



US00D741473S

(12) **United States Design Patent**
Taylor et al.

(10) **Patent No.:** **US D741,473 S**
(45) **Date of Patent:** **** Oct. 20, 2015**

- (54) **CONNECTOR FOR VENTILATOR**
- (71) Applicant: **ResMed Paris SAS**, Moissy Cramayal (FR)
- (72) Inventors: **Kenneth Taylor**, Sydney (AU);
Benjamin John Leavens, Sydney (AU);
Jonathan Huw Thomas, Sydney (AU)
- (73) Assignee: **ResMed Paris SAS**, Moissy Cramayal (FR)
- (**) Term: **14 Years**
- (21) Appl. No.: **29/502,301**
- (22) Filed: **Sep. 15, 2014**

Related U.S. Application Data

- (62) Division of application No. 29/423,253, filed on May 30, 2012, now Pat. No. Des. 716,439.
- (51) **LOC (10) Cl.** **24-02**
- (52) **U.S. Cl.**
USPC **D24/110**
- (58) **Field of Classification Search**
USPC D24/110
CPC . A61M 15/0086; A61M 16/08; A61M 16/20;
A61M 16/208; A61M 16/209; A62B 9/02
See application file for complete search history.

(56) **References Cited**

U.S. PATENT DOCUMENTS

3,799,164	A *	3/1974	Rollins	128/205.25
4,557,261	A	12/1985	Ru/Gheimer		
5,036,840	A *	8/1991	Wallace	128/200.21
5,348,000	A *	9/1994	Teves	128/204.18
5,546,930	A *	8/1996	Wikefeldt	128/201.13
6,014,972	A	1/2000	Sladek		
6,102,038	A	8/2000	DeVries		
6,209,539	B1	4/2001	Loescher et al.		

6,394,092	B1	5/2002	Barrett et al.		
6,571,798	B1 *	6/2003	Thornton	128/206.21
6,579,254	B1	6/2003	McNary et al.		
6,705,316	B2 *	3/2004	Blythe et al.	128/204.18
6,772,761	B1 *	8/2004	Rucker, Jr.	128/207.14
7,082,944	B2	8/2006	Gossweiler		
2005/0139211	A1	6/2005	Alston et al.		
2010/0139653	A1	6/2010	Schloss		

OTHER PUBLICATIONS

Parent; U.S. Appl. No. 29/423,253, filed May 30, 2012, Taylor et al.

* cited by examiner

Primary Examiner — Ian Simmons

Assistant Examiner — Richelle G Shelton

(74) *Attorney, Agent, or Firm* — Nixon & Vanderhye P.C.

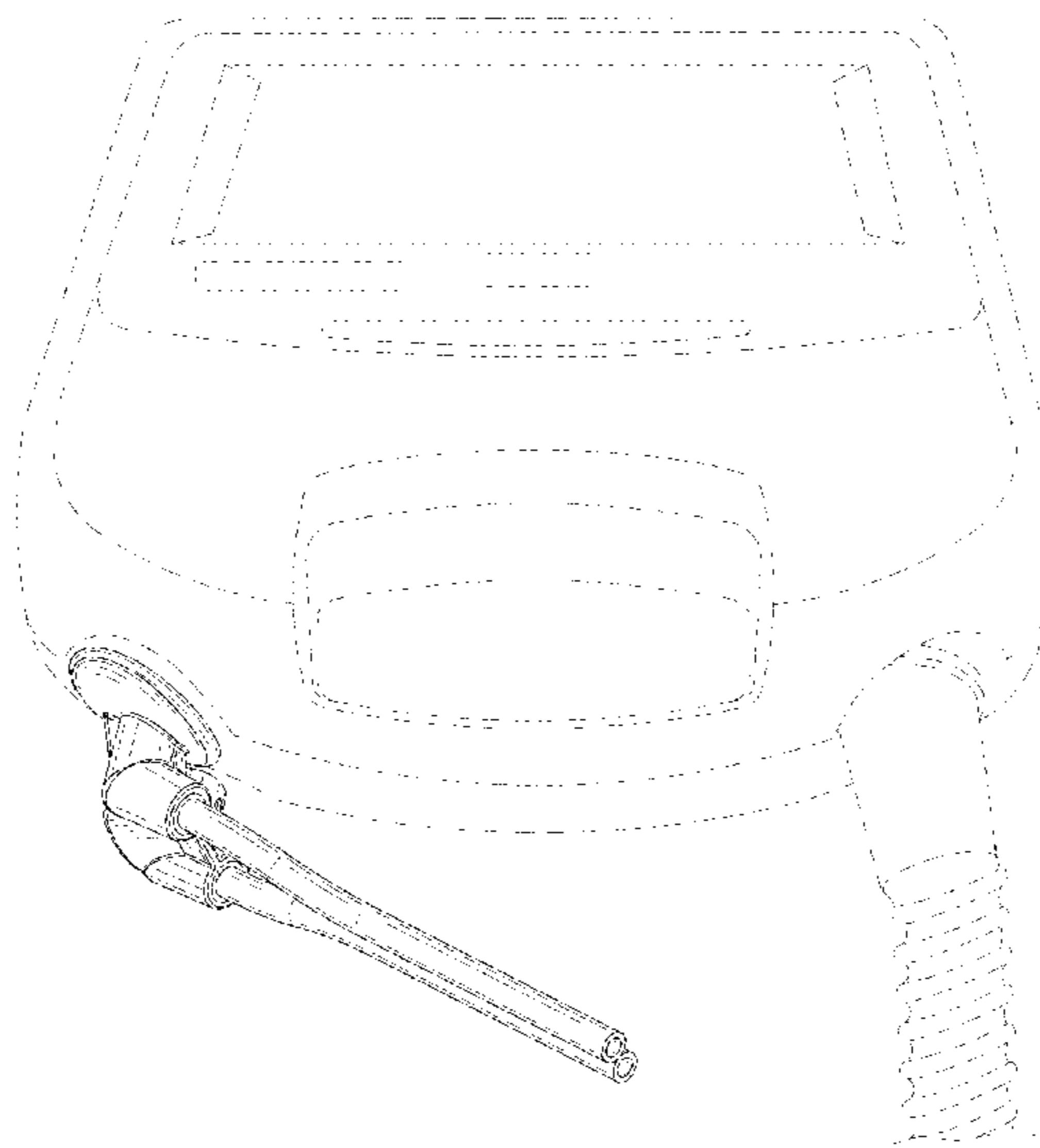
(57) **CLAIM**

The ornamental design for a connector for ventilator, as shown and described.

DESCRIPTION

FIG. 1 is a front perspective view of a connector for ventilator (with tubes) showing a new ornamental design;
 FIG. 2 is a front view thereof;
 FIG. 3 is a rear view thereof;
 FIG. 4 is a top view thereof;
 FIG. 5 is a bottom view thereof;
 FIG. 6 is a right side view thereof;
 FIG. 7 is a left side view thereof;
 FIG. 8 is another front perspective view;
 FIG. 9 is a rear perspective view;
 FIG. 10 is yet another rear perspective view;
 FIG. 11 is still another rear perspective view; and,
 FIG. 12 is a front perspective view thereof in position on a sample ventilator.
 The broken lines in FIGS. 3 and 10 represent surrounding environment and do not form a part of the claimed design.

1 Claim, 7 Drawing Sheets



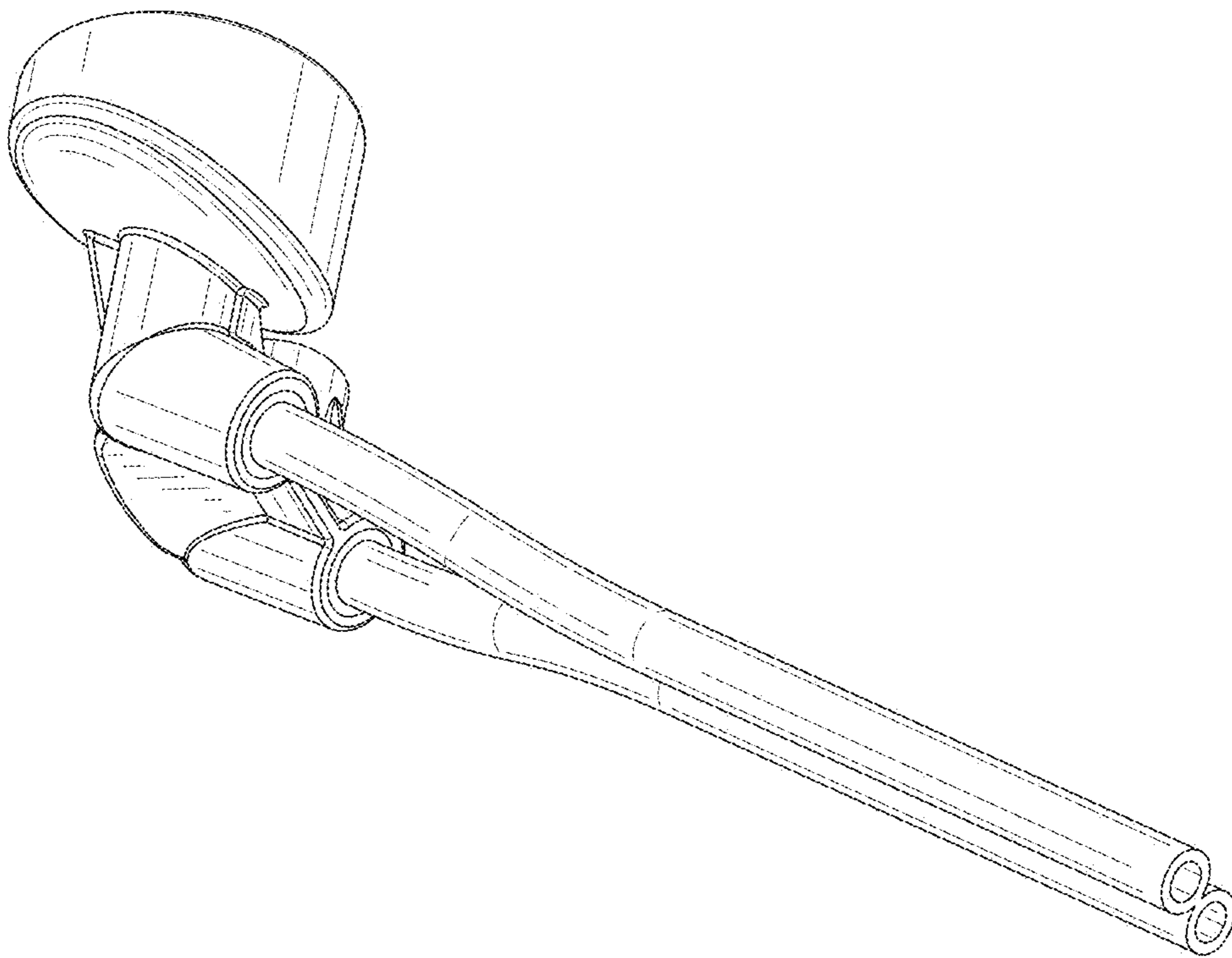


FIG. 1

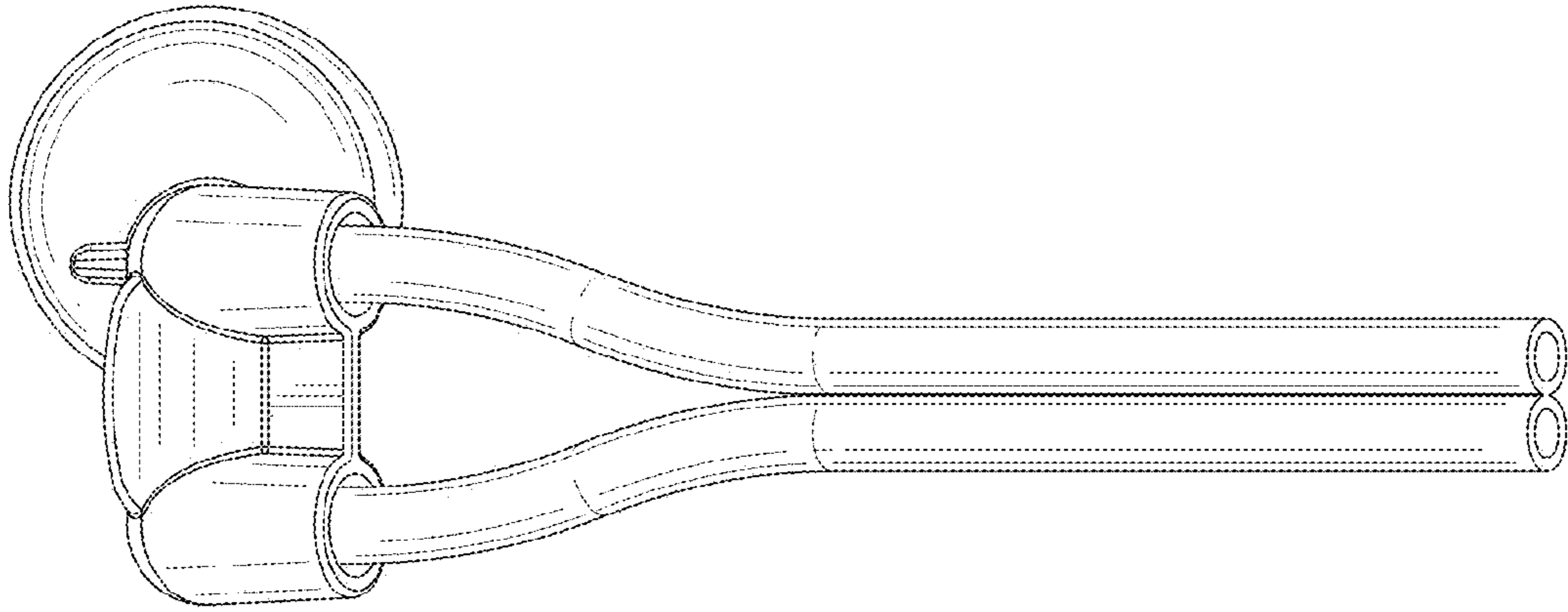


FIG. 2

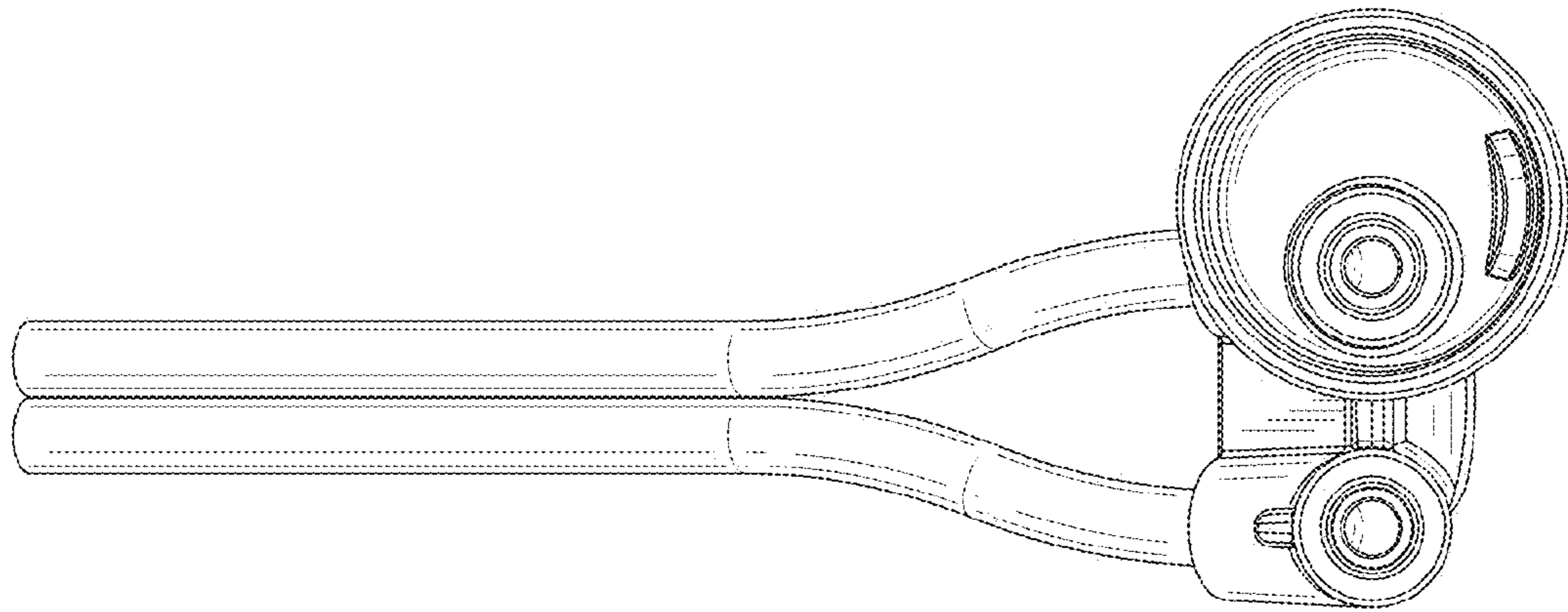


FIG. 3

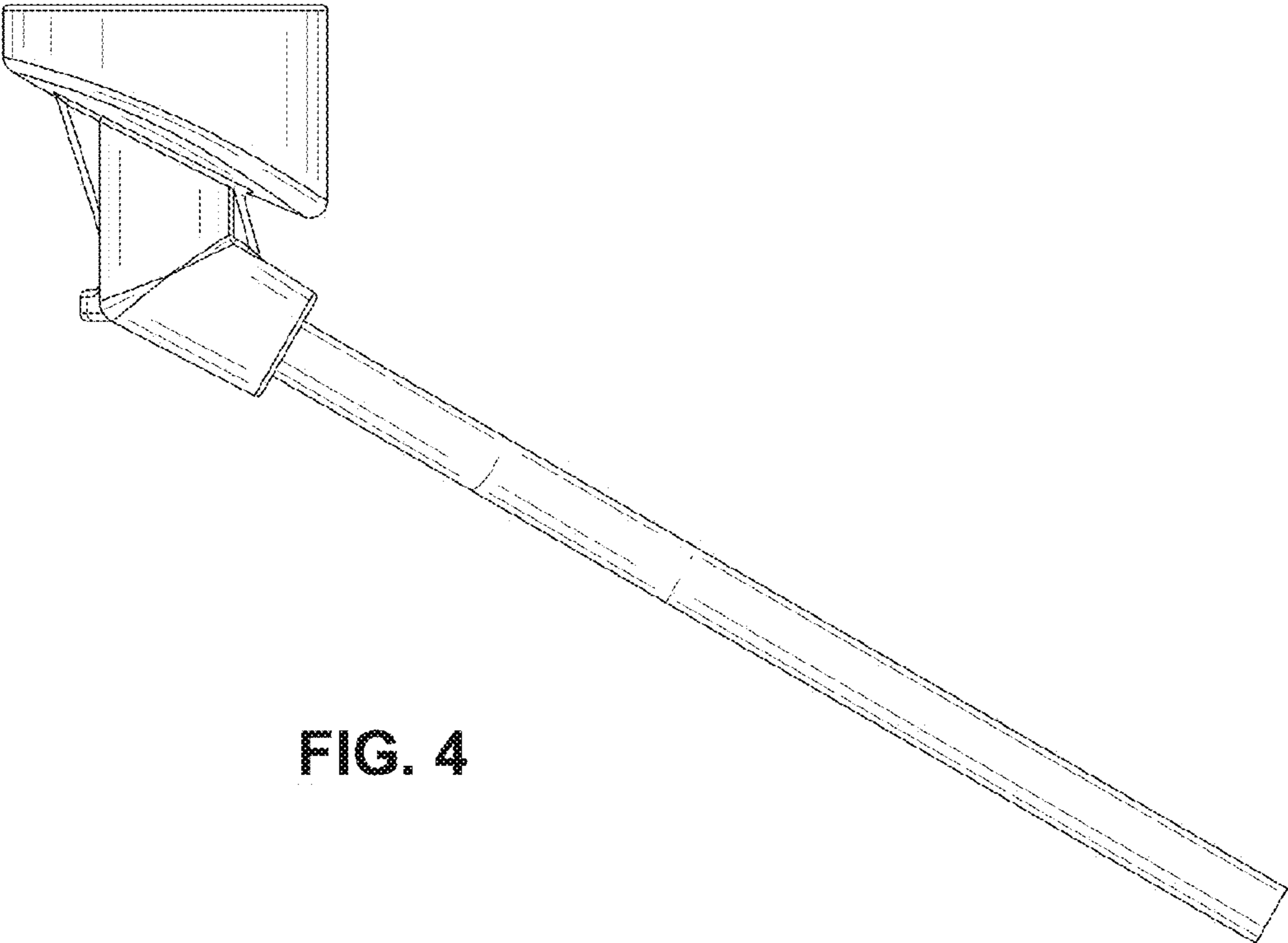


FIG. 4

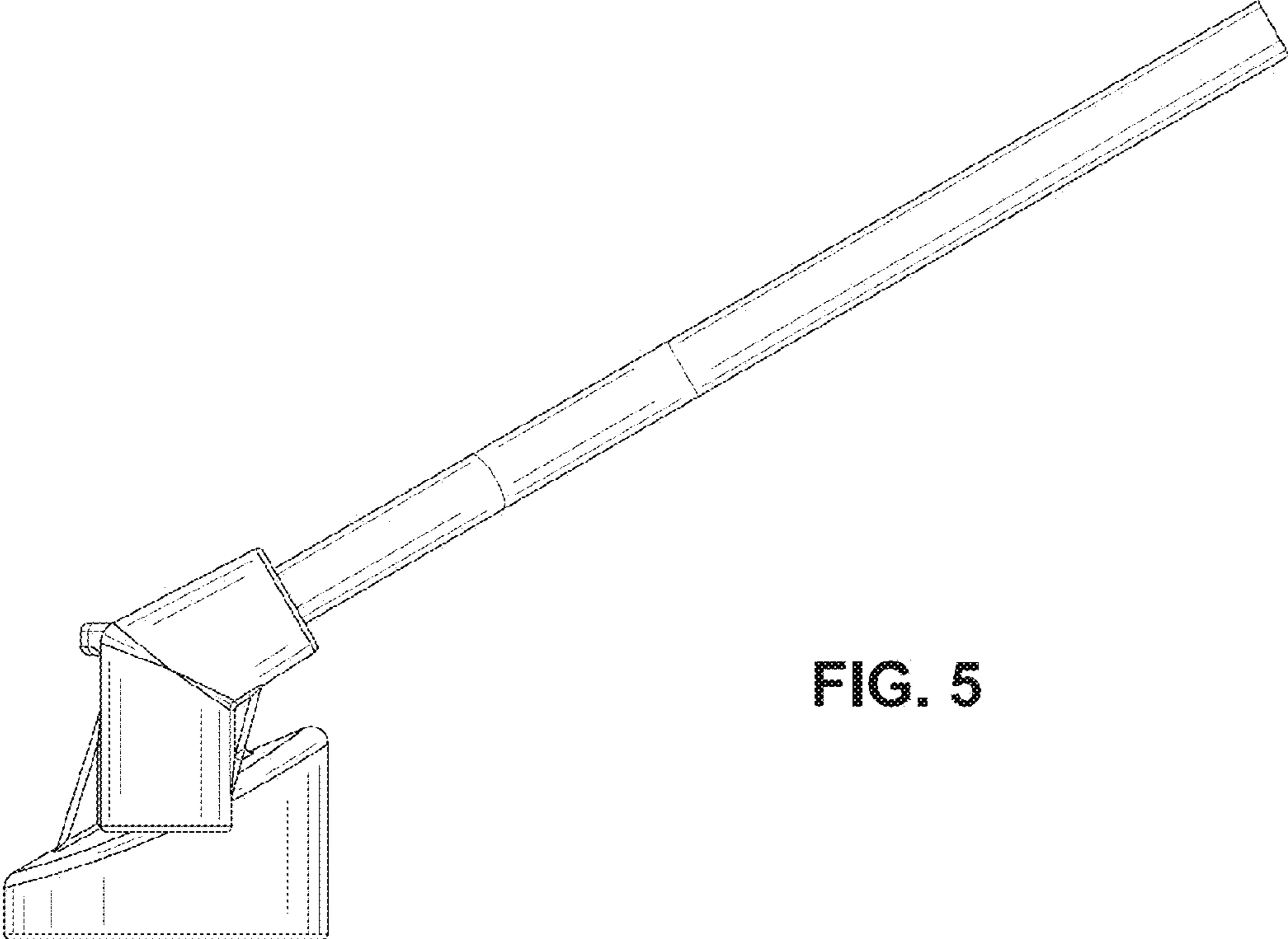


FIG. 5

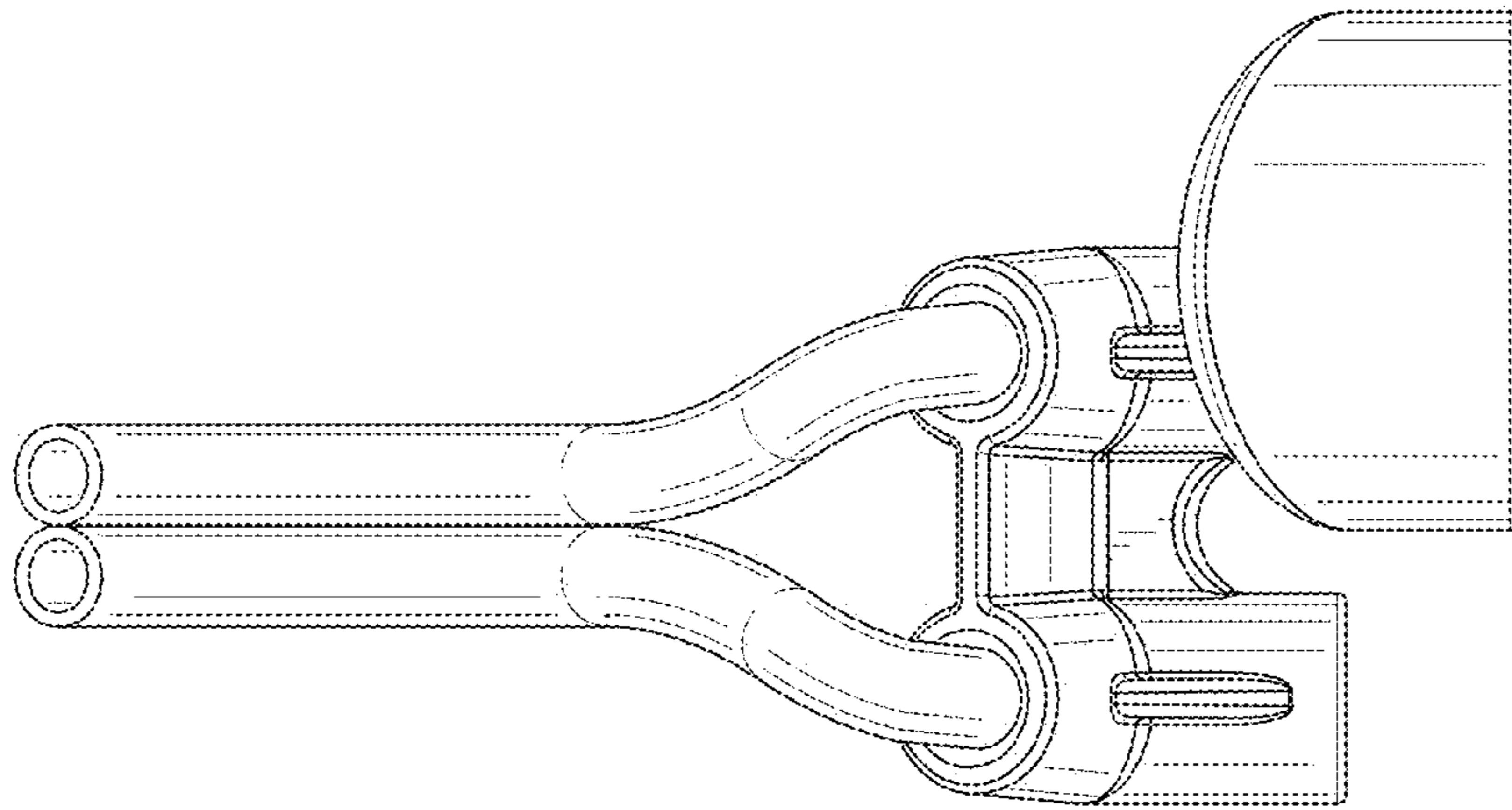


FIG. 6

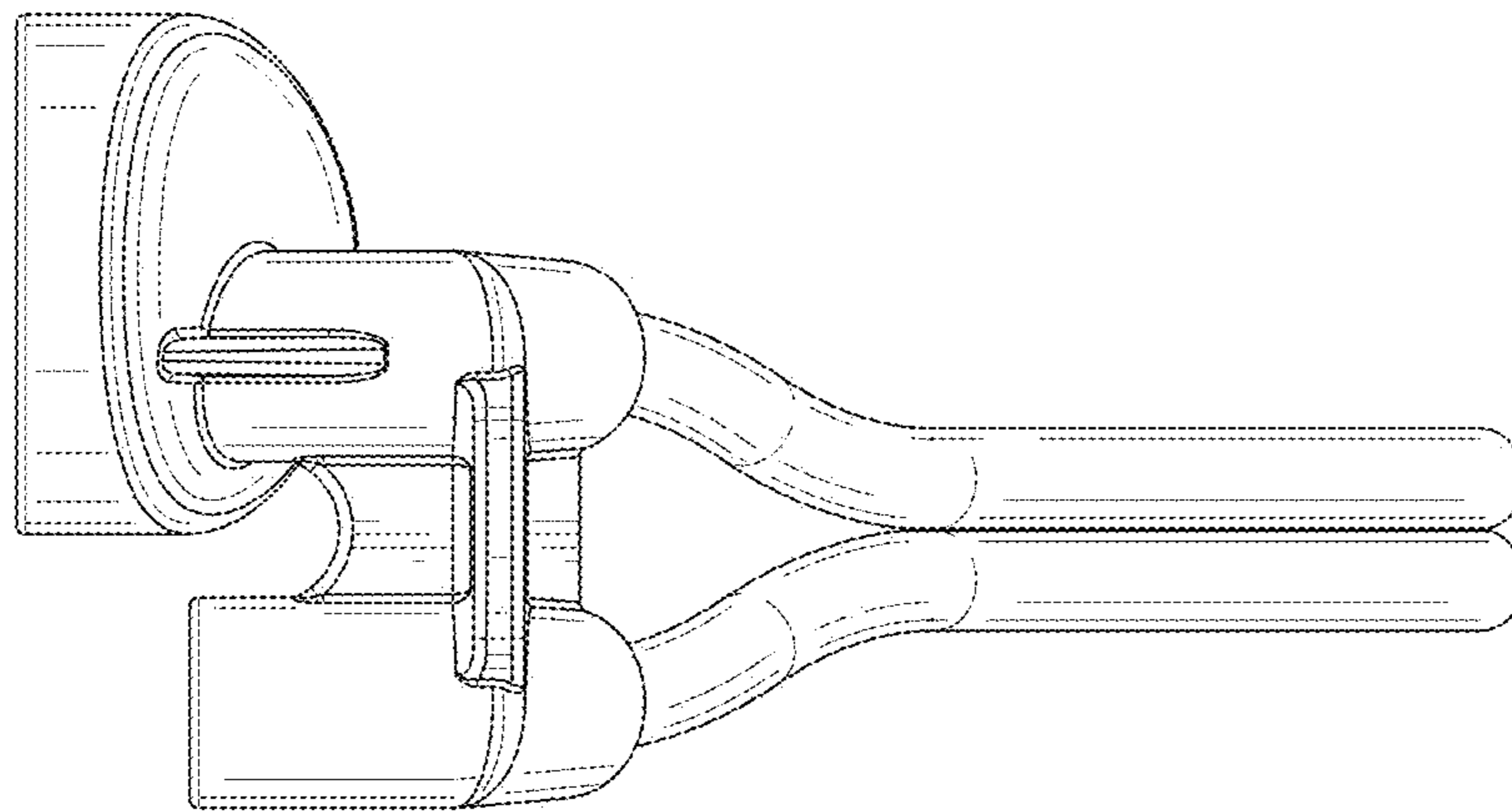


FIG. 7

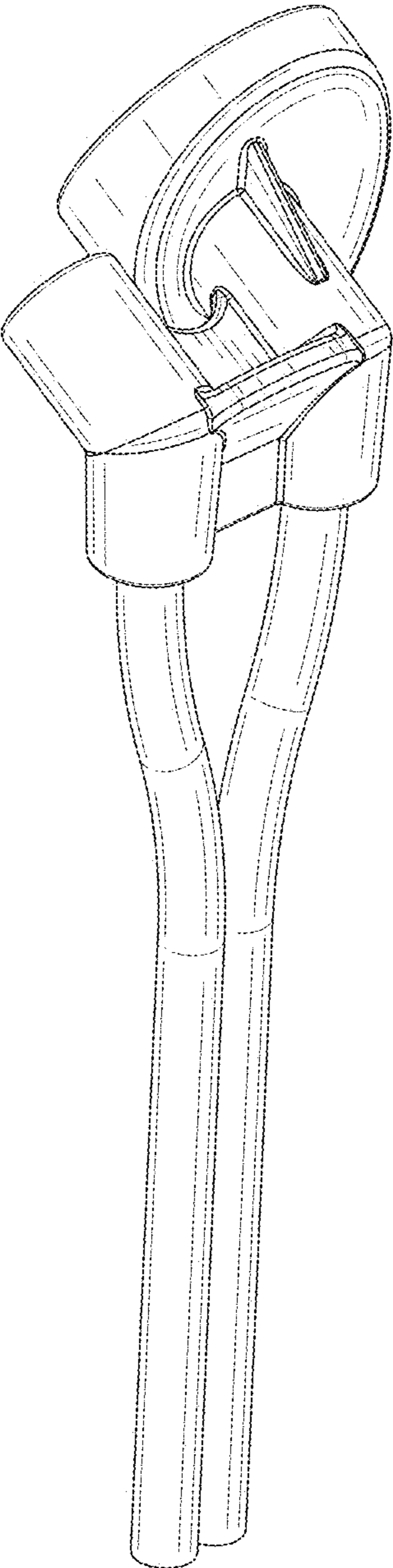


FIG. 8

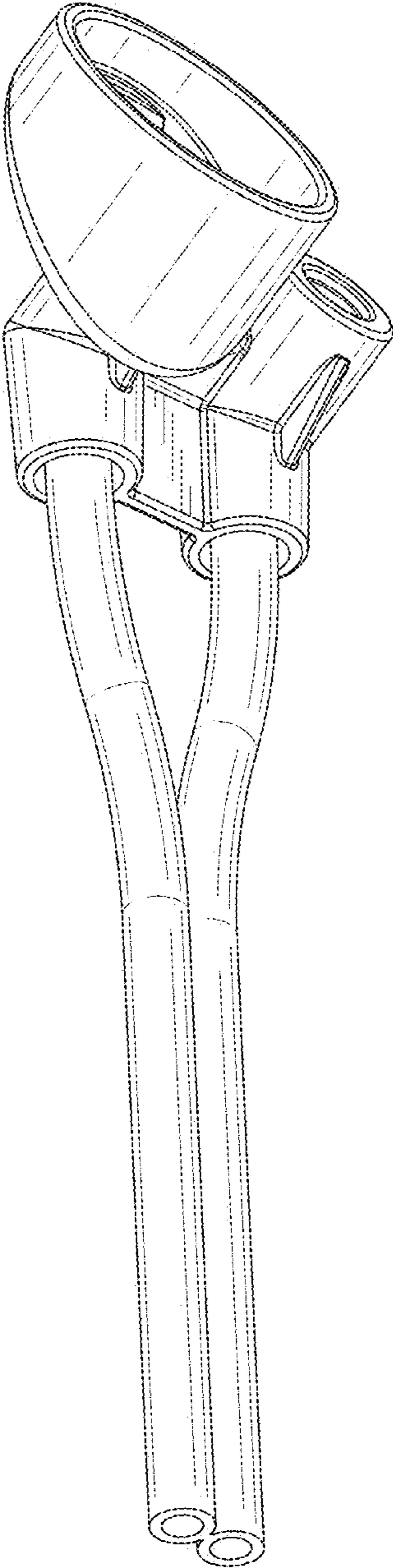


FIG. 9

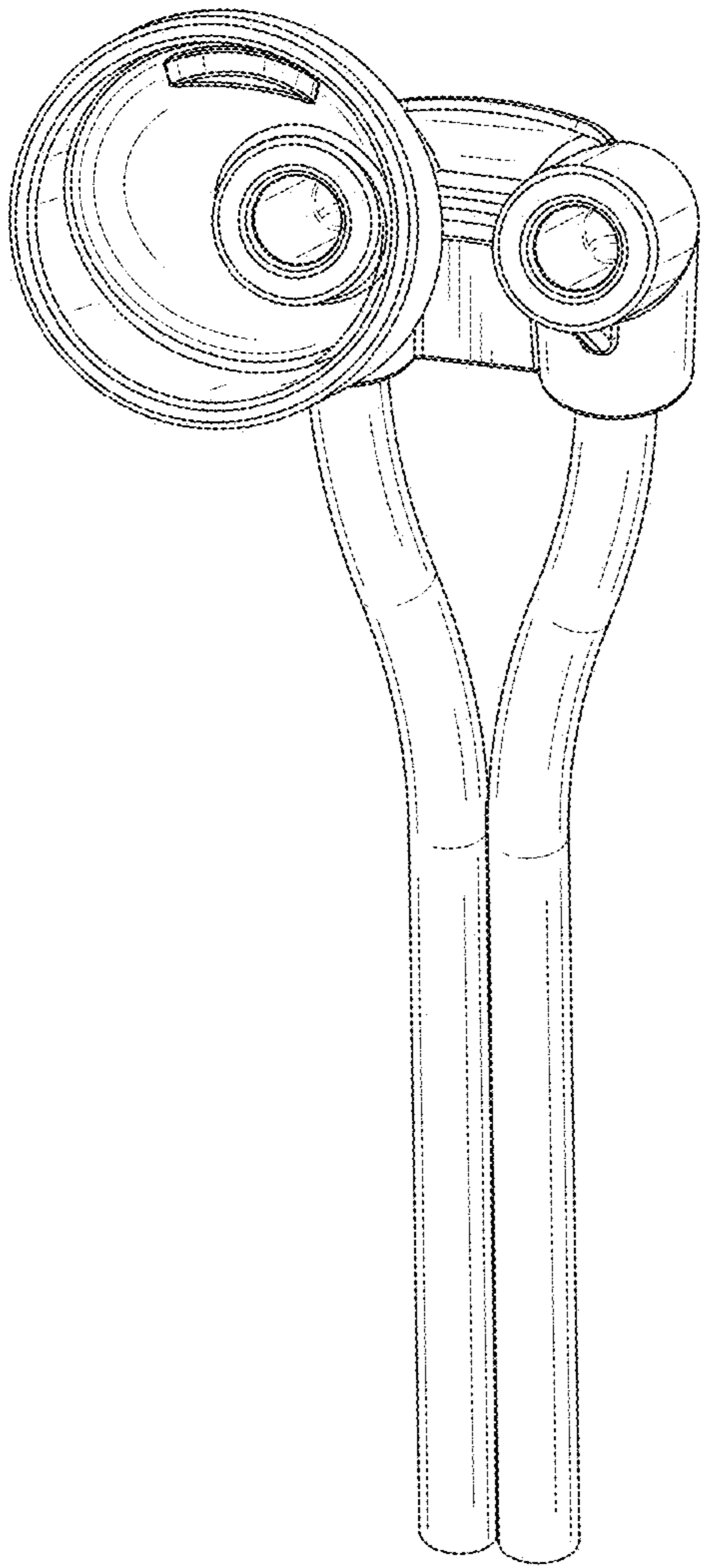


FIG. 10

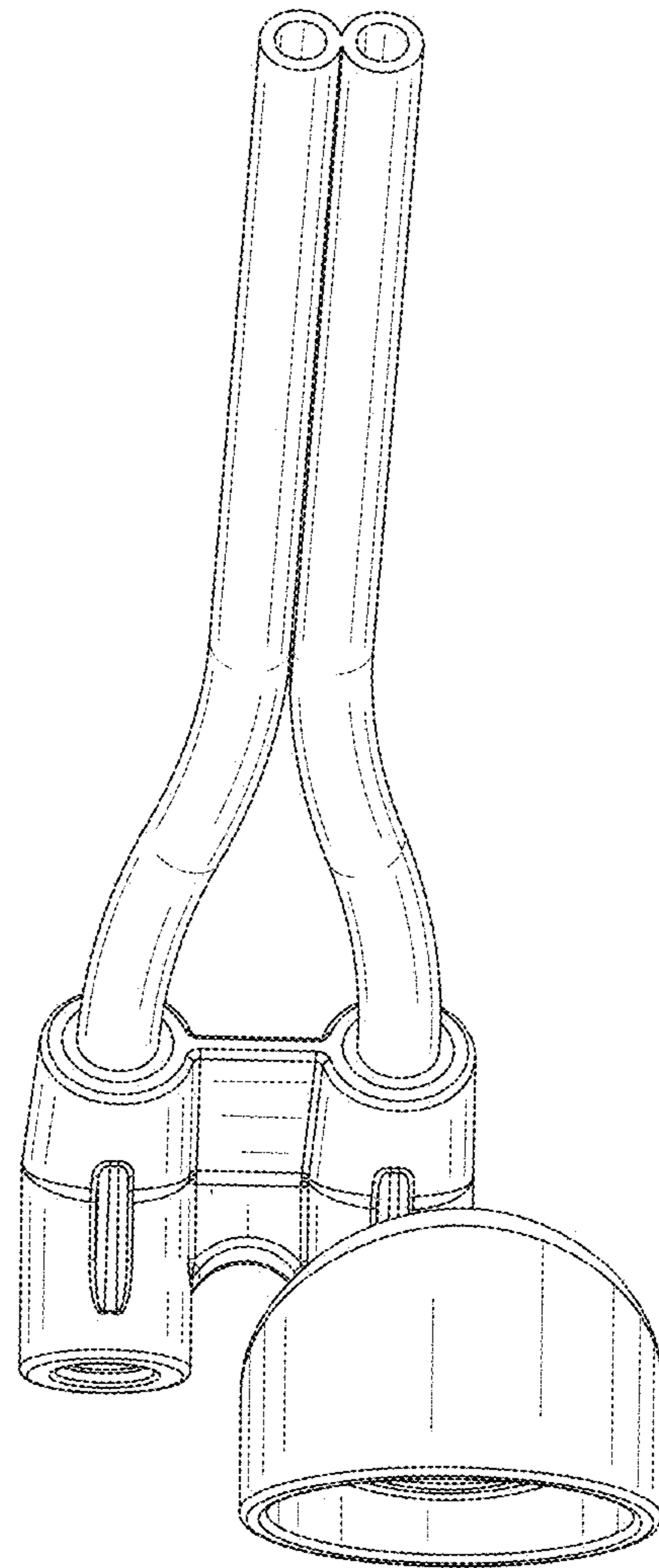


FIG. 11

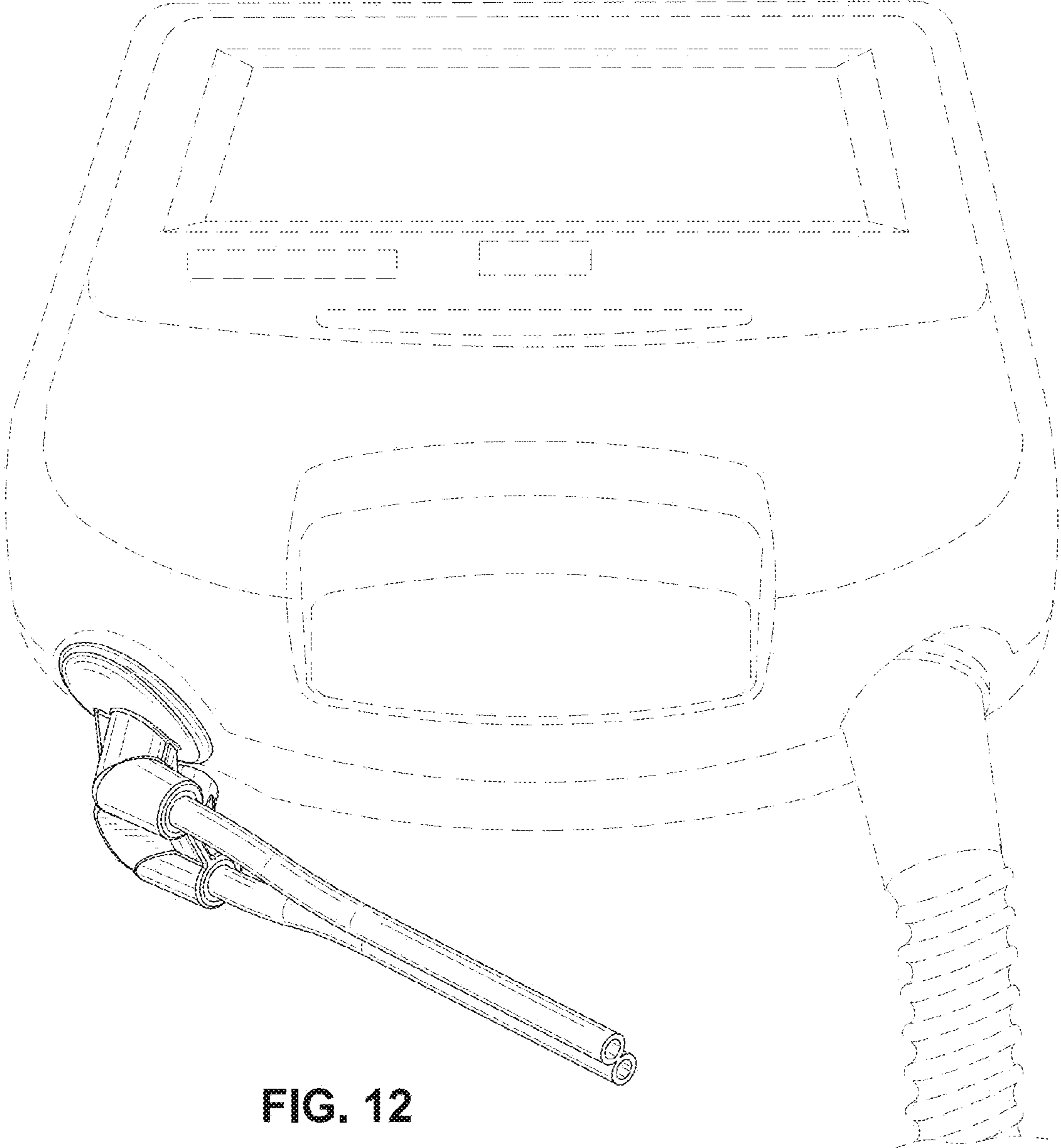


FIG. 12