



US00D741472S

(12) **United States Design Patent**
Yotani et al.

(10) **Patent No.:** **US D741,472 S**
(45) **Date of Patent:** **** Oct. 20, 2015**

(54) **COLUMN CONTAINER**

(56) **References Cited**

(71) Applicant: **SEKISUI MEDICAL CO., LTD.**,
Tokyo (JP)
(72) Inventors: **Takuya Yotani**, Tokyo (JP); **Hiroaki Taira**, Tokyo (JP); **Yuriko Yamada**, Tokyo (JP); **Hideki Muraki**, Tokyo (JP)
(73) Assignee: **SEKISUI MEDICAL CO., LTD.**,
Tokyo (JP)

U.S. PATENT DOCUMENTS

D320,949 S * 10/1991 Kopf D10/81
D500,856 S * 1/2005 Hellstrom D24/224
D579,542 S * 10/2008 Ranalletta et al. D24/108
D600,579 S * 9/2009 Wounder D10/81
D624,174 S * 9/2010 Omori et al. D24/108
2005/0247632 A1 * 11/2005 Ellis et al. 210/656
2014/0217031 A1 * 8/2014 Wang et al. 210/656
2014/0367338 A1 * 12/2014 Gu et al. 210/656

* cited by examiner

(**) Term: **14 Years**

Primary Examiner — Wan Laymon
Assistant Examiner — Mark Booker

(21) Appl. No.: **29/480,097**

(74) *Attorney, Agent, or Firm* — Bacon & Thomas, PLLC

(22) Filed: **Jan. 23, 2014**

(57) **CLAIM**

The ornamental design for column container, as shown and described.

(30) **Foreign Application Priority Data**

DESCRIPTION

Sep. 27, 2013 (JP) 2013-022627

(51) **LOC (10) Cl.** **24-01**

(52) **U.S. Cl.**
USPC **D24/108**

(58) **Field of Classification Search**
USPC D24/108, 216, 219, 223, 224, 231, 232,
D24/233, 186, 107; D9/435, 445, 452, 454;
D10/81, 103; 73/863.01, 863.02,
73/863.03, 863.31, 863.32; 96/102, 105,
96/107; 210/635, 656, 657, 198.2;
422/102, 99, 58; 436/161; 530/413
See application file for complete search history.

FIG. 1 is a perspective view of the Invention.
FIG. 2 is a perspective view of the Invention showing the cap off.
FIG. 3 is a front view of the Invention.
FIG. 4 is a rear view of the Invention.
FIG. 5 is a top plan view of the Invention.
FIG. 6 is a bottom plan view of the Invention.
FIG. 7 is a right side view of the Invention.
FIG. 8 is a left side view of the Invention; and,
FIG. 9 is a vertical sectional view of the Invention along line A-A of FIG. 5.

1 Claim, 9 Drawing Sheets

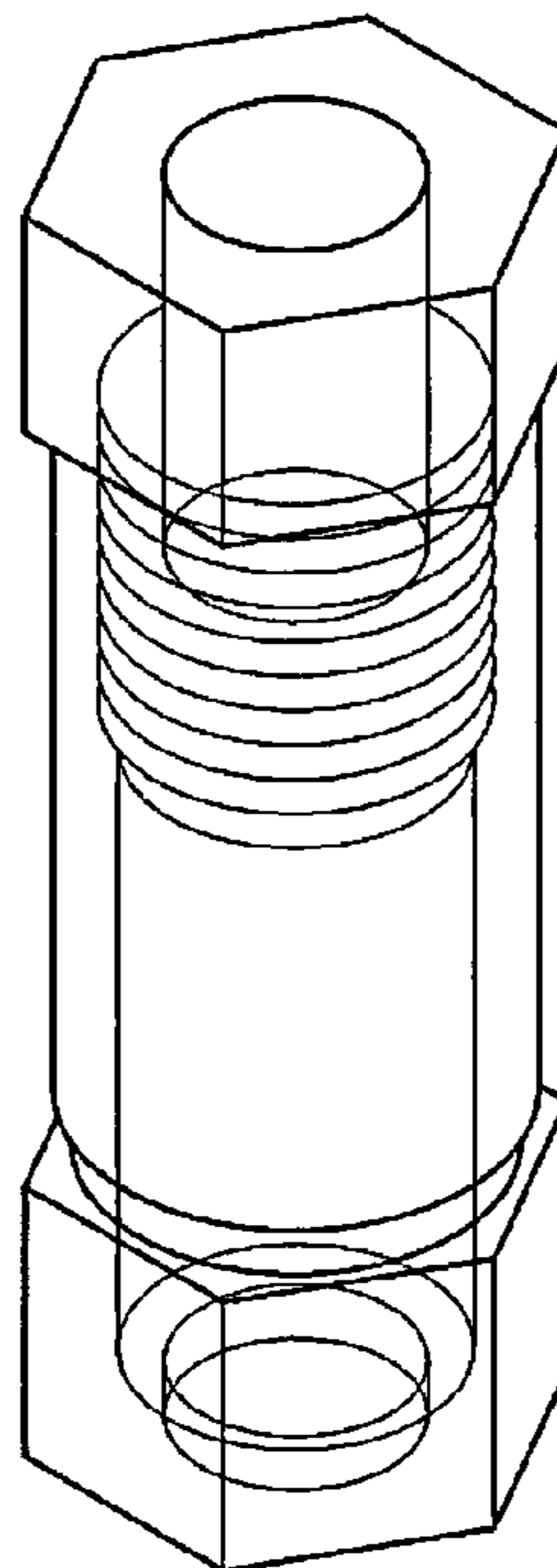


Fig. 1

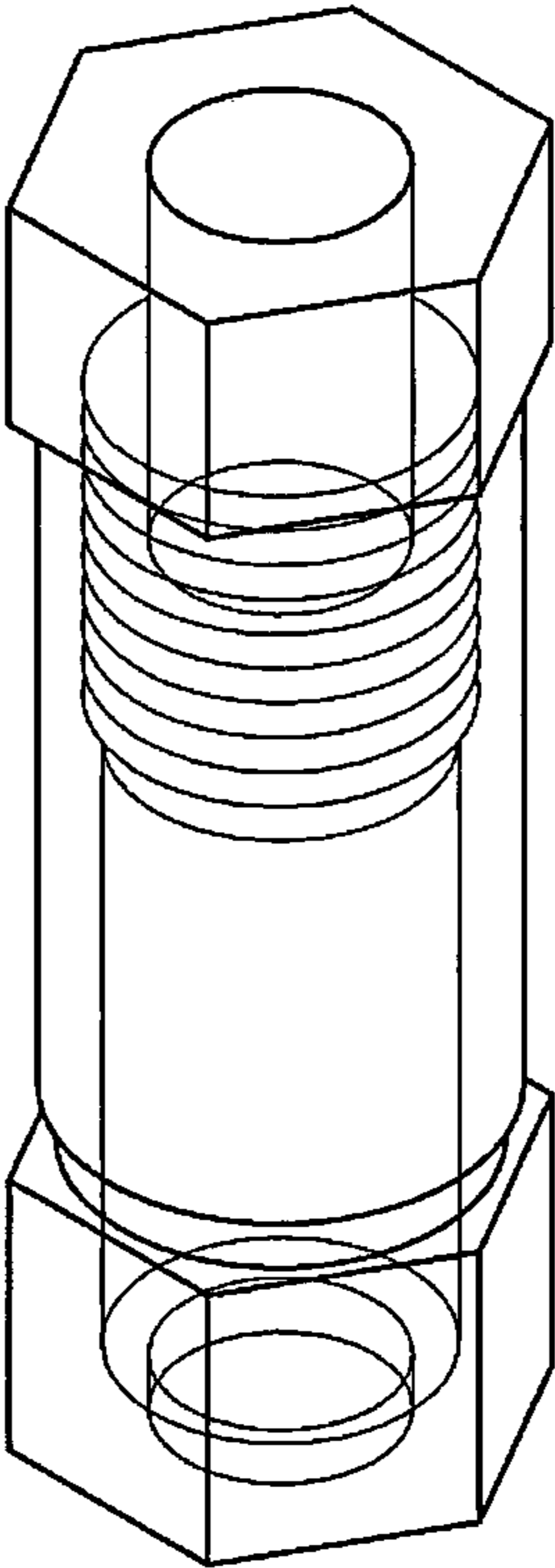


Fig. 2

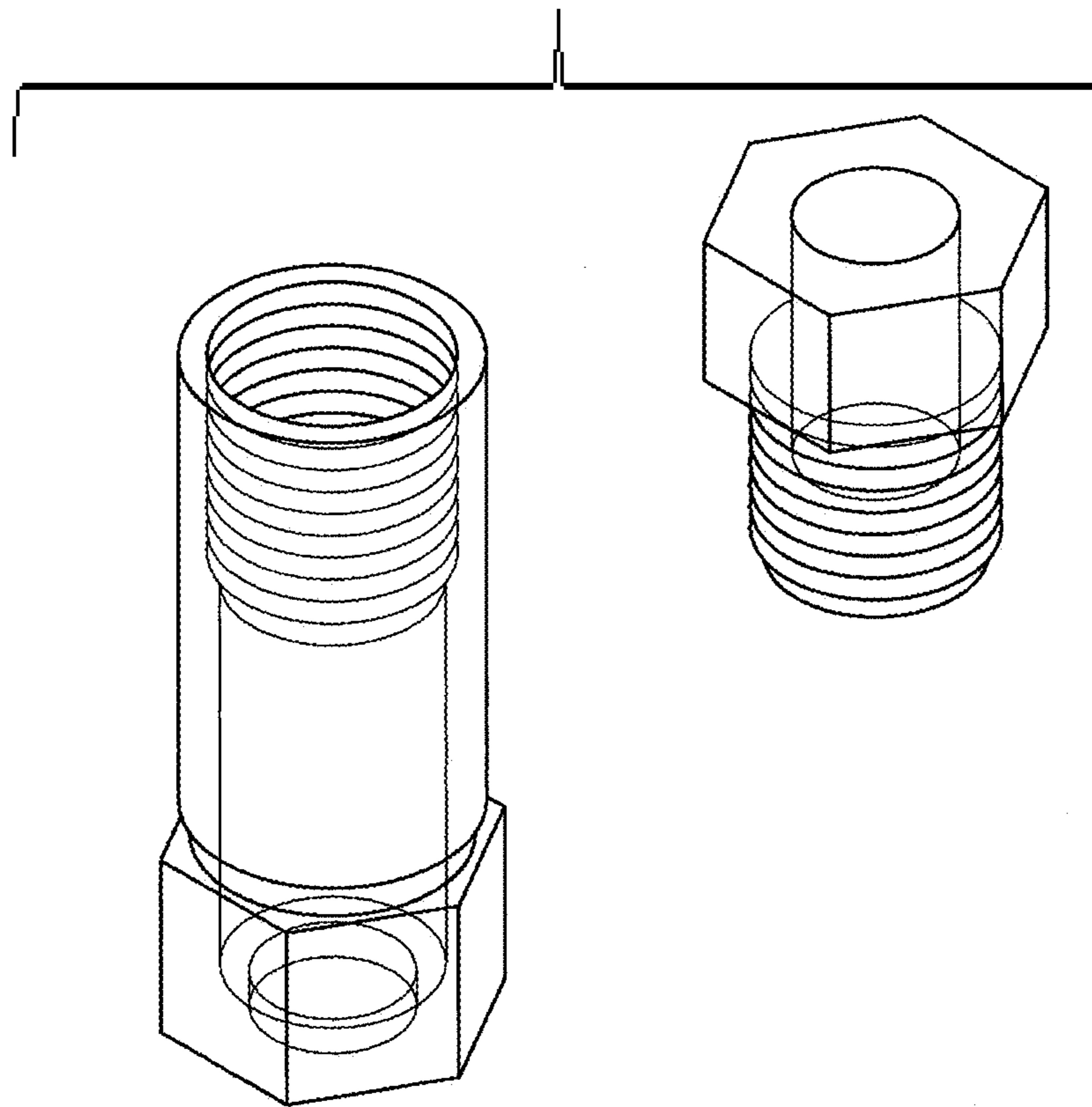


Fig. 3

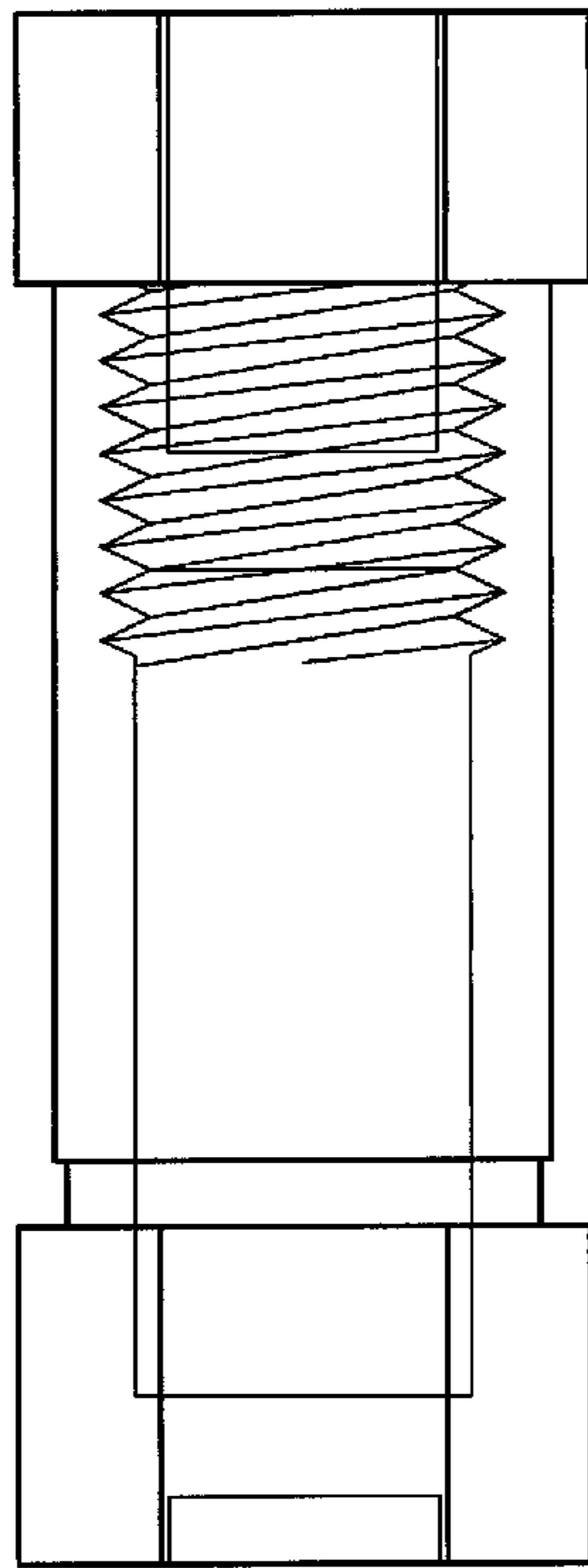


Fig. 4

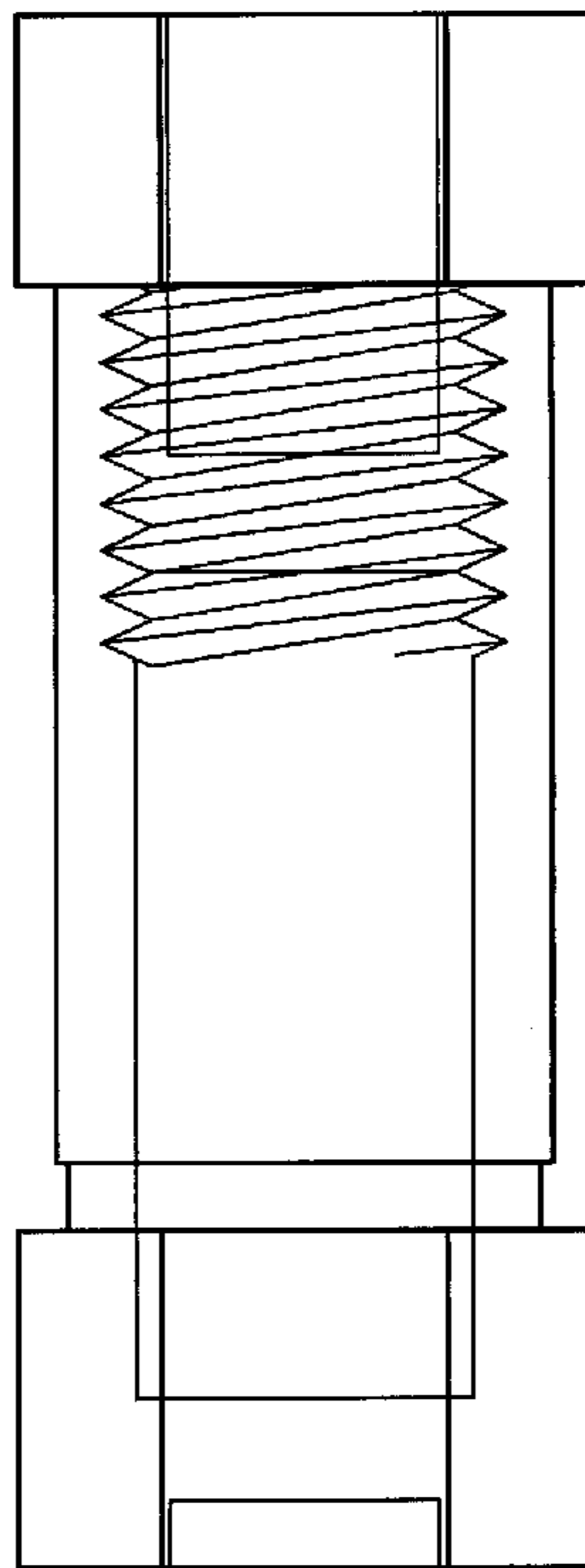


Fig. 5

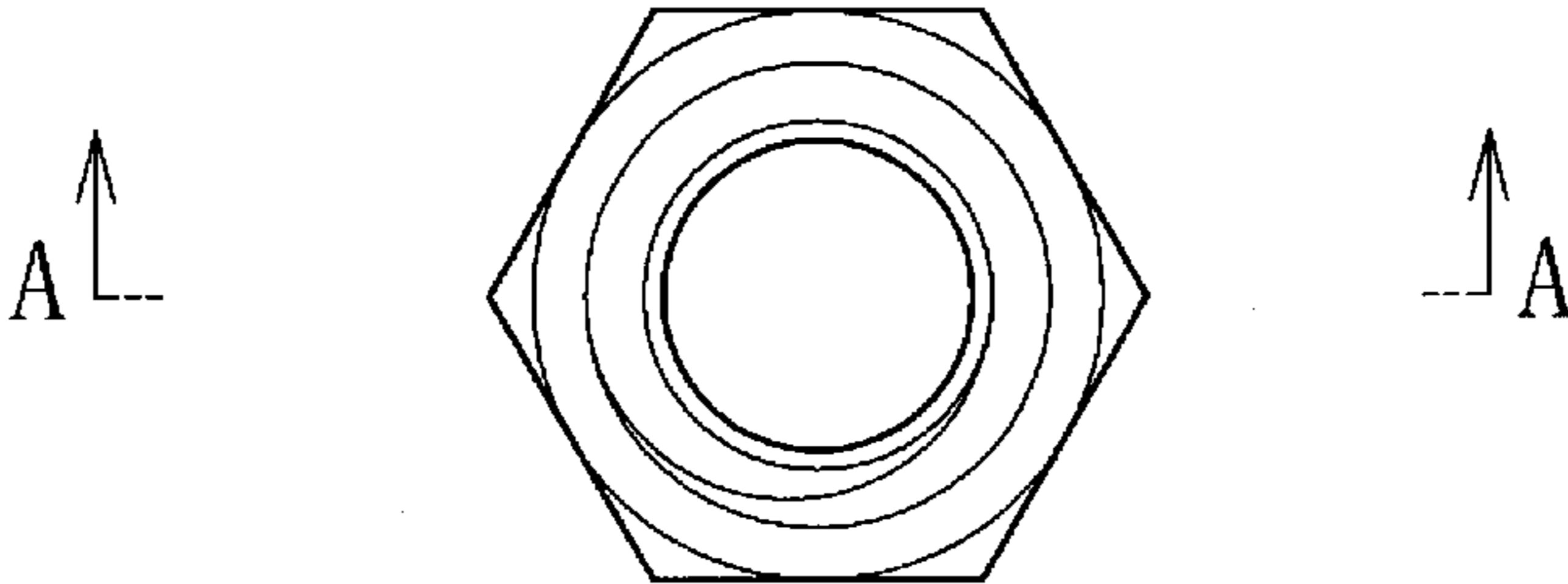


Fig. 6

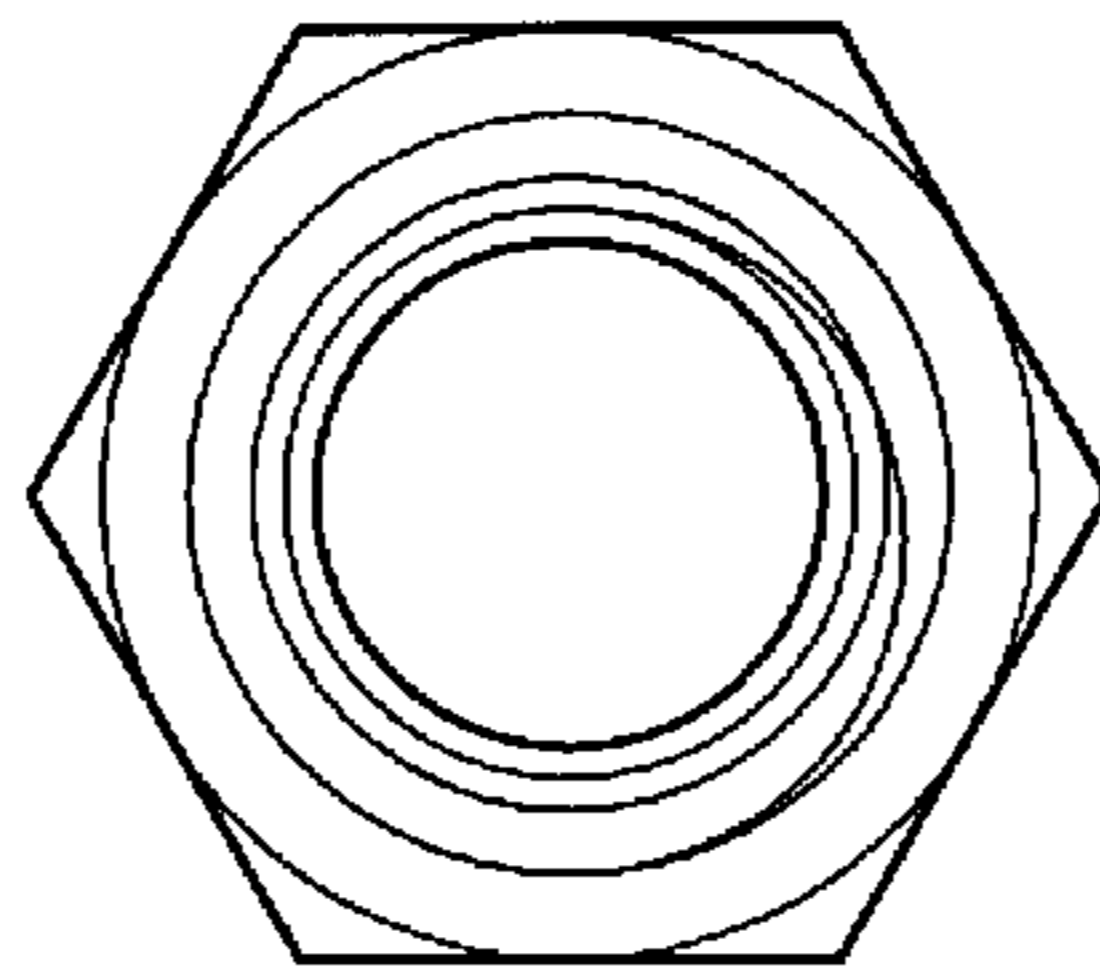


Fig. 7

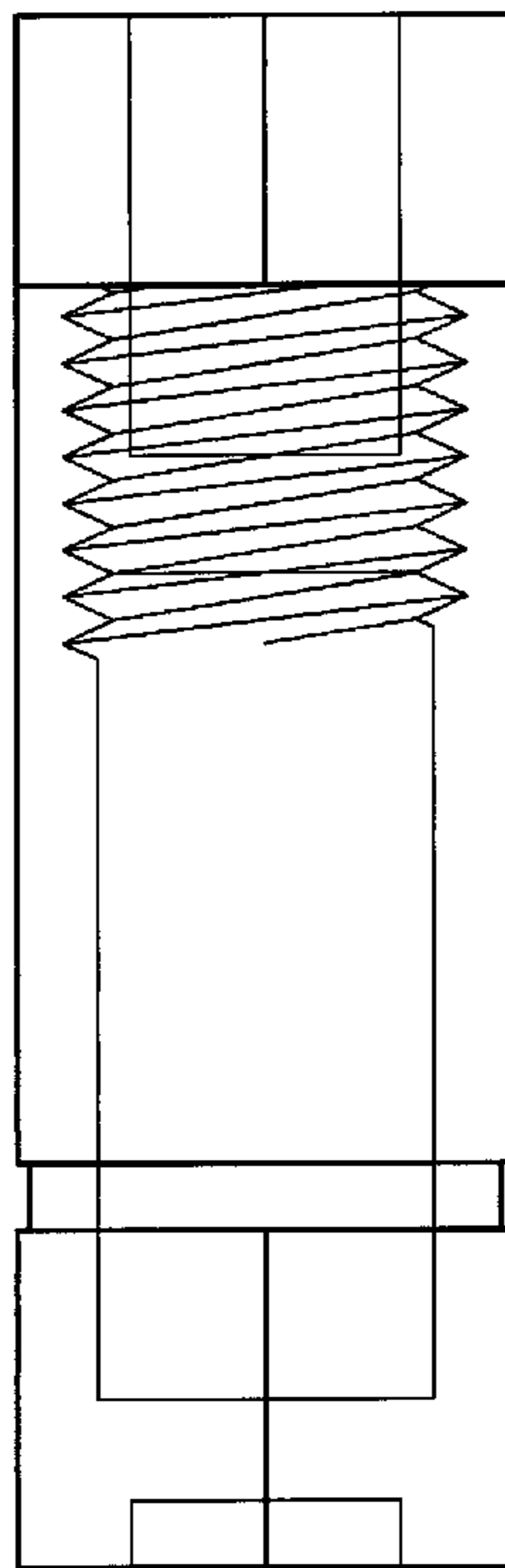


Fig. 8

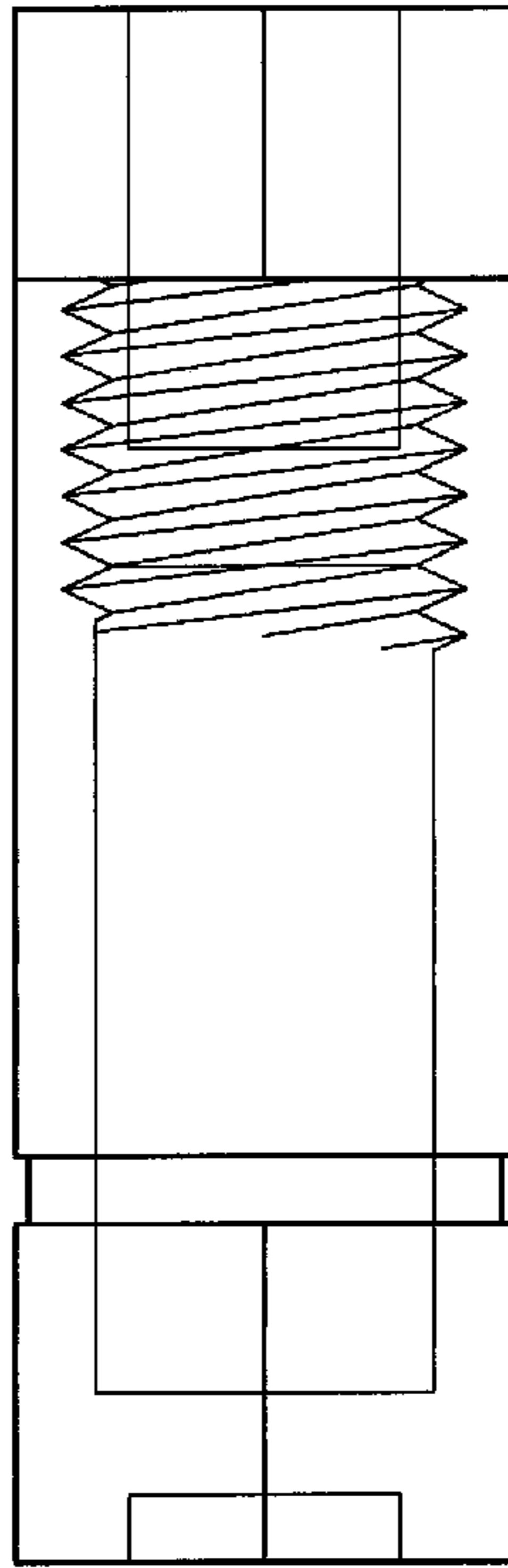


Fig. 9

