



US00D741471S

(12) **United States Design Patent**
LaGratta

(10) **Patent No.:** **US D741,471 S**

(45) **Date of Patent:** **** Oct. 20, 2015**

(54) **CYLINDRICAL TABLET HAVING SEPARABLE MATING COMPONENTS**

(71) Applicant: **John F. LaGratta**, New York, NY (US)

(72) Inventor: **John F. LaGratta**, New York, NY (US)

(**) Term: **14 Years**

(21) Appl. No.: **29/468,635**

(22) Filed: **Oct. 1, 2013**

(51) **LOC (10) Cl.** **24-01**

(52) **U.S. Cl.**

USPC **D24/101**

(58) **Field of Classification Search**

USPC D24/100-104; D1/100, 127, 130;
D23/207, 208; 604/287, 288, 403;
206/1.5, 528, 530-539; 424/10.2, 10.3,
424/408, 438, 439, 451, 472, 473, 475,
424/453-456, 464-469; D21/470, 479,
D21/486-488, 386, 572; D4/122
CPC A61K 9/20; A61K 9/209; A61K 9/2077;
A61K 9/5078; A61K 9/2081; A61K 9/4891;
A61K 9/167; A61K 8/11; B29L 2031/328;
B29L 2031/737; B29L 2023/00; B29L
2023/22

See application file for complete search history.

(56) **References Cited**

U.S. PATENT DOCUMENTS

1,855,145 A 4/1932 Jones
3,892,867 A 7/1975 Schoonman
4,450,957 A * 5/1984 Cohen 206/220
4,755,180 A * 7/1988 Ayer et al. 604/892.1
4,793,997 A * 12/1988 Drake et al. 424/426
4,839,177 A * 6/1989 Colombo et al. 424/482
4,975,295 A 12/1990 Sierra
D335,704 S * 5/1993 Casberg D24/101
D431,320 S * 9/2000 Beaujean D28/8.1

(Continued)

FOREIGN PATENT DOCUMENTS

CA 02300018 8/2000
EP 0288149 3/1988

(Continued)

OTHER PUBLICATIONS

C1: "Candy Lego," (Publication date: Date Unknown) Economy Candy. Retrieved Oct. 29, 2013 from http://www.economycandy.com/index.php?dispatch=products.view&product_id=1568.

C2: "Cookie Press-Fit Construction Kit," (Publication date: Date Unknown) Massachusetts Institute of Technology. Retrieved Oct. 29, 2013 from <http://fab.cba.mit.edu/classes/863.11/people/janice.wang/MAS863.11Site/Press-Fit.html>.

(Continued)

Primary Examiner — Ian Simmons

Assistant Examiner — Charles Hanson

(74) *Attorney, Agent, or Firm* — Proskauer Rose LLP

(57) **CLAIM**

The ornamental design for a cylindrical tablet having separable mating components, as shown and described.

DESCRIPTION

FIG. 1 is a perspective view of a cylindrical tablet having separable mating components, according to my new design. FIG. 2 is a separated perspective view of my cylindrical tablet having separable mating components.

FIG. 3 is a side view of my cylindrical tablet having separable mating components.

FIG. 4 is a front view of my cylindrical tablet having separable mating components.

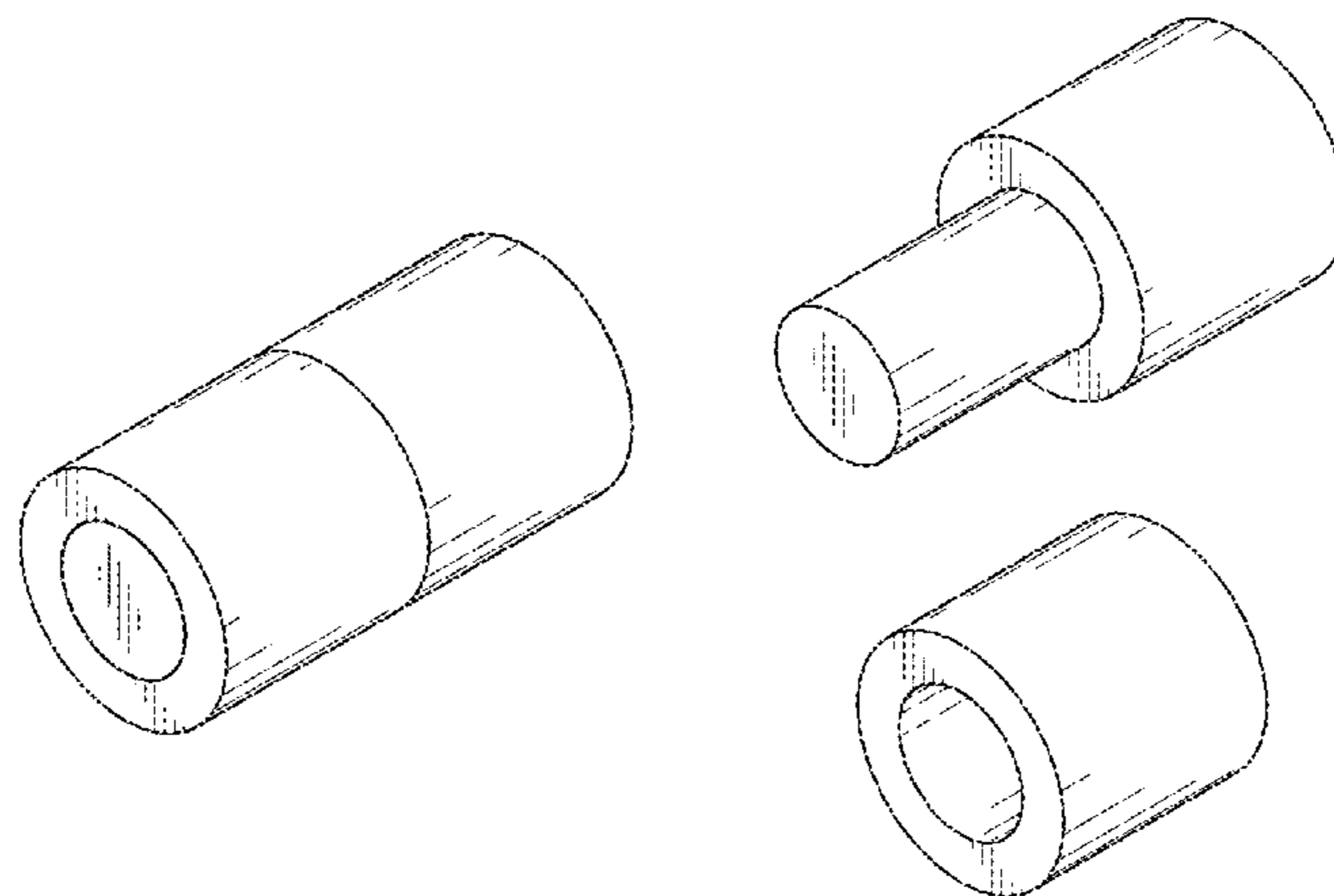
FIG. 5 is a back view of my cylindrical tablet having separable mating components.

FIG. 6 is a separated side view of my cylindrical tablet having separable mating components; and,

FIG. 7 is a perspective view of my cylindrical tablet having separable mating components, wherein the broken line showing multiple mating cylindrical tablets is included for the purpose of illustrating an environment and forms no part of the claimed design.

The dotted and/or broken lines depict environmental features, or the character or contour of the surfaces represented and are not a part of the claimed design.

1 Claim, 3 Drawing Sheets



(56)

References Cited

U.S. PATENT DOCUMENTS

6,315,795 B1 * 11/2001 Scarborough et al. 623/17.11
6,808,727 B2 10/2004 Kemeny
D640,366 S * 6/2011 Olsen D24/101
8,545,883 B2 * 10/2013 Colombo et al. 424/464
2014/0170079 A1 * 6/2014 Arkenau Maric et al. ... 424/10.3

FOREIGN PATENT DOCUMENTS

EP 0421541 10/1990
EP 1413624 4/2004

OTHER PUBLICATIONS

C3: "Designer Diabetes," (Jan. 27, 2011) The Exfoliator. Retrieved Oct. 29, 2013 from http://www.theexfoliator.com/2011_01_01_archive.html.

C4: "Interlocking Rings," (Publication date: Date Unknown) Sandscripts. Retrieved Oct. 29, 2013 from http://www.sandscripts.com/catalog/wedding/gif/interlocking_rings.jpg.

C5: "Sugar Cubes," (Publication date: Date Unknown) Anderson Ranch Arts Center. Retrieved Oct. 29, 2013 from <http://www.andersonranch.org/blog/wp-content/uploads/2011/04/SugarCubes.jpg>.

* cited by examiner

FIG. 1

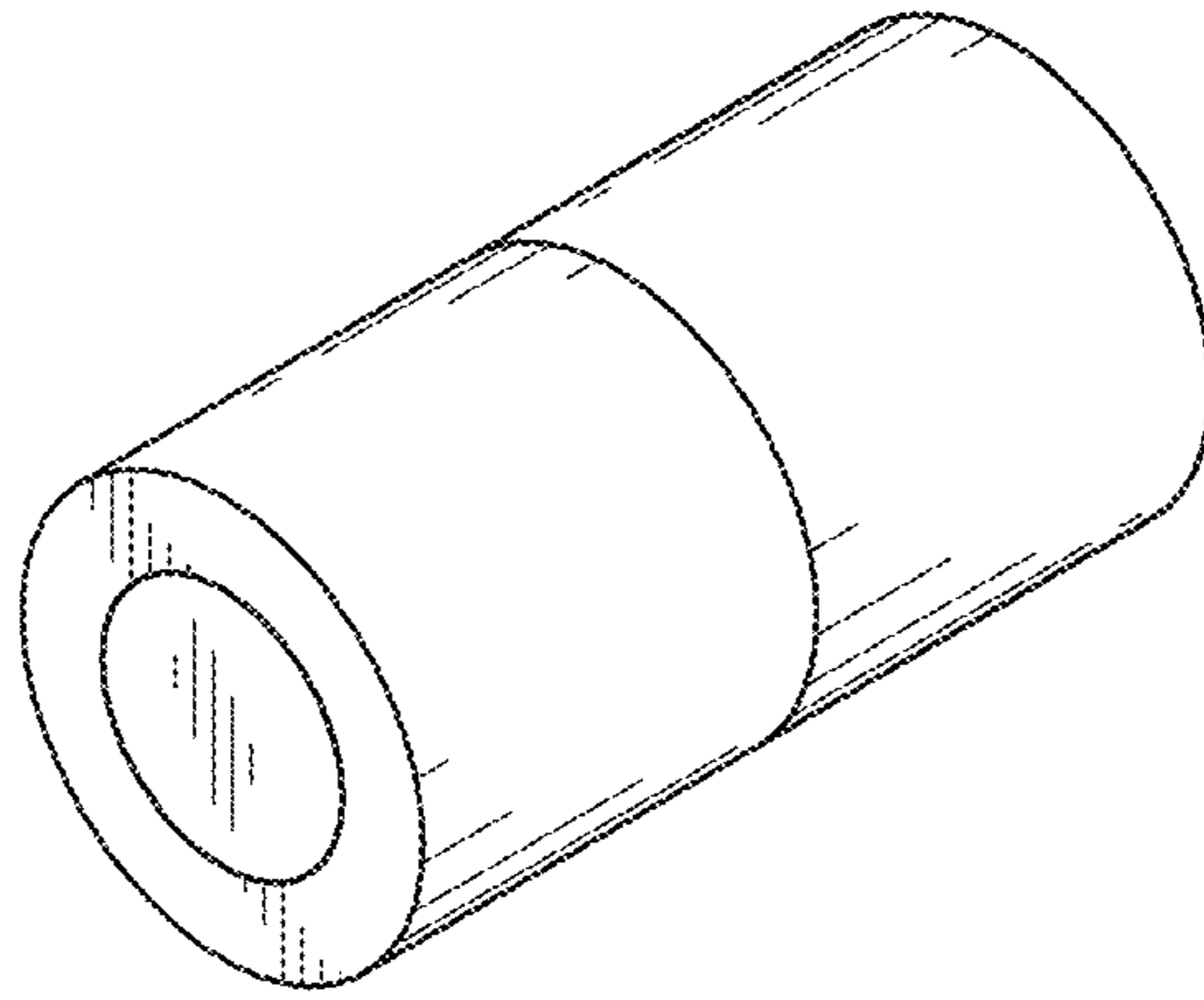


FIG. 2

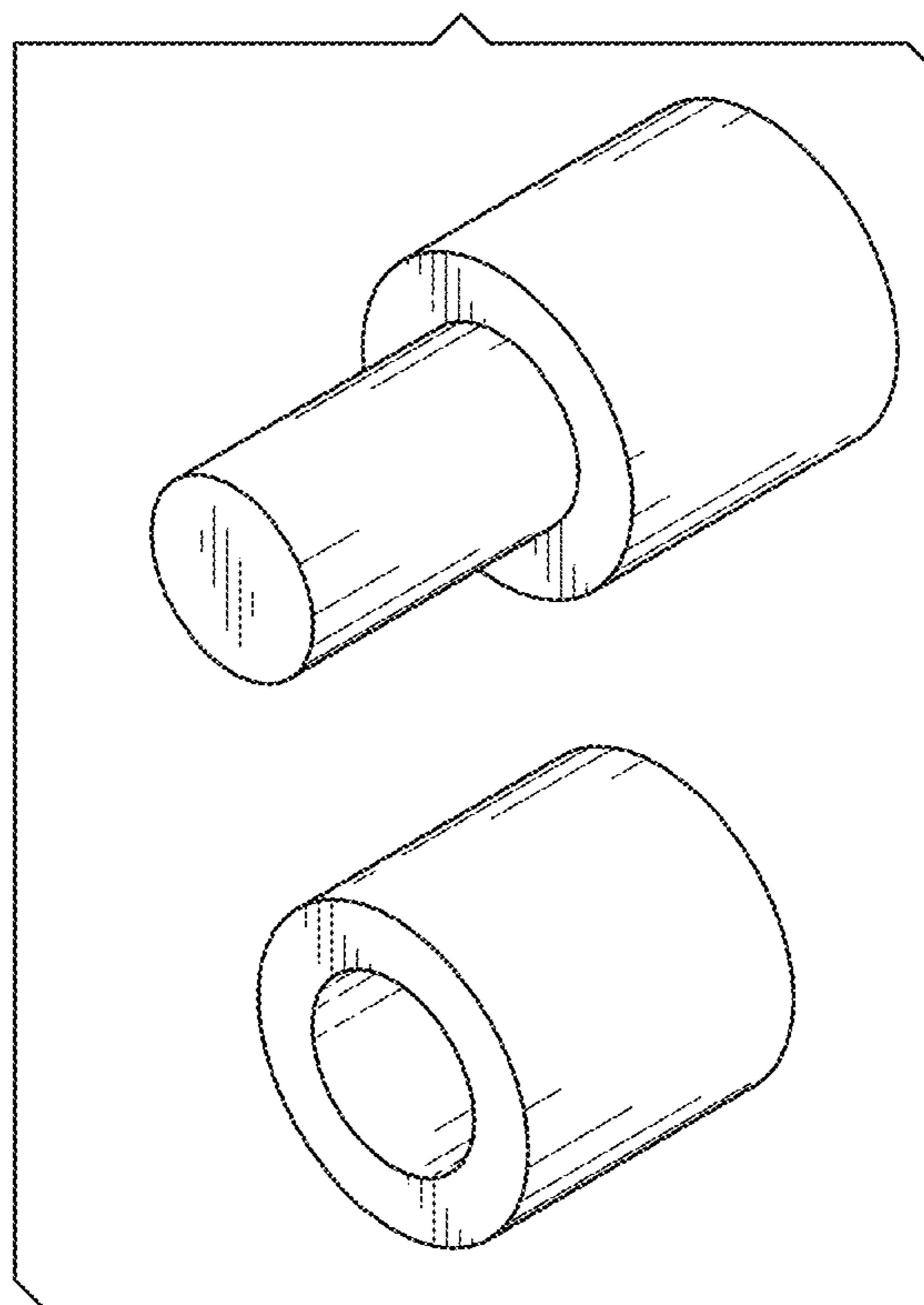


FIG. 3

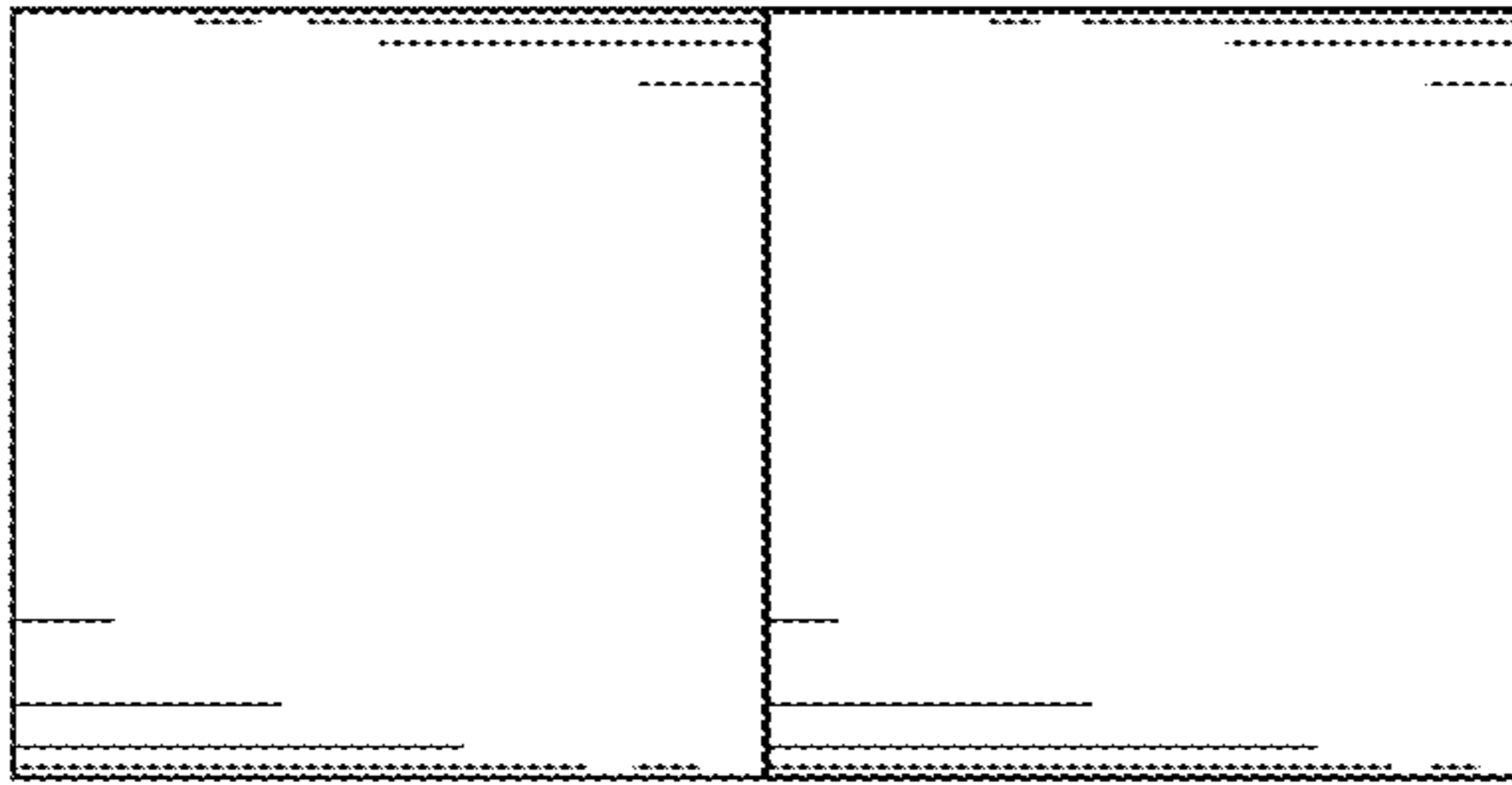


FIG. 4

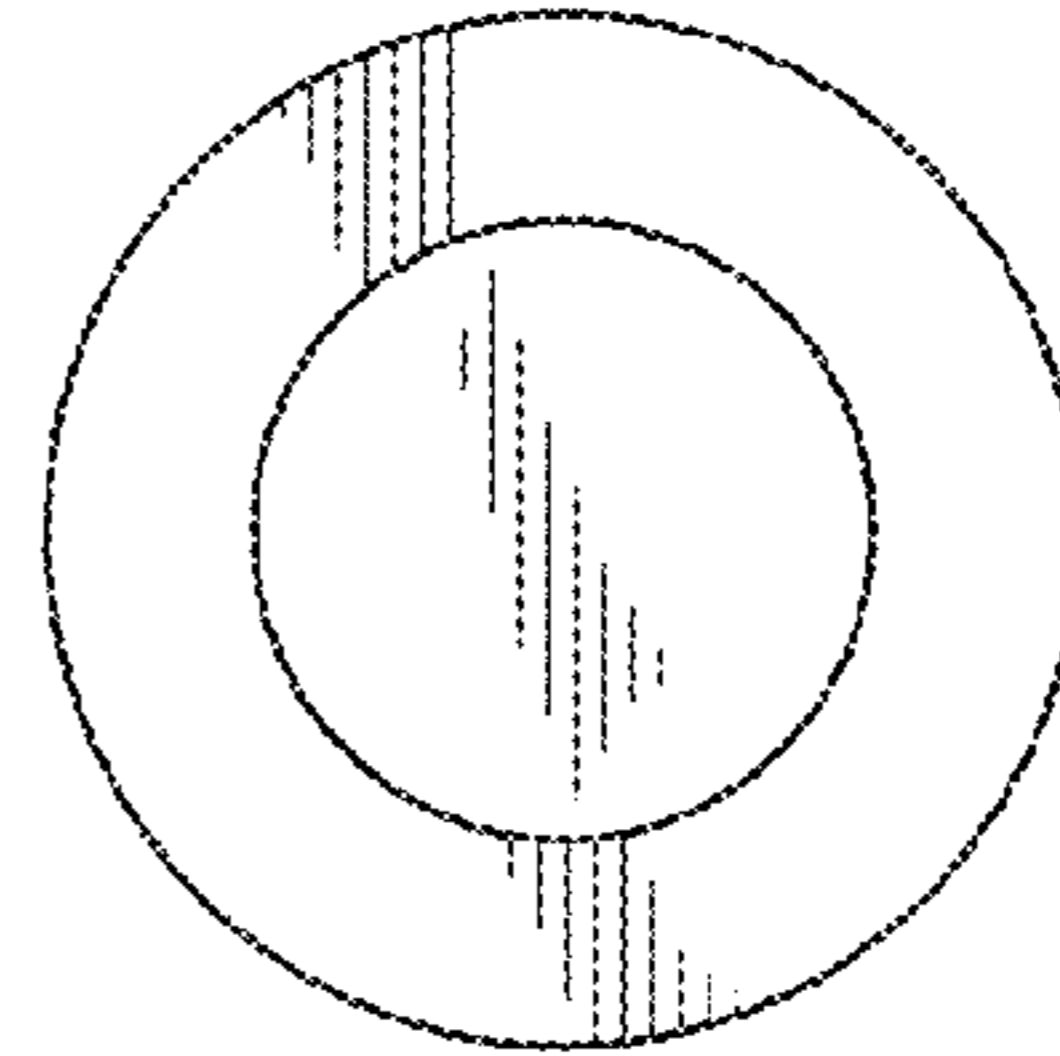


FIG. 5

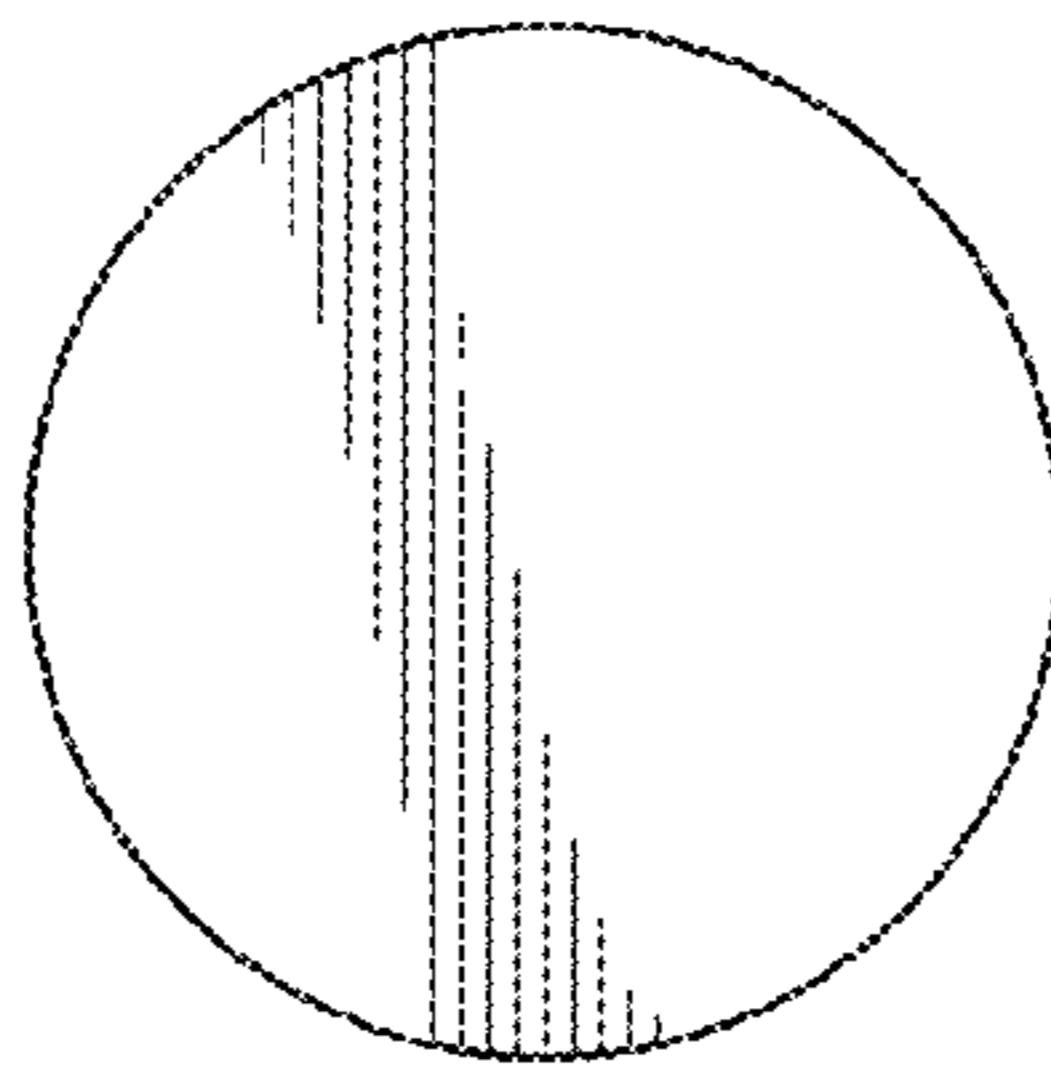


FIG. 6

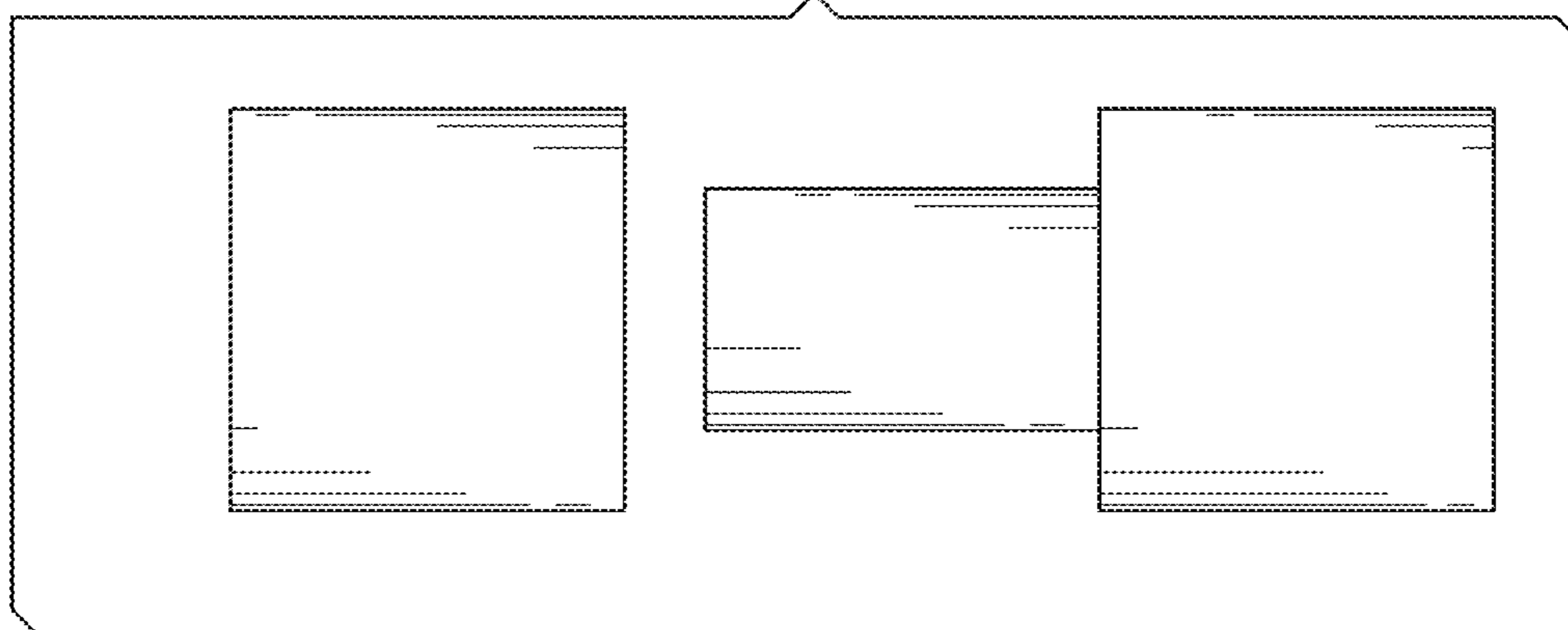


FIG. 7

