



US00D741468S

(12) **United States Design Patent**
Ertze

(10) **Patent No.:** **US D741,468 S**

(45) **Date of Patent:** **** Oct. 20, 2015**

(54) **CEILING FAN**

(71) Applicant: **YOUNGO LIMITED**, Hong Kong (CN)

(72) Inventor: **Pablo J. Ertze**, Fontana, CA (US)

(73) Assignee: **YOUNGO LIMITED**, Hong Kong (CN)

(**) Term: **14 Years**

(21) Appl. No.: **29/493,385**

(22) Filed: **Jun. 9, 2014**

(51) **LOC (10) Cl.** **23-04**

(52) **U.S. Cl.**
USPC **D23/377**

(58) **Field of Classification Search**
USPC D23/377, 370–376, 378–394, 411–414,
D23/499; D12/214, 305, 319, 339, 344,
D12/345; 416/5, 62, 170 R, 214 R, 184, 206,
416/207, 210 R, 220 R, 241 R, 244 R, 248,
416/223 R, 232, 234, 242; 417/423.1;
392/364

CPC ... F04D 25/088; F04D 29/322; F04D 29/324;
F04D 29/388; F04D 29/601

See application file for complete search history.

(56) **References Cited**

U.S. PATENT DOCUMENTS

1,506,937	A *	9/1924	Miller	416/228
1,602,755	A *	10/1926	Delage	416/214 R
D105,260	S *	7/1937	Brennan	D23/413
D131,699	S *	3/1942	Funk	D23/413
D342,311	S *	12/1993	Rezek	D23/377
D346,439	S *	4/1994	Liu	D23/377
D421,797	S *	3/2000	Collmar	D23/377
6,039,541	A *	3/2000	Parker et al.	416/223 R
D453,563	S *	2/2002	Bogazzi	D23/377
D467,327	S *	12/2002	Frampton	D23/377
6,884,034	B1 *	4/2005	Parker et al.	416/1

D510,763	S *	10/2005	Da Costa	D23/377
D535,387	S *	1/2007	Gajewski	D23/413
D576,265	S *	9/2008	Bucher et al.	D23/377
D590,489	S *	4/2009	Bucher et al.	D23/377
8,235,660	B2 *	8/2012	Hort et al.	416/19
D670,802	S *	11/2012	Wang	D23/413
D678,997	S *	3/2013	Gajewski	D23/413
2009/0220347	A1 *	9/2009	Ball et al.	416/229 R
2011/0165002	A1 *	7/2011	Noble	417/423.7
2012/0177496	A1 *	7/2012	Gajewski	416/204 R

OTHER PUBLICATIONS

Ariel Ceiling Fan. legendaustin.com [online] 1 page. Jul. 2013. [retrieved on Aug. 14, 2015]. Retrieved from Internet: <http://www.legendaustin.com/wp-content/uploads/2013/07/fan3.jpg>.*

(Continued)

Primary Examiner — Susan Bennett Hattan

Assistant Examiner — Marie Fast Horse

(74) *Attorney, Agent, or Firm* — Ming Chow; Sinorica, LLC

(57) **CLAIM**

I claim the ornamental design for a ceiling fan, as shown and described.

DESCRIPTION

FIG. 1 is a front perspective view of a ceiling fan showing my new design;

FIG. 2 is a front elevational view thereof;

FIG. 3 is a rear elevational view thereof;

FIG. 4 is a left side elevational view thereof;

FIG. 5 is a right side elevational view thereof;

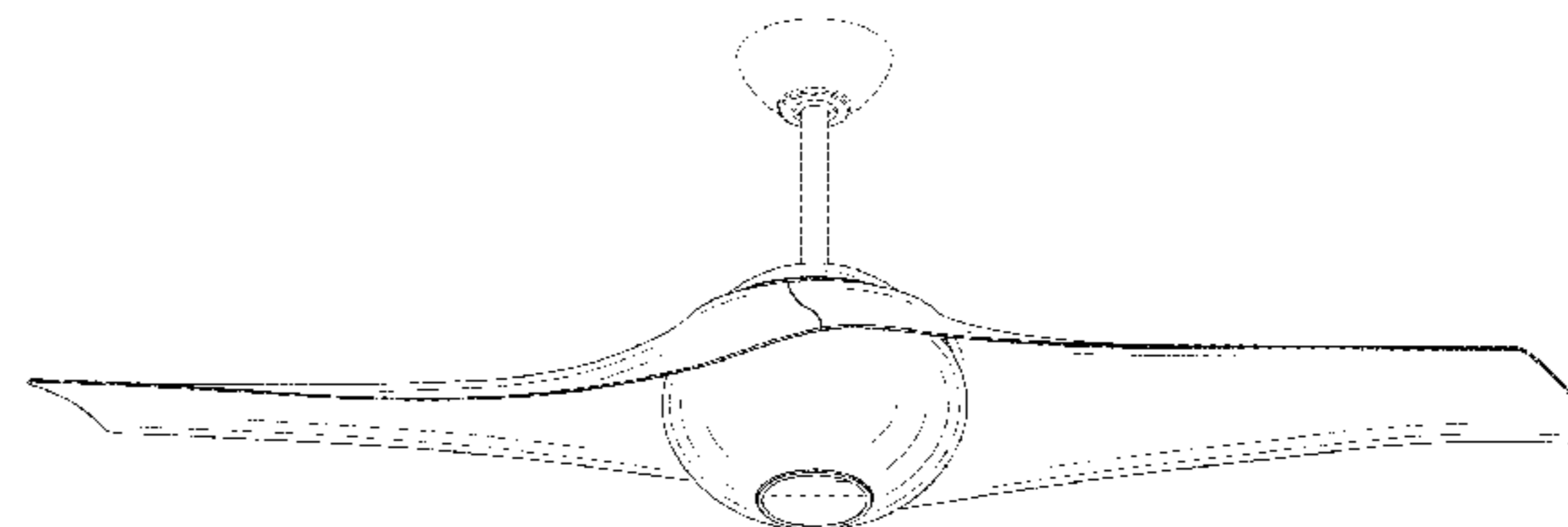
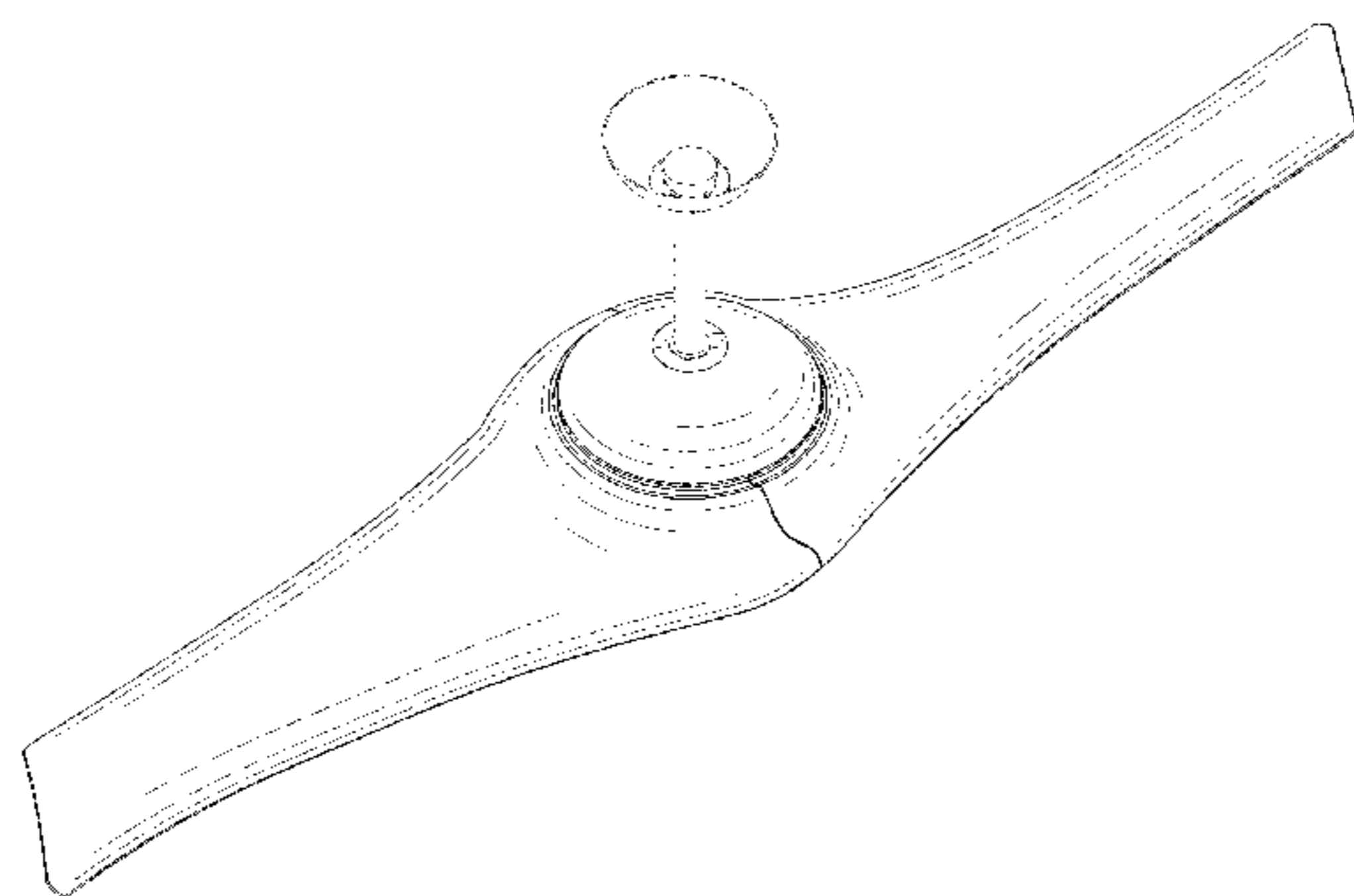
FIG. 6 is a top plan view thereof;

FIG. 7 is a bottom plan view thereof; and,

FIG. 8 is another front perspective view.

The broken lines in the drawings depict parts of the ceiling fan that form no part of the claimed design.

1 Claim, 5 Drawing Sheets



(56)

References Cited

OTHER PUBLICATIONS

Ceiling Fan—CN 302918451, Ruan yingxuan. (Design -©Questel). orbit.com [online PDF] 3 pages. Application Date: Jan. 3, 2014.

Registered: Aug. 20, 2014 [retrieved on Aug. 14, 2015]. Retrieved from Internet: <<http://sobjprd.questel.fr/export/QPTUJ214/pdf2/d8fe1771-2a63-4d18-a419-f0a4d8e4cb9f-221300.pdf>>.*

* cited by examiner

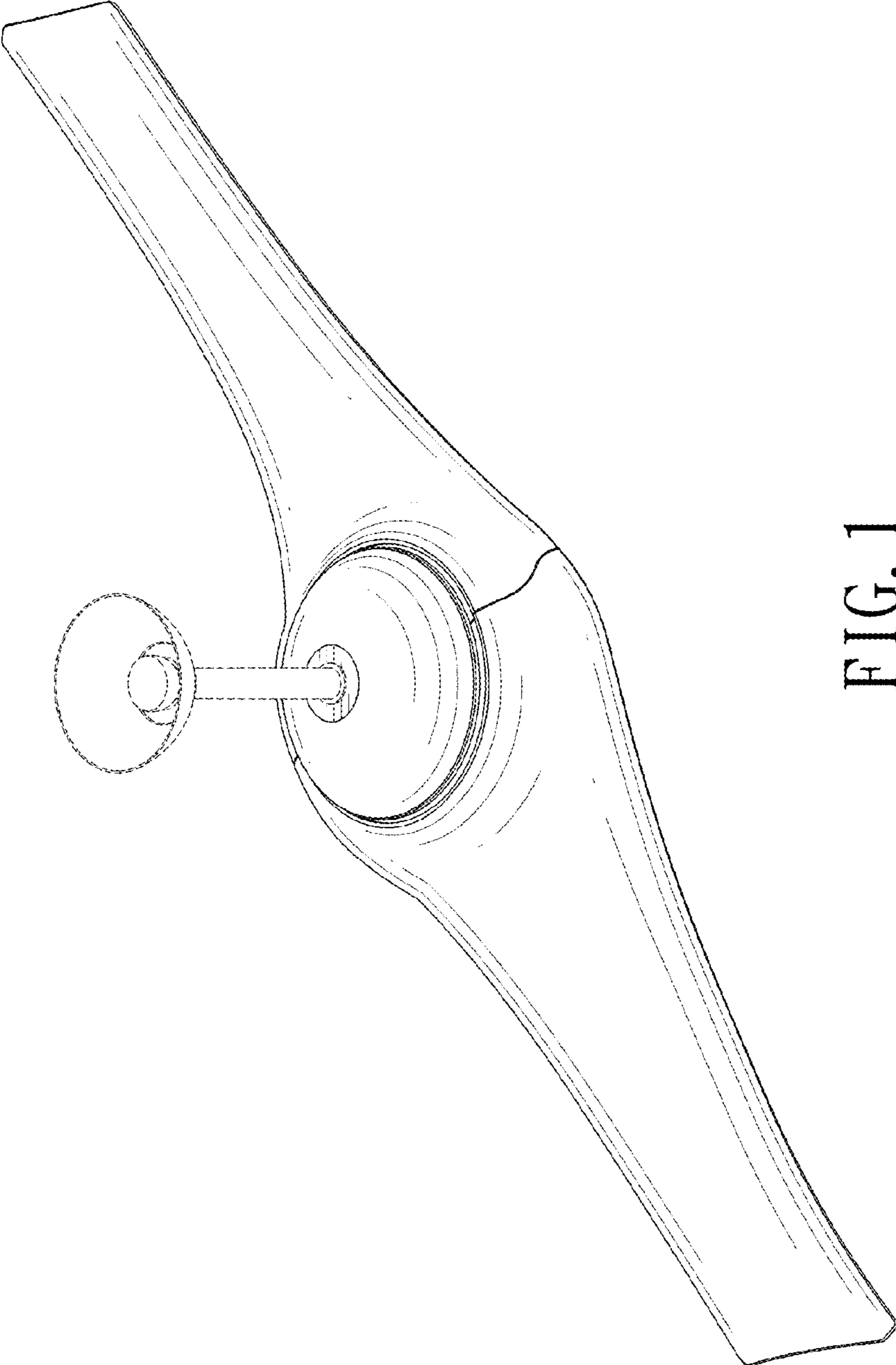


FIG. 1

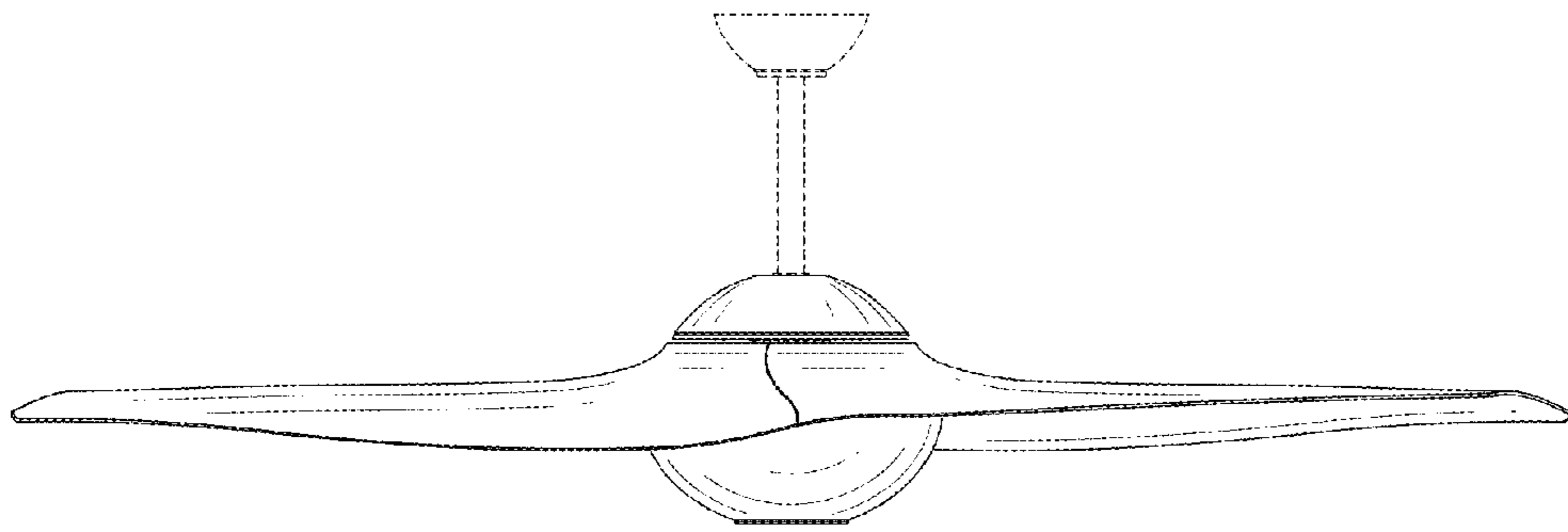


FIG. 2

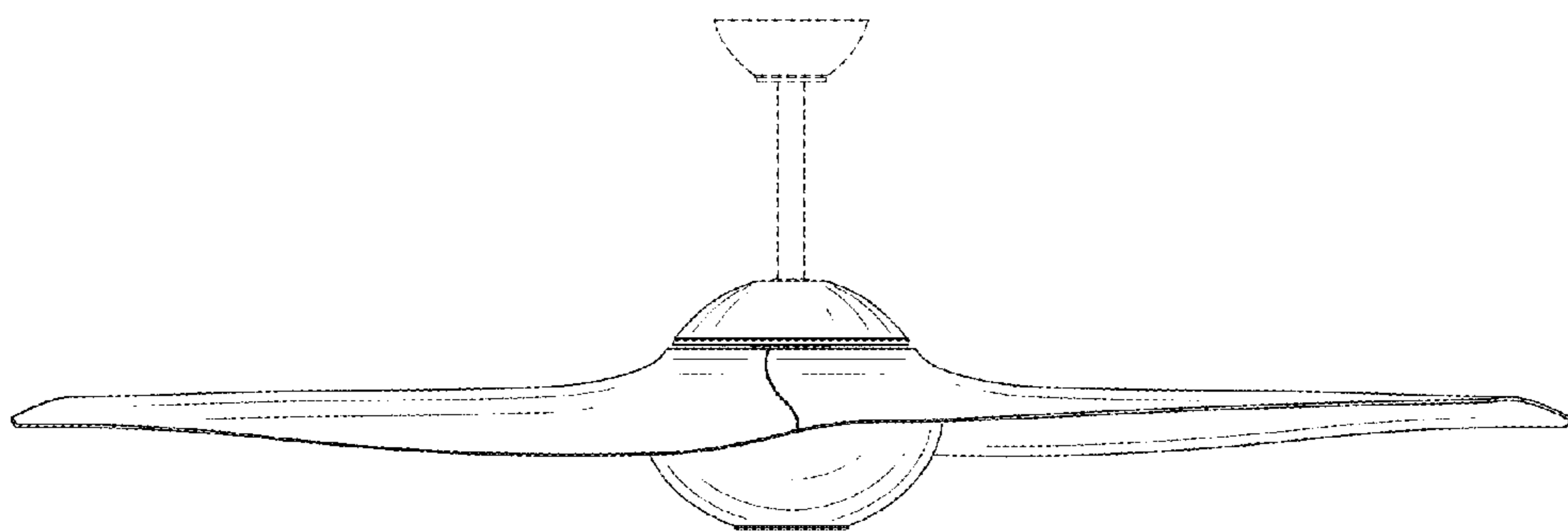


FIG. 3

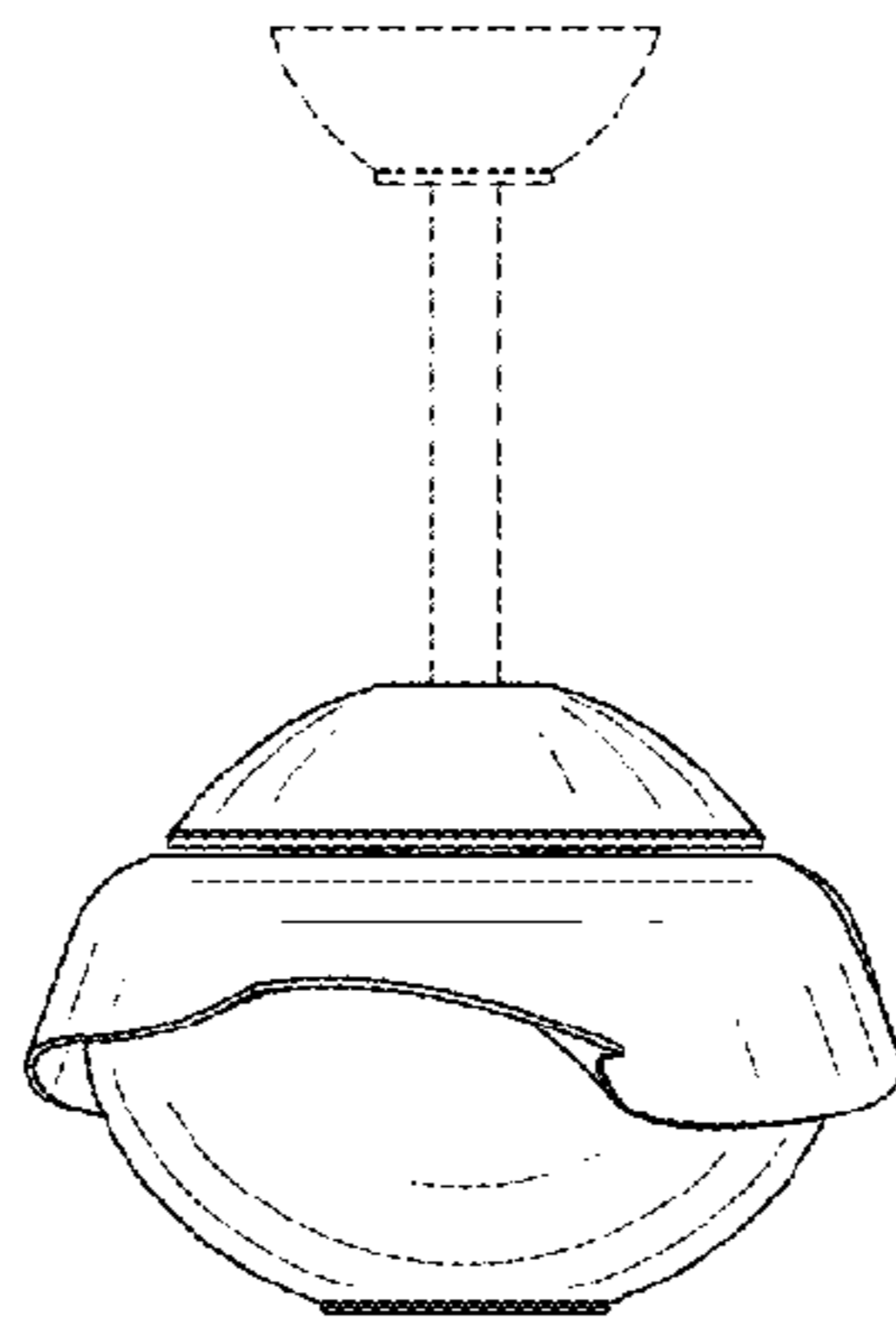


FIG. 4

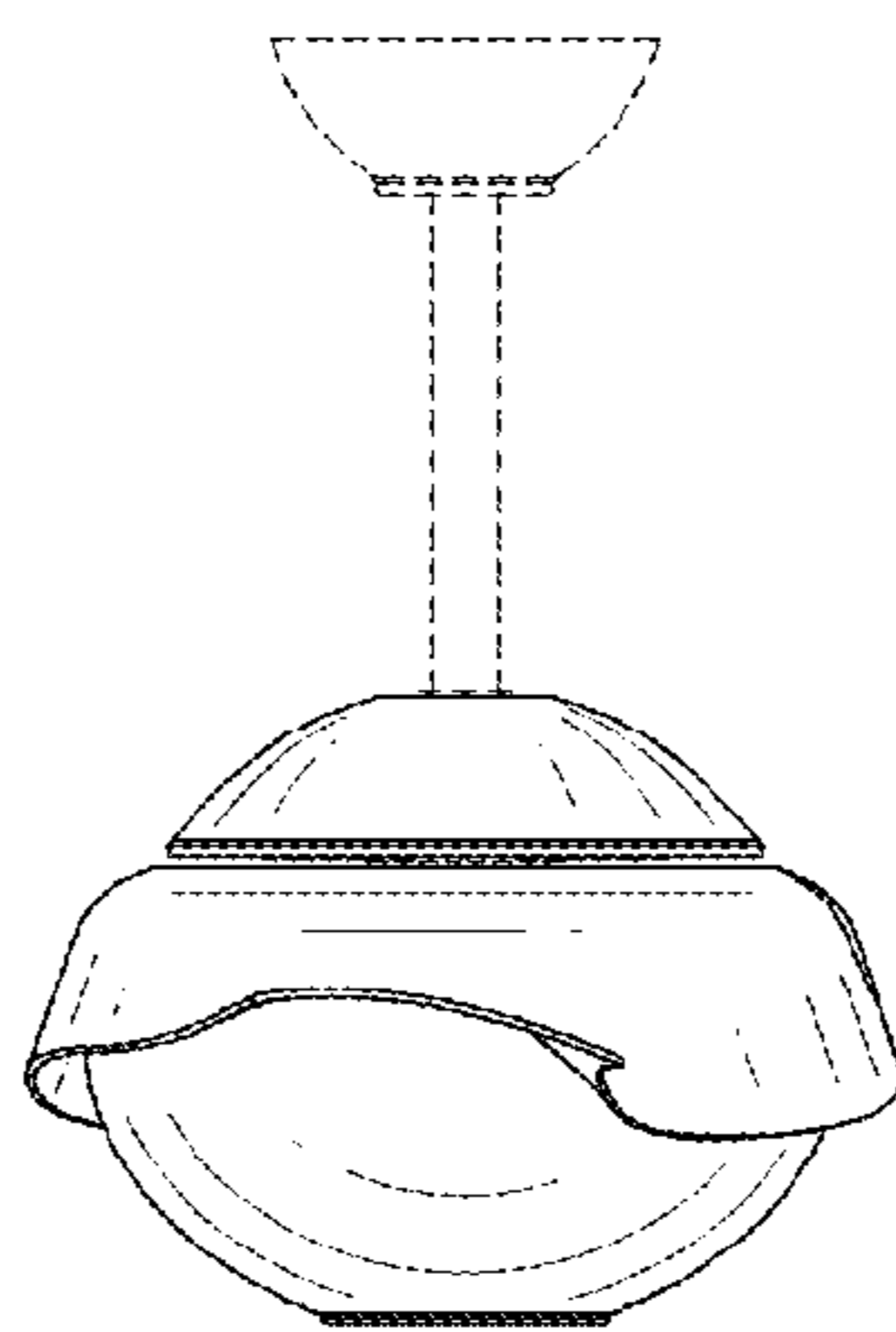


FIG. 5

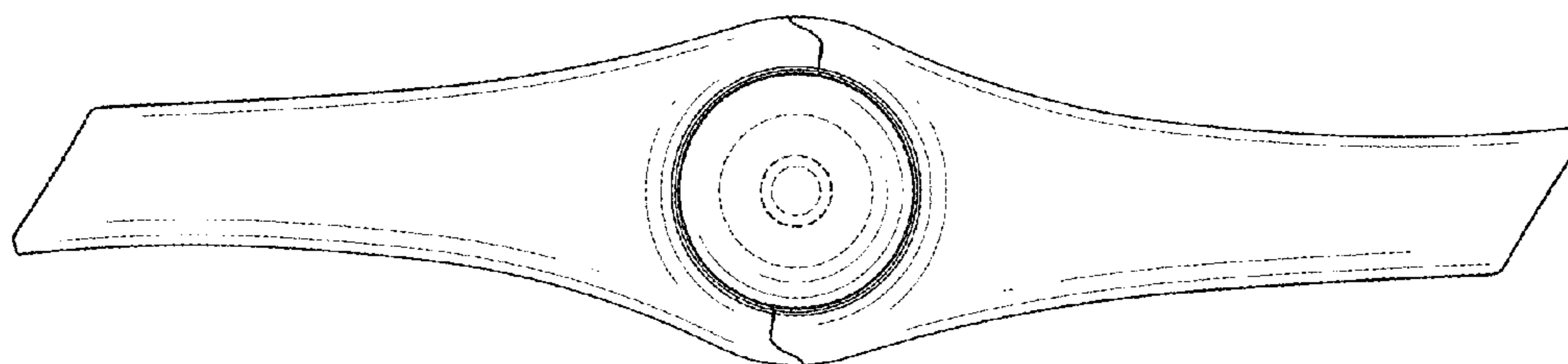


FIG. 6

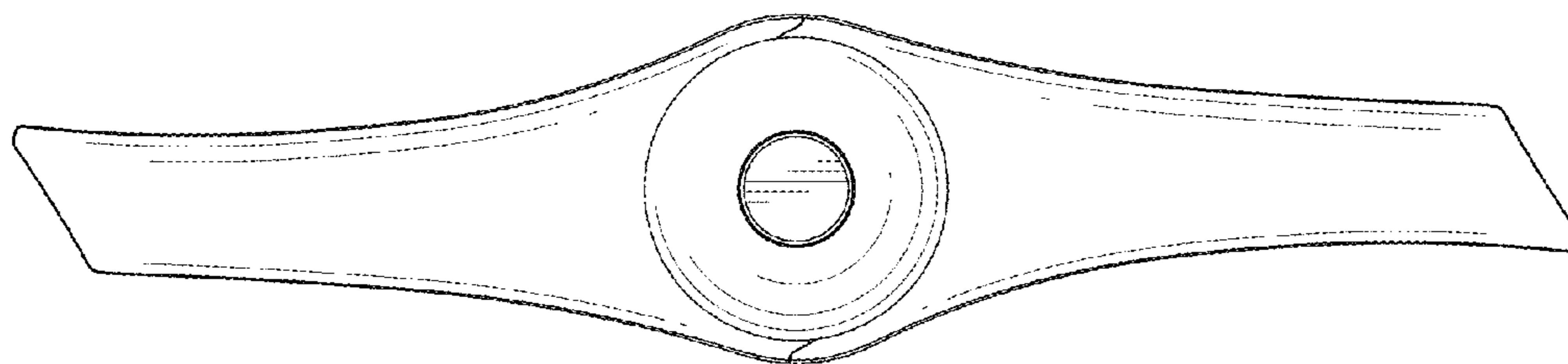


FIG. 7

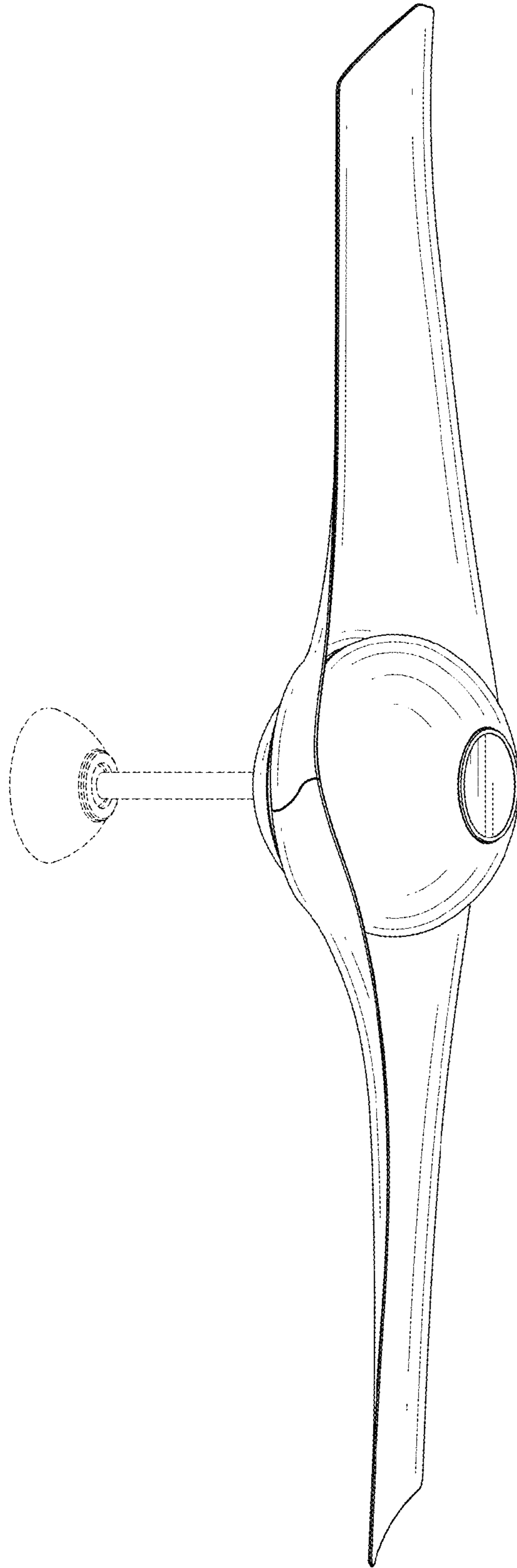


FIG. 8