



US00D741464S

(12) **United States Design Patent**
Ikegaya

(10) **Patent No.:** **US D741,464 S**
(45) **Date of Patent:** **** Oct. 20, 2015**

(54) **AIR PURIFIER**

(71) Applicant: **Takanori Ikegaya**, Kusatsu (JP)

(72) Inventor: **Takanori Ikegaya**, Kusatsu (JP)

(73) Assignee: **DAIKIN INDUSTRIES LTD.**,
Osaka-Shi, Osaka-Fu (JP)

(**) Term: **14 Years**

(21) Appl. No.: **29/494,326**

(22) Filed: **Jun. 19, 2014**

(51) **LOC (10) Cl.** **23-04**

(52) **U.S. Cl.**
USPC **D23/364**

(58) **Field of Classification Search**
USPC D23/355–366, 352, 369, 332, 333, 335,
D23/336, 342, 351; 422/120, 122; 55/356,
55/473, 504; 96/97; D14/188, 170, 172;
261/DIG. 17, DIG. 65, DIG. 88, DIG. 31;
D18/34.6

CPC A61L 9/16; A61L 9/22; B01D 47/00;
B01D 47/027; B01D 2221/02; B01D
2259/4508; B03C 3/155; F24F 3/16; F24F
13/20; F24F 13/28; F24F 2001/0096; F24F
3/1405; F24F 3/1603; F24F 13/222
See application file for complete search history.

(56) **References Cited**

U.S. PATENT DOCUMENTS

D550,343 S * 9/2007 Chen D23/364
D595,825 S * 7/2009 Ohta et al. D23/364

D595,826 S * 7/2009 Ohta D23/364
D599,456 S * 9/2009 Choi D23/364
D613,386 S * 4/2010 Niki et al. D23/364
D613,387 S * 4/2010 Satou D23/364
D634,829 S * 3/2011 Niki D23/355
D644,312 S * 8/2011 Tsuji D23/364
D658,280 S * 4/2012 Niki et al. D23/364
D662,577 S * 6/2012 Nakamura et al. D23/364
D681,789 S * 5/2013 Chiu D23/333
D684,247 S * 6/2013 Chouji D23/364
D702,825 S * 4/2014 Satou D23/364

* cited by examiner

Primary Examiner — David Muller

(74) *Attorney, Agent, or Firm* — Manabu Kanesaka

(57) **CLAIM**

The ornamental design for an air purifier, as shown and described.

DESCRIPTION

FIG. 1 is a perspective view of an air purifier showing my new design;
FIG. 2 is a front view thereof;
FIG. 3 is a rear view thereof;
FIG. 4 is a plan view thereof;
FIG. 5 is a bottom view thereof;
FIG. 6 is a left side view thereof;
FIG. 7 is a right side view thereof; and,
FIG. 8 is a cross-sectional view thereof along the line 8-8 in FIG. 2.

The broken lines depict portions of the air purifier that form no part of claimed design.

1 Claim, 8 Drawing Sheets

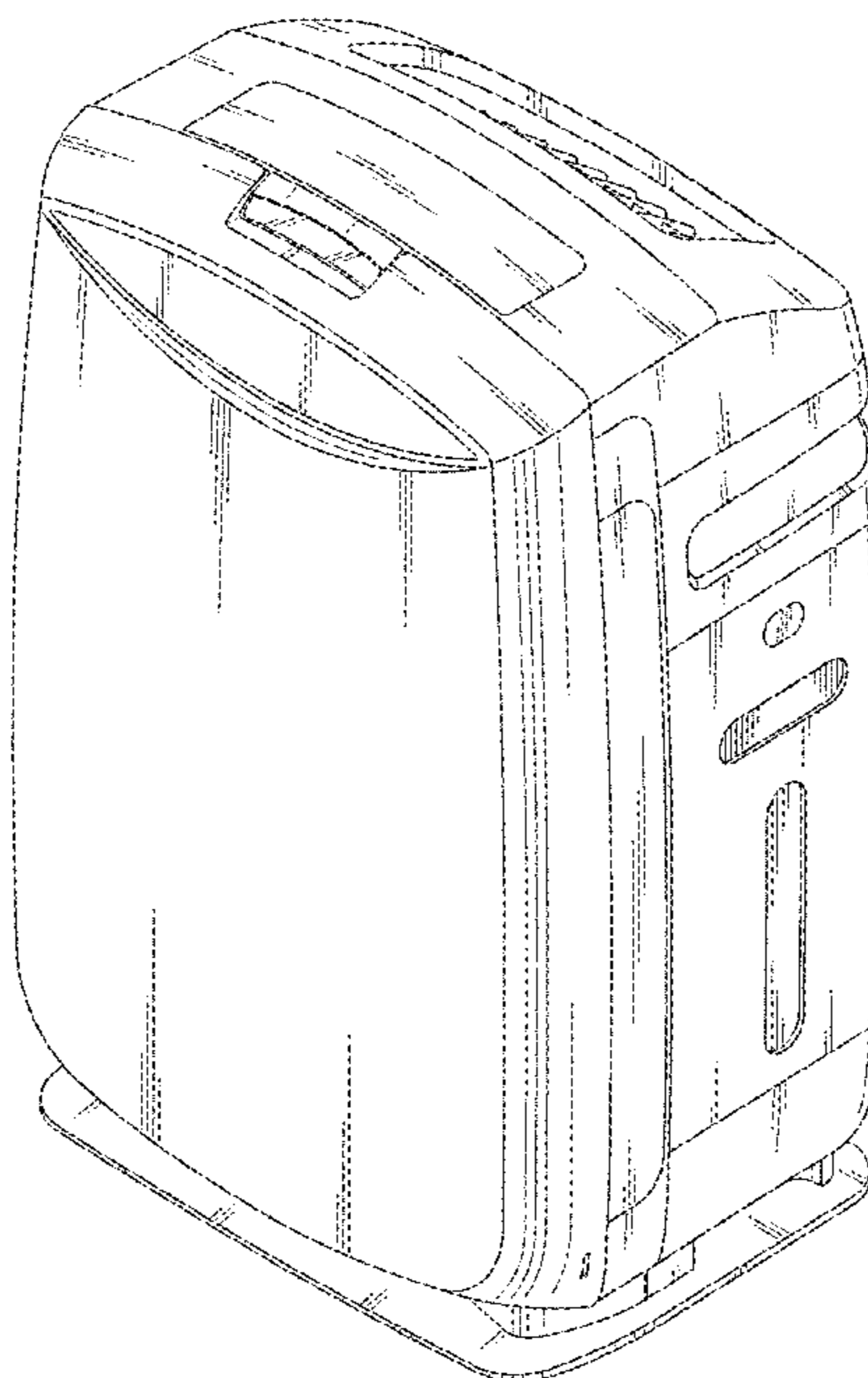


Fig. 1

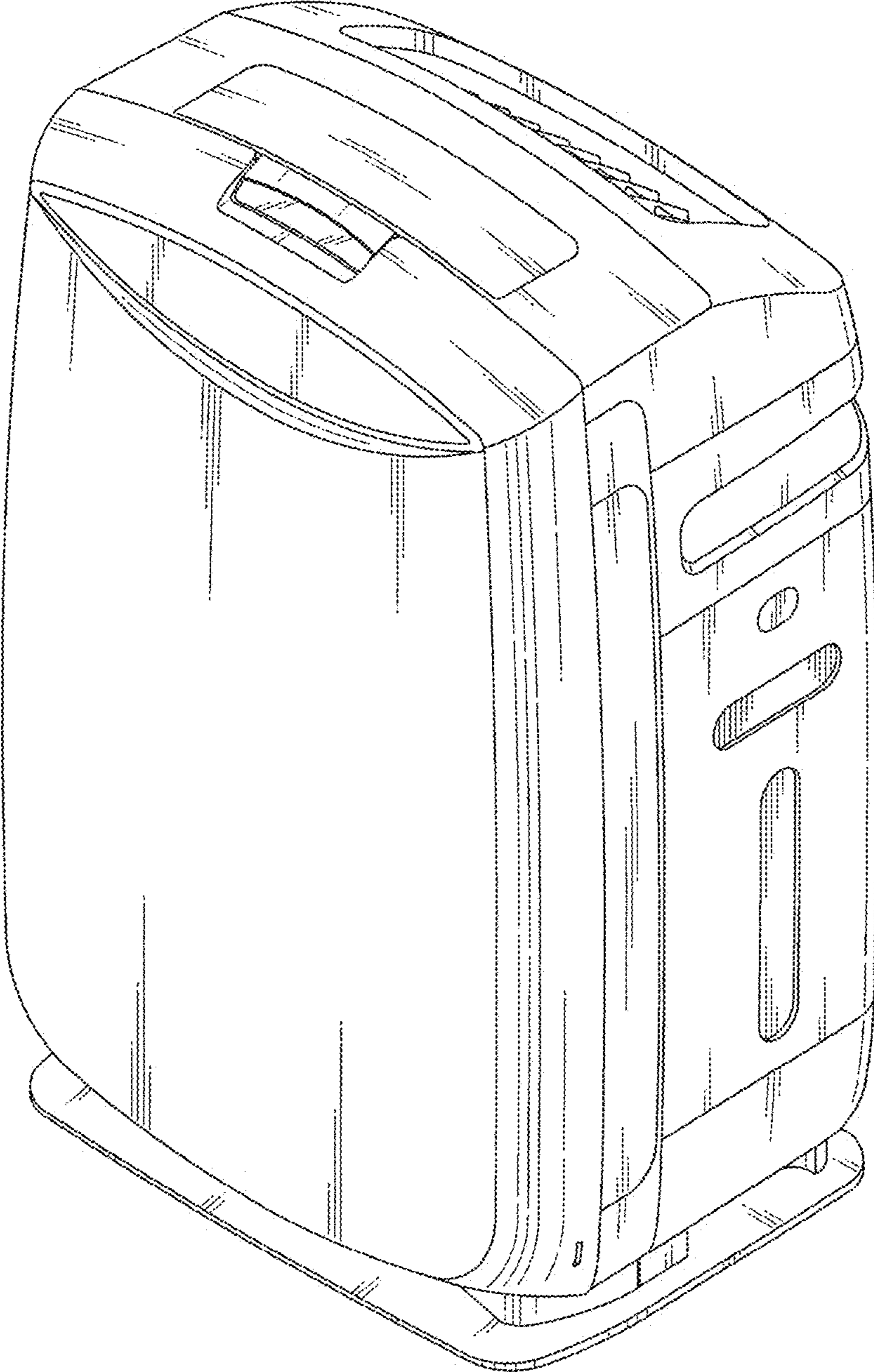


Fig. 2

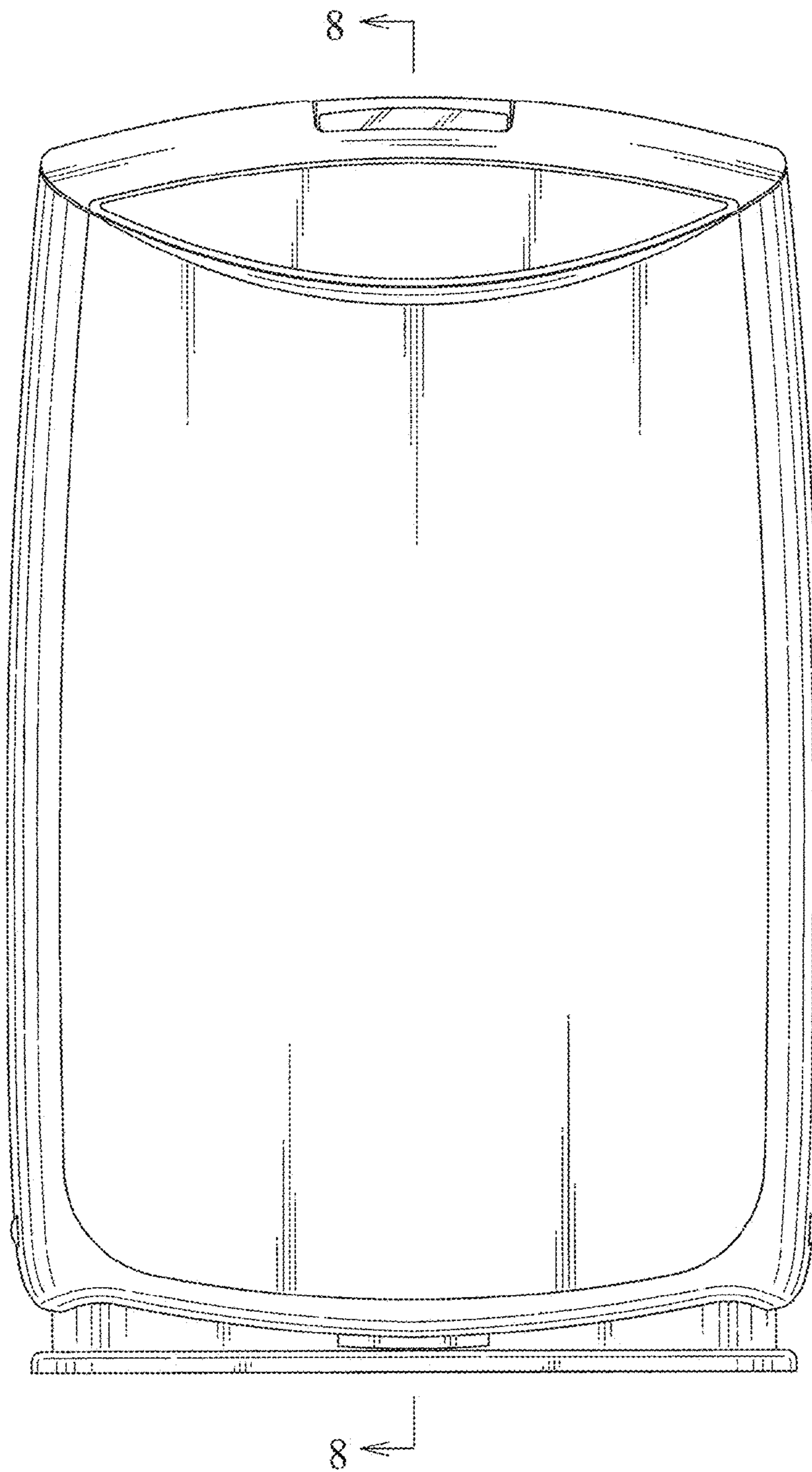


Fig. 3

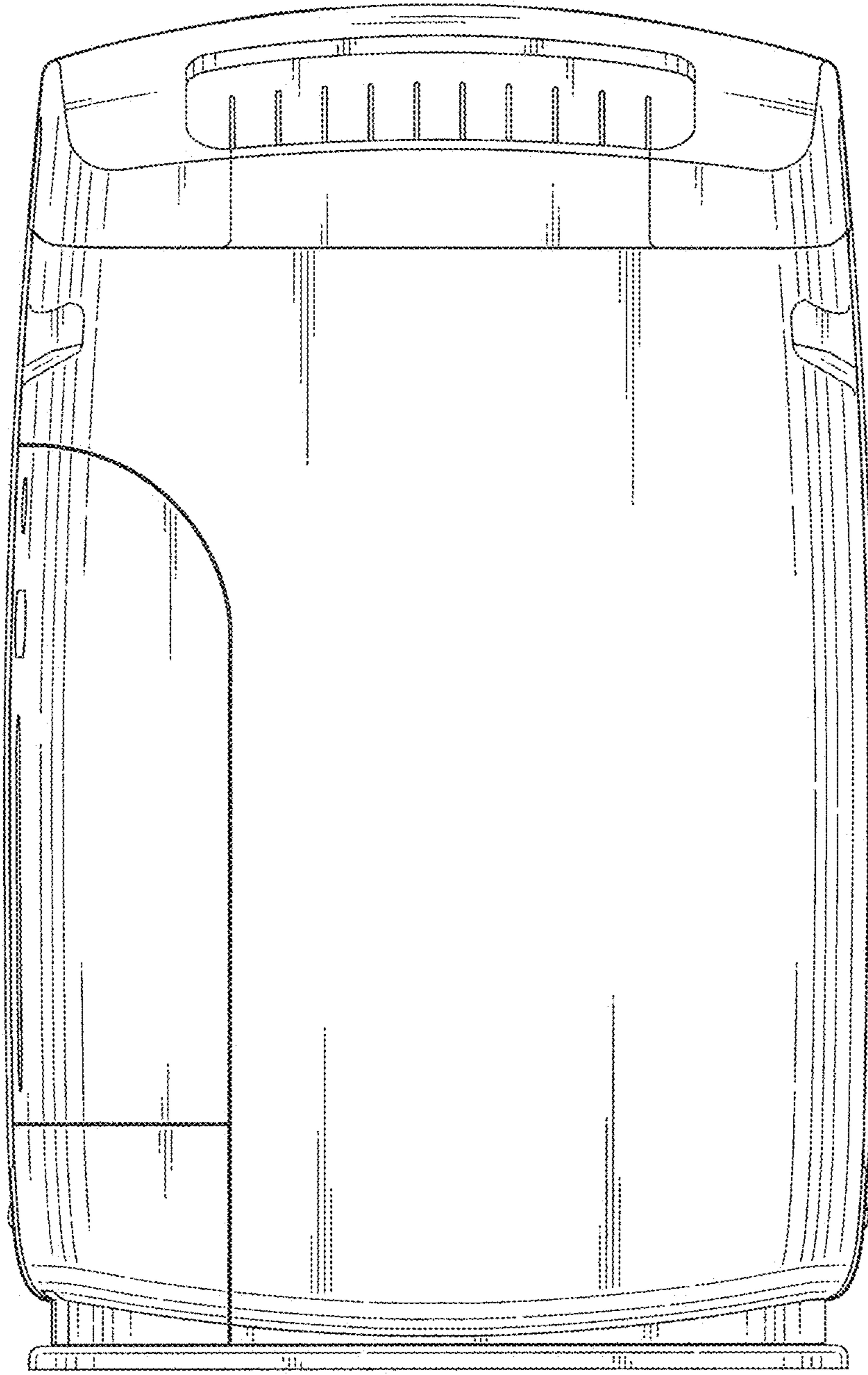


Fig. 4

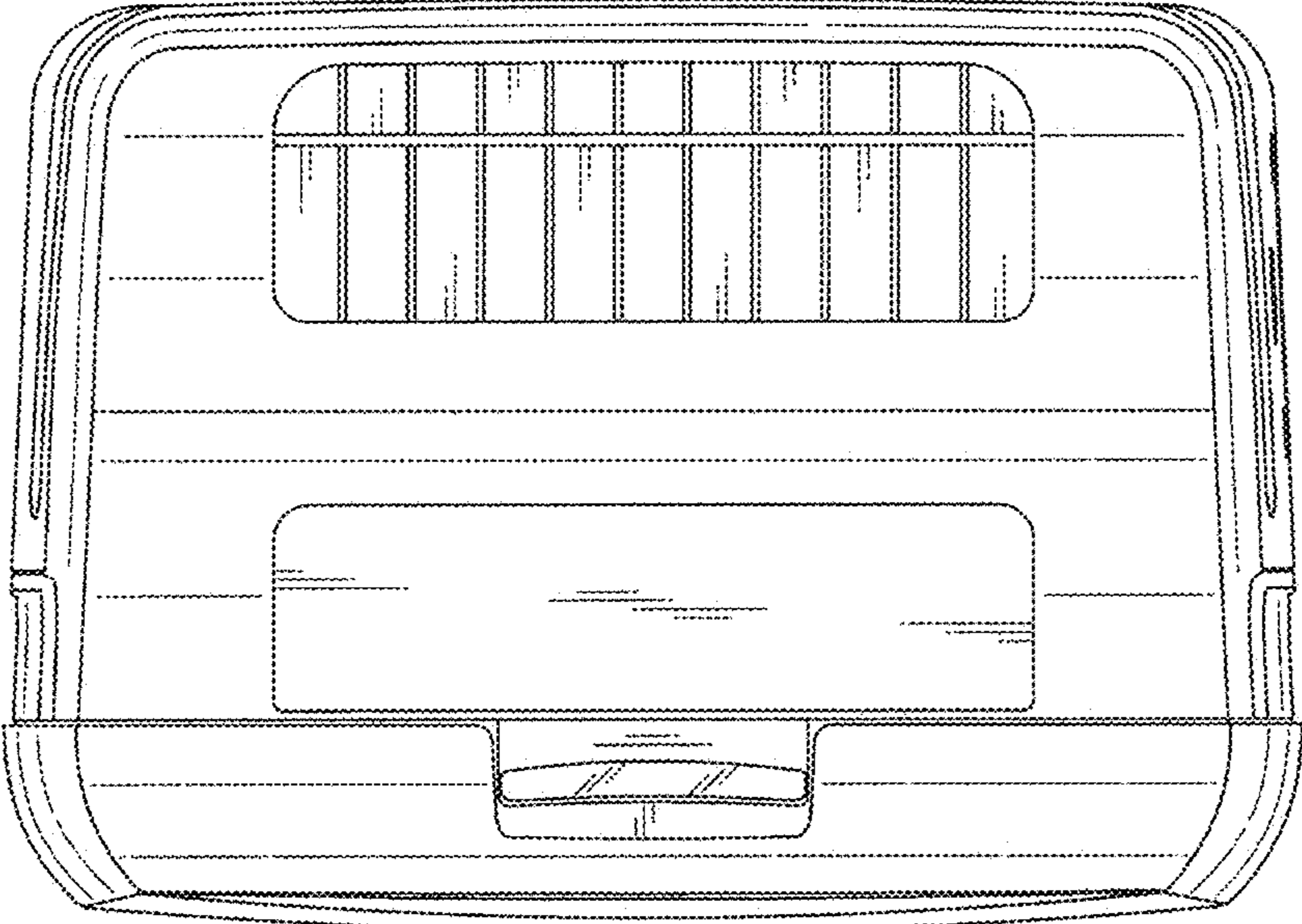


Fig. 5

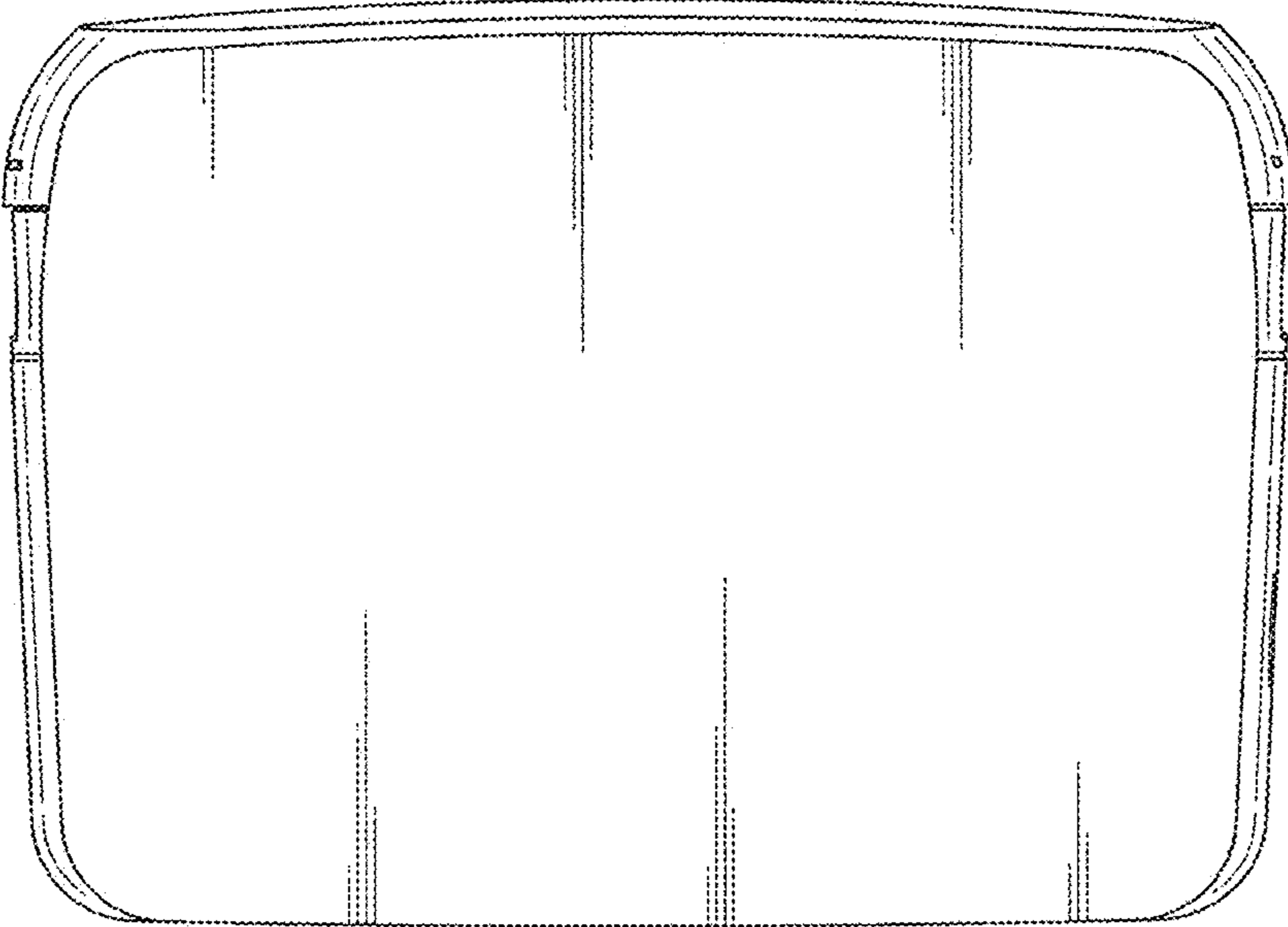


Fig. 6

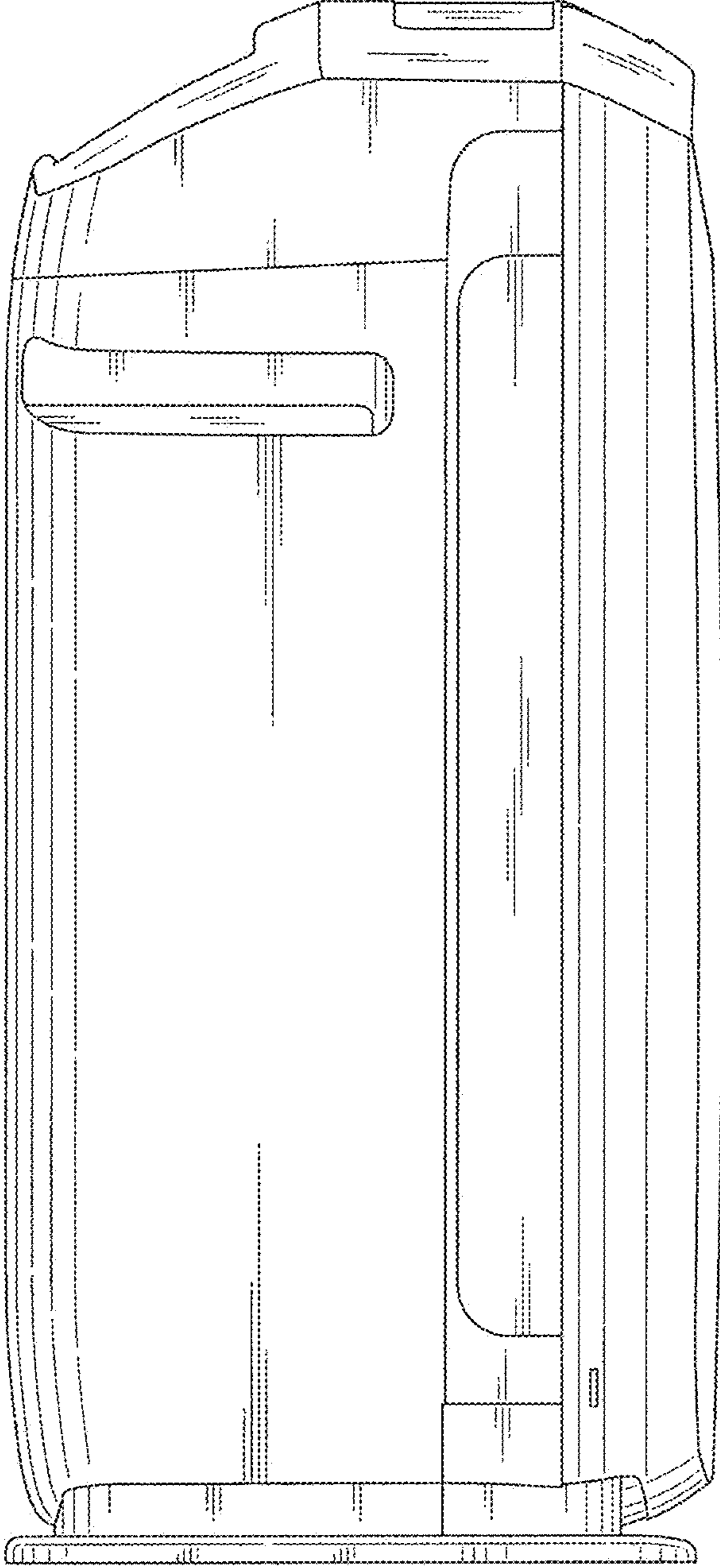


Fig. 7

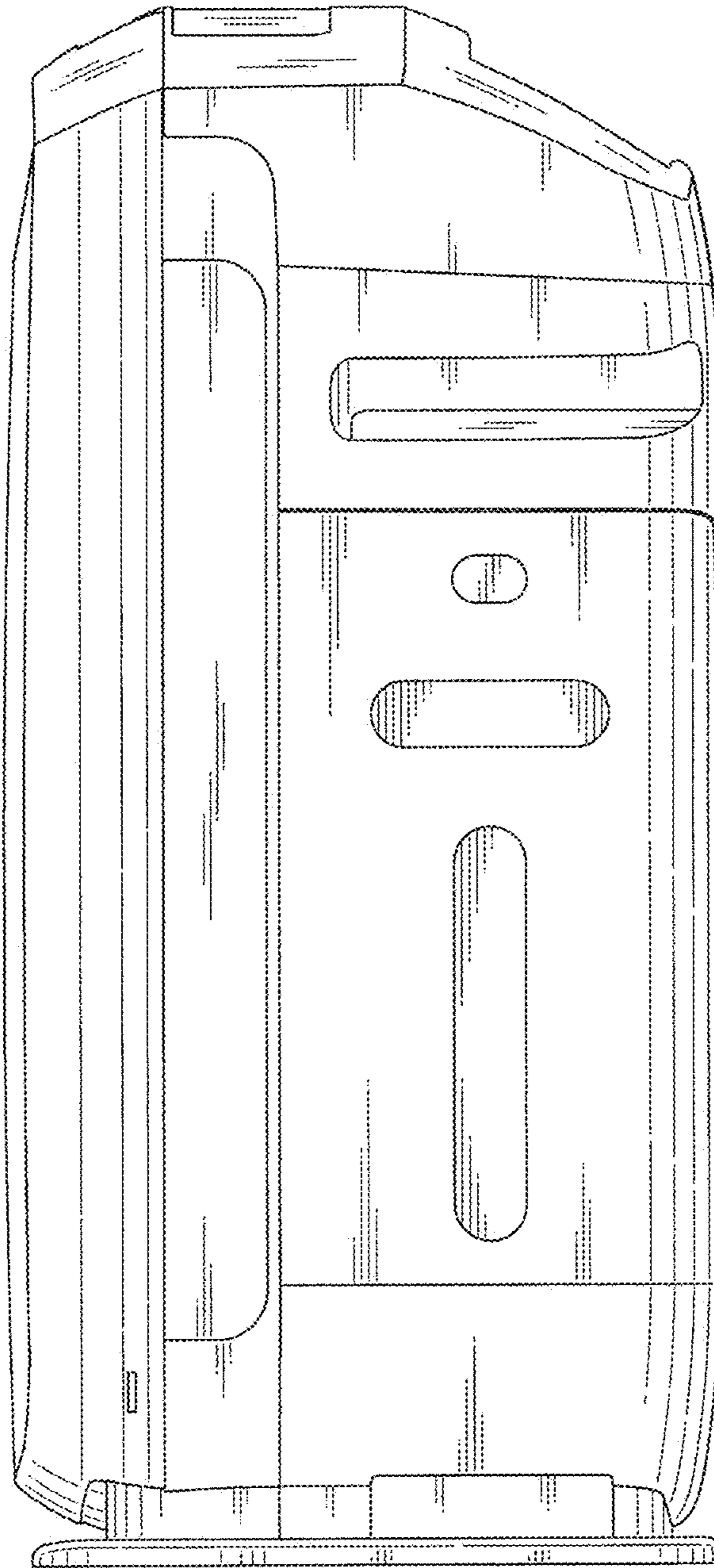


Fig. 8

