



US00D741457S

(12) **United States Design Patent**
Guest

(10) **Patent No.:** **US D741,457 S**
(45) **Date of Patent:** **** Oct. 20, 2015**

(54) **FLUID CONNECTOR**

(71) Applicant: **John Guest International Limited**,
West Drayton, Middlesex (GB)

(72) Inventor: **Timothy Steven Guest**, Bray (GB)

(73) Assignee: **John Guest Internaitonal Limited**,
West Drayton (GB)

(**) Term: **14 Years**

(21) Appl. No.: **29/487,888**

(22) Filed: **Apr. 14, 2014**

Related U.S. Application Data

(62) Division of application No. 29/423,379, filed on May 31, 2012, now Pat. No. Des. 711,516.

(30) **Foreign Application Priority Data**

Dec. 9, 2011 (EM) 1306047-0001/0004

(51) **LOC (10) Cl.** **23-01**

(52) **U.S. Cl.**
USPC **D23/262**

(58) **Field of Classification Search**
USPC D23/259-262; D8/382; D13/155;
D24/129; 285/86-93

See application file for complete search history.

(56) **References Cited**

U.S. PATENT DOCUMENTS

1,851,992	A *	4/1932	Smith	285/86
D167,662	S *	9/1952	Ulrich	D23/262
3,991,822	A	11/1976	Morris		
D245,921	S	9/1977	Beran		
D299,267	S *	1/1989	Roman	D23/262
D320,842	S *	10/1991	Roman	D23/262
D325,775	S	4/1992	Hayes		
D325,961	S	5/1992	Hayes		

D354,801	S	1/1995	Grant et al.		
D356,147	S	3/1995	Clivio		
D362,900	S	10/1995	Miska		
5,518,276	A	5/1996	Gunderson		
D379,851	S	6/1997	Mathison		
D387,146	S	12/1997	Morrison		
D403,056	S	12/1998	Clivio		
D406,881	S *	3/1999	Kuwabara	D23/262
D442,267	S *	5/2001	Kouda	D23/262
6,257,626	B1	7/2001	Campau		
D453,552	S *	2/2002	Sato et al.	D23/262
D453,815	S	2/2002	Hoenig		

(Continued)

OTHER PUBLICATIONS

Office Action dated Mar. 7, 2014, issued in U.S. Appl. No. 29/423,375, filed May 31, 2012.

(Continued)

Primary Examiner — Kevin Rudzinski

Assistant Examiner — John Reickel

(74) *Attorney, Agent, or Firm* — Workman Nydegger

(57) **CLAIM**

The ornamental design for a fluid connector, as shown and described.

DESCRIPTION

FIG. 1 is a perspective view of fluid connector showing my new design;

FIG. 2 is a right side elevational view thereof;

FIG. 3 is a front elevational view thereof;

FIG. 4 is a rear elevational view thereof;

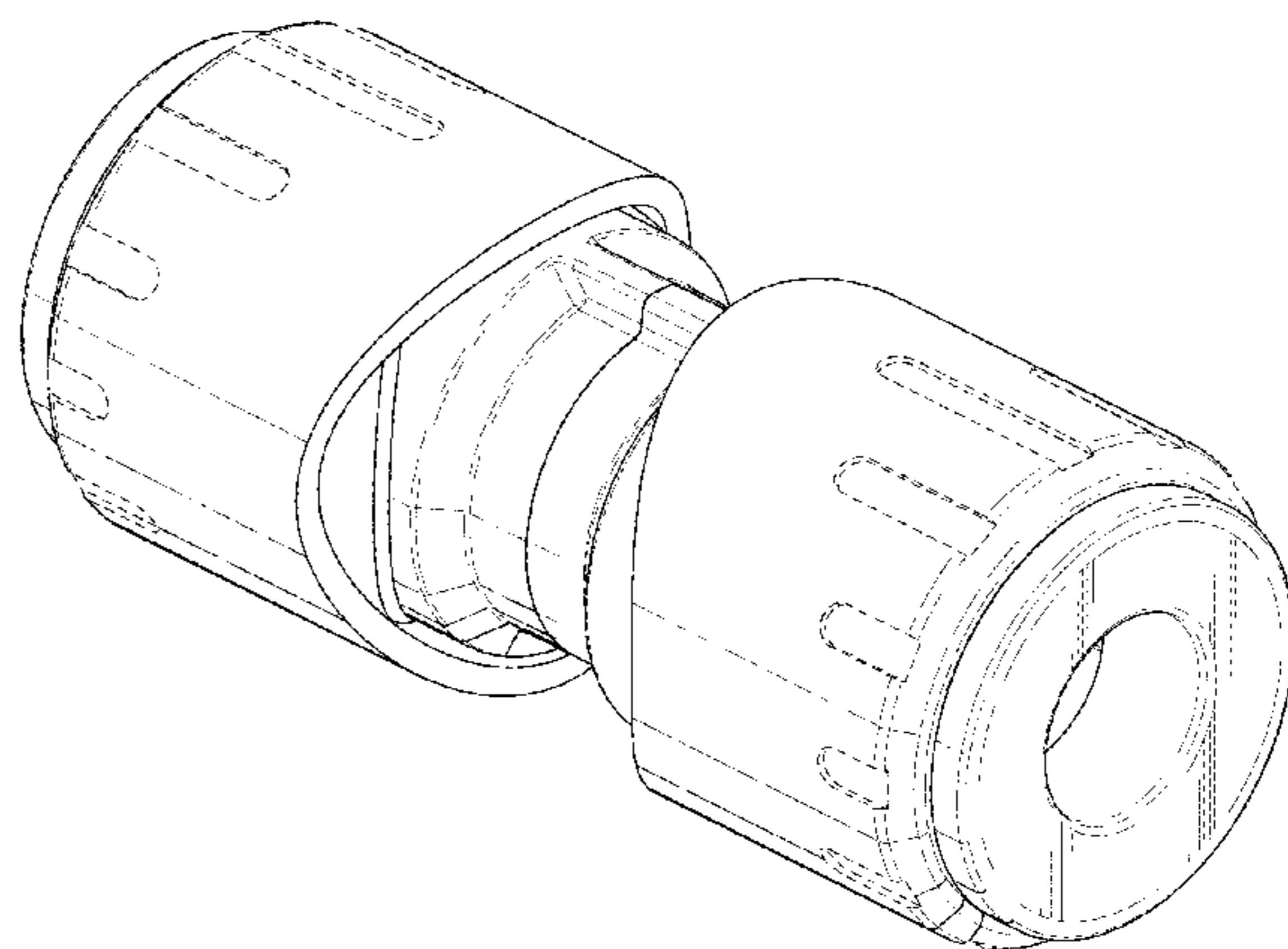
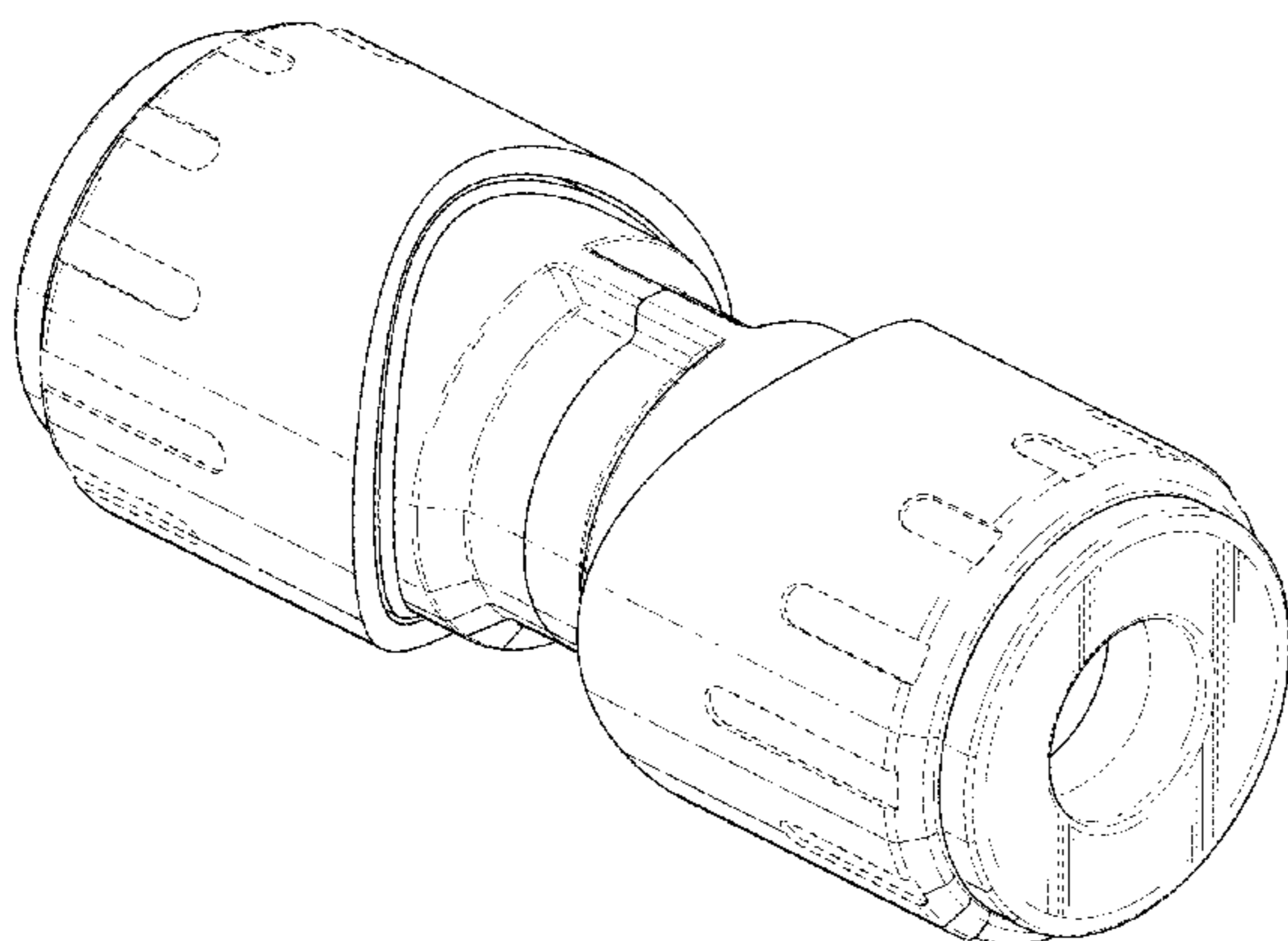
FIG. 5 is a top plan view thereof;

FIG. 6 is a bottom plan view thereof; and,

FIG. 7 is a perspective view thereof with the two collars of the fluid connector rotated to a second position.

The broken lines are included for the purpose of illustrating portion of the article and form no part of the claimed design.

1 Claim, 3 Drawing Sheets



(56)

References Cited

U.S. PATENT DOCUMENTS

D455,819 S 4/2002 Hoenig
 6,382,593 B1 * 5/2002 deCler et al. 251/340
 D464,409 S 10/2002 Nishio
 D482,761 S 11/2003 Gotoh et al.
 D483,096 S 12/2003 Gotoh et al.
 D517,176 S 3/2006 Wilk et al.
 D550,333 S 9/2007 Bamberger et al.
 D565,707 S 4/2008 Brockington et al.
 D575,377 S 8/2008 Roman
 D593,652 S 6/2009 Thomas et al.
 D597,183 S * 7/2009 Choi D23/263
 D602,128 S 10/2009 Williams et al.
 D615,165 S 5/2010 McAlpine et al.
 D627,039 S 11/2010 Yu
 D632,764 S * 2/2011 Cheng D23/262
 D639,398 S 6/2011 Wilhelm
 D648,008 S 11/2011 Percoco et al.
 D651,696 S 1/2012 Giordano
 D665,481 S 8/2012 Bloink et al.
 8,267,431 B2 9/2012 Okuno et al.

D676,940 S 2/2013 Kluss et al.
 D676,941 S 2/2013 Kluss et al.
 D676,942 S 2/2013 Kluss et al.
 D676,943 S 2/2013 Kluss et al.
 D681,159 S 4/2013 Ben-Horin et al.
 D687,528 S * 8/2013 Meyer D23/262
 D691,246 S 10/2013 Ward
 8,636,720 B2 1/2014 Truitt et al.
 8,641,685 B2 2/2014 Mansour et al.
 8,646,813 B1 2/2014 Shemtov
 8,647,326 B2 2/2014 Solomon et al.
 8,657,343 B2 2/2014 Rodenberg et al.
 D727,720 S * 4/2015 Schermer D8/397
 2005/0194781 A1 9/2005 Tiberghien et al.
 2008/0238087 A1 10/2008 Wang et al.
 2010/0049170 A1 * 2/2010 Solomon et al. 604/539
 2013/0257043 A1 10/2013 Guest

OTHER PUBLICATIONS

Office Action dated Mar. 7, 2014, issued in U.S. Appl. No. 29/423,379, filed May 31, 2012.

* cited by examiner

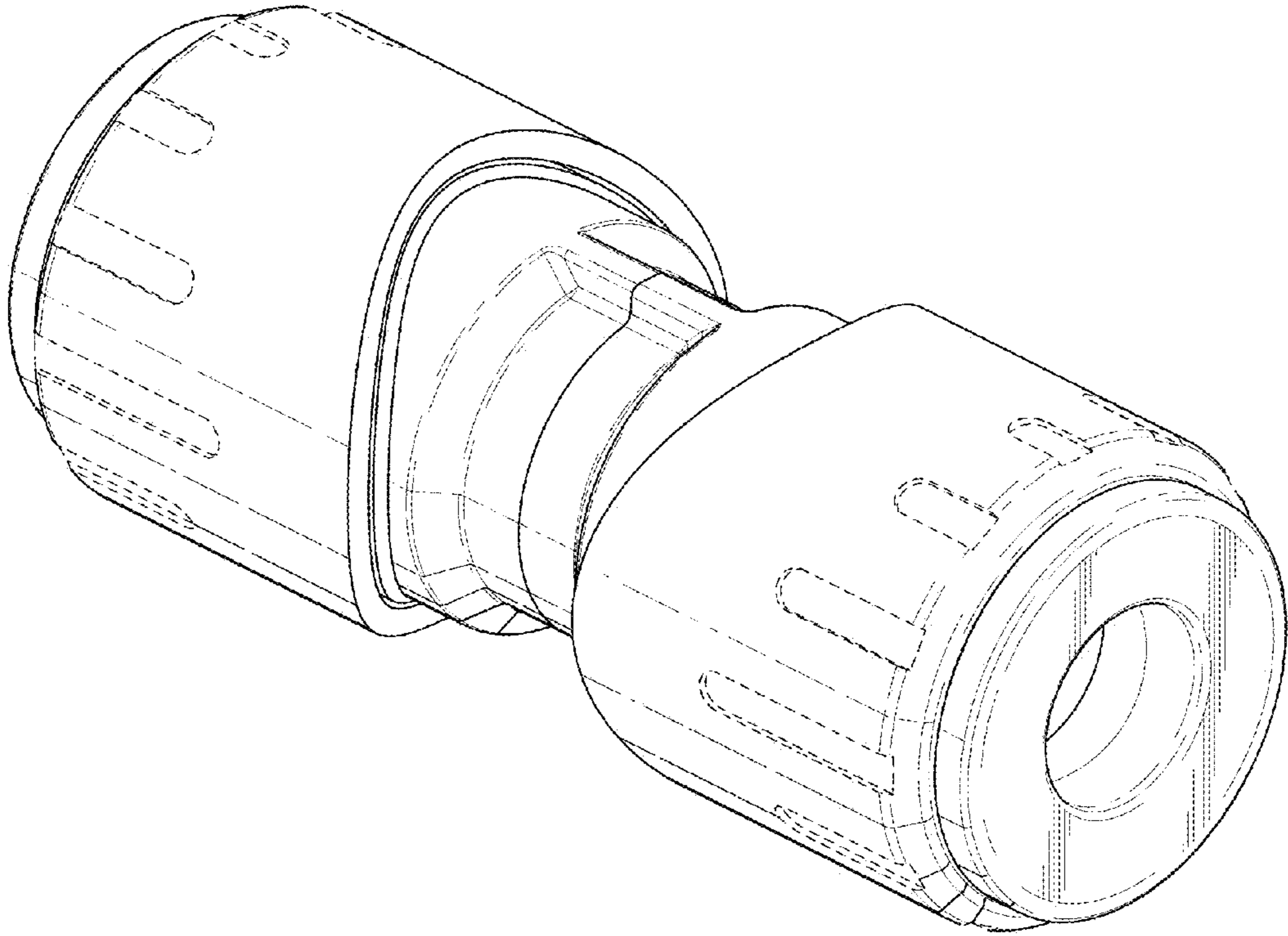


FIG. 1

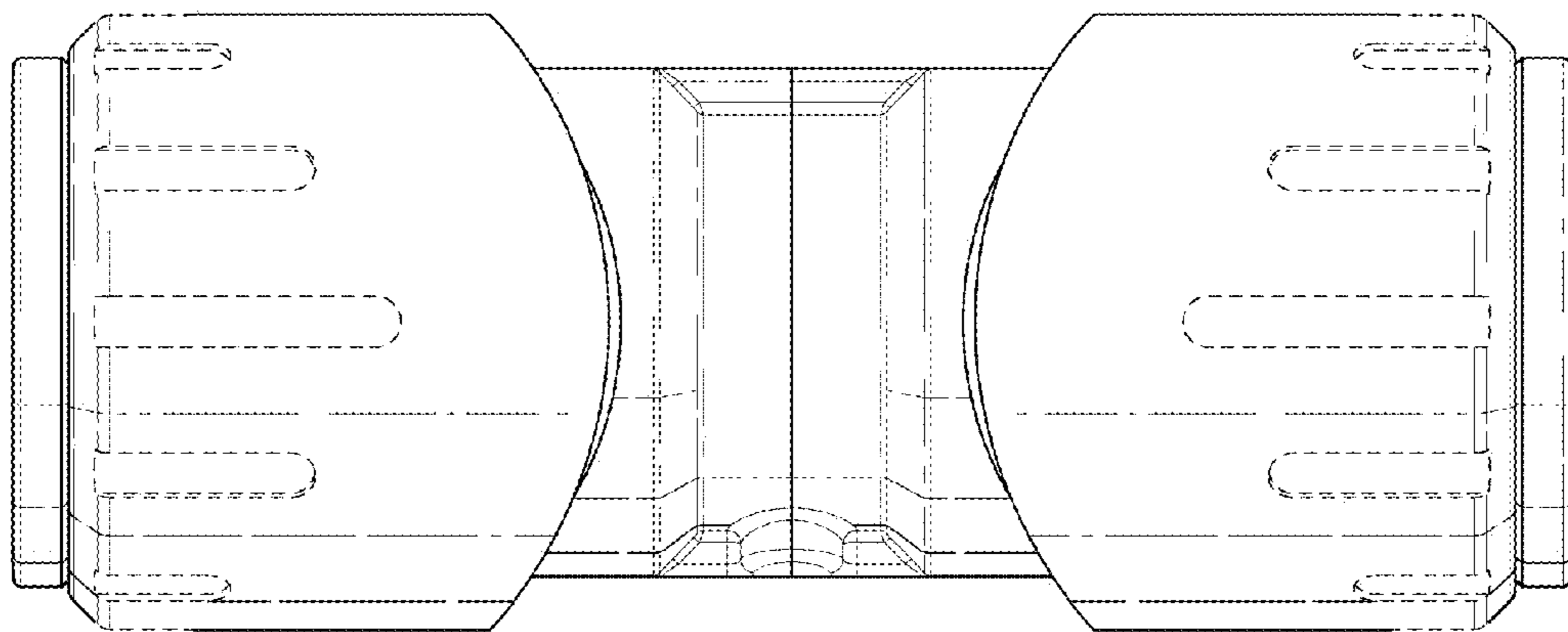


FIG. 2

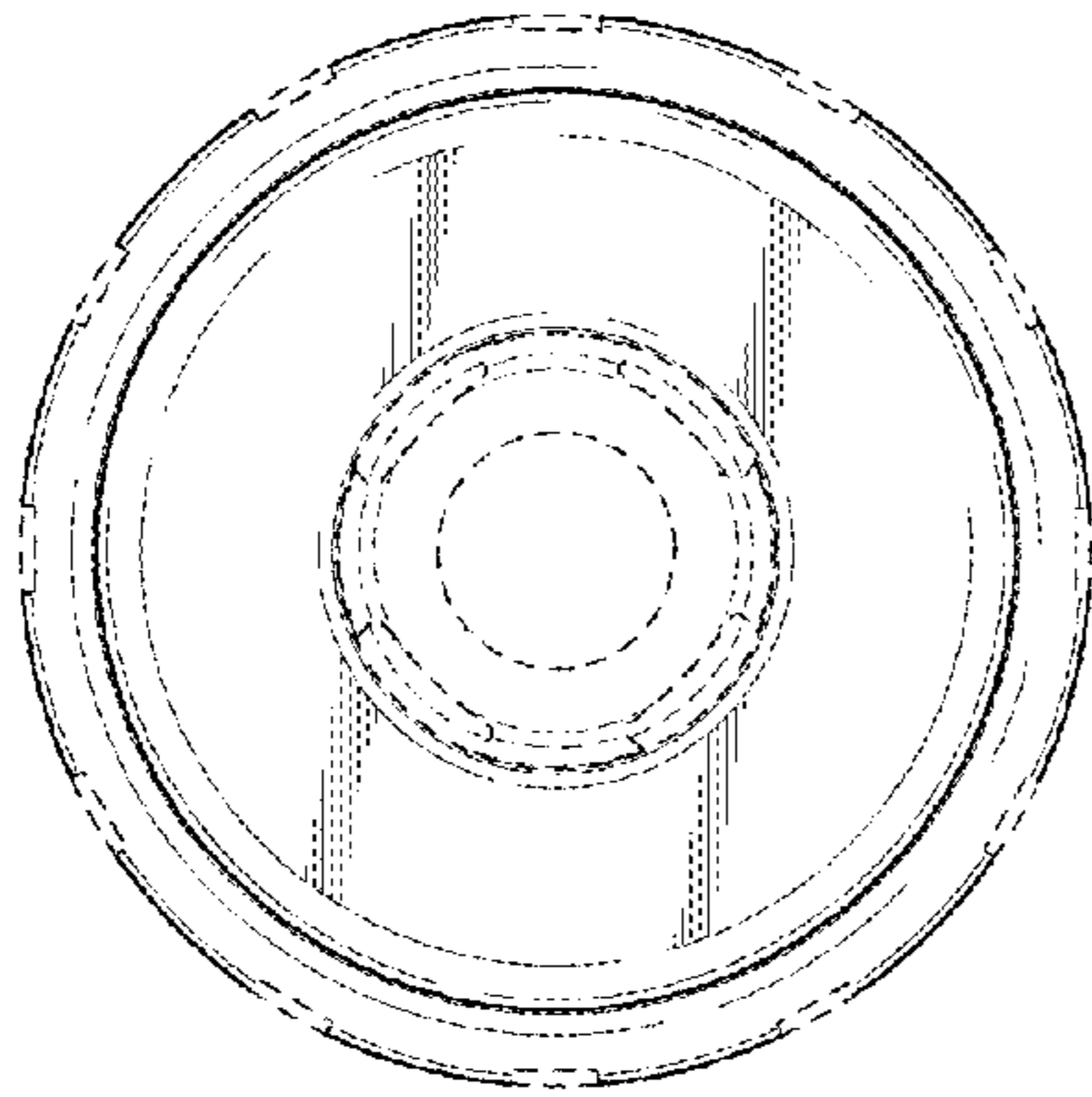


FIG. 3

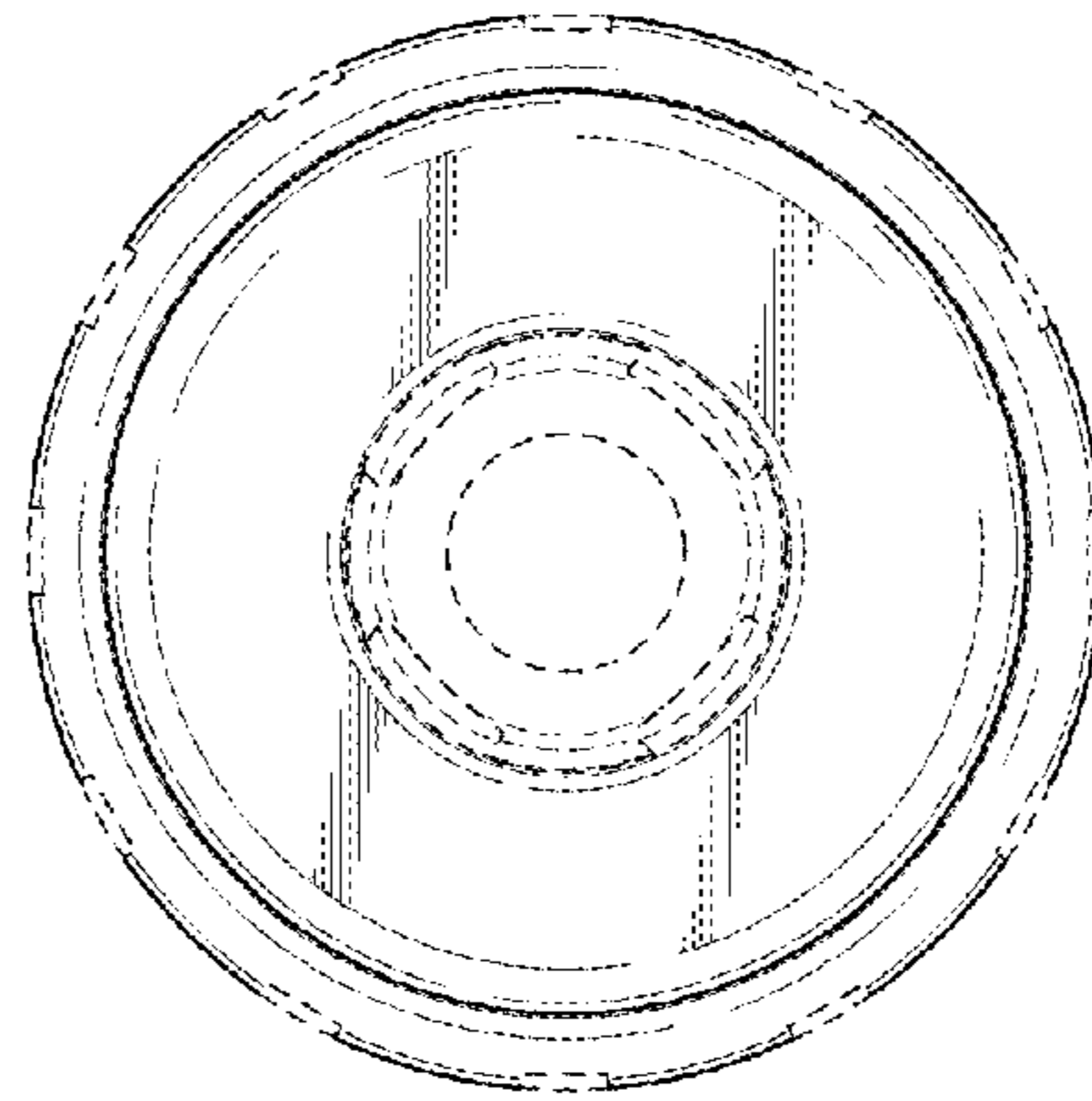


FIG. 4

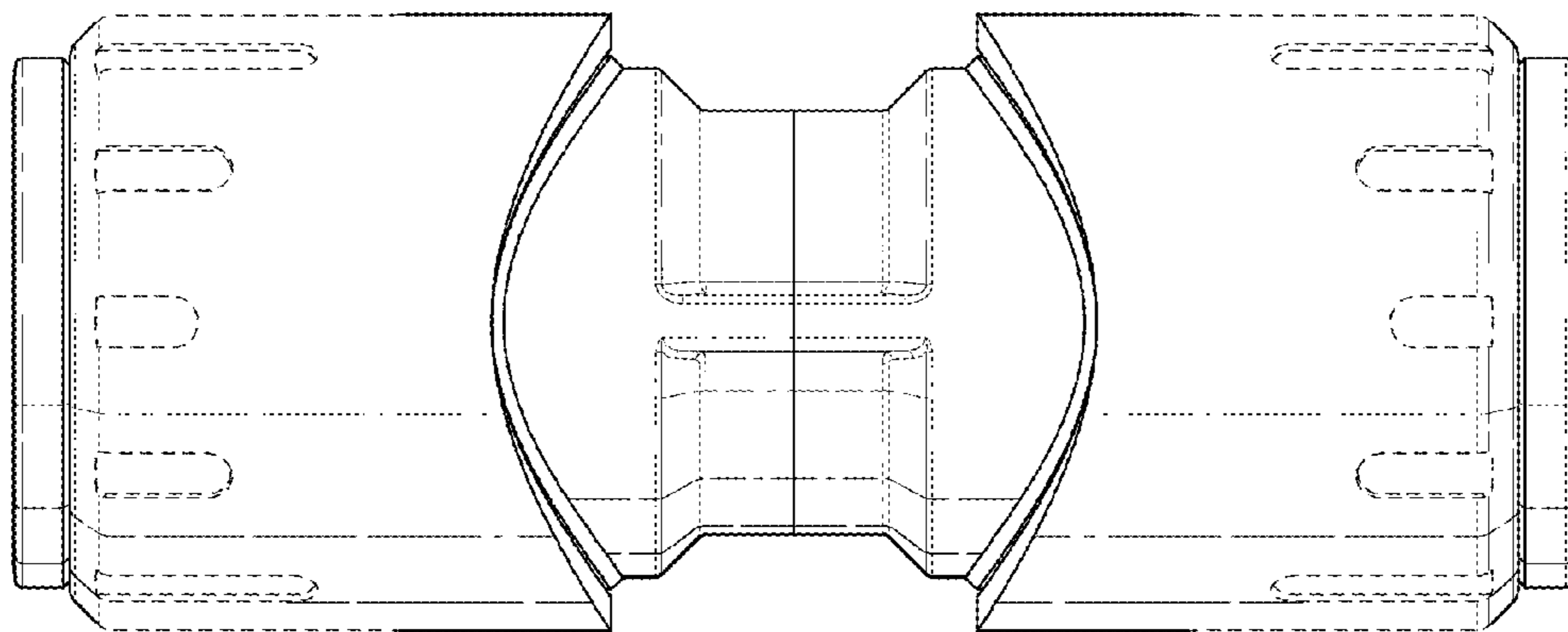


FIG. 5

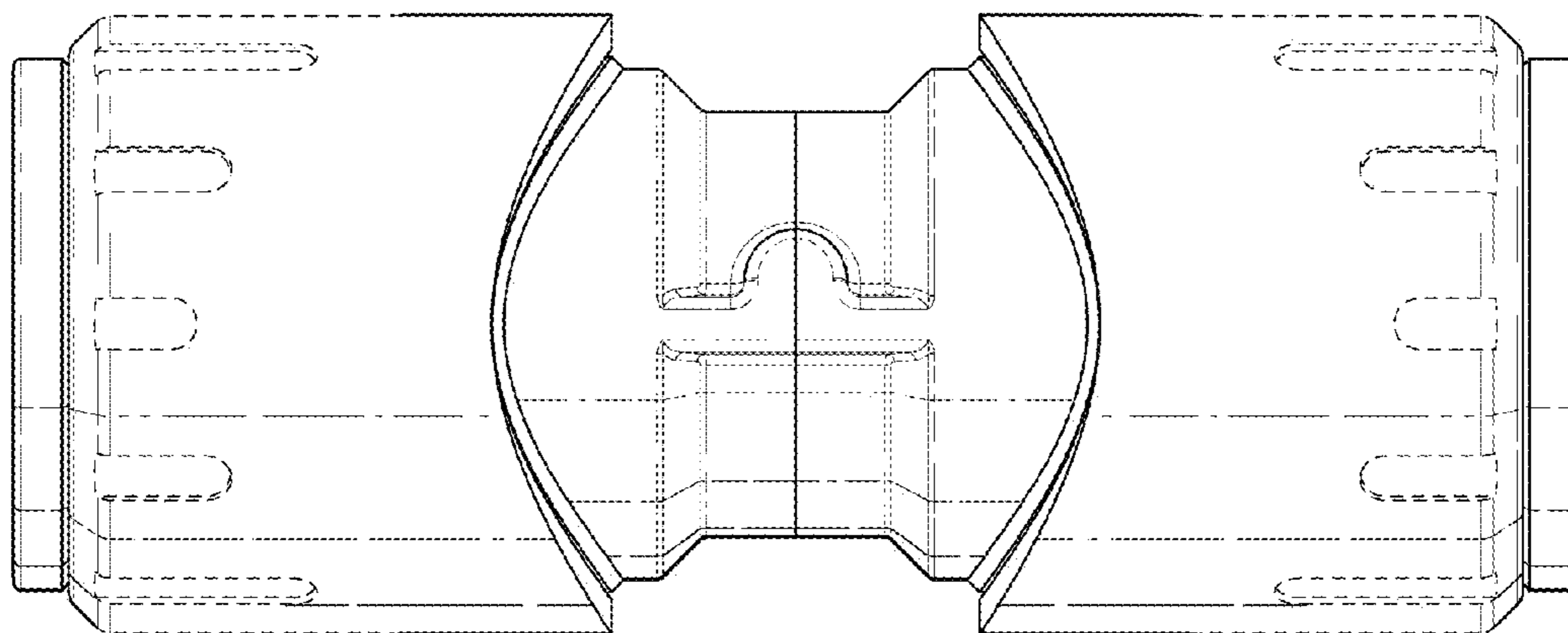


FIG. 6

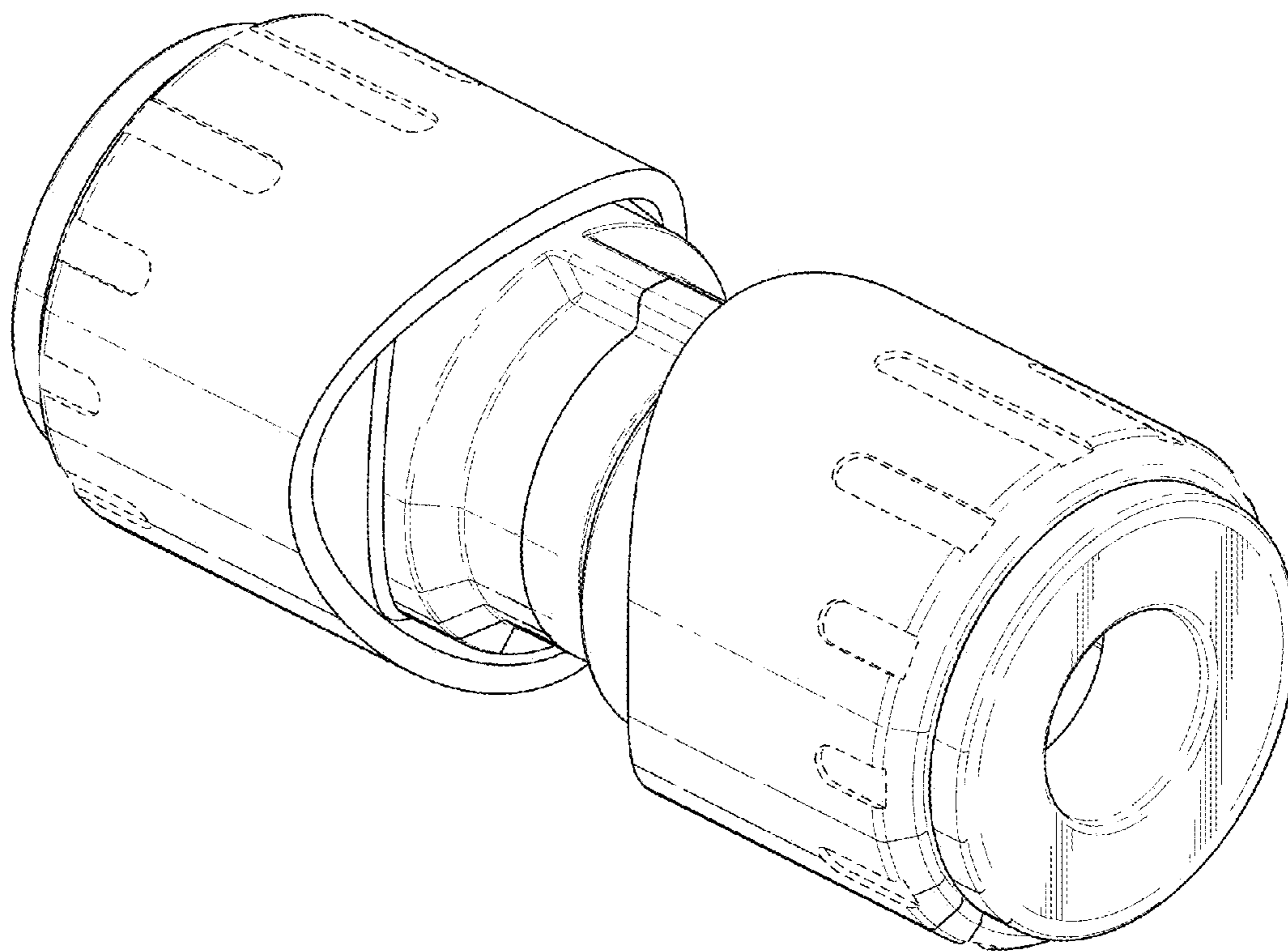


FIG. 7