



US00D741455S

(12) **United States Design Patent**
Bahler

(10) **Patent No.:** **US D741,455 S**

(45) **Date of Patent:** **** Oct. 20, 2015**

- (54) **VALVE**
- (71) Applicant: **Delta Faucet Company**, Indianapolis, IN (US)
- (72) Inventor: **Jordan Renee Bahler**, Frankfort, IN (US)
- (73) Assignee: **DELTA FAUCET COMPANY**, Indianapolis, IN (US)

D319,294 S *	8/1991	Kohler et al.	D23/254
D322,839 S *	12/1991	Kohler, Jr.	D23/254
D576,708 S *	9/2008	Citterio	D23/238
D592,284 S *	5/2009	Lammel et al.	D23/254
D679,781 S *	4/2013	Flowers et al.	D23/250

* cited by examiner

Primary Examiner — Robert Delehanty

(74) *Attorney, Agent, or Firm* — Edgar A. Zarins; Nirav D. Parikh

- (**) Term: **14 Years**
- (21) Appl. No.: **29/514,050**

(57) **CLAIM**

The ornamental design for a valve, as shown and described.

- (22) Filed: **Jan. 8, 2015**
- (51) **LOC (10) Cl.** **23-01**
- (52) **U.S. Cl.**
USPC **D23/252**; D23/242
- (58) **Field of Classification Search**
USPC D23/238, 241–243, 249, 250, 252
CPC E03C 1/04; E03C 1/0401; E03C 1/0402;
E03C 1/0404
See application file for complete search history.

DESCRIPTION

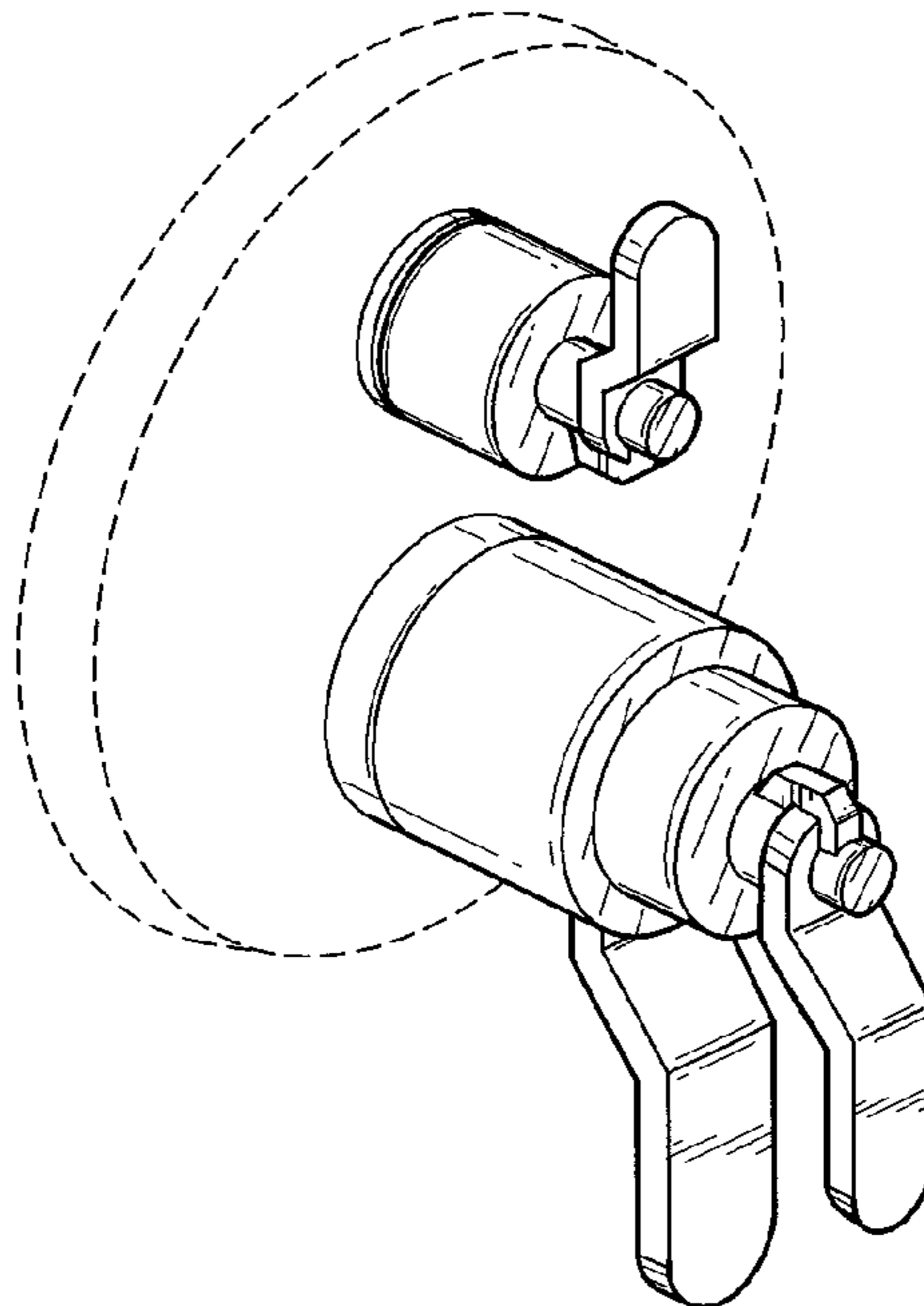
FIG. 1 is a perspective view of a valve showing my new design;
 FIG. 2 is a front elevational view thereof;
 FIG. 3 is a left side view thereof, the opposite side being a mirror image of the side shown;
 FIG. 4 is a top plan view thereof; and,
 FIG. 5 is a bottom view thereof.
 The broken lines shown in the drawings are included for the purpose of illustrating a portion of the valve that forms no part of the claimed design.

(56) **References Cited**

U.S. PATENT DOCUMENTS

D287,164 S *	12/1986	Piesco	D23/252
D318,319 S *	7/1991	Rokita	D23/238

1 Claim, 2 Drawing Sheets



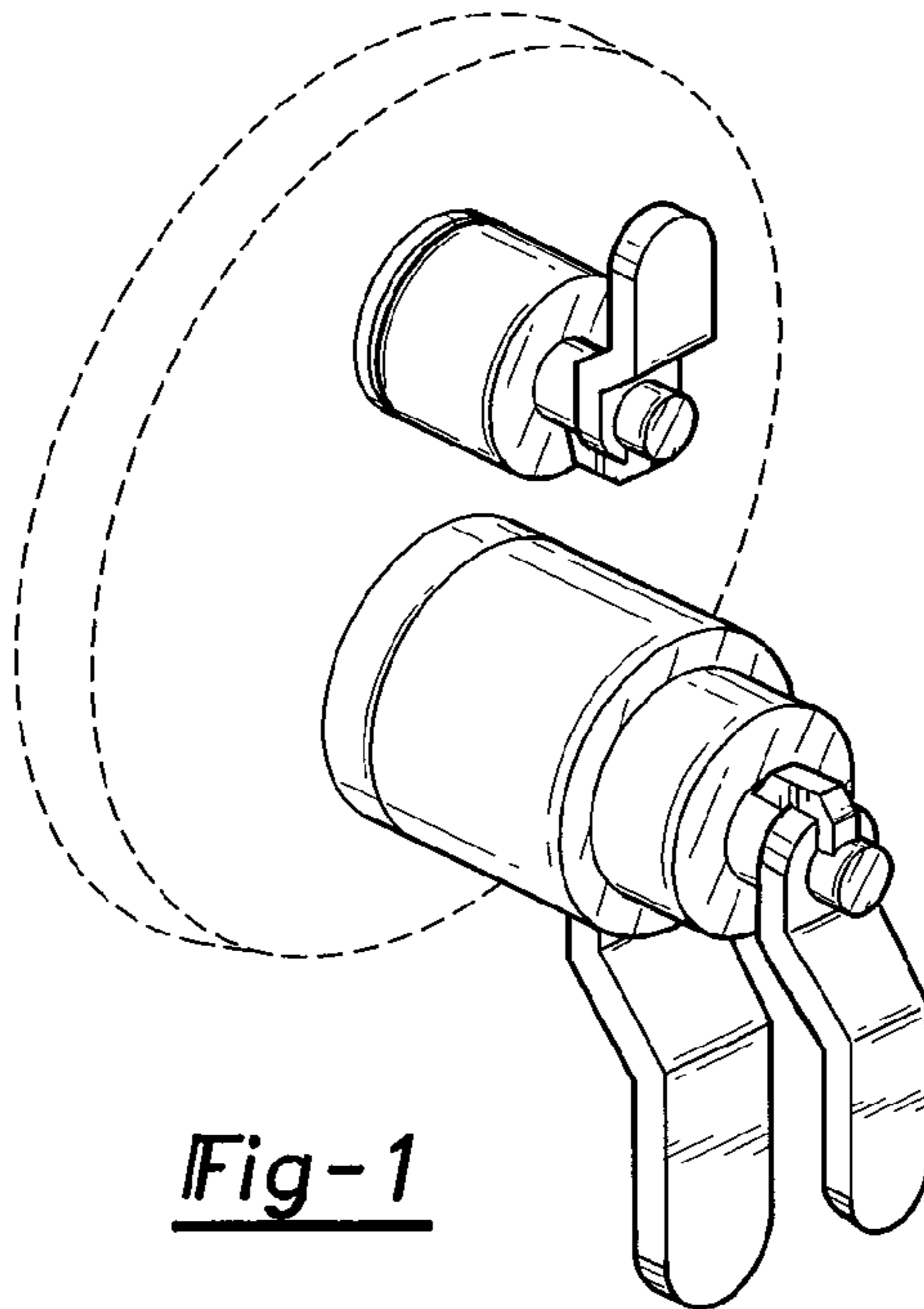


Fig-1

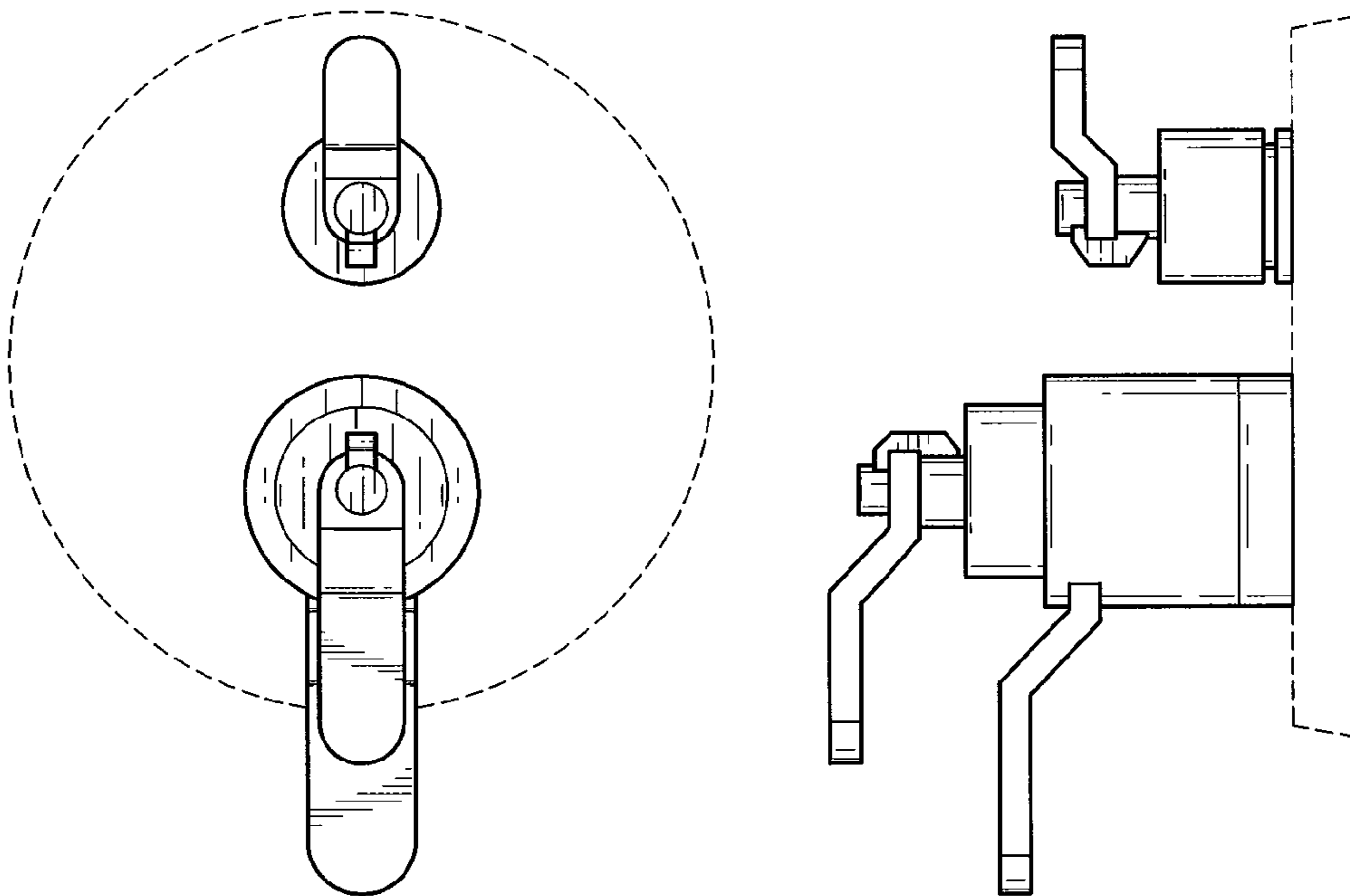


Fig-2

Fig-3

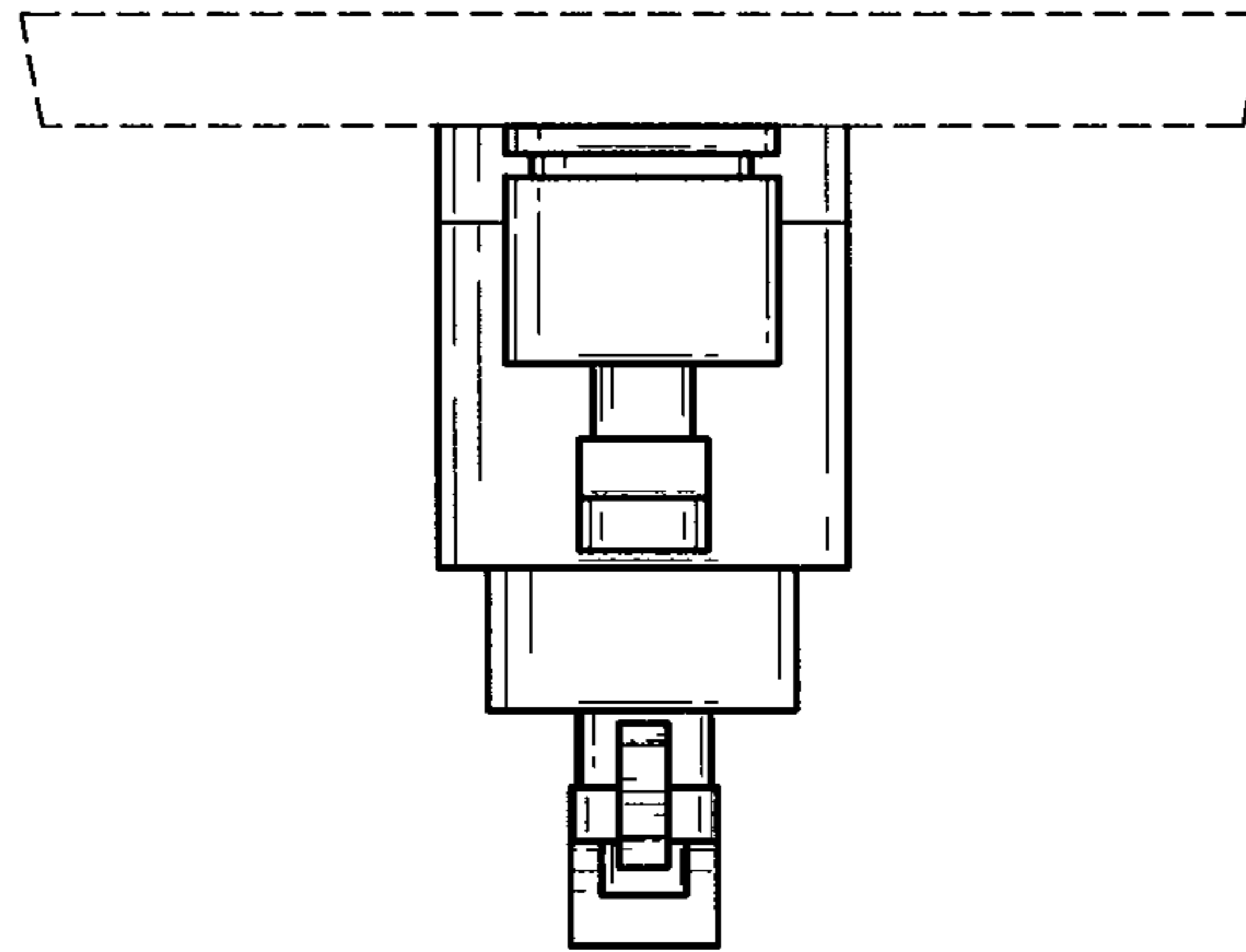


Fig-4

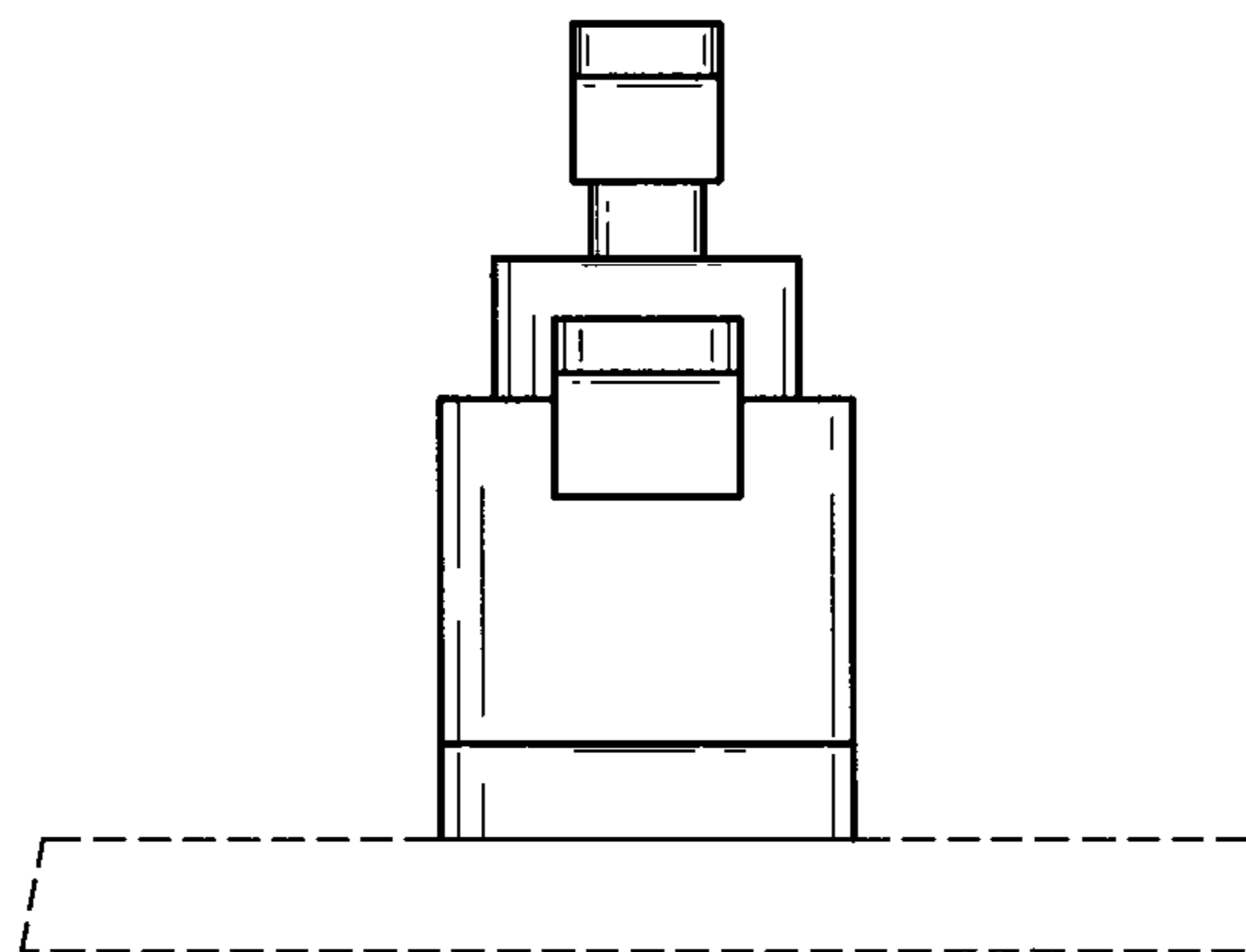


Fig-5