



US00D741451S

(12) **United States Design Patent**
Moore et al.

(10) **Patent No.:** **US D741,451 S**
(45) **Date of Patent:** **** Oct. 20, 2015**

- (54) **WATERING CAN**
- (71) Applicant: **Sorcit Limited**, Nottingham (GB)
- (72) Inventors: **Shaun Moore**, Nottingham (GB); **David Fannin**, Nottingham (GB)
- (73) Assignee: **SORCIT LIMITED**, Nottingham (GB)
- (**) Term: **14 Years**
- (21) Appl. No.: **29/488,500**
- (22) Filed: **Apr. 21, 2014**
- (51) **LOC (10) Cl.** **23-01**
- (52) **U.S. Cl.**
USPC **D23/212**
- (58) **Field of Classification Search**
USPC D23/212; 222/465.1, 566; 239/375-378
See application file for complete search history.

- 1,595,650 A * 8/1926 Edenharder et al. 239/377
- 1,699,459 A * 1/1929 Ullrich 239/377
- D241,032 S * 8/1976 Burke et al. D23/212
- D279,310 S * 6/1985 Murphy D23/212
- D459,431 S * 6/2002 Rosenberg D23/212
- 7,066,358 B2 * 6/2006 Monsalve et al. 222/158

* cited by examiner

Primary Examiner — Robin V Webster

(57) **CLAIM**
The ornamental design for a watering can, as shown and described.

DESCRIPTION

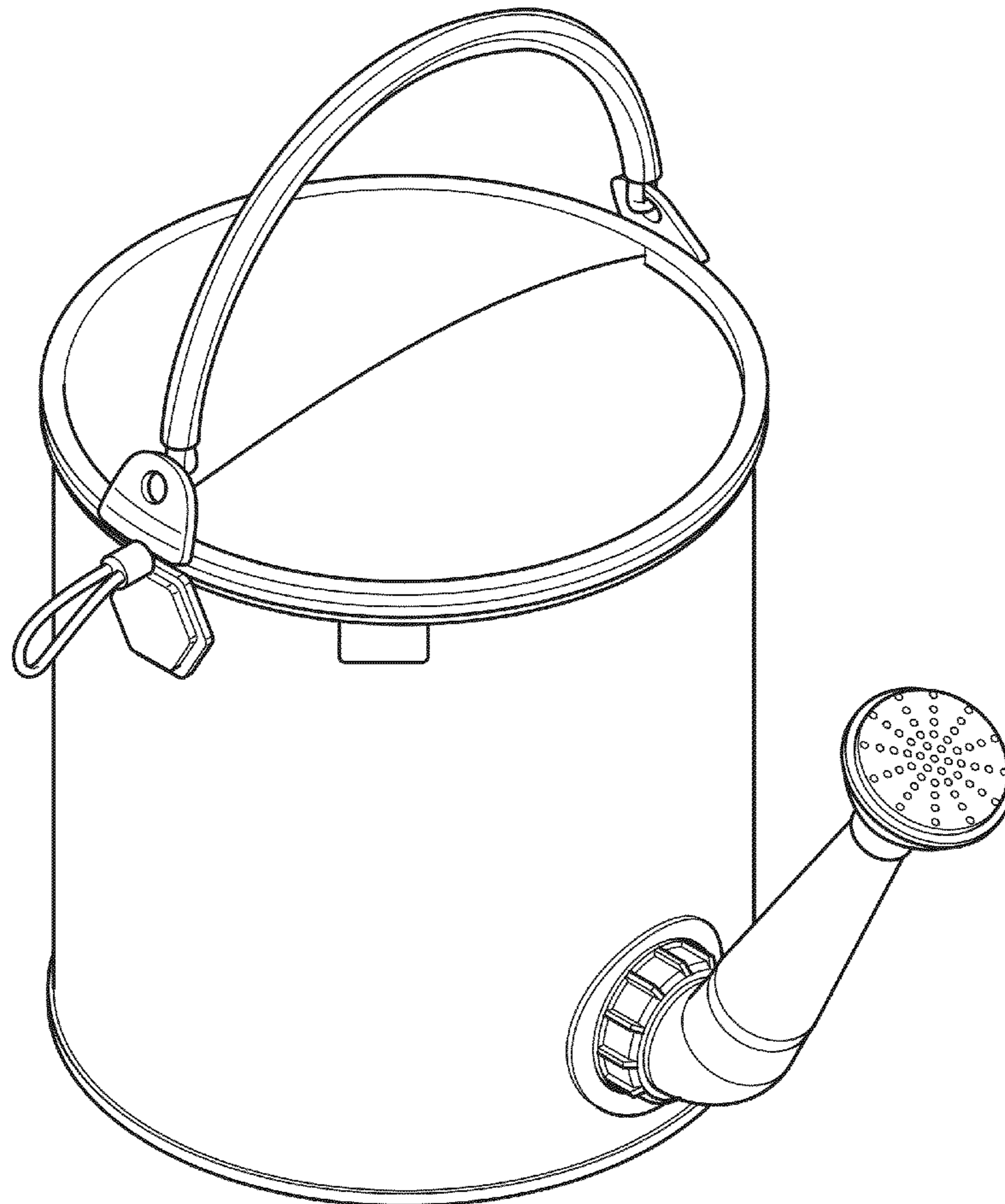
FIG. 1 is a perspective view of a watering can showing our new design;
FIG. 2 is a front elevation view thereof;
FIG. 3 is a rear elevation view thereof;
FIG. 4 is a left side view thereof;
FIG. 5 is a right side view thereof;
FIG. 6 is a top plan view thereof; and,
FIG. 7 is a bottom plan view thereof.
The broken line showing is for environmental purposes only and forms no part of the claimed design.

1 Claim, 7 Drawing Sheets

(56) **References Cited**

U.S. PATENT DOCUMENTS

- 756,190 A * 3/1904 Tracey 222/566
- D56,774 S * 12/1920 Sroka D23/212



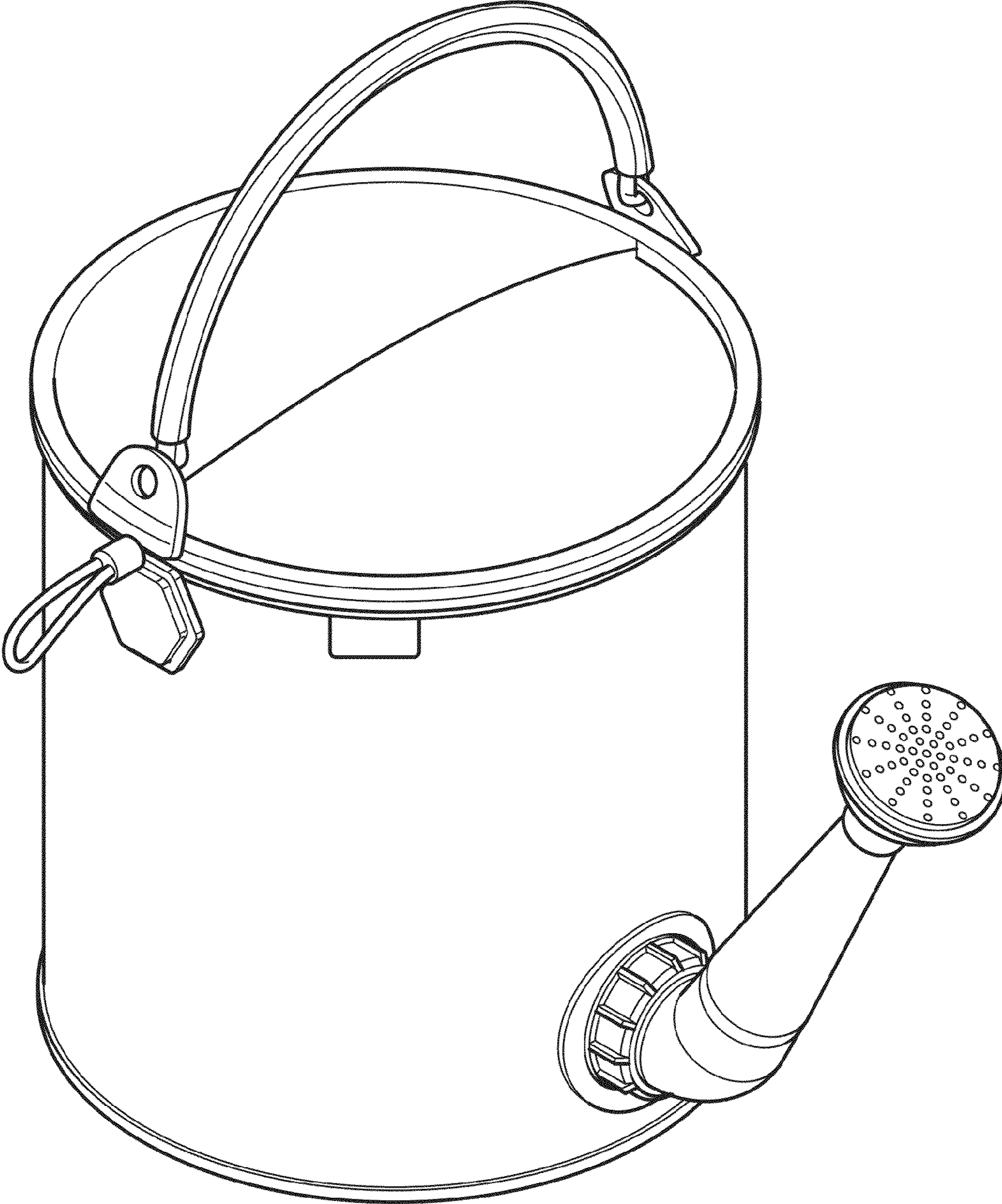


FIG. 1

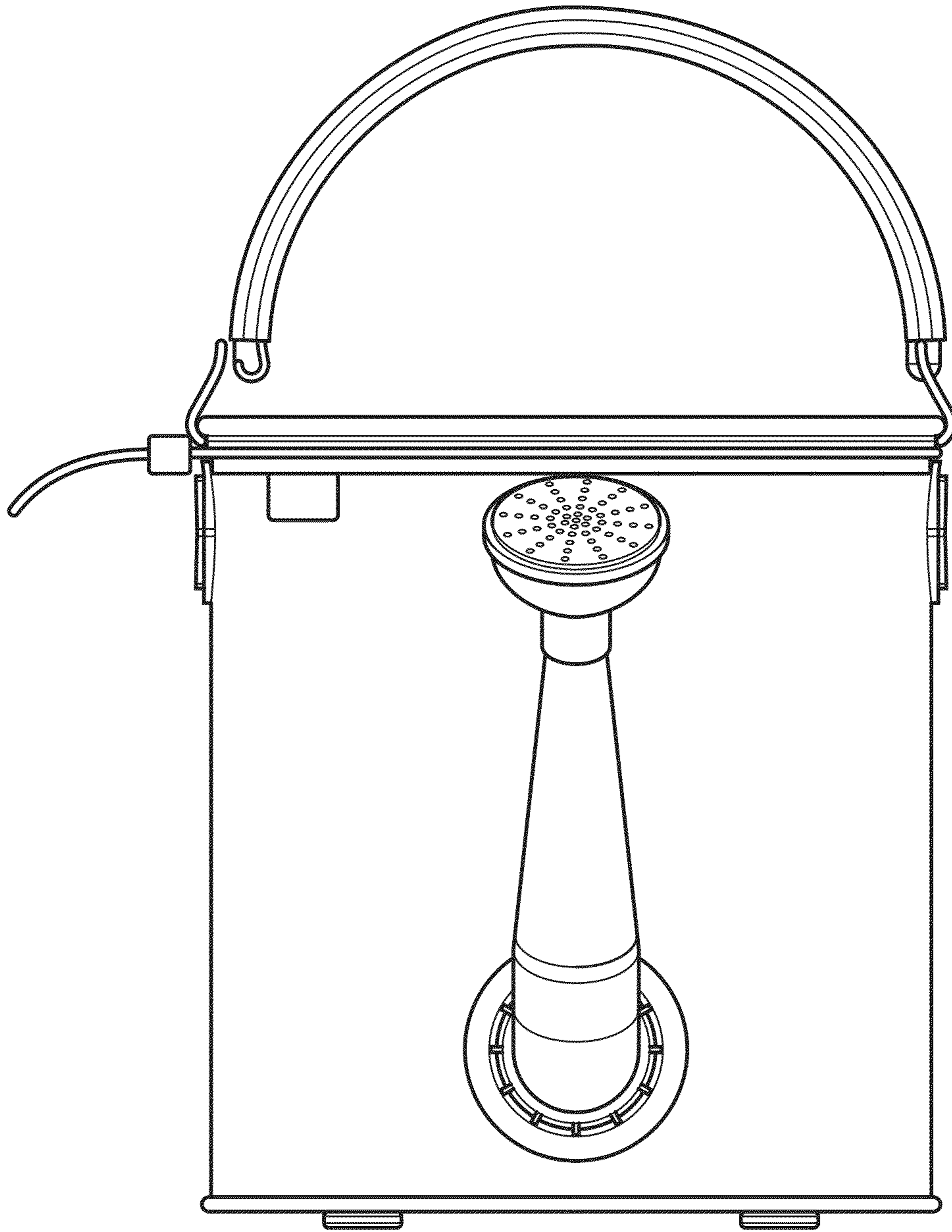


FIG. 2

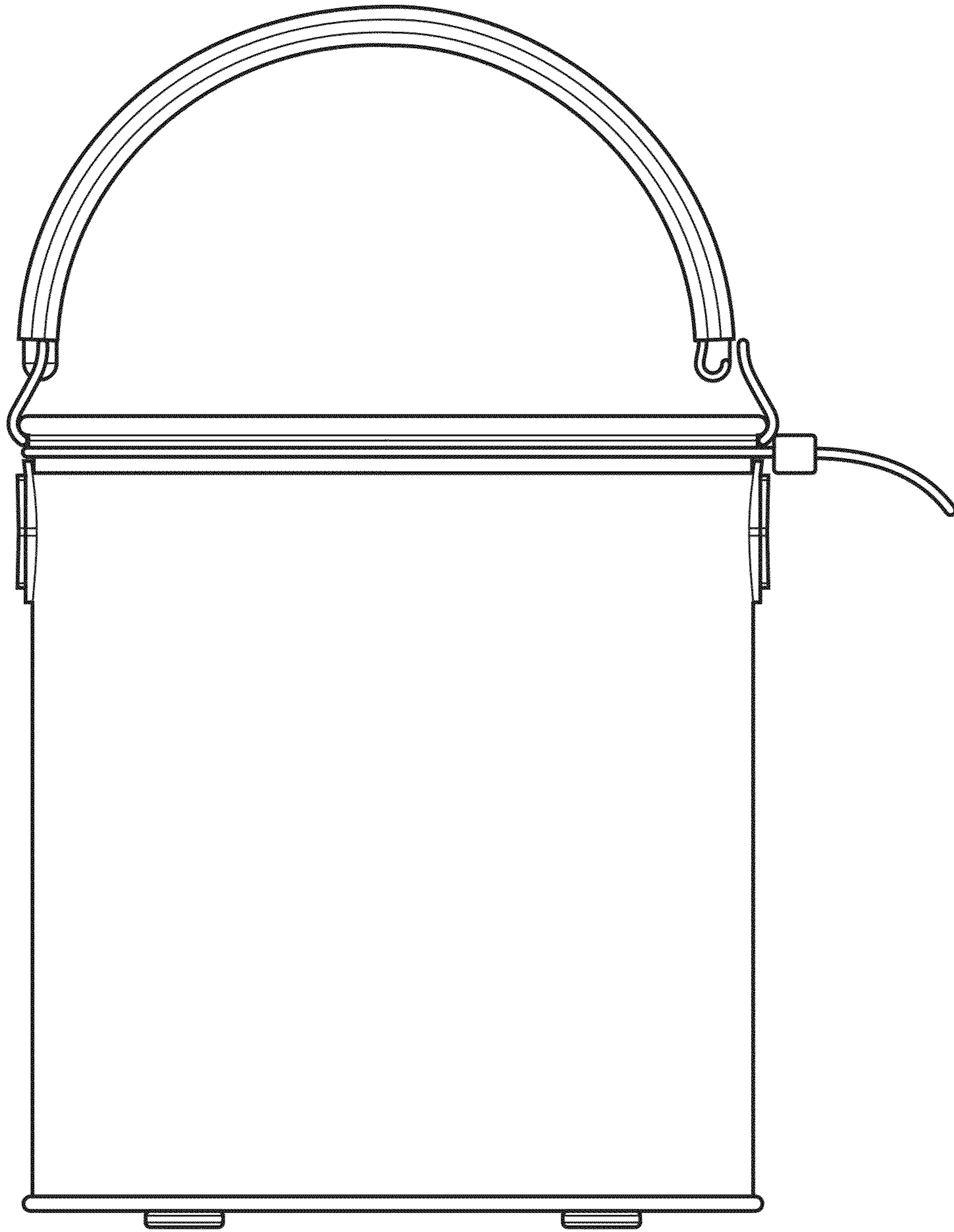


FIG. 3

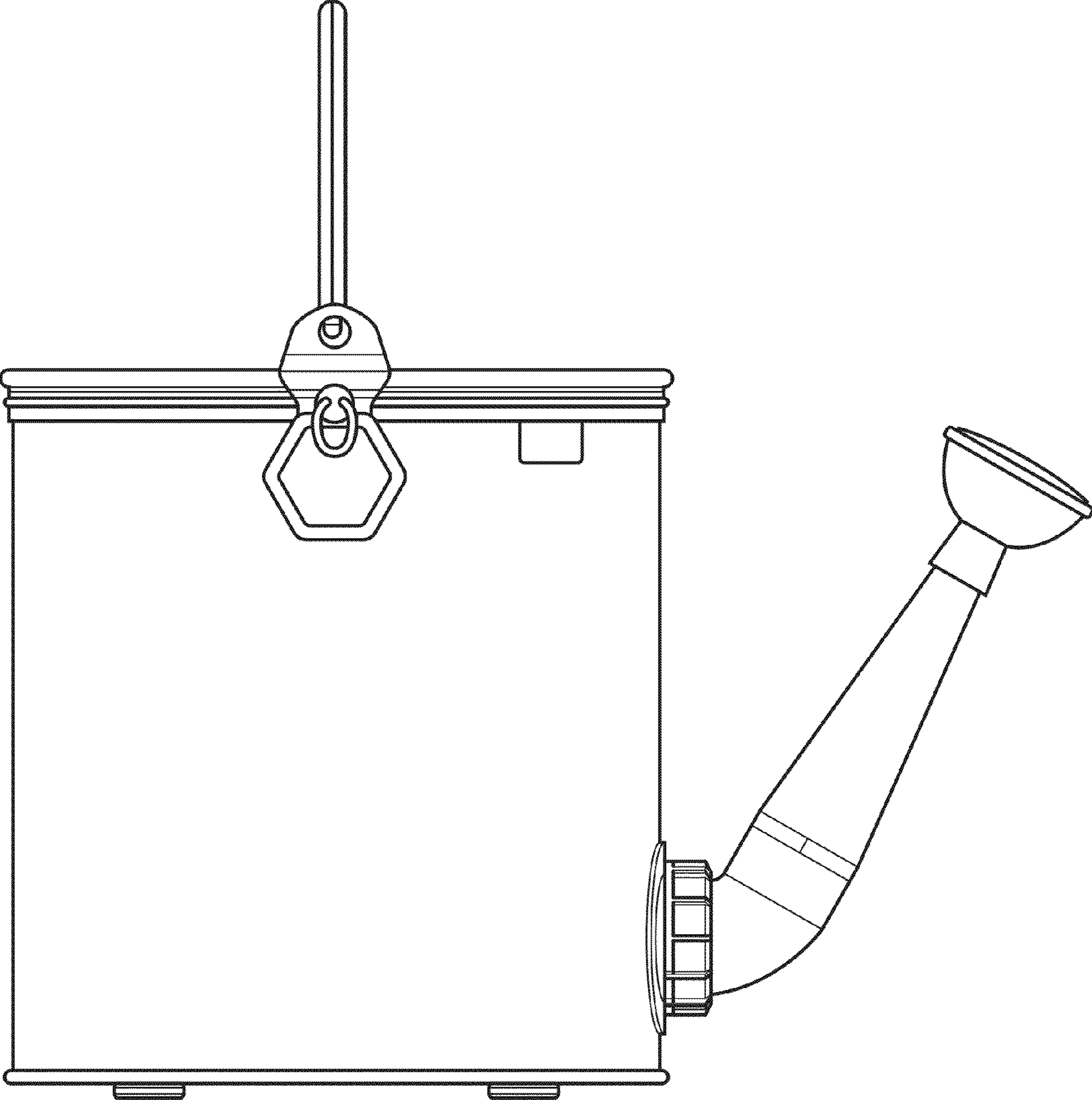


FIG. 4

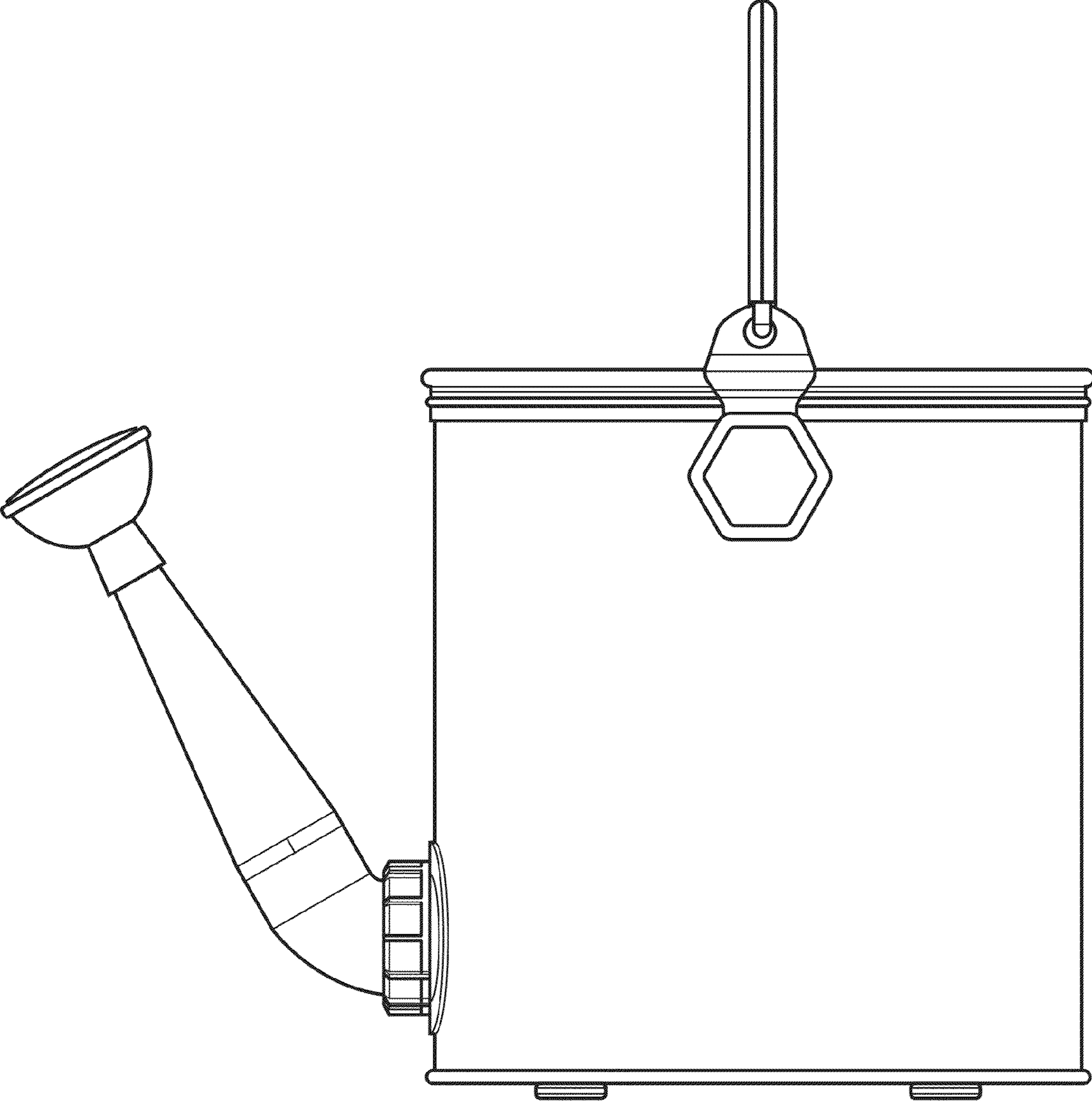


FIG. 5

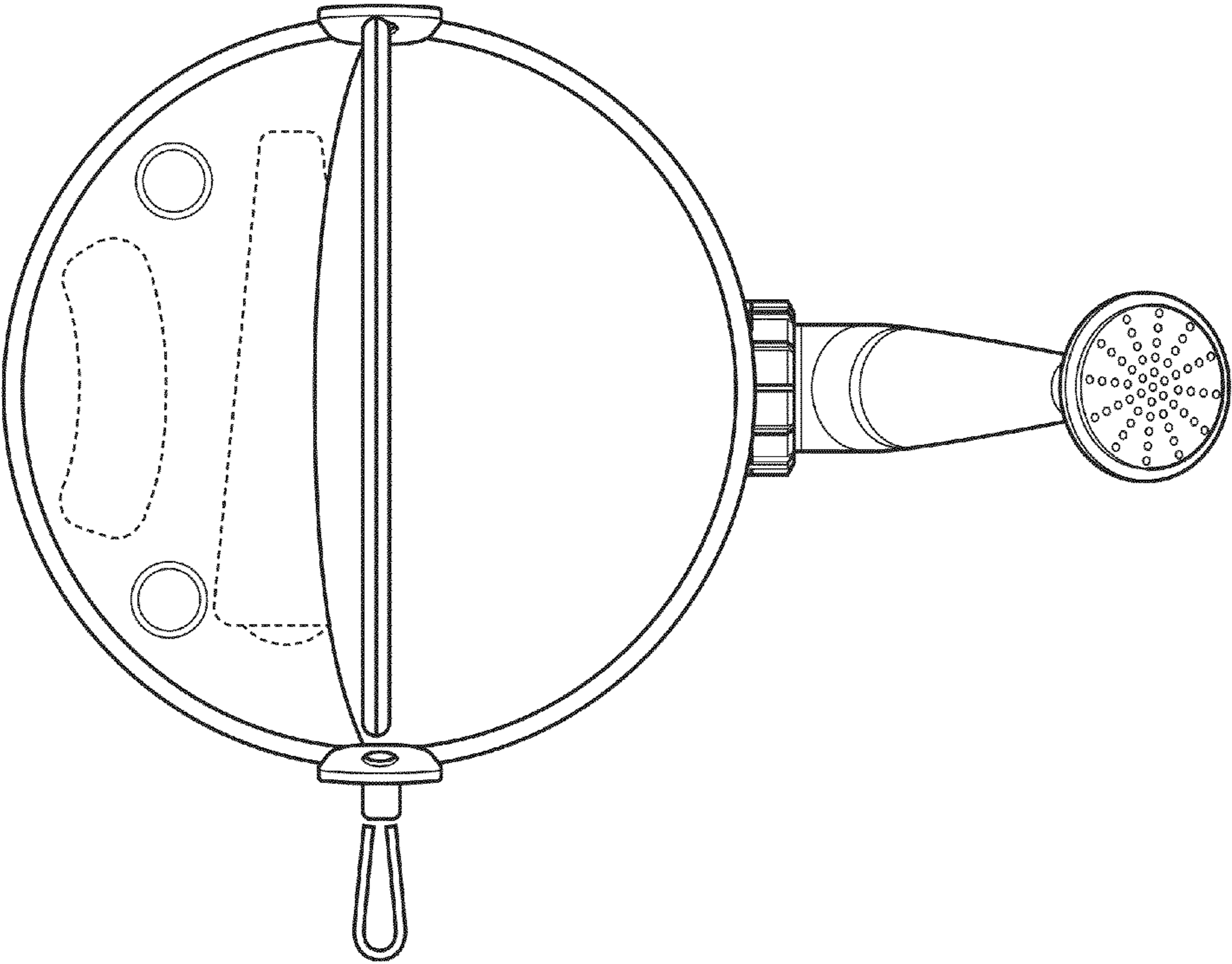


Fig. 6

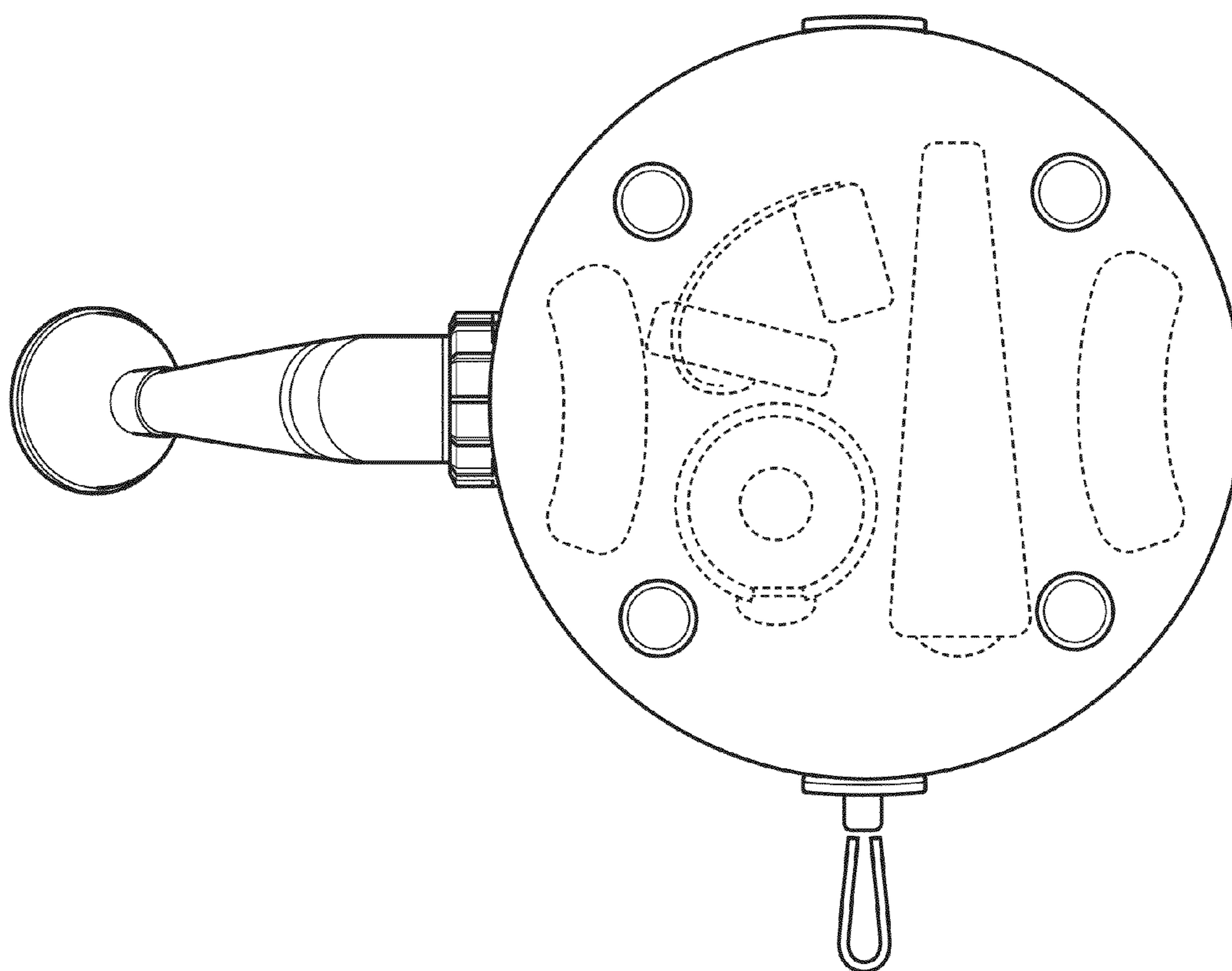


Fig. 7