



US00D741450S

(12) **United States Design Patent**
Berenson

(10) **Patent No.:** **US D741,450 S**
(45) **Date of Patent:** **** Oct. 20, 2015**

- (54) **WATER TREATMENT DEVICE**
- (71) Applicant: **Micasa Trading Corp.**, Miami, FL (US)
- (72) Inventor: **Steven C. Berenson**, Miami Beach, FL (US)
- (73) Assignee: **Micasa Trading Corp.**, Miami, FL (US)
- (**) Term: **14 Years**
- (21) Appl. No.: **29/496,705**
- (22) Filed: **Jul. 16, 2014**
- (51) **LOC (10) Cl.** **23-01**
- (52) **U.S. Cl.**
USPC **D23/208; D23/207**
- (58) **Field of Classification Search**
USPC D23/207, 208, 209; 210/416.2, 198.1, 210/167.11, 167.12, 242.1; 422/264, 265
See application file for complete search history.

- D621,001 S * 8/2010 Maziel et al. D23/209
- 8,728,406 B2 * 5/2014 Van Der Meijden et al. . 422/263
- D709,986 S * 7/2014 Shibata D23/208

* cited by examiner

Primary Examiner — Robin V Webster
(74) *Attorney, Agent, or Firm* — The Concept Law Group, P.A.; Scott D. Smiley; Yongae Jun

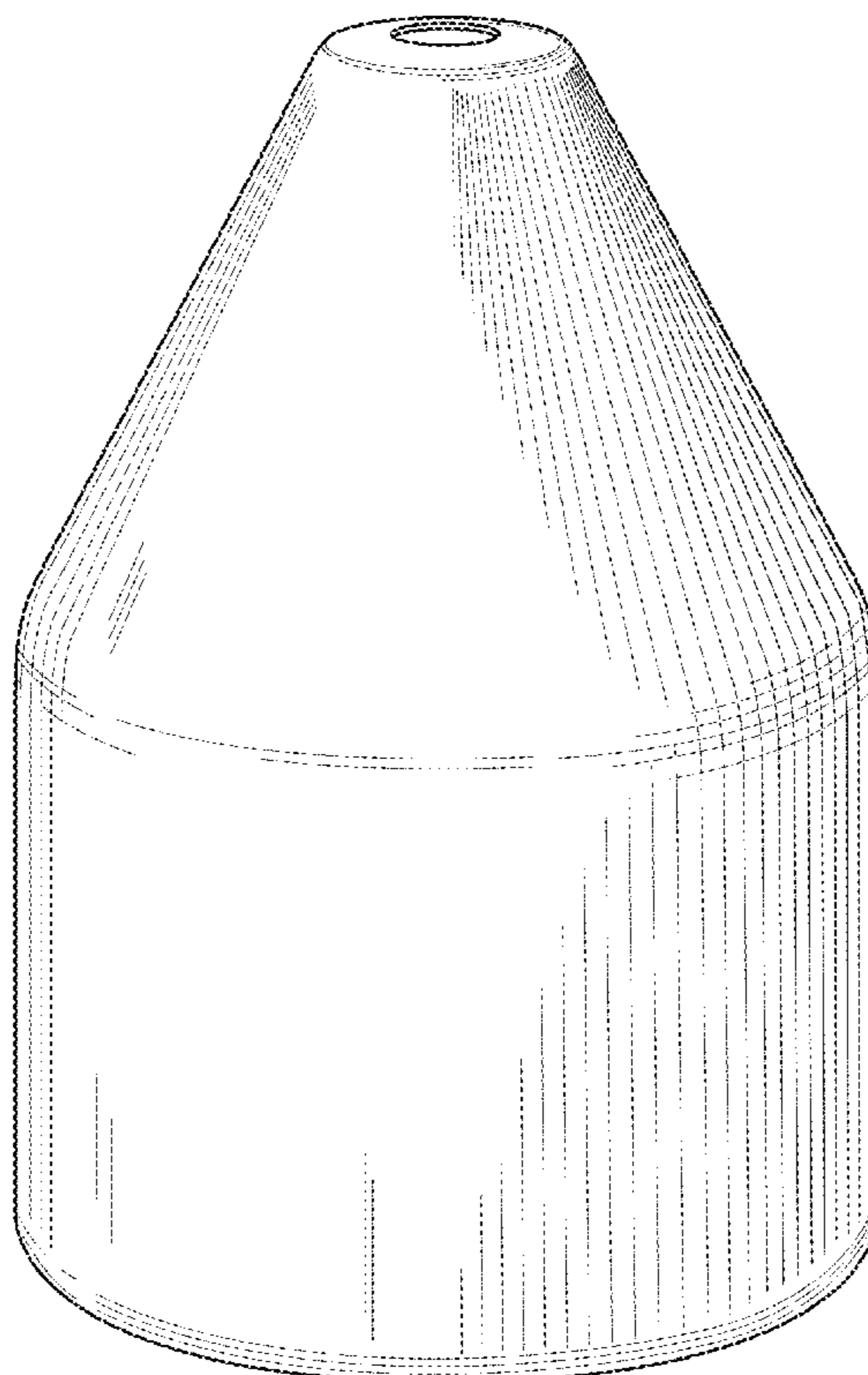
(57) **CLAIM**
The ornamental design for a water treatment device, as shown and described.

DESCRIPTION

FIG. 1 is a perspective downward-looking view of a water treatment device in accordance with the present invention; FIG. 2 is an elevational front view of the water treatment device of FIG. 1; FIG. 3 is an elevational rear view of the water treatment device of FIG. 1; FIG. 4 is an elevational left-side view of the water treatment device of FIG. 1; FIG. 5 is an elevational right-side view of the water treatment device of FIG. 1; FIG. 6 is a top view of the water treatment device of FIG. 1; and, FIG. 7 is a bottom view of the water treatment device of FIG. 1.

1 Claim, 3 Drawing Sheets

- (56) **References Cited**
U.S. PATENT DOCUMENTS
5,055,183 A * 10/1991 Buchan 210/85
D360,676 S 7/1995 Weck et al.
6,190,547 B1 * 2/2001 King et al. 210/167.11
D555,759 S * 11/2007 Vreeland D23/209
7,291,261 B1 * 11/2007 Rhodes 210/167.11
D620,999 S * 8/2010 Vreeland D23/209



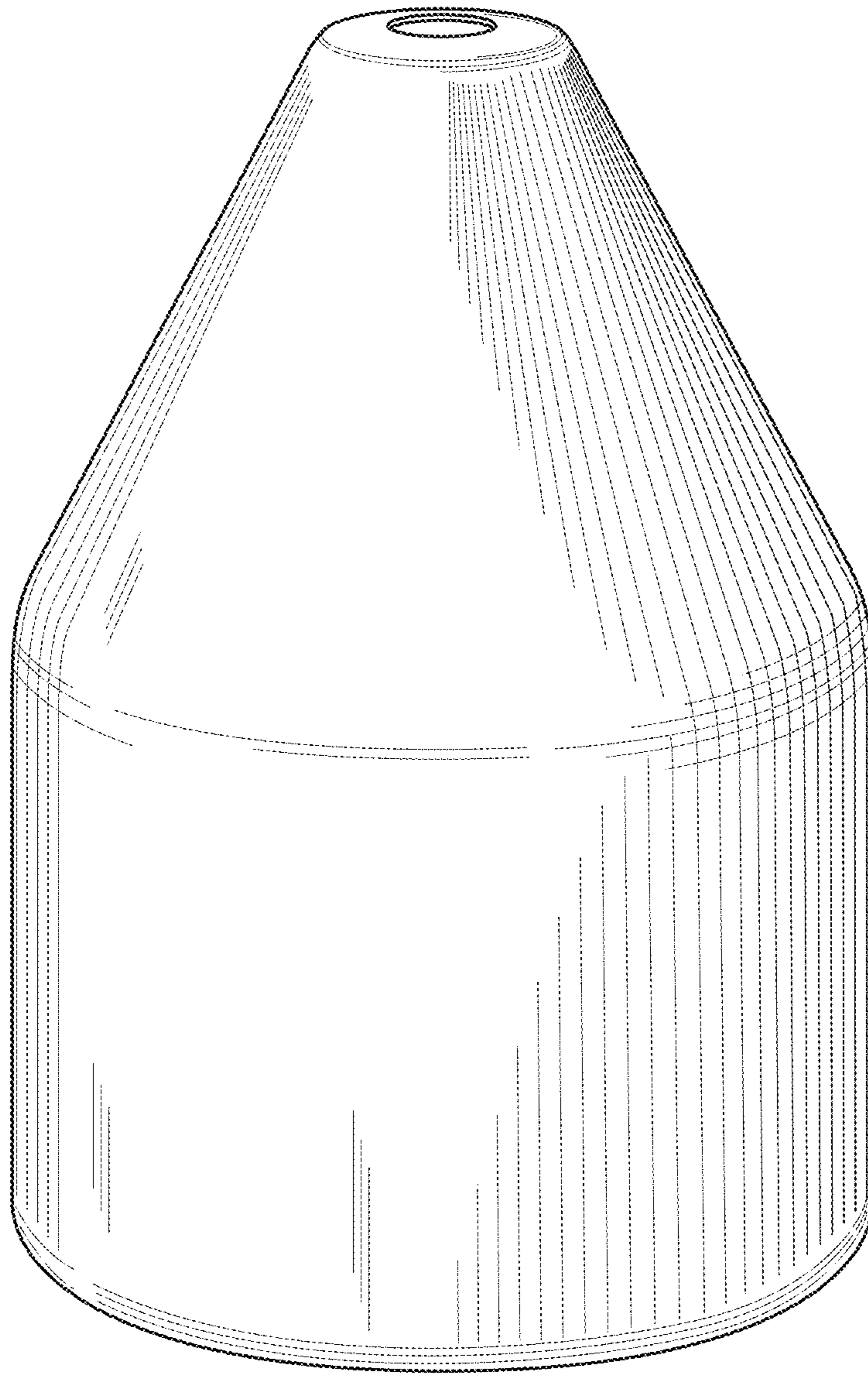


FIG. 1

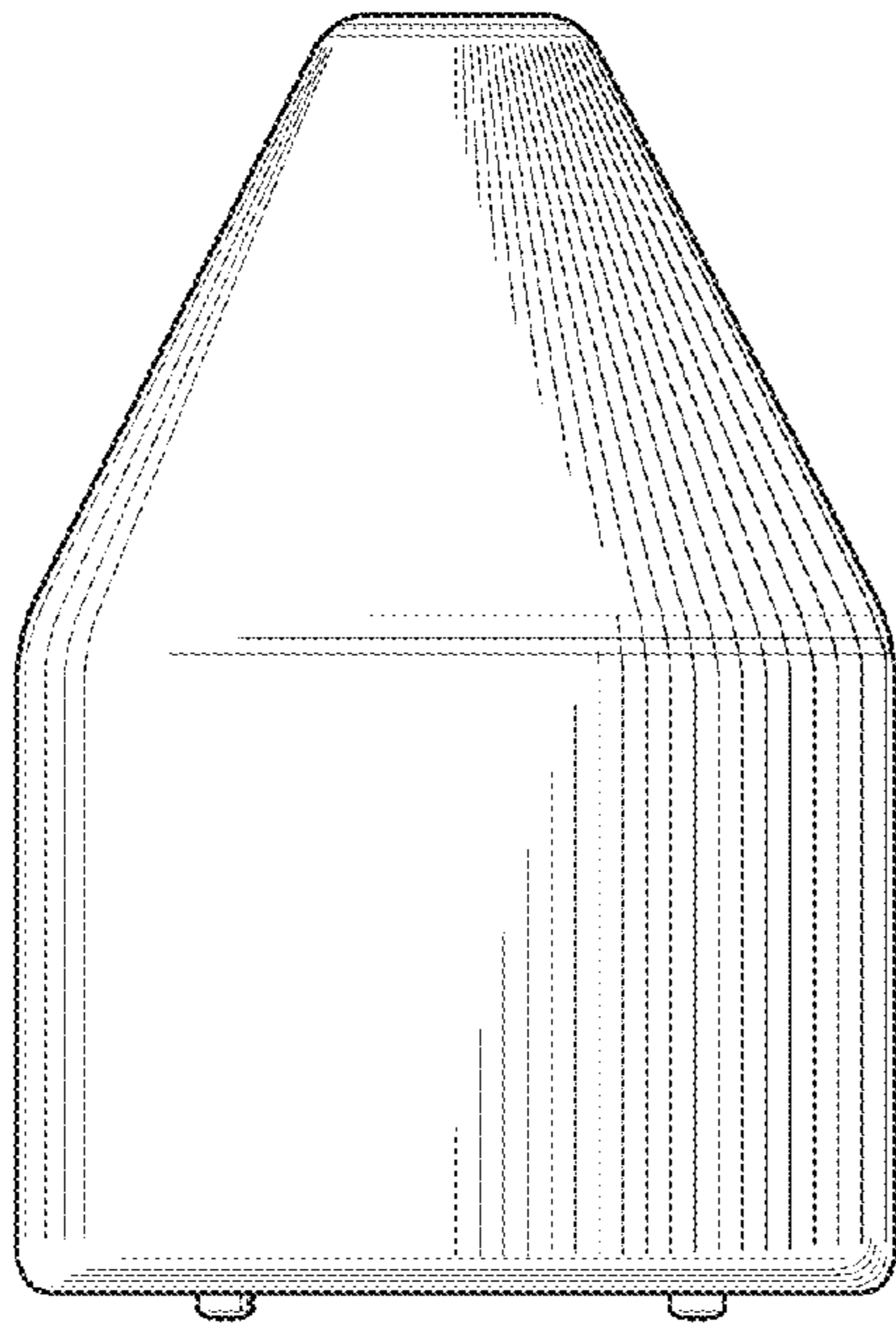


FIG. 2

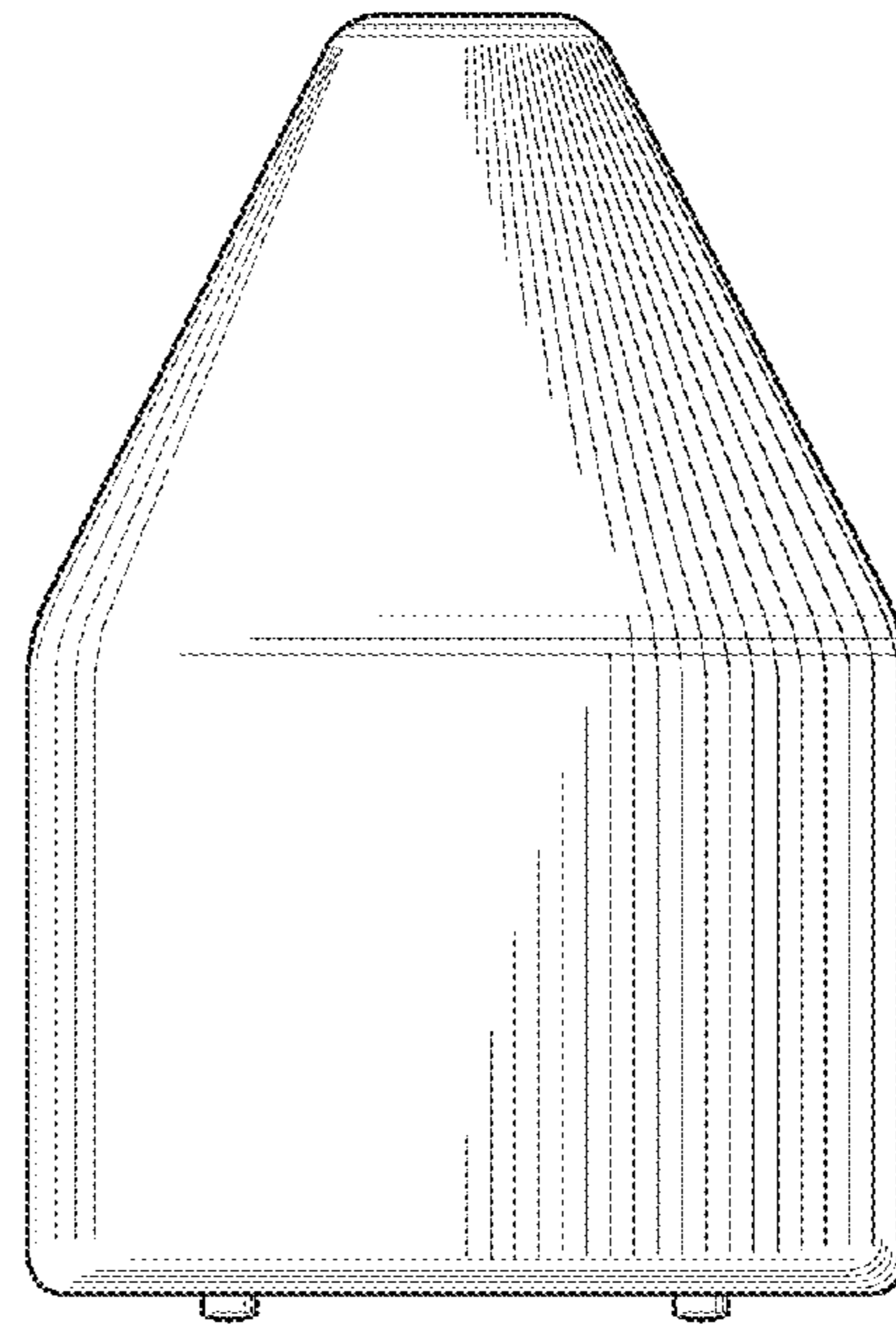


FIG. 3

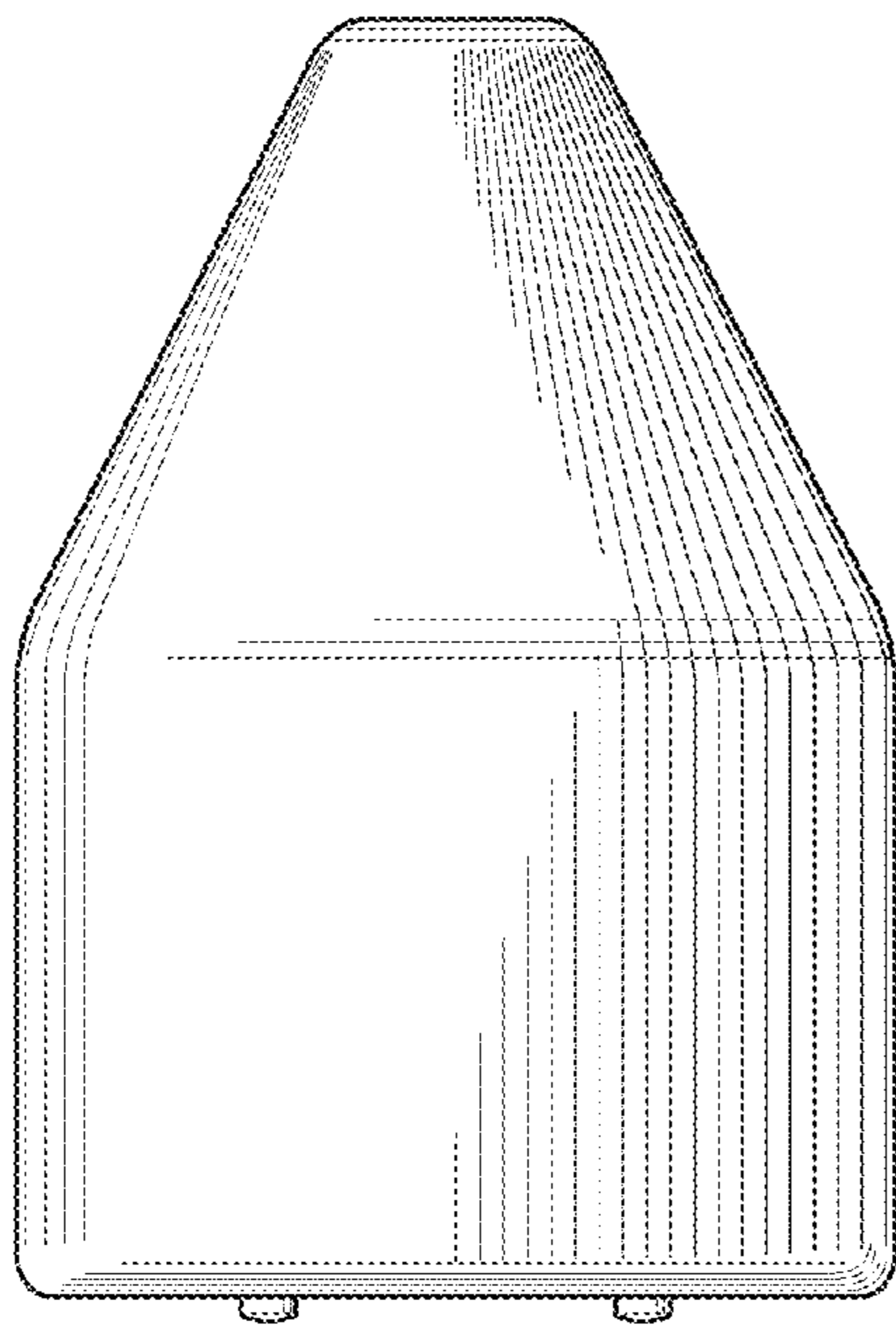


FIG. 4

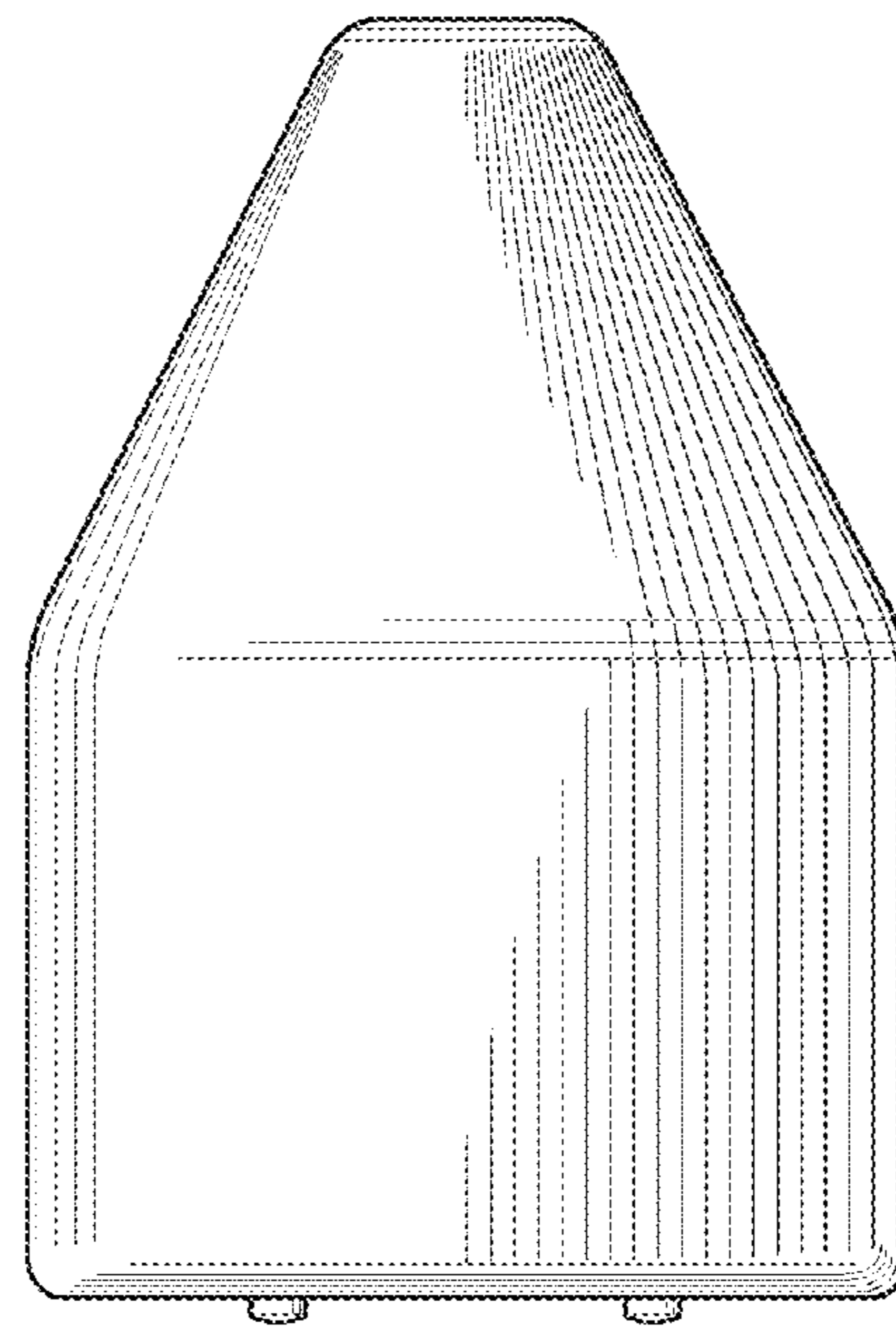


FIG. 5

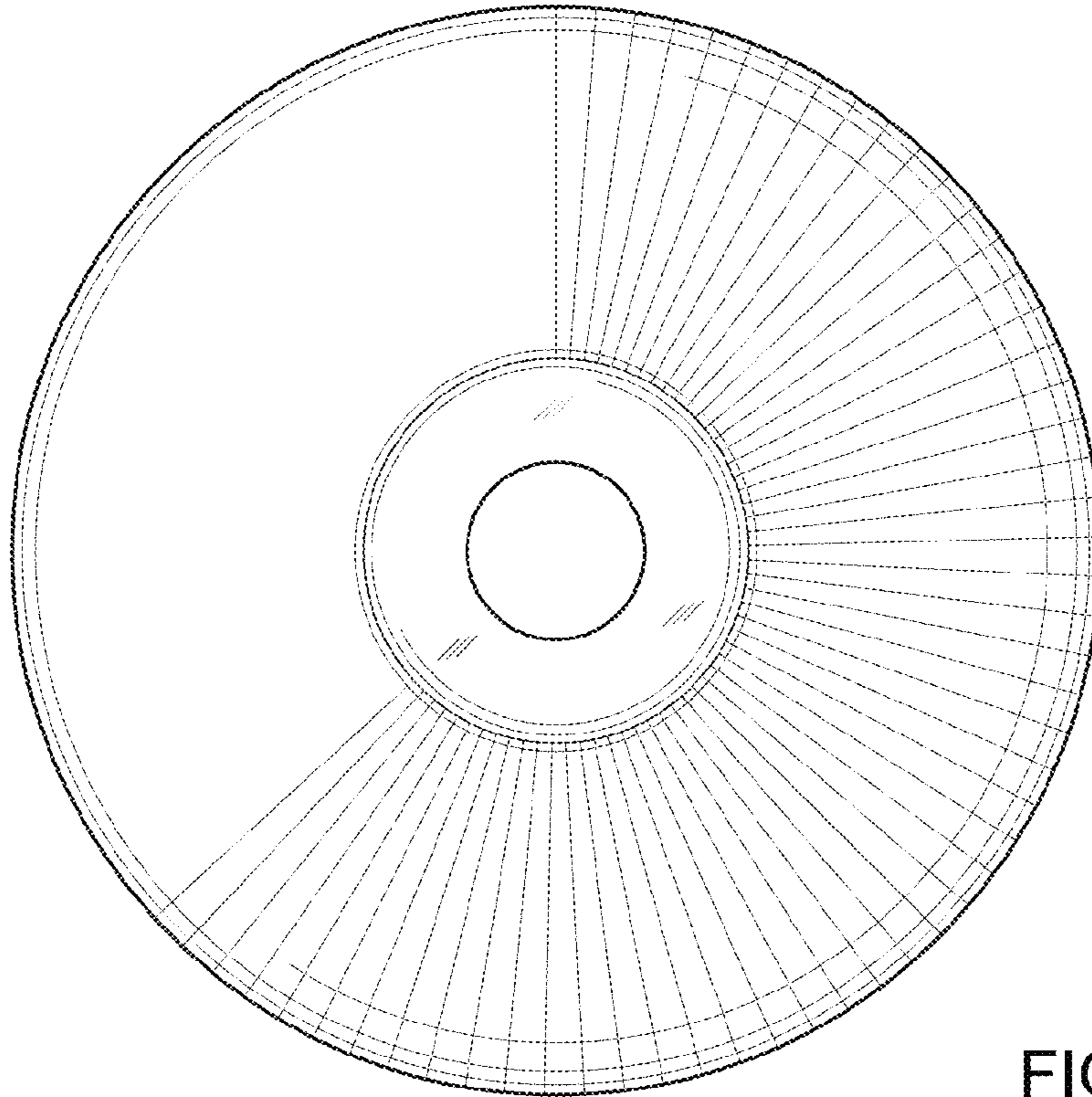


FIG. 6

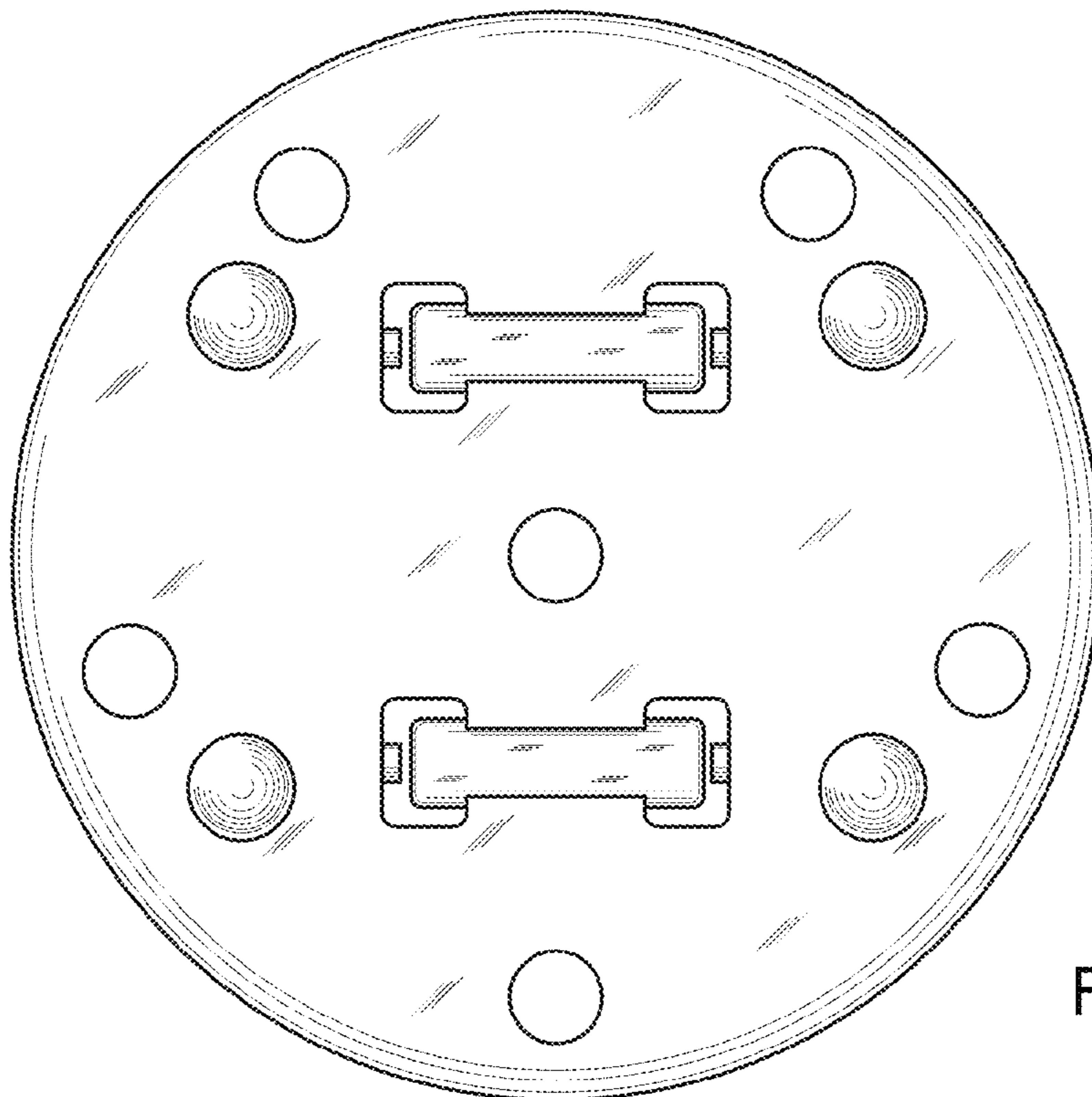


FIG. 7