



US00D741444S

(12) **United States Design Patent**
Cianci

(10) **Patent No.:** **US D741,444 S**

(45) **Date of Patent:** **** Oct. 20, 2015**

(54) **RIFLE STOCK**

(71) Applicant: **James Cianci**, Harrison, NY (US)

(72) Inventor: **James Cianci**, Harrison, NY (US)

(**) Term: **14 Years**

(21) Appl. No.: **29/496,189**

(22) Filed: **Jul. 10, 2014**

(51) **LOC (10) Cl.** **22-01**

(52) **U.S. Cl.**
USPC **D22/108**

(58) **Field of Classification Search**
USPC D22/103.108; D21/572-575; 42/51, 90,
42/71.01, 71.02, 73, 75.01, 75.02;
362/160; 89/40.06, 37.04, 33.04;
33/334
CPC F41C 23/00; F41C 23/02; F41C 23/04;
F41C 23/06; F41C 23/08; F41C 23/10;
F41C 23/12; F41C 23/14; F41C 23/16;
F41C 23/18; F41C 23/20; F41C 23/22;
F41C 7/02; F41C 7/04; F41C 7/06; F41C
7/11; F41C 7/12

See application file for complete search history.

(56) **References Cited**

U.S. PATENT DOCUMENTS

1,569,901 A * 1/1926 Virdin F41C 23/00
42/72
3,060,809 A * 10/1962 Tschumi F41A 9/76
42/18
4,735,007 A * 4/1988 Gal F41C 23/04
42/7

(Continued)

FOREIGN PATENT DOCUMENTS

EP 1512935 9/2005
EP 1953491 6/2008
EP 2636984 9/2013

OTHER PUBLICATIONS

Harrington; Ultra Hunter Rifle | Ultra Varmint; H&R Ultra Rifles;
Website; Jul. 9, 2014; 5 Pages; <http://www.hr1871.com/firearms/rifles/hunter.asp>.

(Continued)

Primary Examiner — Michael A Pratt

(74) *Attorney, Agent, or Firm* — Goldstein Law Offices, P.C.

(57) **CLAIM**

The ornamental design for a rifle stock, as shown and described.

DESCRIPTION

FIG. 1 is a perspective view of a first embodiment of the rifle stock in full lines.

FIG. 2 is a top plan view of the rifle stock.

FIG. 3 is a bottom plan view thereof.

FIG. 4 is a rear elevational view thereof.

FIG. 5 is a front elevational view thereof.

FIG. 6 is a right side elevational view thereof.

FIG. 7 is a left side elevational view thereof.

FIG. 8 is a alternate perspective view of the first embodiment of the rifle stock in full lines shown in use on a rifle which is in broken lines representing environmental association matter being for illustrative purposes only and forming no part of the claimed invention.

FIG. 9 is a perspective view of a second embodiment of the rifle stock in full lines.

FIG. 10 is a top plan view of the second embodiment of the rifle stock.

FIG. 11 is a bottom plan view thereof.

FIG. 12 is a rear elevational view thereof.

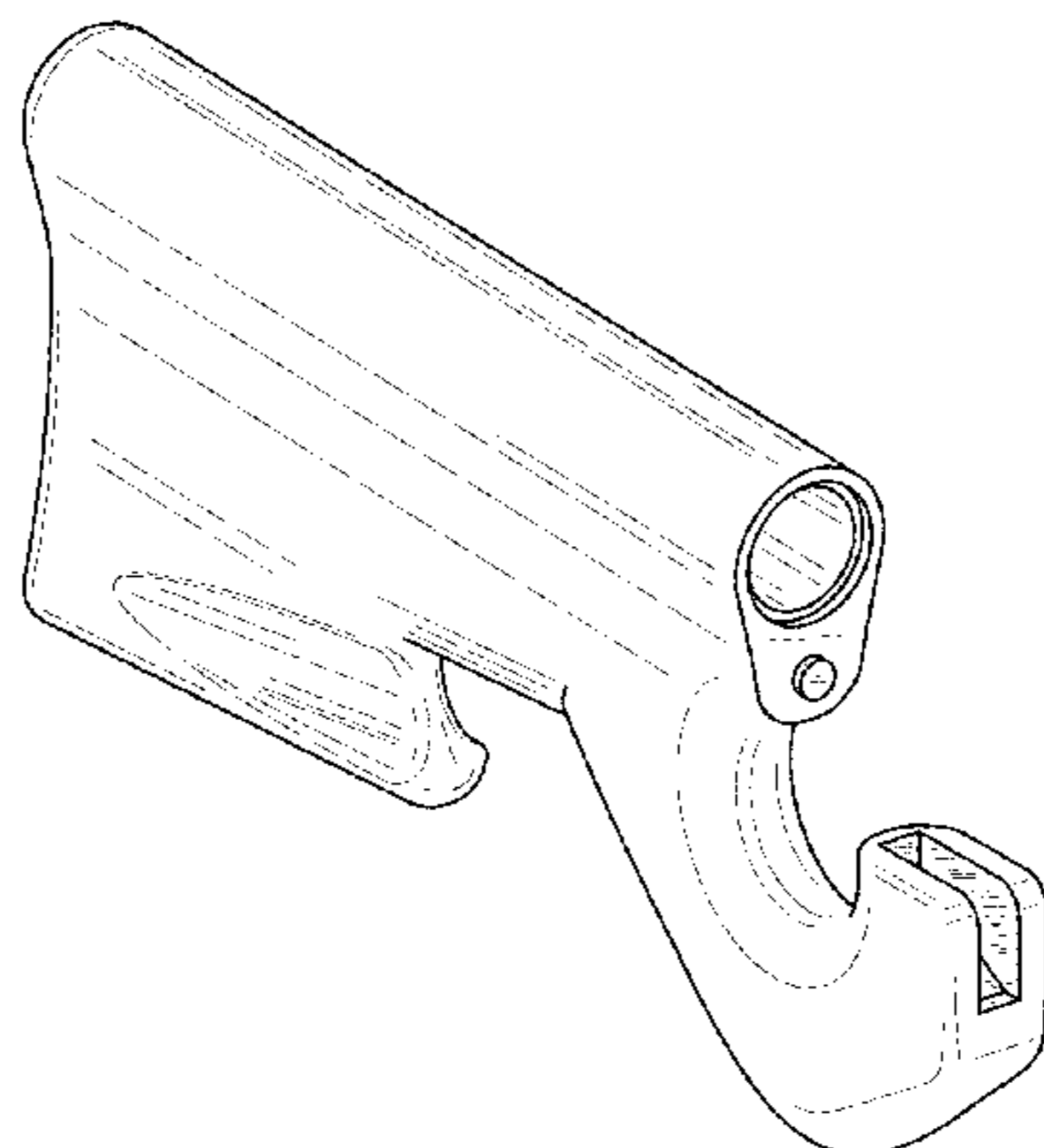
FIG. 13 is a front elevational view thereof.

FIG. 14 is a right side elevational view thereof.

FIG. 15 is a left side elevational view thereof; and,

FIG. 16 is a second alternate perspective view of the second embodiment of the rifle stock in full lines shown in use on a rifle which is in broken lines representing environmental association matter being for illustrative purposes only and forming no part of the claimed invention.

1 Claim, 10 Drawing Sheets



(56)

References Cited

U.S. PATENT DOCUMENTS

5,711,102 A * 1/1998 Plaster F41C 23/00
42/71.01
5,813,157 A * 9/1998 Scott F41C 23/22
42/71.01
5,970,642 A * 10/1999 Martin F41C 23/14
42/73
6,560,911 B2 * 5/2003 Sharp F41C 23/14
42/72
7,200,966 B2 * 4/2007 Gooder F41C 23/00
42/71.01
D551,312 S 9/2007 Al-Mulla
D616,056 S 5/2010 Bentley
7,992,336 B2 8/2011 Phillips
D645,110 S * 9/2011 Cook D22/108
D648,412 S * 11/2011 Cook D22/108
8,205,371 B1 6/2012 Cook et al.
8,296,986 B1 10/2012 Cook et al.
8,397,623 B2 3/2013 Herring
8,434,252 B2 5/2013 Holmberg
D691,234 S 10/2013 Fitzpatrick et al.
D692,087 S 10/2013 Fitzpatrick et al.
8,555,541 B2 10/2013 Ingram
8,590,201 B2 11/2013 Brixius
D695,377 S 12/2013 Mayberry et al.
D700,265 S 2/2014 Mayberry et al.
8,713,833 B2 5/2014 Lewis et al.

8,720,093 B2 5/2014 Sanzo
2002/0050088 A1 * 5/2002 Sharp F41C 23/14
42/73
2005/0011101 A1 * 1/2005 Gooder F41C 23/00
42/71.01
2012/0137561 A1 * 6/2012 Ludlow F41C 23/04
42/75.03
2013/0232841 A1 * 9/2013 Knoebel F41C 23/16
42/71.01

OTHER PUBLICATIONS

Stocky's; America's Gunstock Specialist; Bobby Hart AccuBlock Apache Laminated Thumbhole Riflestock—Remington 700; Website; Jul. 9, 2014; 4 Pages; http://www.stockysstocks.com/servlet/the-650/*new!*-Bobby-Hart-AccuBlock/Detail.
World Guns; Modern Firearms; Assault Rifles; Website, Jul. 9, 2014; 5 Pages; <http://world.guns.ru/assault/usa/m16-m16a1-m16a2-m16a3-e.html>.
Military Factory; Springfield M14—Automatic Rifle—History, Specs and Pictures—Military, Security and Civilian Guns and Equipment; Springfield M14 Automatic Rifle; Website; Jul. 9, 2014; 6 Pages; http://www.militaryfactory.com/smallarms/detail.asp?smallarms_id=17.
Encyclopaedia Britannica; M16 Rifle; Website; Jul. 9, 2014; 2 Pages; <http://www.britannica.com/EBchecked/topic/353341/M16-rifle>.

* cited by examiner

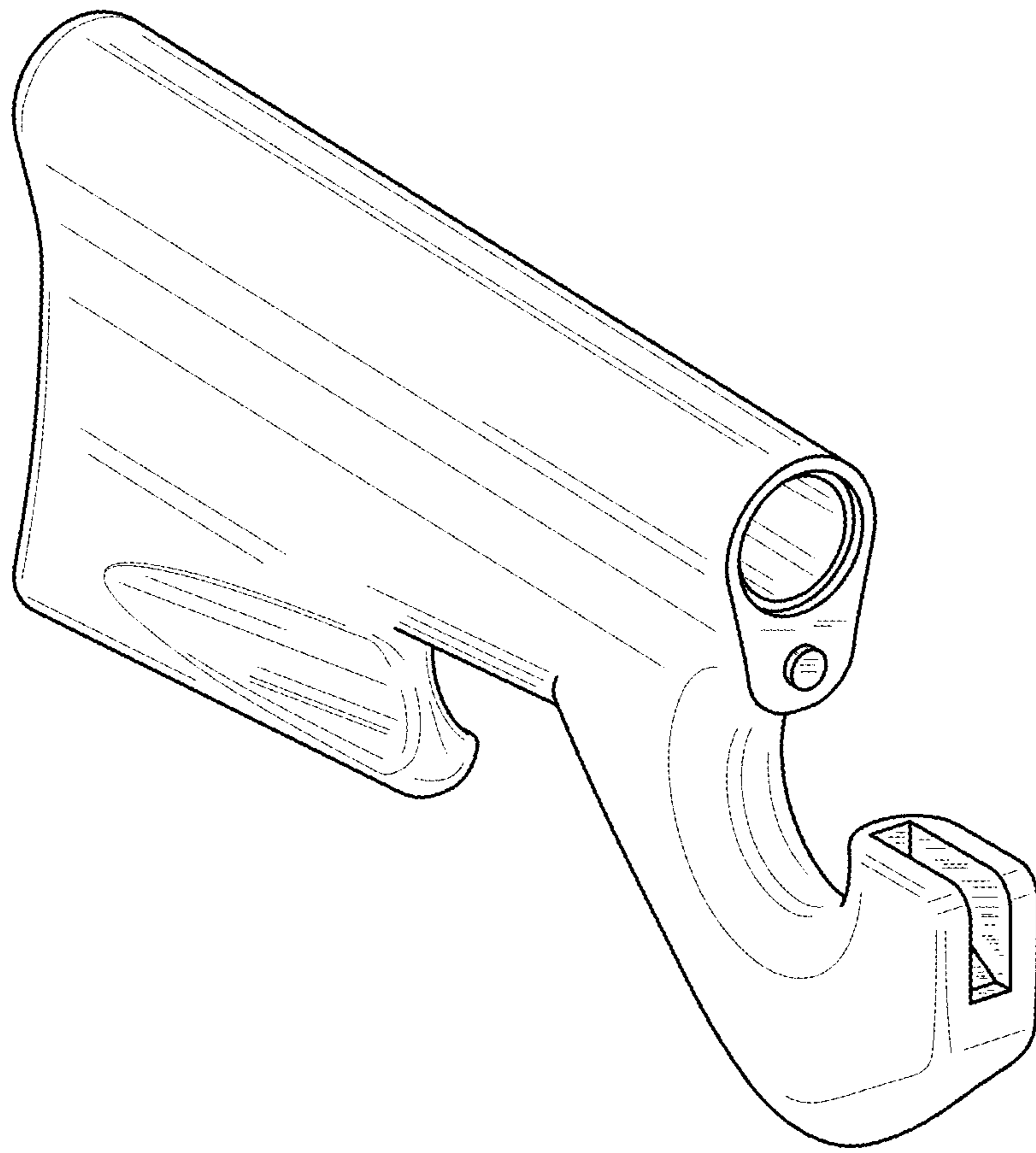


FIG. 1

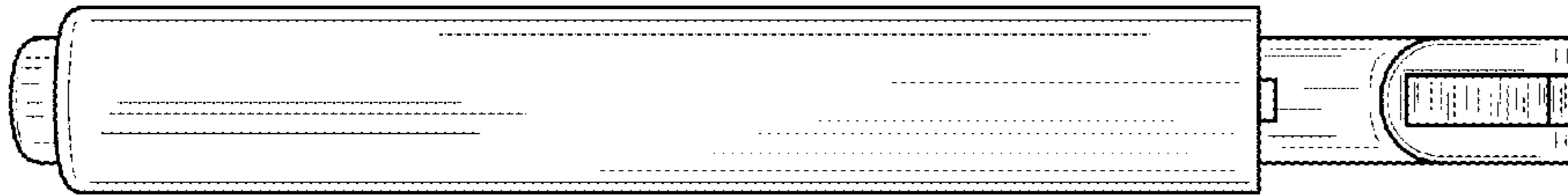


FIG. 2

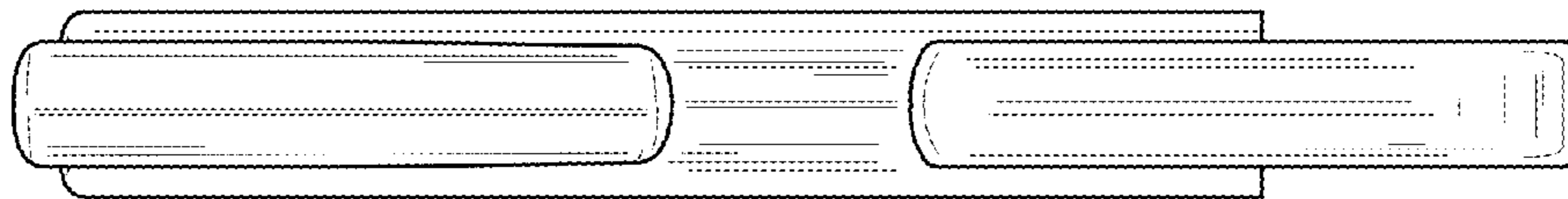


FIG. 3

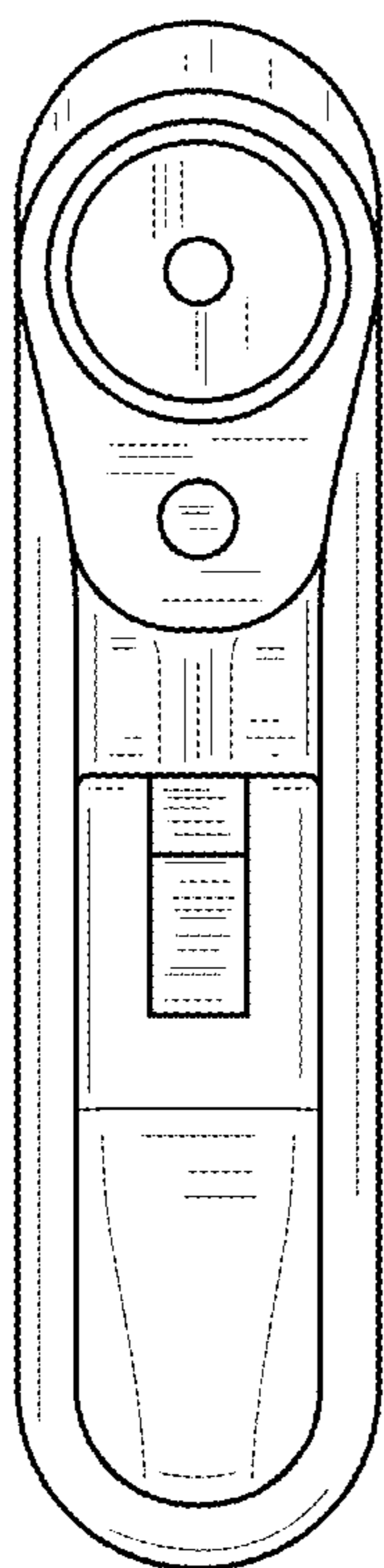


FIG. 4

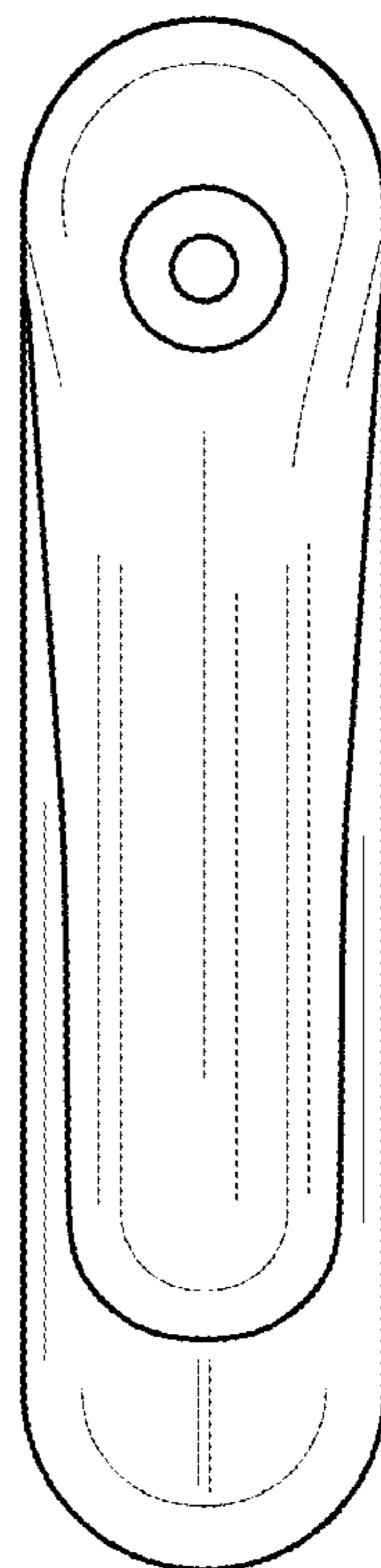


FIG. 5

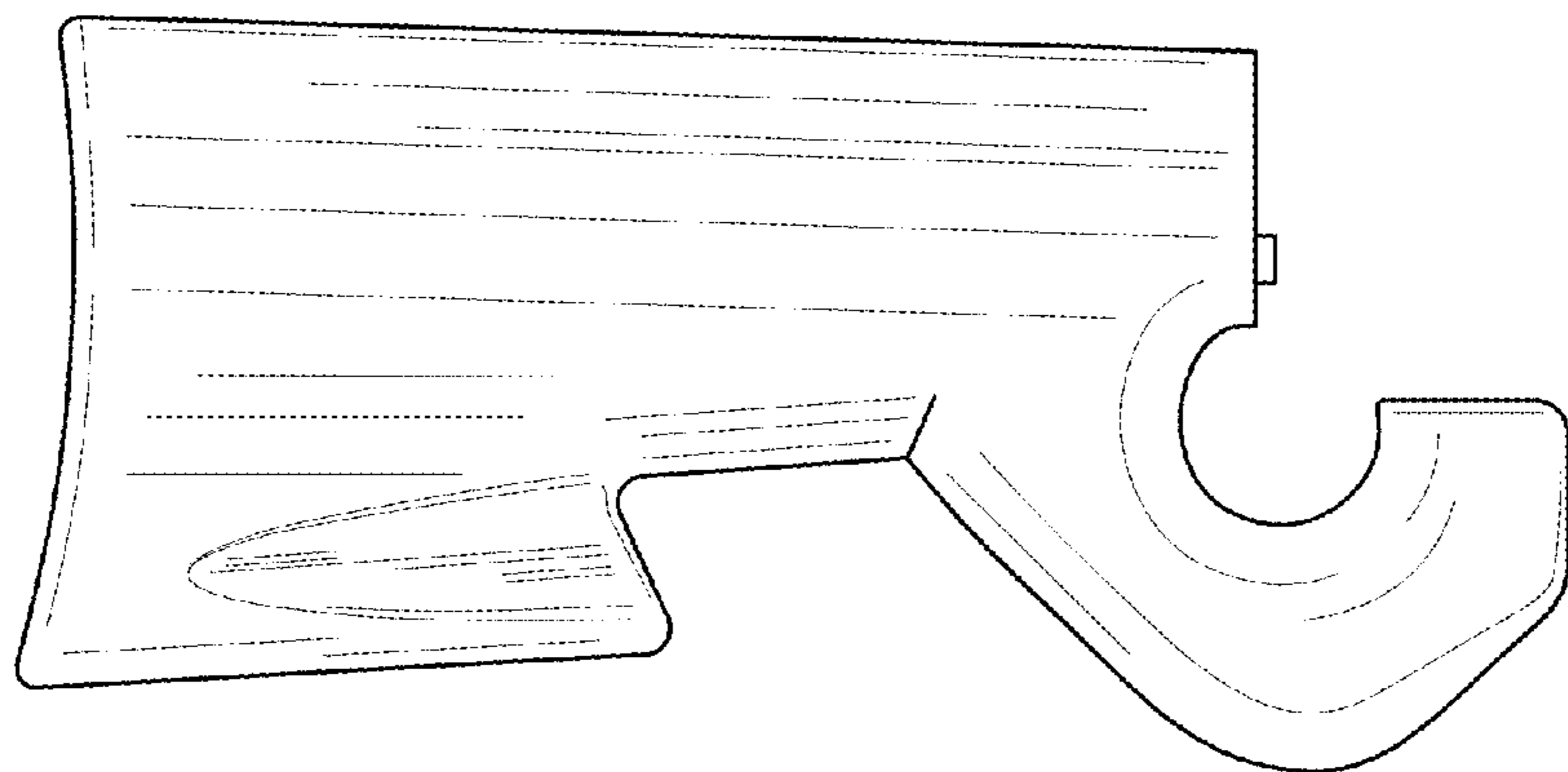


FIG. 6

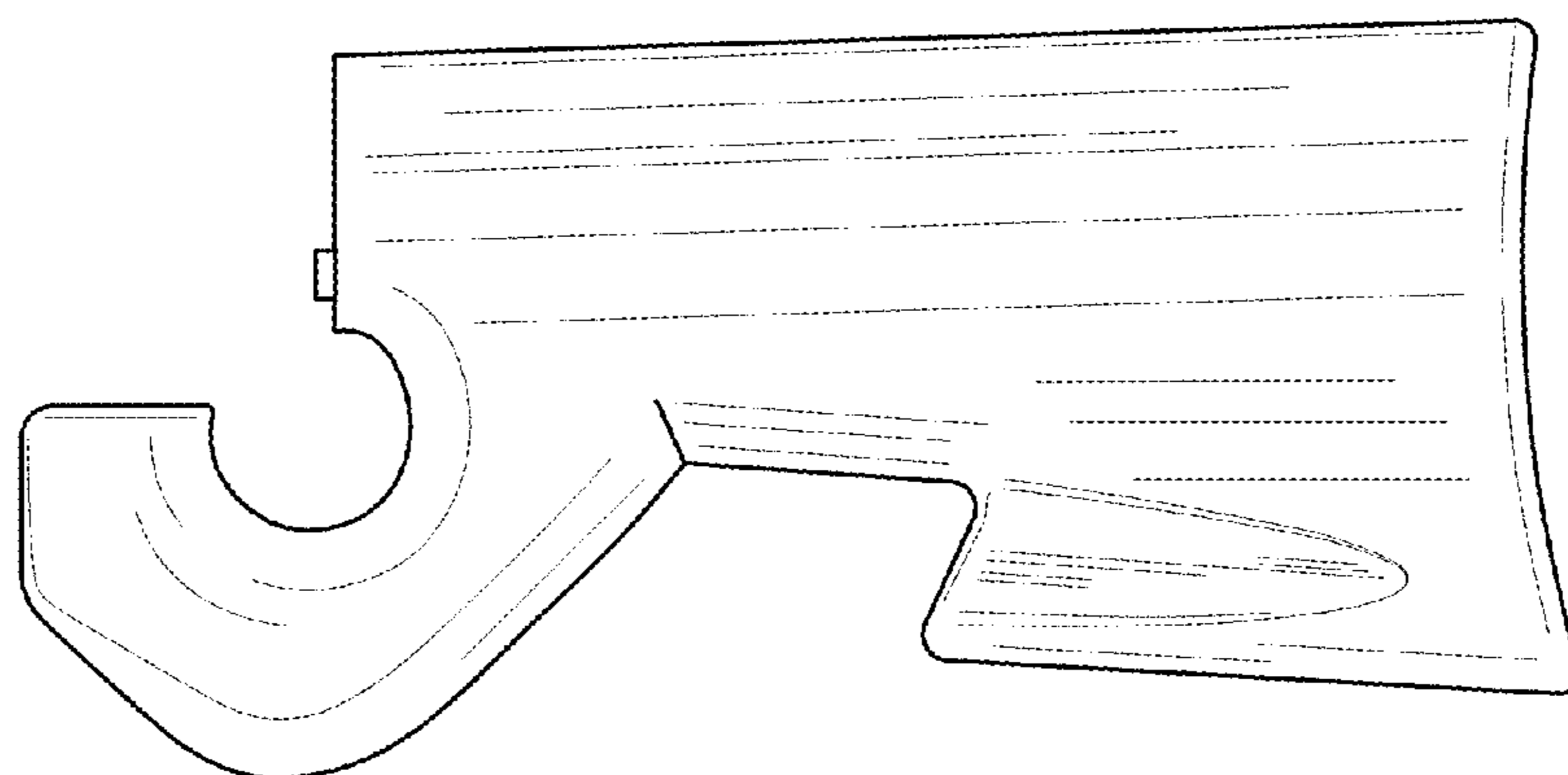


FIG. 7

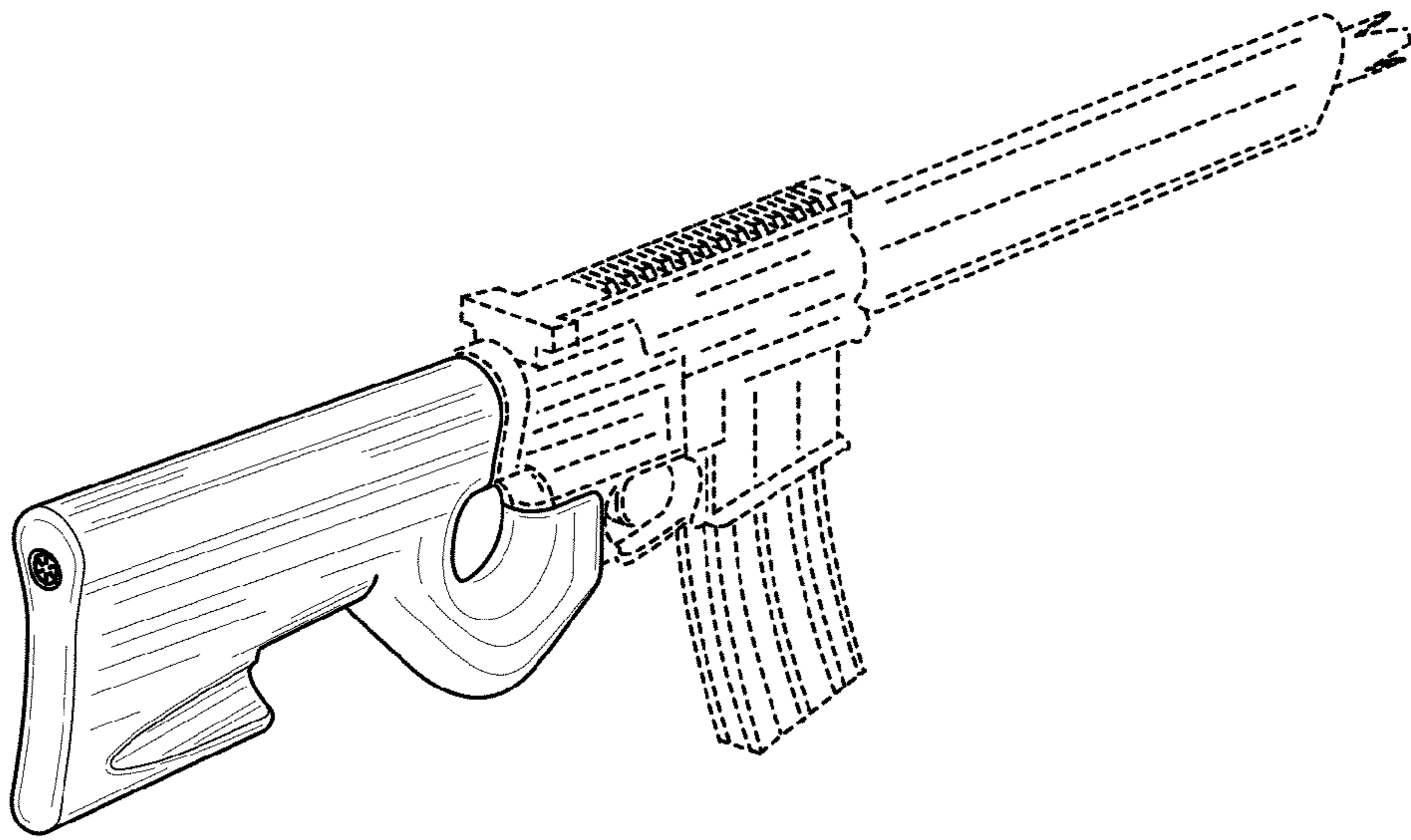


FIG. 8

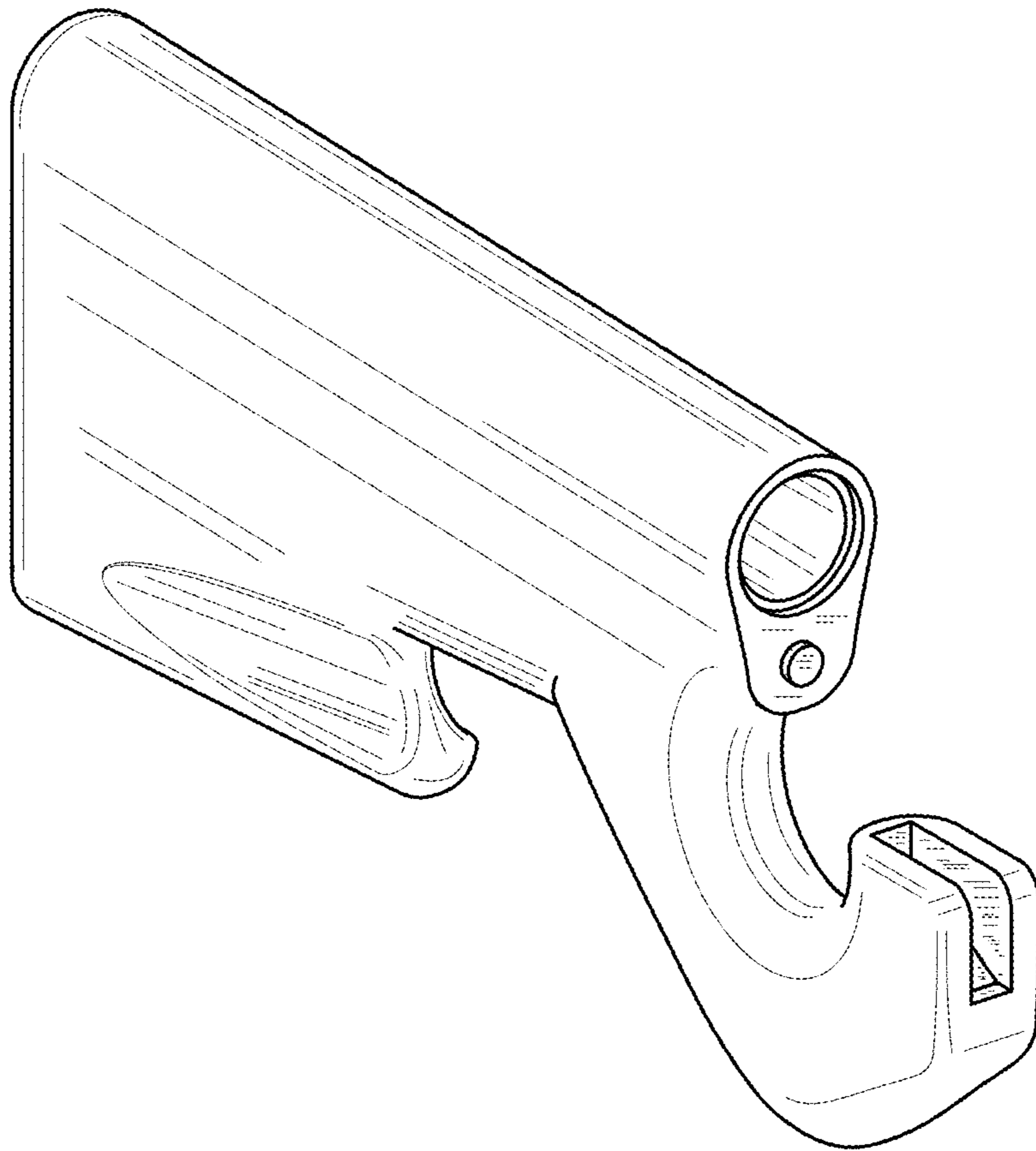


FIG. 9

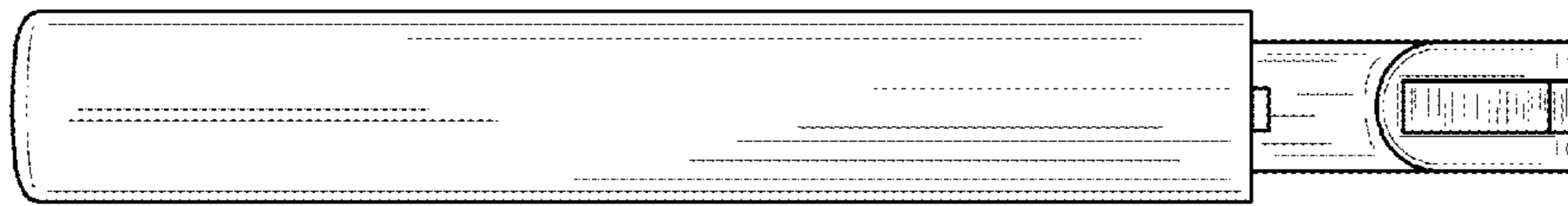


FIG. 10

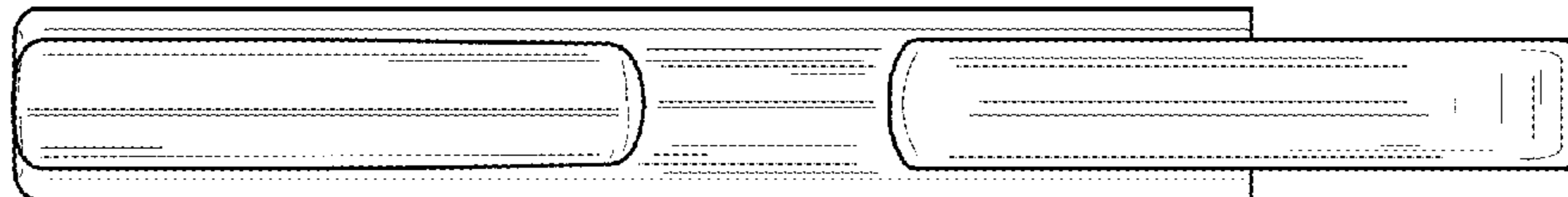


FIG. 11

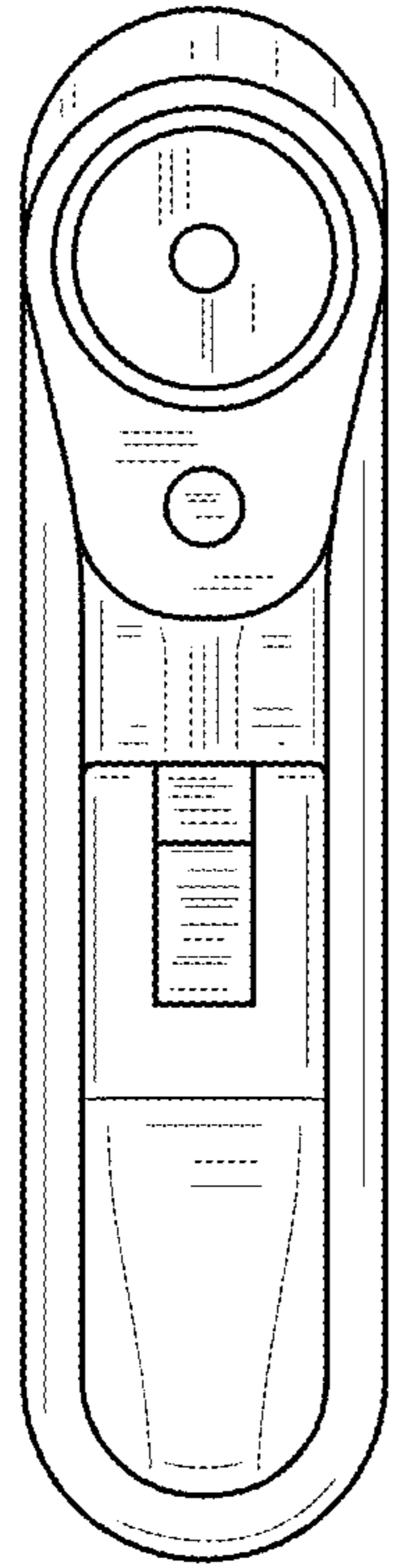


FIG. 12

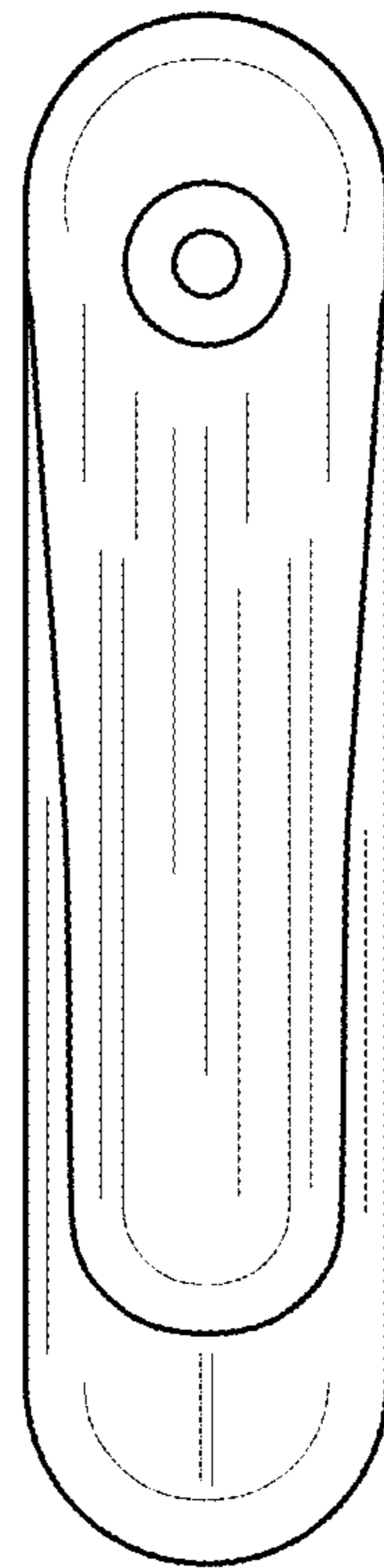


FIG. 13

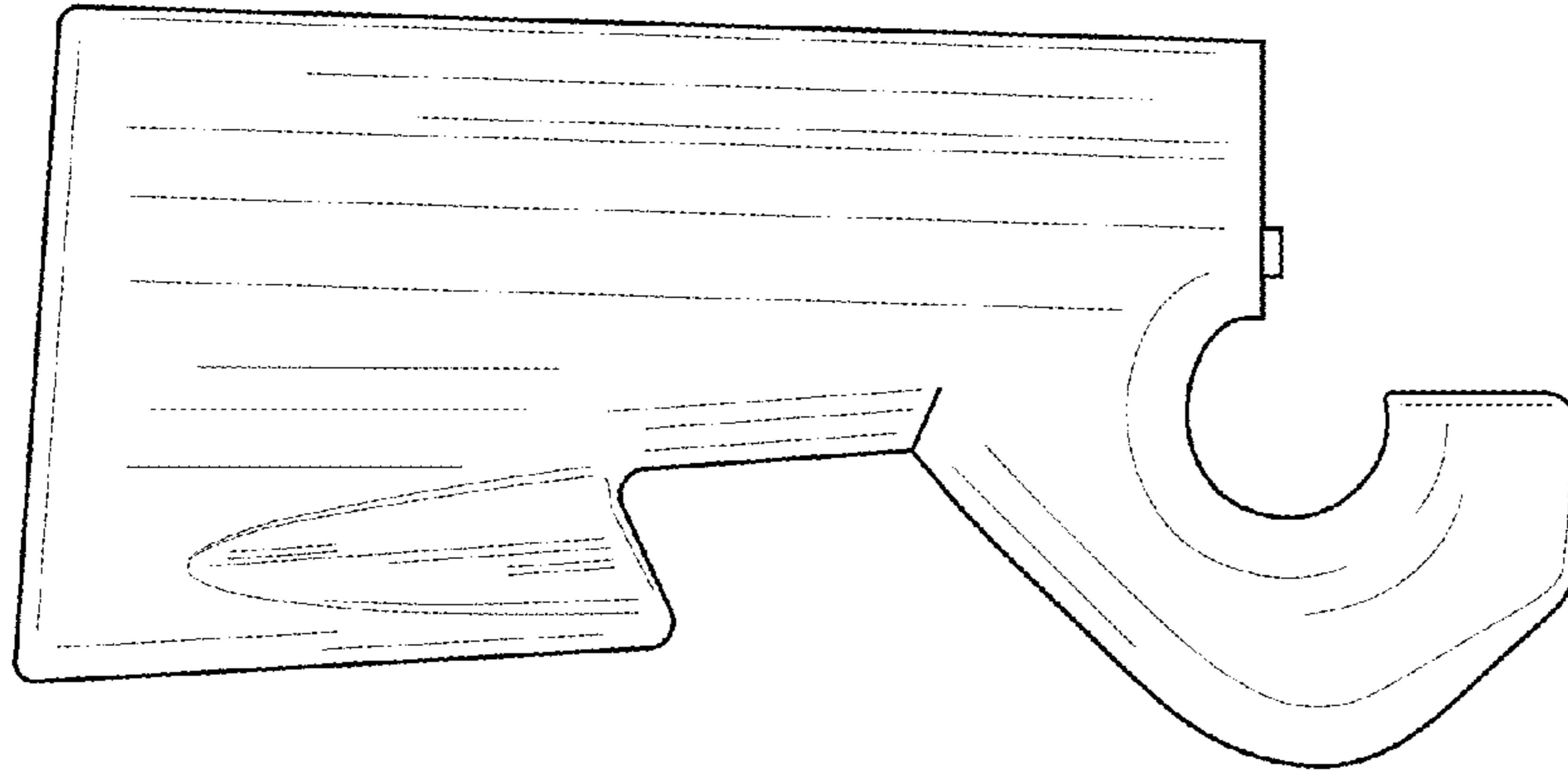


FIG. 14

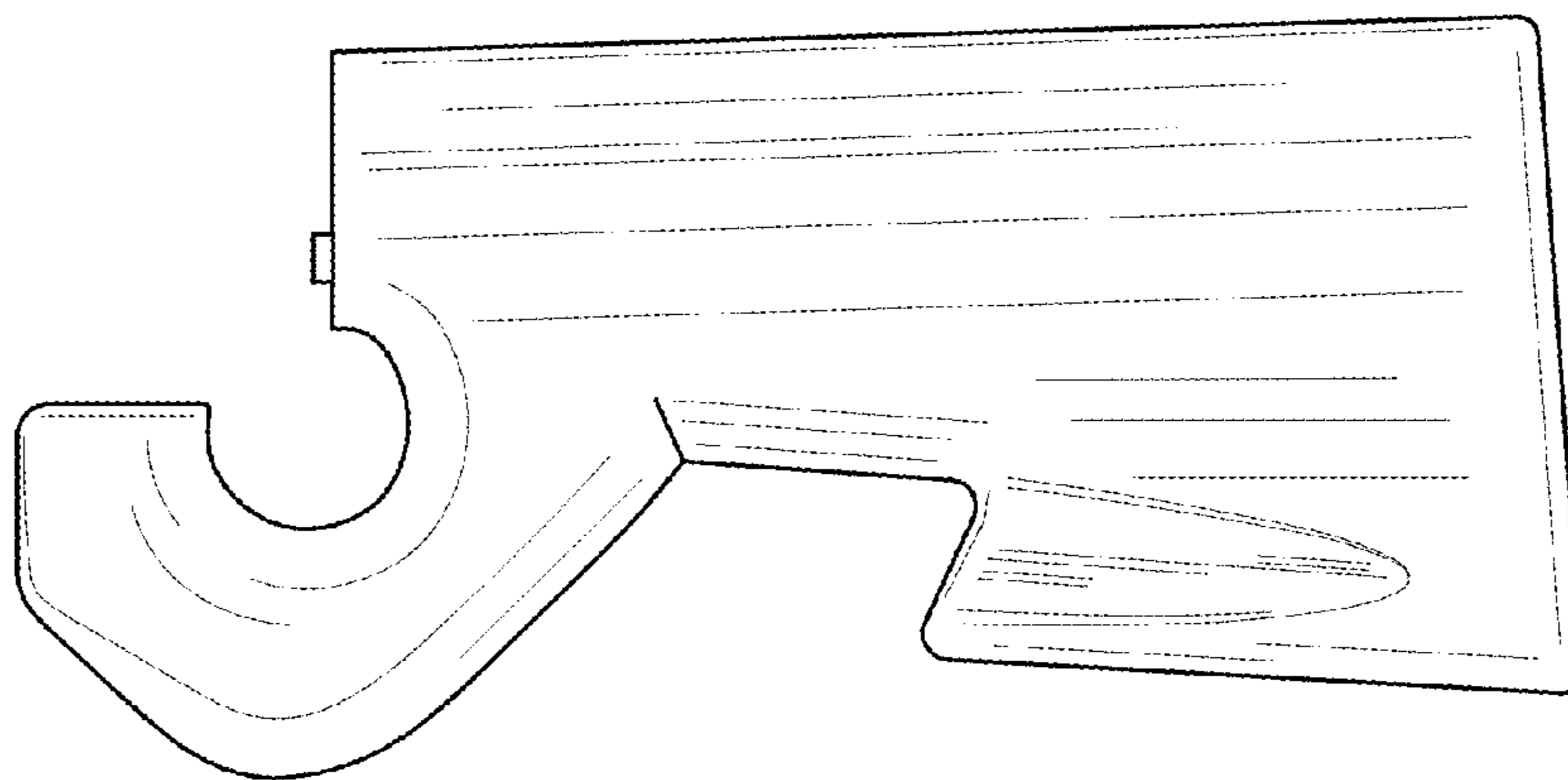


FIG. 15

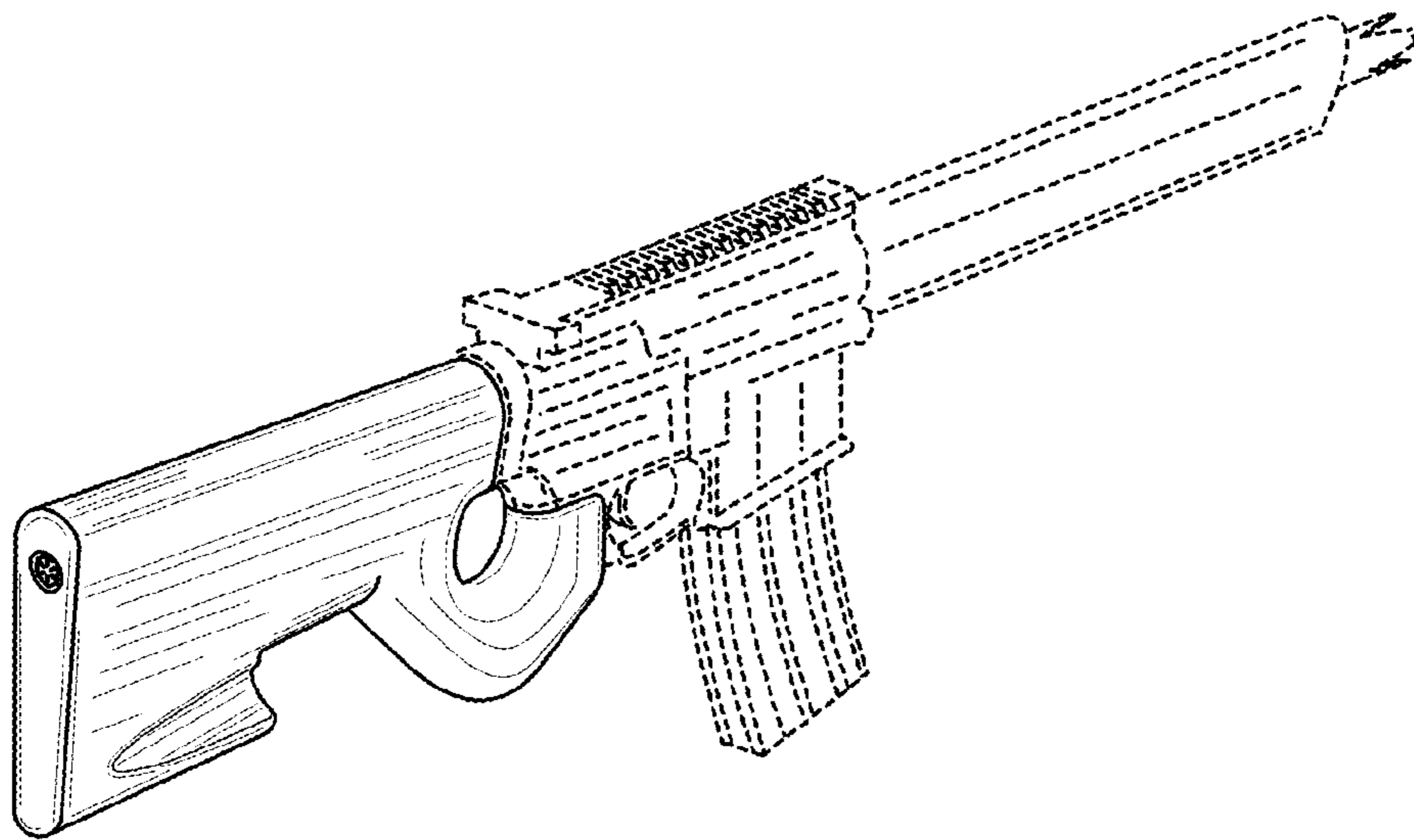


FIG. 16