



US00D741442S

(12) **United States Design Patent**
Wilson

(10) **Patent No.:** **US D741,442 S**

(45) **Date of Patent:** **** Oct. 20, 2015**

(54) **GUN SIGHT MOUNT**

(56) **References Cited**

(71) Applicant: **Brian Wilson**, Boca Raton, FL (US)

U.S. PATENT DOCUMENTS

(72) Inventor: **Brian Wilson**, Boca Raton, FL (US)

D265,920	S	*	8/1982	Bechtel	D22/109
4,418,487	A	*	12/1983	Strahan	42/125
5,107,612	A	*	4/1992	Bechtel	42/115
7,194,836	B1	*	3/2007	Urban	42/60
D672,840	S	*	12/2012	Neufeld	D22/109
8,393,108	B1	*	3/2013	Wilson	42/111
8,782,942	B1	*	7/2014	Bentley	42/75.01
D728,729	S	*	5/2015	Geissele	D22/109
2004/0211105	A1	*	10/2004	Arachequesne	42/113
2011/0094136	A1	*	4/2011	Zimmerman	42/6
2011/0296668	A1	*	12/2011	Emmerich	29/525.02
2013/0180152	A1	*	7/2013	Speroni	42/99
2014/0026463	A1	*	1/2014	Park	42/129

(**) Term: **14 Years**

(21) Appl. No.: **29/491,737**

(22) Filed: **May 23, 2014**

(51) **LOC (10) Cl.** **22-01**

(52) **U.S. Cl.**
USPC **D22/108**

* cited by examiner

(58) **Field of Classification Search**
USPC D22/108-109; 89/111-113; 359/399,
359/823, 744; 42/104, 105, 111-113, 116,
42/120, 124-126, 127-129, 141-148,
42/133-140; 33/227, 229

CPC F41G 1/00; F41G 1/01; F41G 1/02;
F41G 1/06; F41G 1/065; F41G 1/08; F41G
1/10; F41G 1/12; F41G 1/14; F41G 1/30;
F41G 1/32; F41G 1/38; F41G 1/40; F41G
1/42; F41G 1/44; F41G 1/46; F41G 1/383;
F41G 1/387; F41G 1/393; F41G 3/00; F41G
3/005; F41G 3/02; F41G 3/04; F41G 3/06;
F41G 3/14; F41G 11/002; F41G 11/003;
F41G 11/004; F41G 11/005

See application file for complete search history.

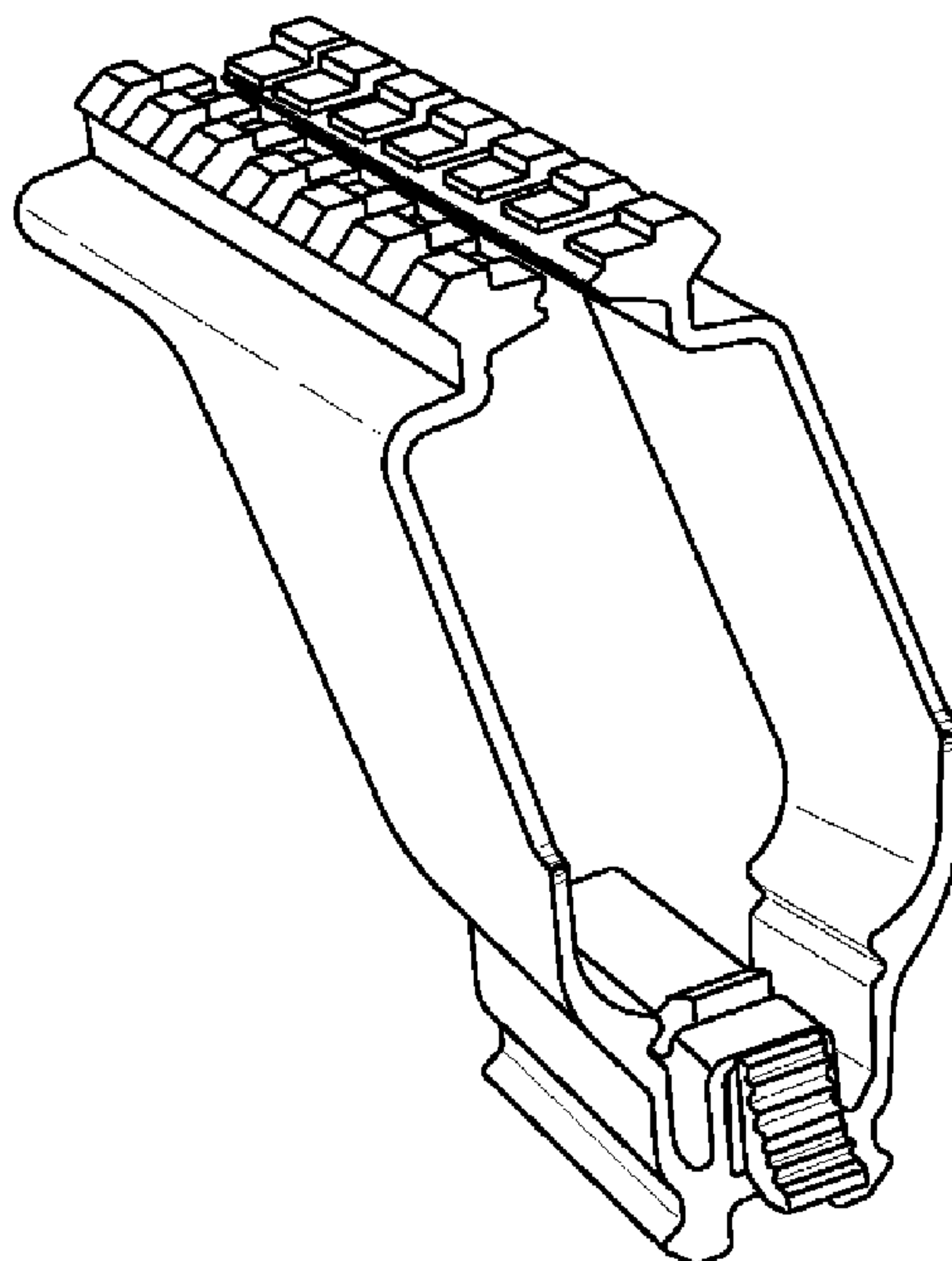
Primary Examiner — Michael A Pratt
(74) *Attorney, Agent, or Firm* — Clifford H. Kraft

(57) **CLAIM**
The ornamental design for a gun sight mount, as shown and described.

DESCRIPTION

FIG. 1 is a perspective view of the gun sight mount.
FIG. 2 is a front view thereof.
FIG. 3 is a rear view thereof.
FIG. 4 is a side view thereof. Left and right sides are symmetric.
FIG. 5 is a top view thereof.
FIG. 6 is a bottom view thereof; and,
FIG. 7 is a perspective view thereof showing the bottom.
The invention is a gun sight mount that supports a gun sight and mounts on a handgun.

1 Claim, 7 Drawing Sheets



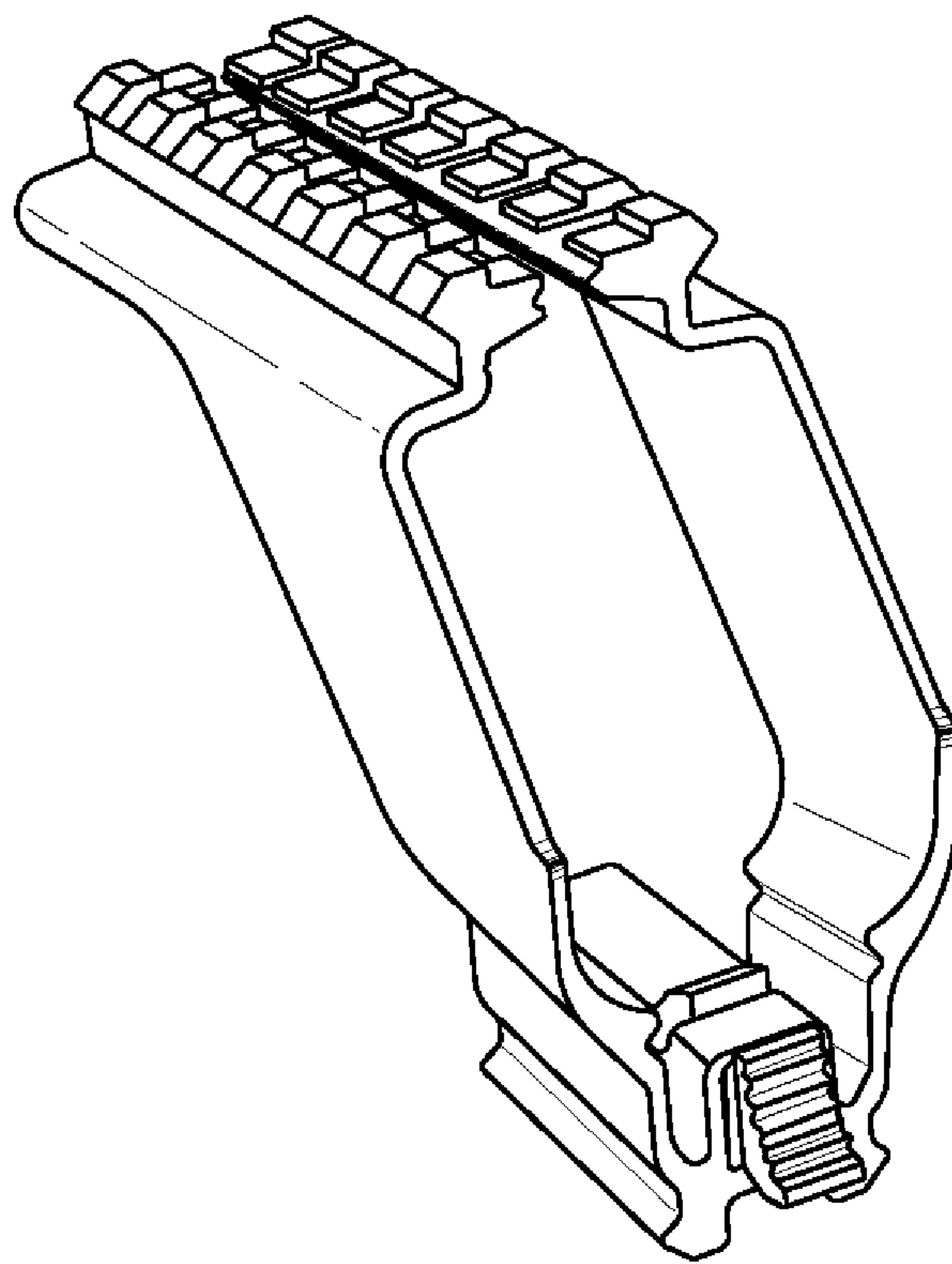


FIG. 1

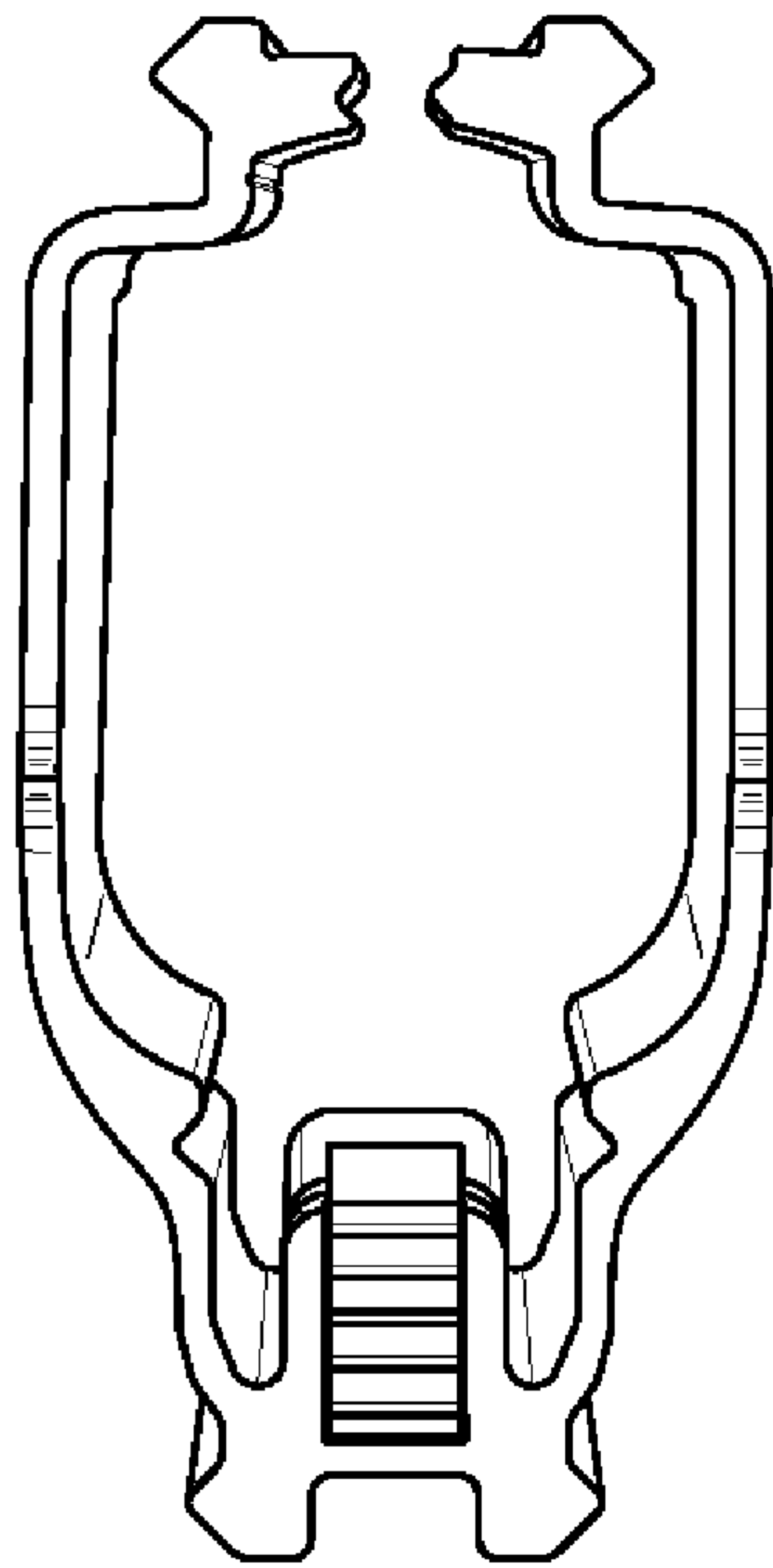


FIG. 2

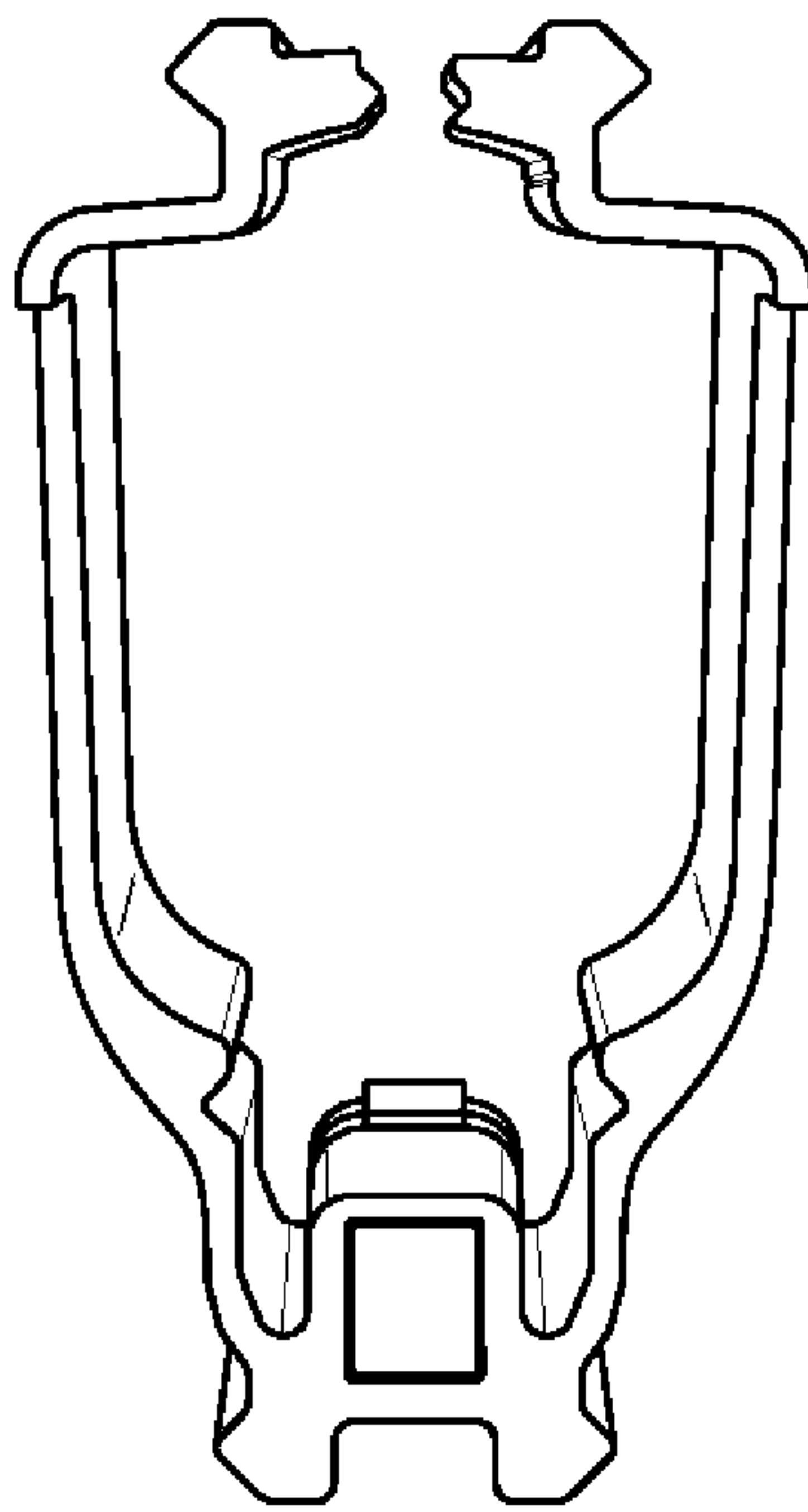


FIG. 3

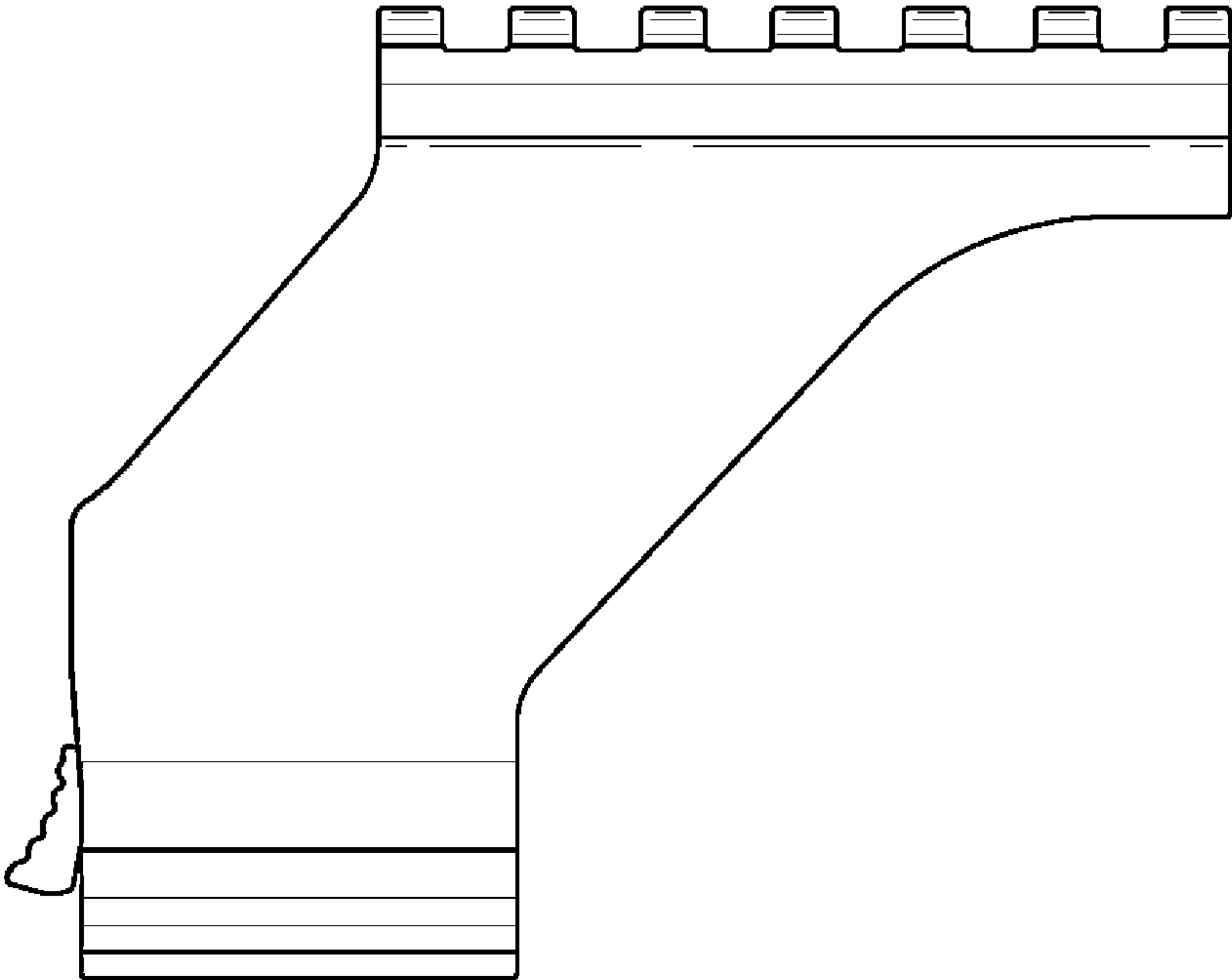


FIG. 4

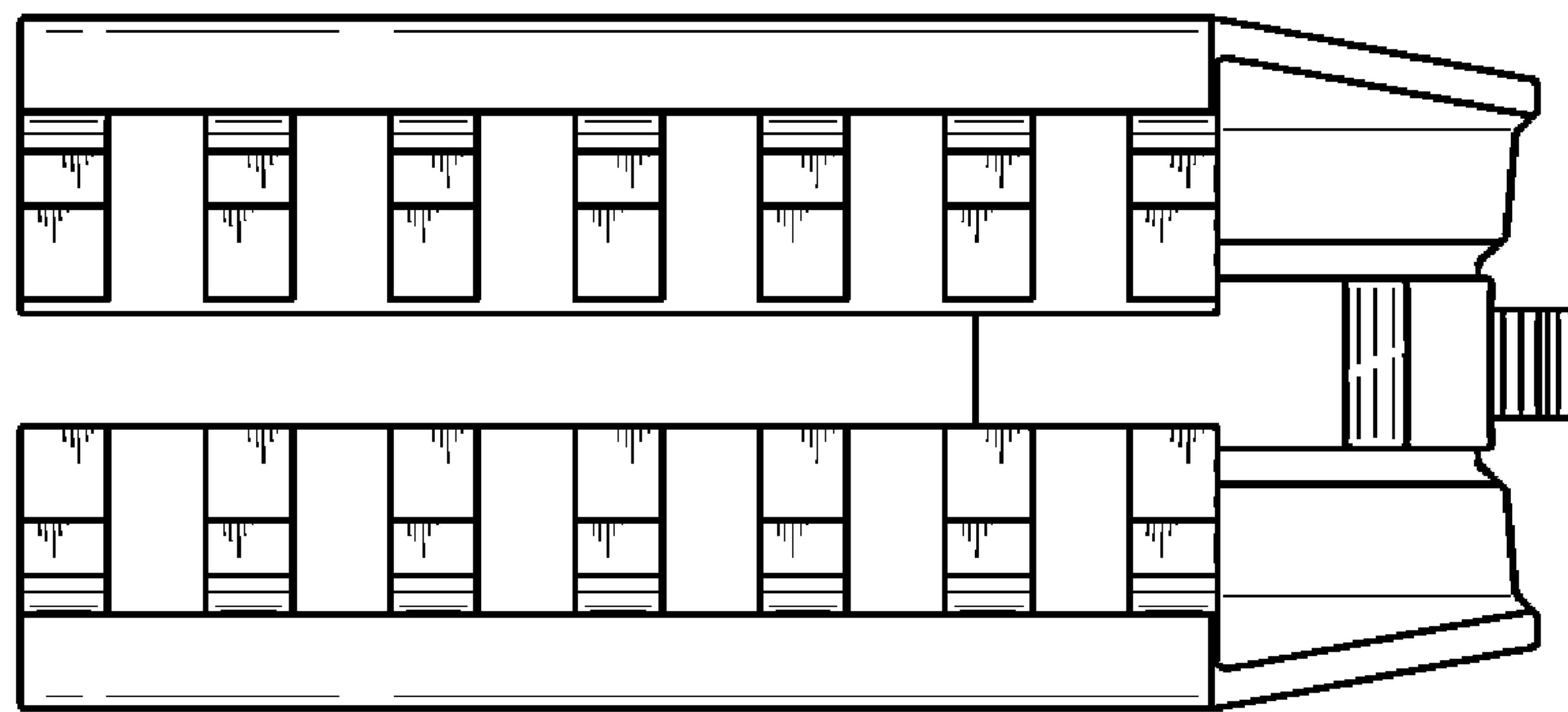


FIG. 5

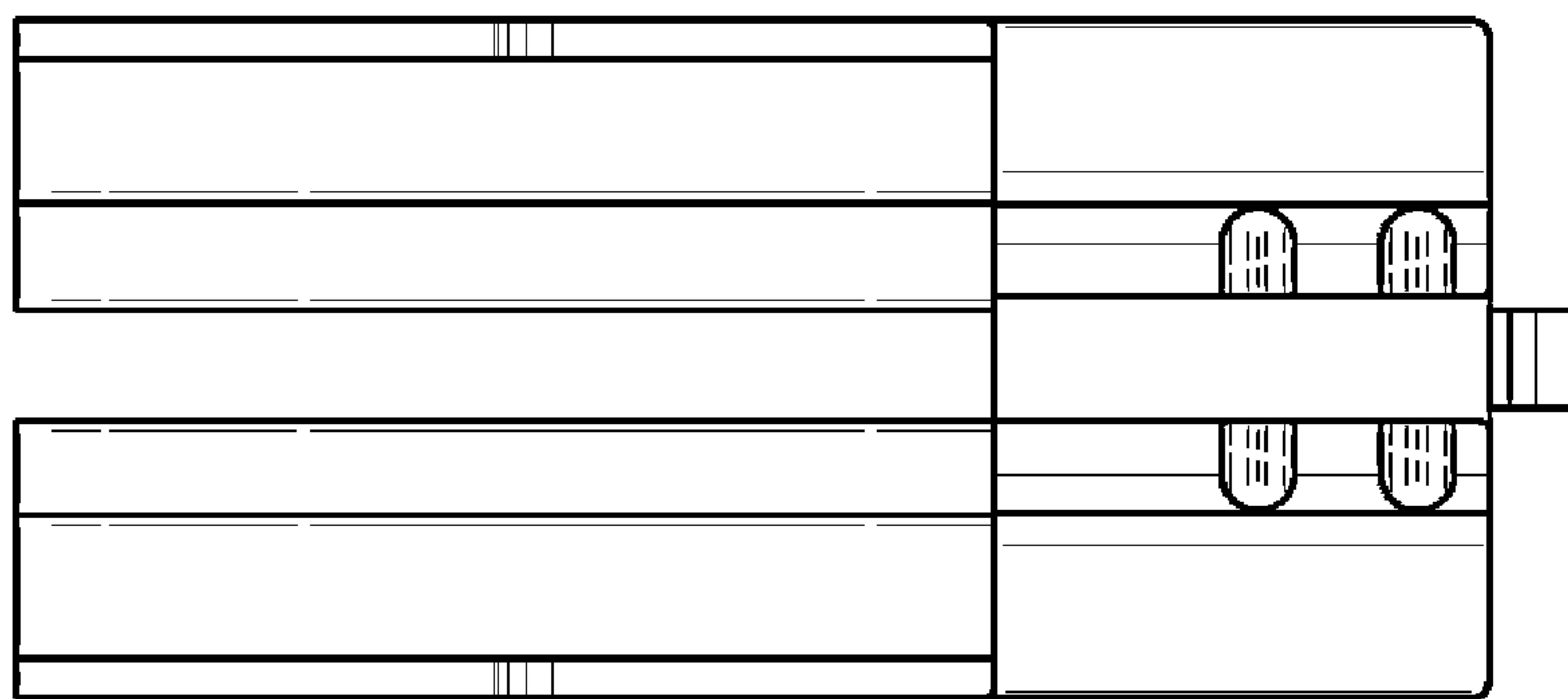


FIG. 6

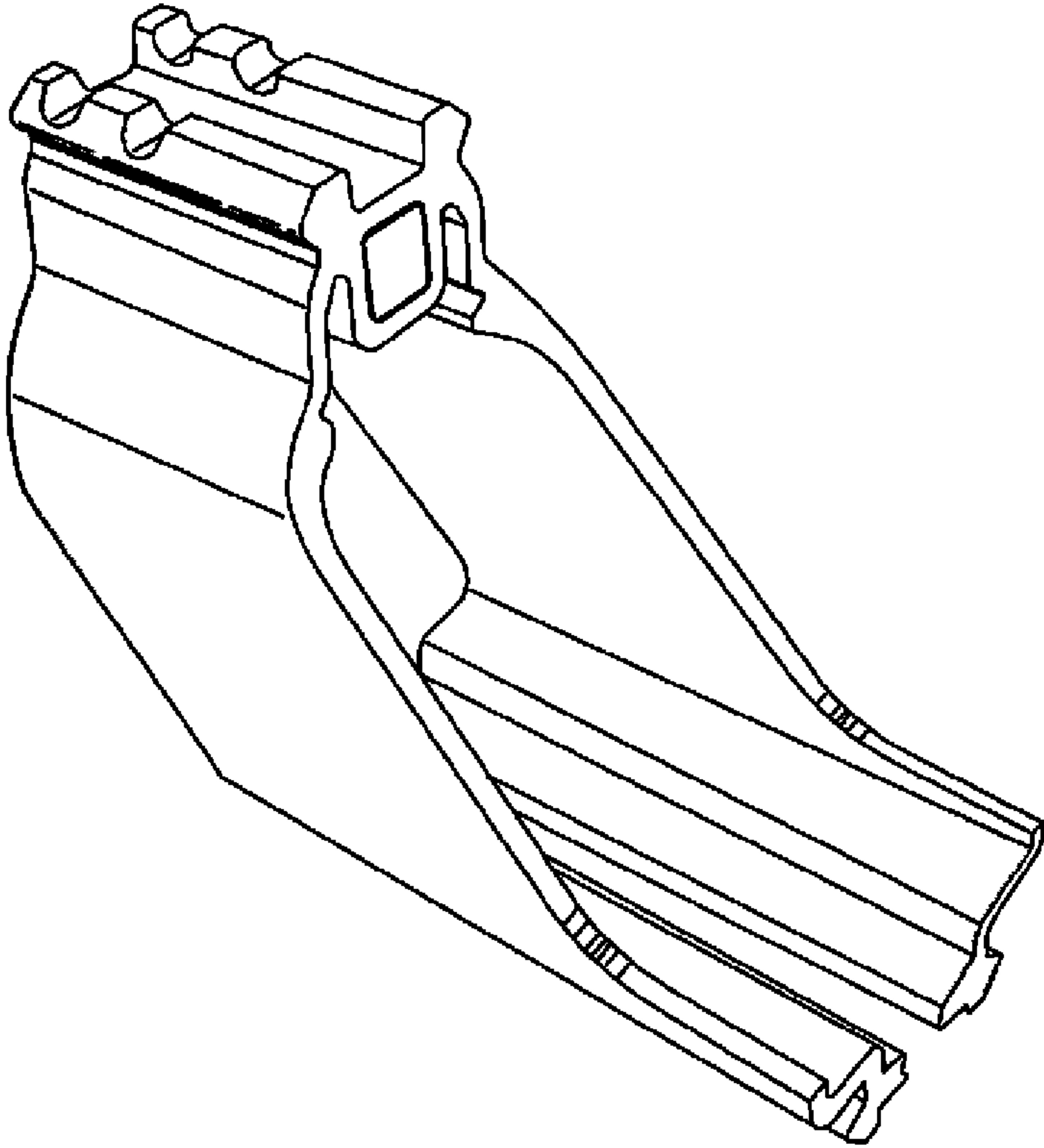


FIG. 7