



US00D741440S

(12) **United States Design Patent**  
**Hormann**

(10) **Patent No.:** **US D741,440 S**

(45) **Date of Patent:** **\*\* Oct. 20, 2015**

(54) **EXTENDED SELECTOR SWITCH FOR A SHOTGUN**

(71) Applicant: **Karl William Hormann**, Mount Vernon, NY (US)

(72) Inventor: **Karl William Hormann**, Mount Vernon, NY (US)

(\*\*) Term: **14 Years**

(21) Appl. No.: **29/478,245**

(22) Filed: **Jan. 2, 2014**

(51) **LOC (10) Cl.** ..... **22-01**

(52) **U.S. Cl.**  
USPC ..... **D22/108**

(58) **Field of Classification Search**  
USPC ..... D22/108; D21/572-575; 42/51, 71.01, 42/75.01, 75.02, 90, 94, 134, 136, 139, 42/125, 72, 111; 89/40.06, 41.19, 37.04, 89/33.04, 191.01, 200-204; 124/67, 66, 124/72, 74

CPC ..... F41C 7/00; F41C 7/11; F41C 7/12

See application file for complete search history.

(56) **References Cited**

U.S. PATENT DOCUMENTS

3,766,677 A *	10/1973	Waddell .....	42/75.04
5,469,649 A *	11/1995	Rowlands et al. ....	42/43
2012/0180354 A1 *	7/2012	Sullivan et al. ....	42/16
2013/0111796 A1 *	5/2013	Dionne et al. ....	42/70.11

\* cited by examiner

*Primary Examiner* — Michael A Pratt

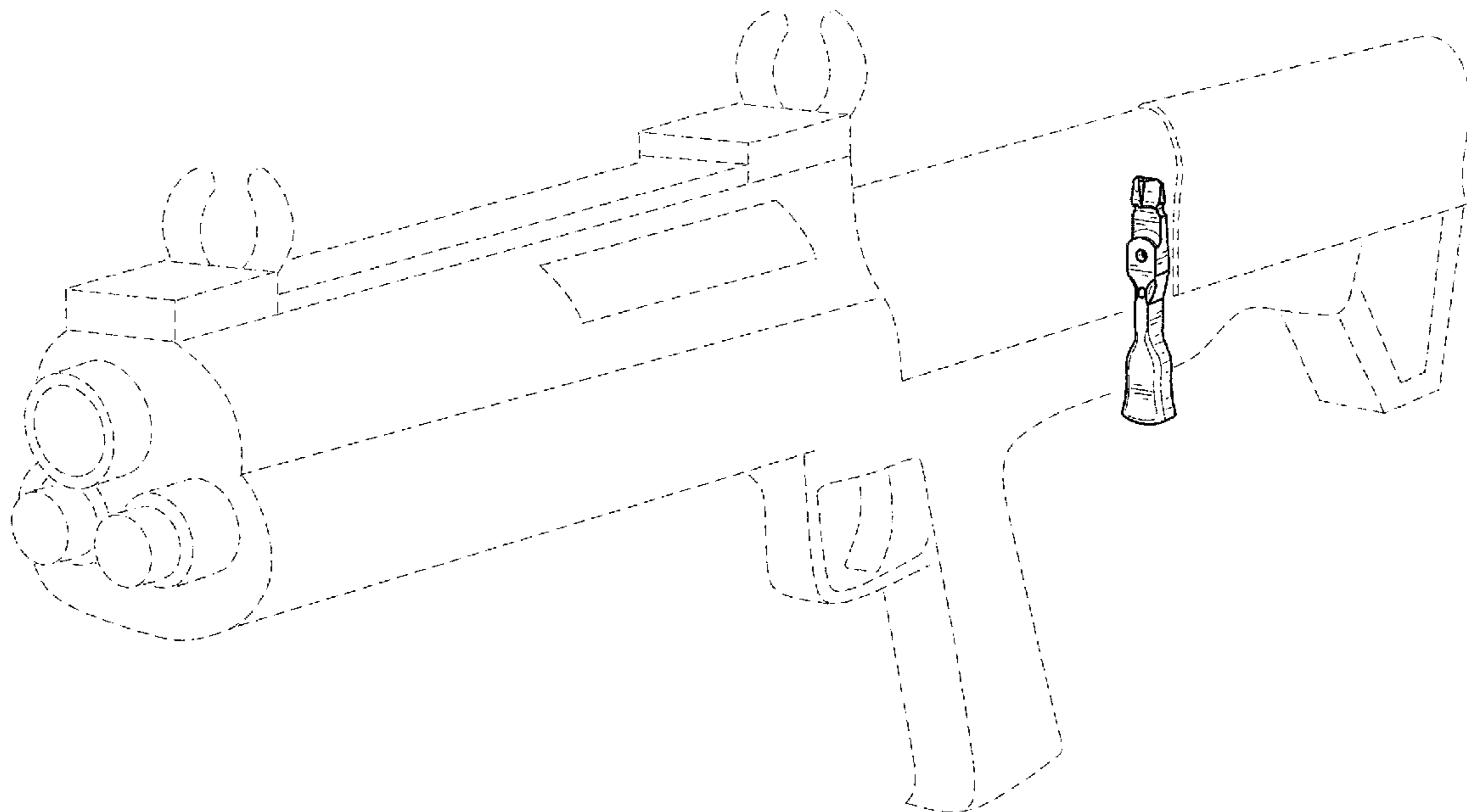
(57) **CLAIM**

The ornamental design for an extended selector switch for a shotgun, as shown and described.

**DESCRIPTION**

FIG. 1 is a perspective front view of an extended selector switch for a shotgun, shown on a firearm; FIG. 2 is a perspective front view thereof; FIG. 3 is a front elevation view thereof; FIG. 4 is a rear elevation view thereof; FIG. 5 is a left elevation view thereof, right elevation view is a mirror image thereof; FIG. 6 is a top plan view thereof; and, FIG. 7 is a bottom plan view thereof. The firearm is shown in broken lines for illustrative purposes only and forms no part of the claimed design.

**1 Claim, 3 Drawing Sheets**



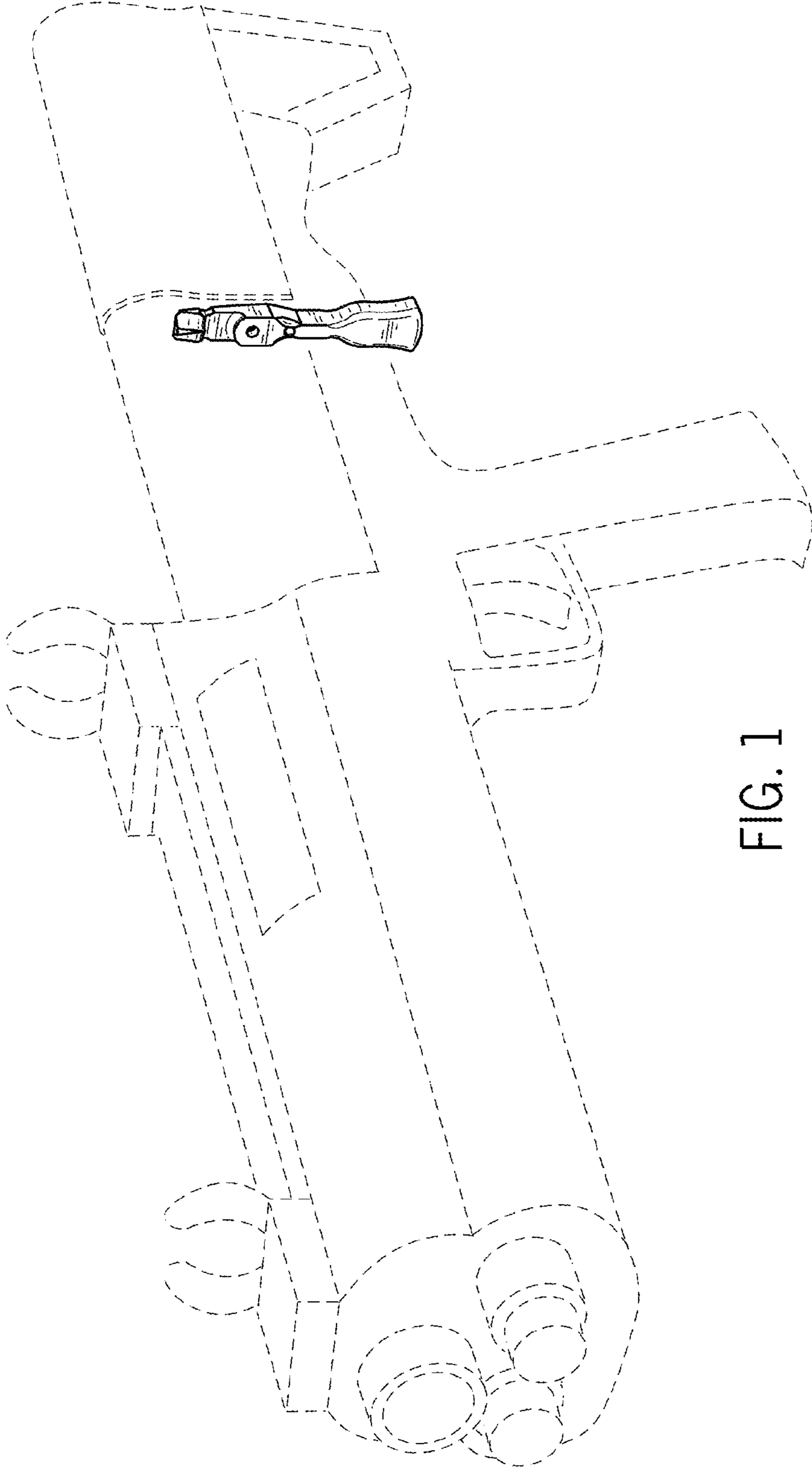


FIG. 1

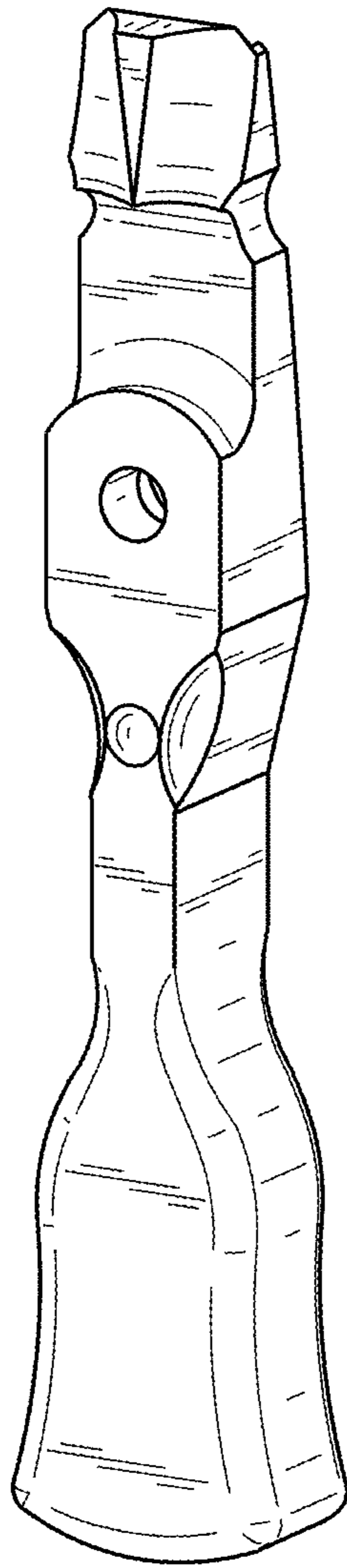


FIG. 2

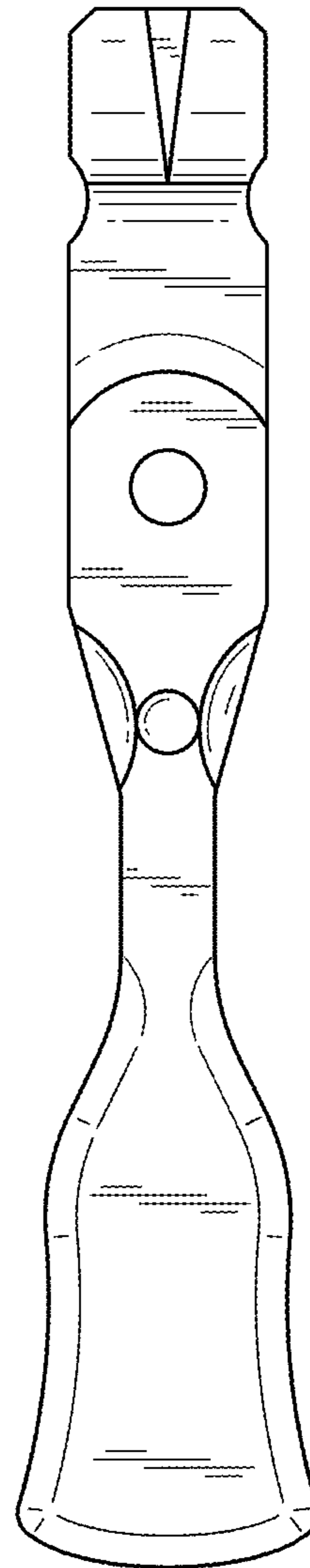


FIG. 3

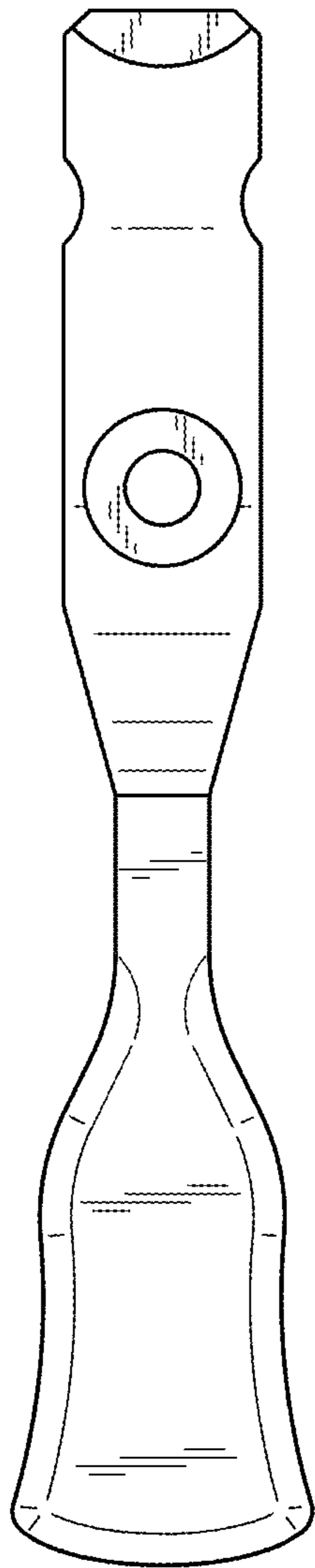


FIG. 4

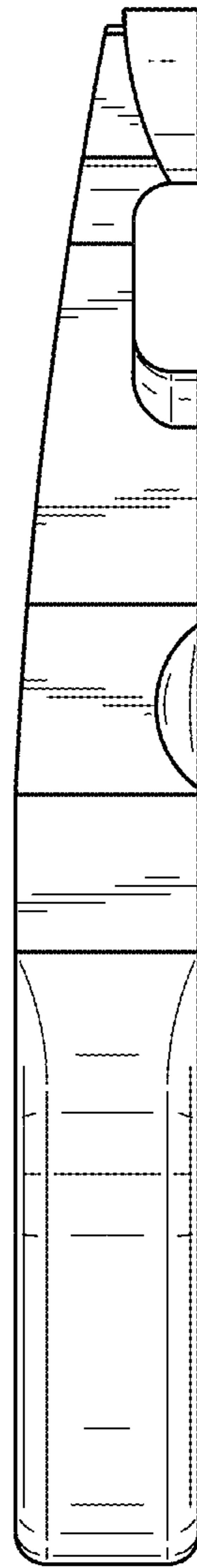


FIG. 5

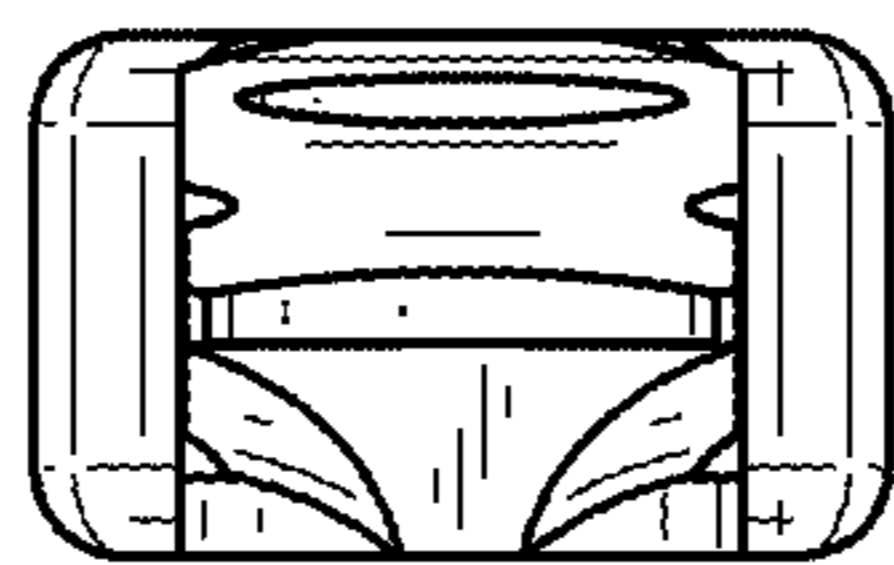


FIG. 6

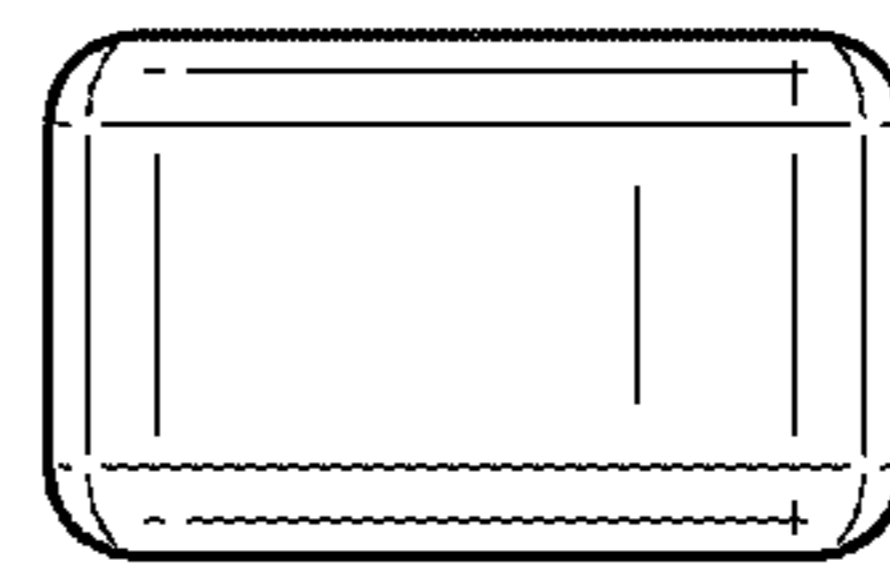


FIG. 7