

US00D741439S

(12) **United States Design Patent**
Rodich

(10) **Patent No.:** **US D741,439 S**
(45) **Date of Patent:** **** Oct. 20, 2015**

(54) **BOW**
(71) Applicant: **NXT GENERATION, LLC**, Cleveland, OH (US)
(72) Inventor: **Rudy D. Rodich**, Aurora, OH (US)
(73) Assignee: **NXT Generation, LLC**, Akron, OH (US)
(**) Term: **14 Years**

5,853,001 A 12/1998 Vyprachticky
5,921,227 A 7/1999 Allshouse et al.
6,092,516 A 7/2000 Martin et al.
D439,627 S 3/2001 D'Acquisto
6,886,549 B2 5/2005 McPherson
6,889,683 B1 5/2005 Smith
6,938,615 B1 9/2005 Walker et al.
7,987,842 B2 8/2011 McPherson
7,997,261 B2 8/2011 Scaniffe
8,371,283 B2 2/2013 Grace et al.
8,425,820 B2 4/2013 Pilpel

(Continued)

(21) Appl. No.: **29/487,189**
(22) Filed: **Apr. 7, 2014**
(51) **LOC (10) Cl.** **22-01**
(52) **U.S. Cl.**
USPC **D22/107; D21/571**
(58) **Field of Classification Search**
USPC D22/107, 199; 124/23.1, 25.6, 86, 88;
D21/571-572
CPC F41B 5/01; F41B 5/06; F41B 5/10;
F41B 5/12; F41B 5/14; F41B 5/0026; F41B
5/0031; F41B 5/0052; F41B 5/073; F41B
5/078
See application file for complete search history.

OTHER PUBLICATIONS

Photographs of Applicant's product shown in Oct. 2007 catalog.

Primary Examiner — Michael A Pratt
(74) *Attorney, Agent, or Firm* — Rankin, Hill & Clark LLP

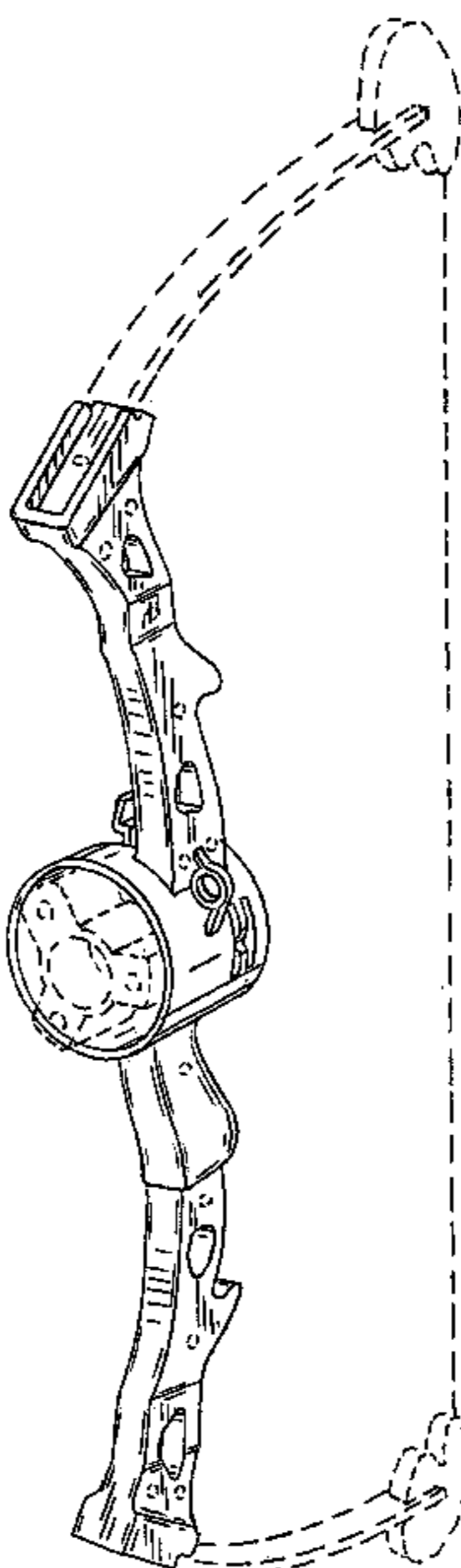
(57) **CLAIM**
The ornamental design for a bow, as shown and described.

DESCRIPTION

FIG. 1 is a front left perspective view of a bow in accordance with the present invention;
FIG. 2 is a rear right perspective view of the bow shown in FIG. 1;
FIG. 3 is a left side elevational view of the bow shown in FIG. 1;
FIG. 4 is a front elevational view of the bow shown in FIG. 1;
FIG. 5 is a rear elevational view of the bow shown in FIG. 1;
FIG. 6 is a right side elevational view of the bow shown in FIG. 1;
FIG. 7 is a top view of the bow shown in FIG. 3; and,
FIG. 8 is a bottom view of the bow shown in FIG. 3.
The broken lines showing mounting arrangements and additional components are for illustrative purposes only and do not form a part of the claimed design.

(56) **References Cited**
U.S. PATENT DOCUMENTS
3,207,146 A * 9/1965 Grable 124/23.1
3,377,999 A * 4/1968 Bennett 124/88
3,777,734 A 12/1973 Rose
4,282,850 A * 8/1981 Warnicke 124/24.1
D262,479 S 12/1981 Stewart
4,572,153 A 2/1986 MacPherson
D297,965 S 10/1988 Luse
5,001,837 A 3/1991 Bray
5,005,554 A 4/1991 Shepley et al.
5,119,796 A 6/1992 Dehlbom
D337,796 S * 7/1993 Sutyak D21/571

1 Claim, 4 Drawing Sheets



(56)

References Cited

U.S. PATENT DOCUMENTS

8,505,526 B1 8/2013 McPherson et al.
8,596,256 B2 12/2013 McPherson

2003/0172915 A1 9/2003 Andrews
2012/0042861 A1 2/2012 Anselmo
2013/0298891 A1 11/2013 Romney
2013/0306046 A1* 11/2013 Ady et al. 124/25.6

* cited by examiner

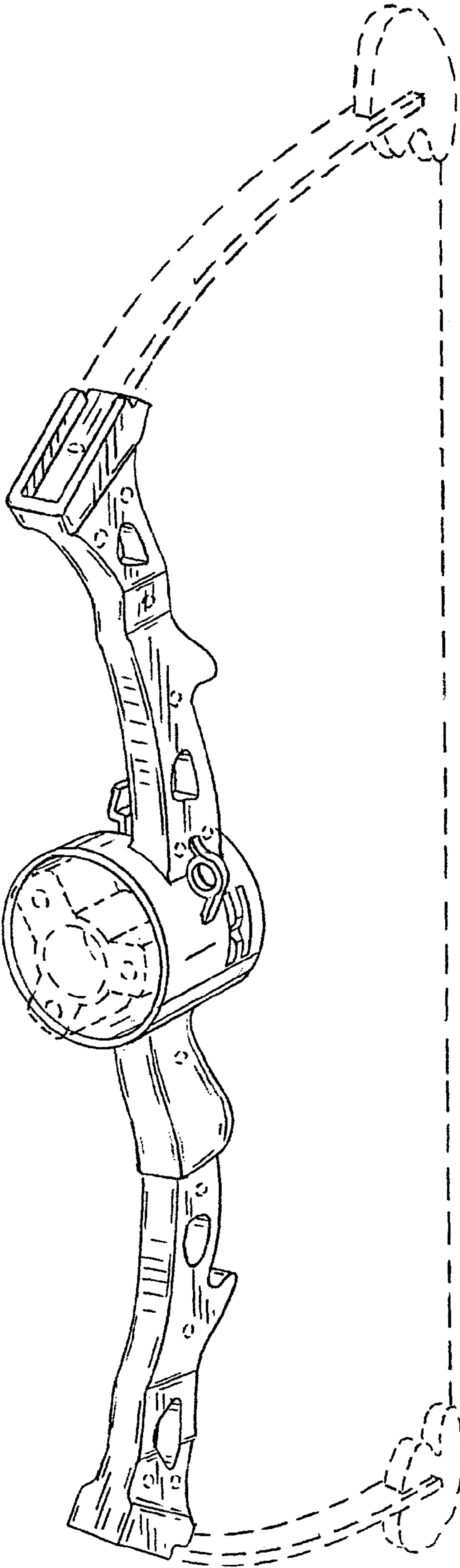


FIG. 1

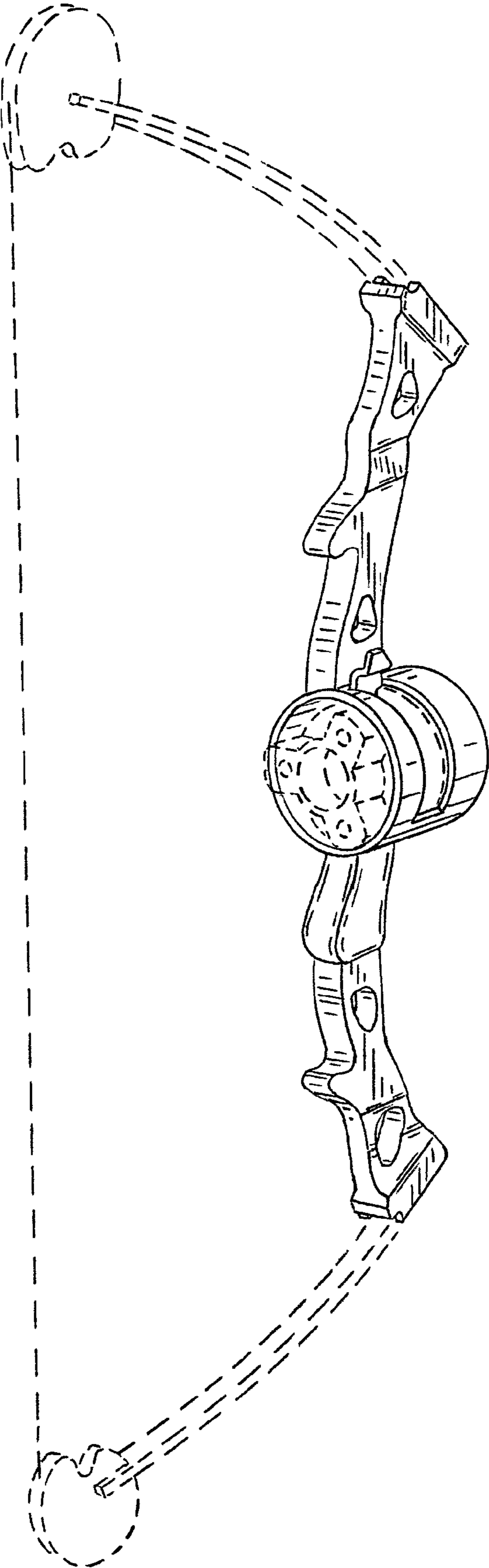


FIG. 2

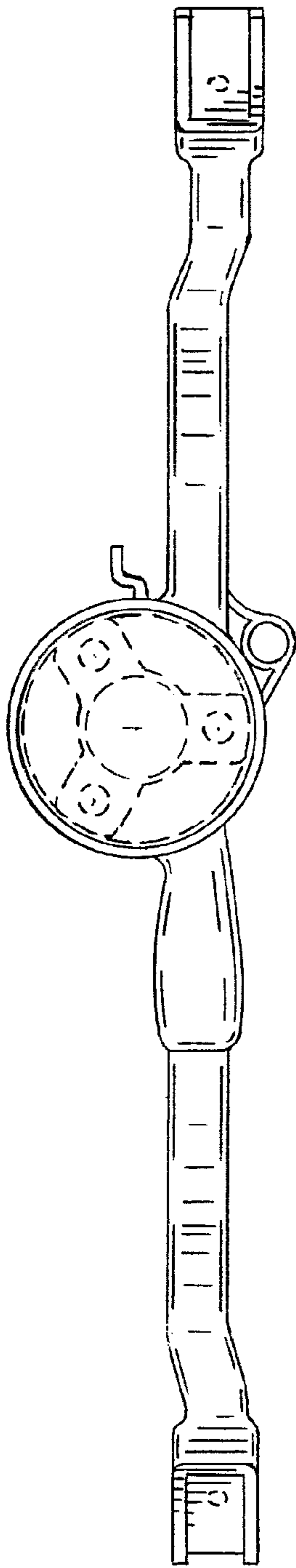


FIG. 4

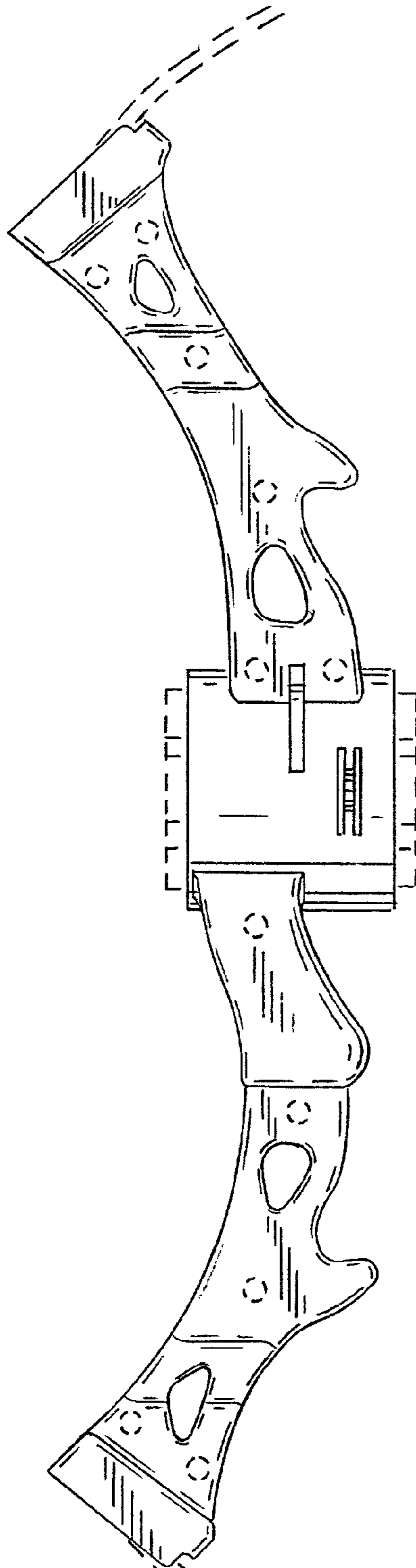


FIG. 3

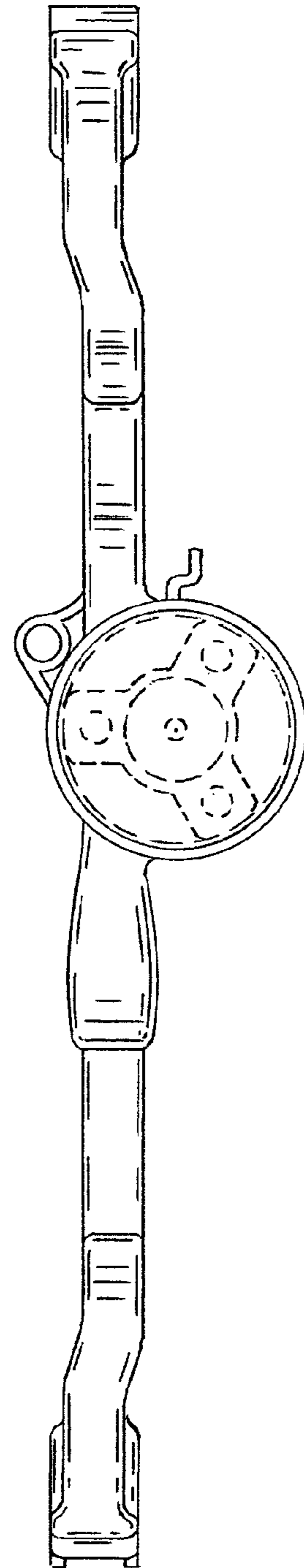


FIG. 5

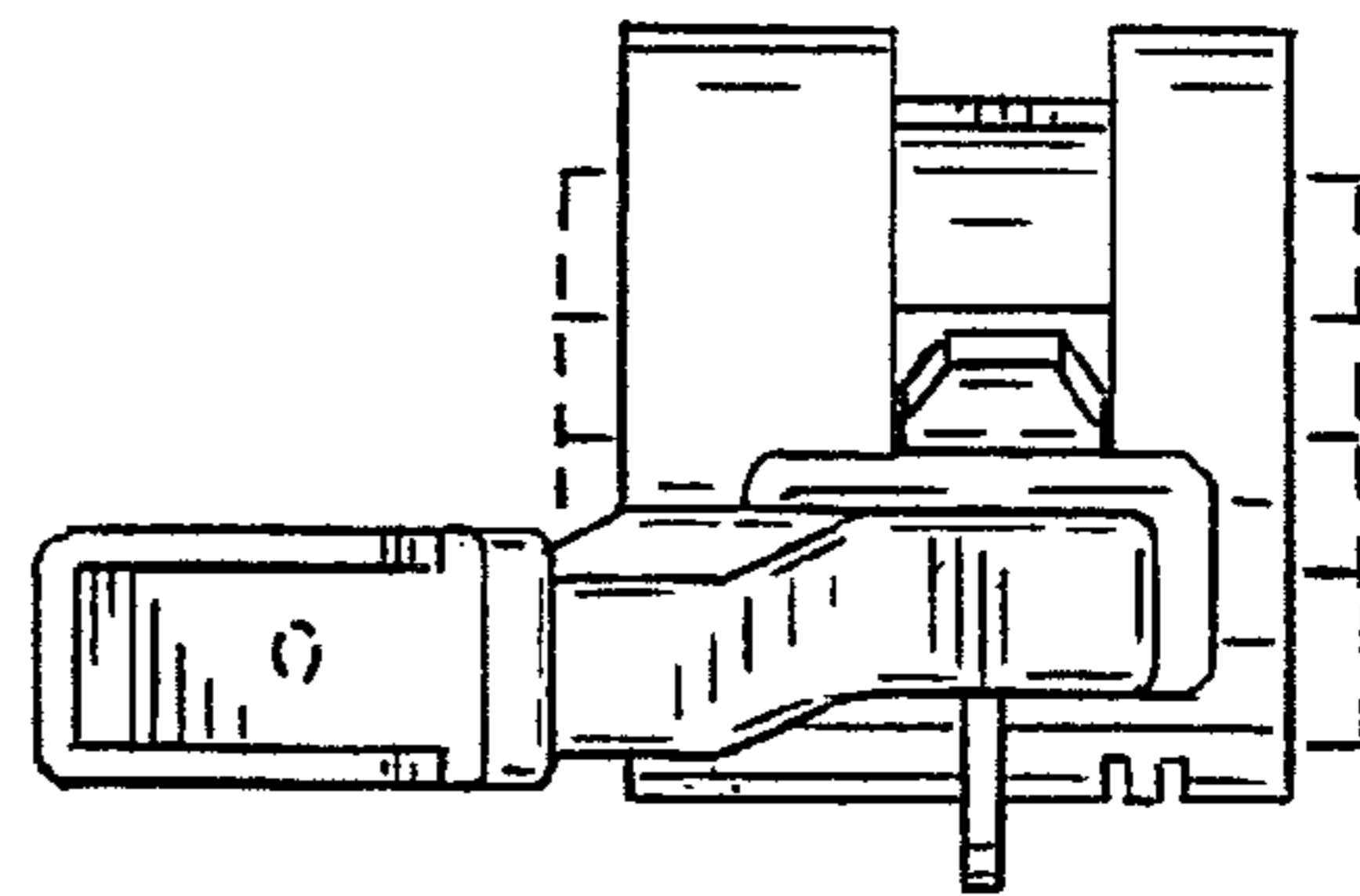
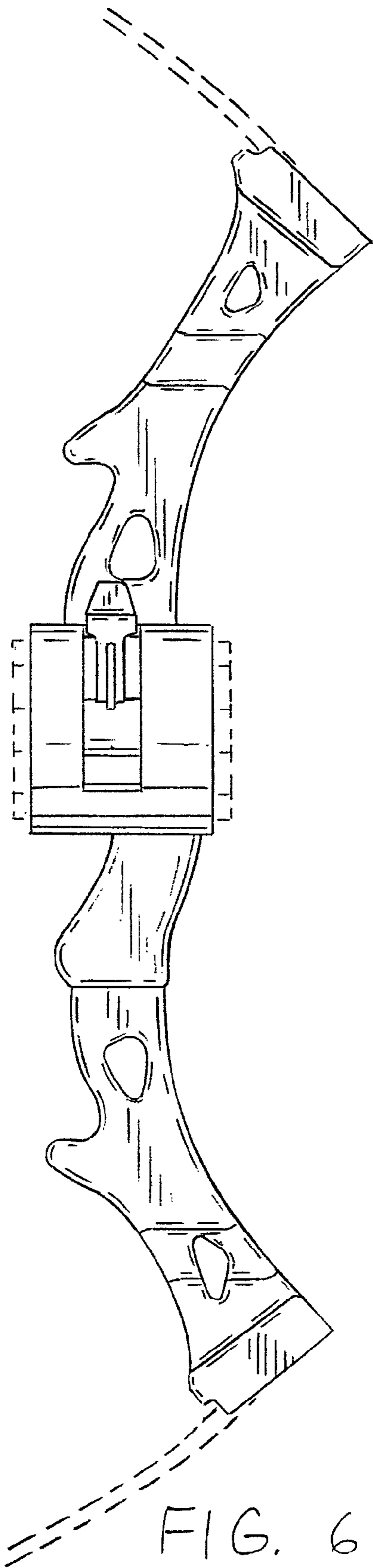


FIG. 7

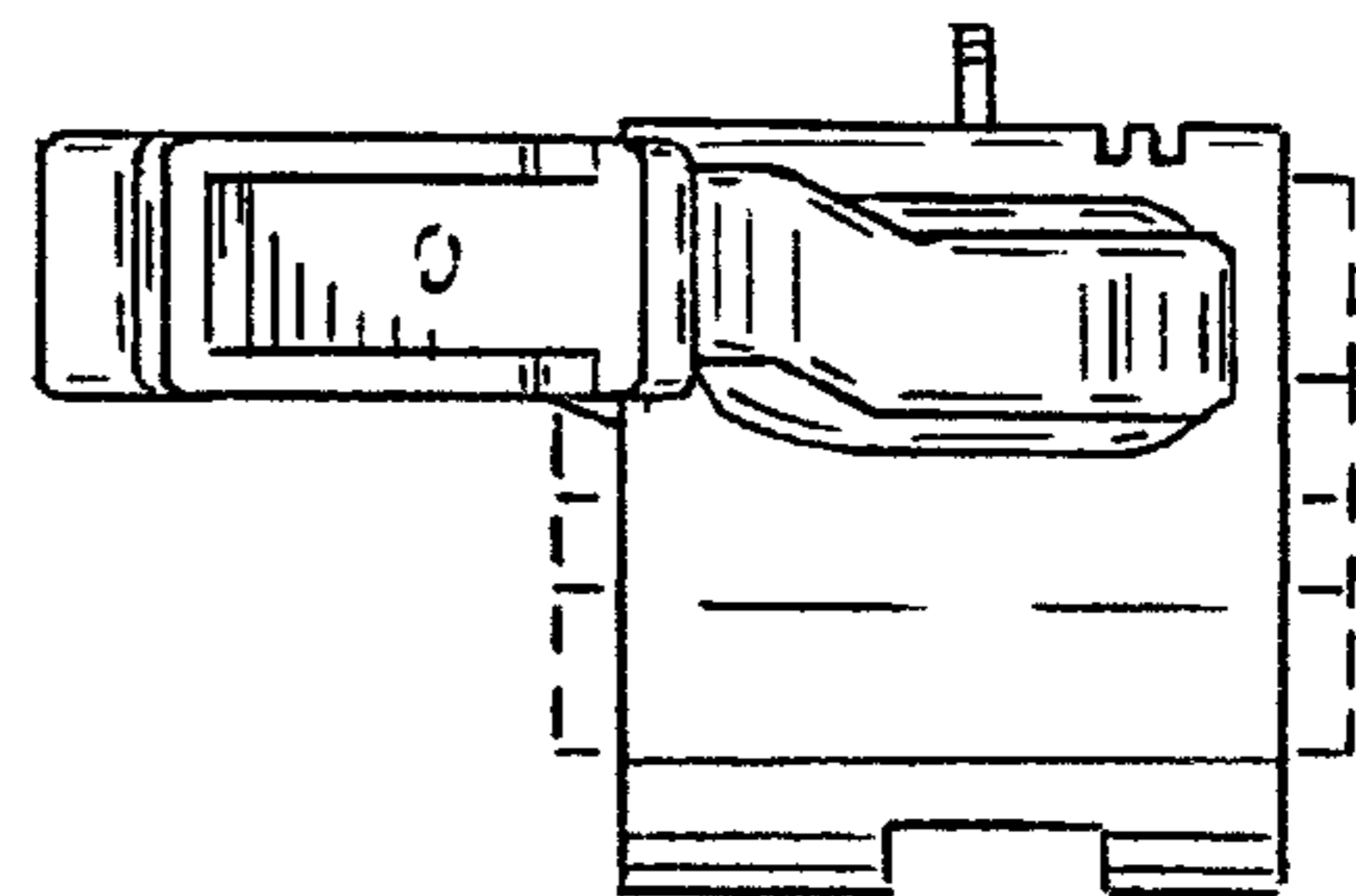


FIG. 8