



US00D741438S

(12) **United States Design Patent**
Wright, III

(10) **Patent No.:** **US D741,438 S**
(45) **Date of Patent:** **** Oct. 20, 2015**

(54) **COMPACT CROSSBOW HOLDER FOR A TREE STAND**

(71) Applicant: **Bow Buddy Holdings, LLC**, St. Helen, MI (US)

(72) Inventor: **Ernest William Wright, III**, St. Helen, MI (US)

(73) Assignee: **My Bow Buddy Michigan, LLC**, St. Helen, MI (US)

(**) Term: **14 Years**

(21) Appl. No.: **29/487,092**

(22) Filed: **Apr. 4, 2014**

(51) **LOC (10) Cl.** **22-01**

(52) **U.S. Cl.**
USPC **D22/107**

(58) **Field of Classification Search**
USPC D22/107, 199; 42/94; D6/552; 211/64;
224/916; 33/265; 248/166, 309.1;
124/1, 20.1, 23.1, 86, 24.1
CPC A01M 31/02; A01M 31/025
See application file for complete search history.

(56) **References Cited**

U.S. PATENT DOCUMENTS

3,963,156 A * 6/1976 Perrin 224/268
D260,674 S * 9/1981 Simmons et al. D6/552

4,531,643 A * 7/1985 Bradley 211/64
D288,626 S * 3/1987 Webber D3/221
D299,199 S * 1/1989 Rogowski D6/552
5,316,155 A * 5/1994 Collins et al. 211/70.5
5,377,657 A * 1/1995 Foster et al. 124/86
D375,645 S * 11/1996 Foster et al. D6/552
D422,333 S * 4/2000 Foster et al. D22/107
D633,978 S * 3/2011 Vande Noord D22/108
D676,515 S * 2/2013 Mosteller D22/107
D700,942 S * 3/2014 Smith et al. D22/108
2013/0145671 A1* 6/2013 Cavell 42/94

* cited by examiner

Primary Examiner — Michael A Pratt

(74) *Attorney, Agent, or Firm* — Harness, Dickey & Pierce, P.L.C.

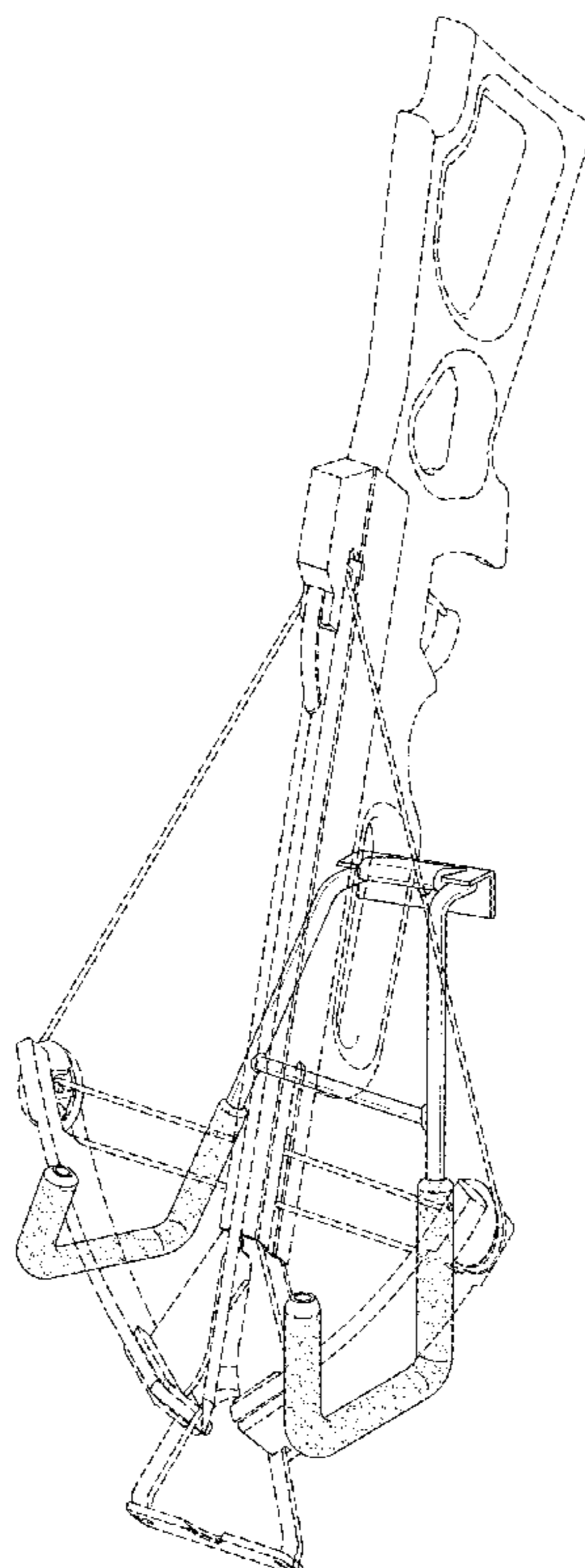
(57) **CLAIM**

The ornamental design for a compact crossbow holder for a tree stand, as shown and described.

DESCRIPTION

FIG. 1 is a perspective view of a compact crossbow holder for a tree stand embodying my new design;
FIG. 2 is a front view thereof;
FIG. 3 is a rear view thereof;
FIG. 4 is a left view thereof;
FIG. 5 is a right view thereof;
FIG. 6 is a top view thereof; and,
FIG. 7 is a bottom view thereof.
The broken lines are for illustrative purposes only and form no part of the claimed invention.

1 Claim, 4 Drawing Sheets



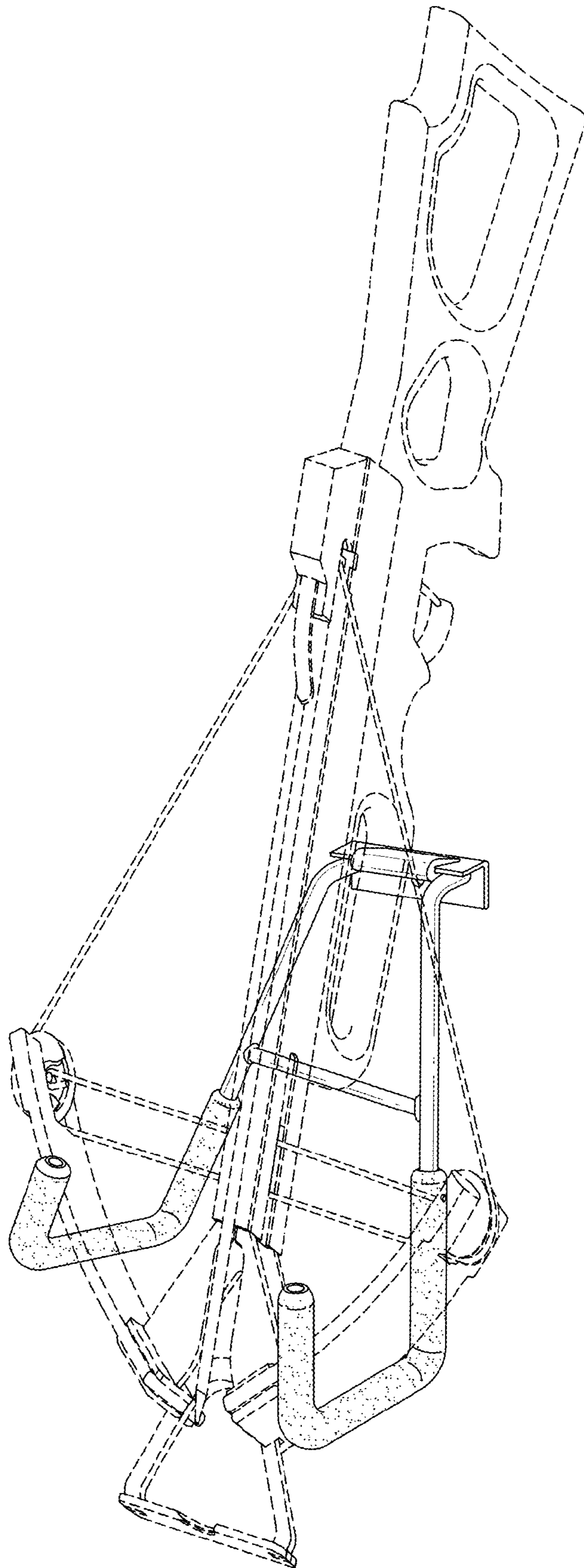


Fig-1

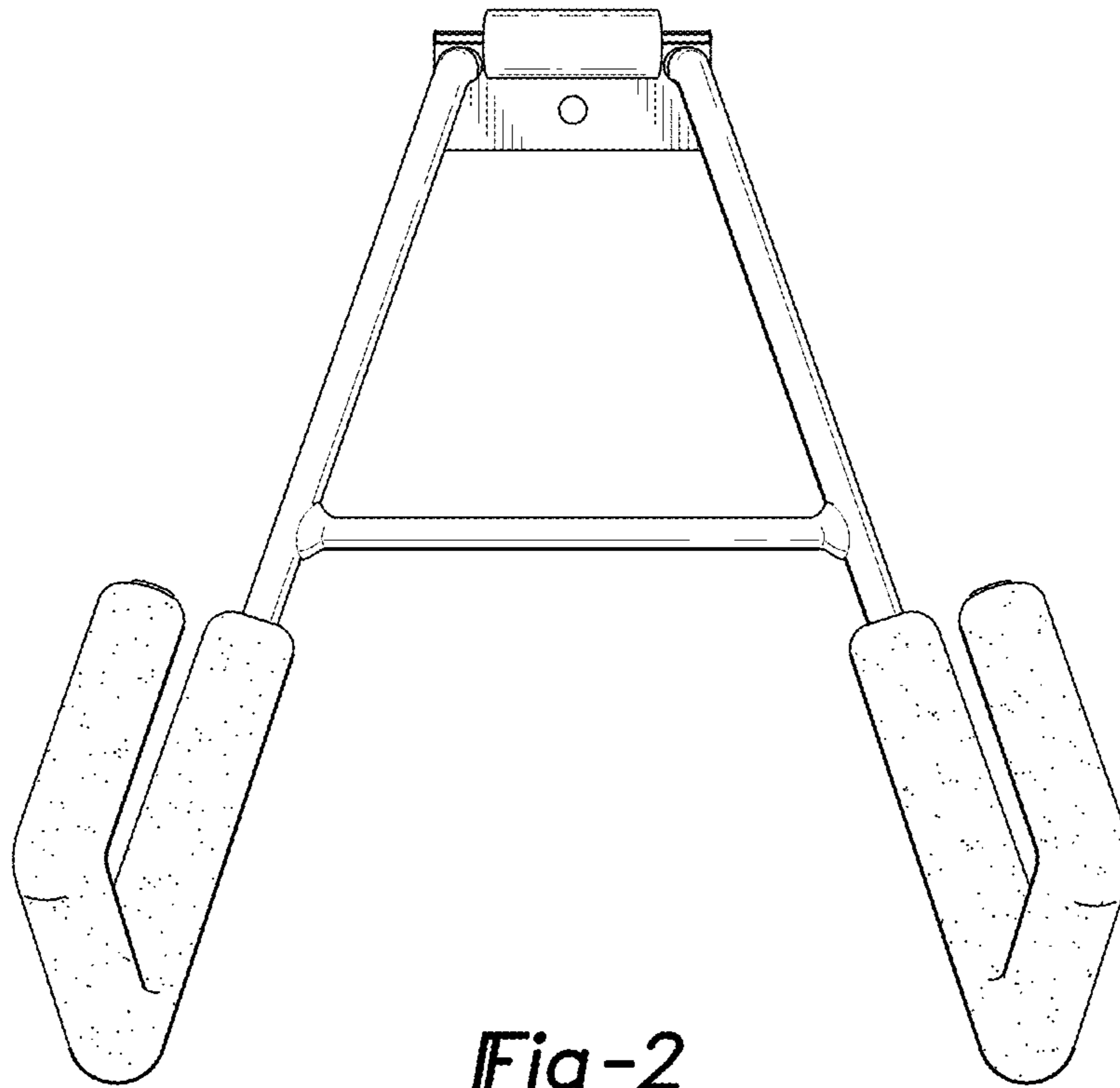


Fig-2

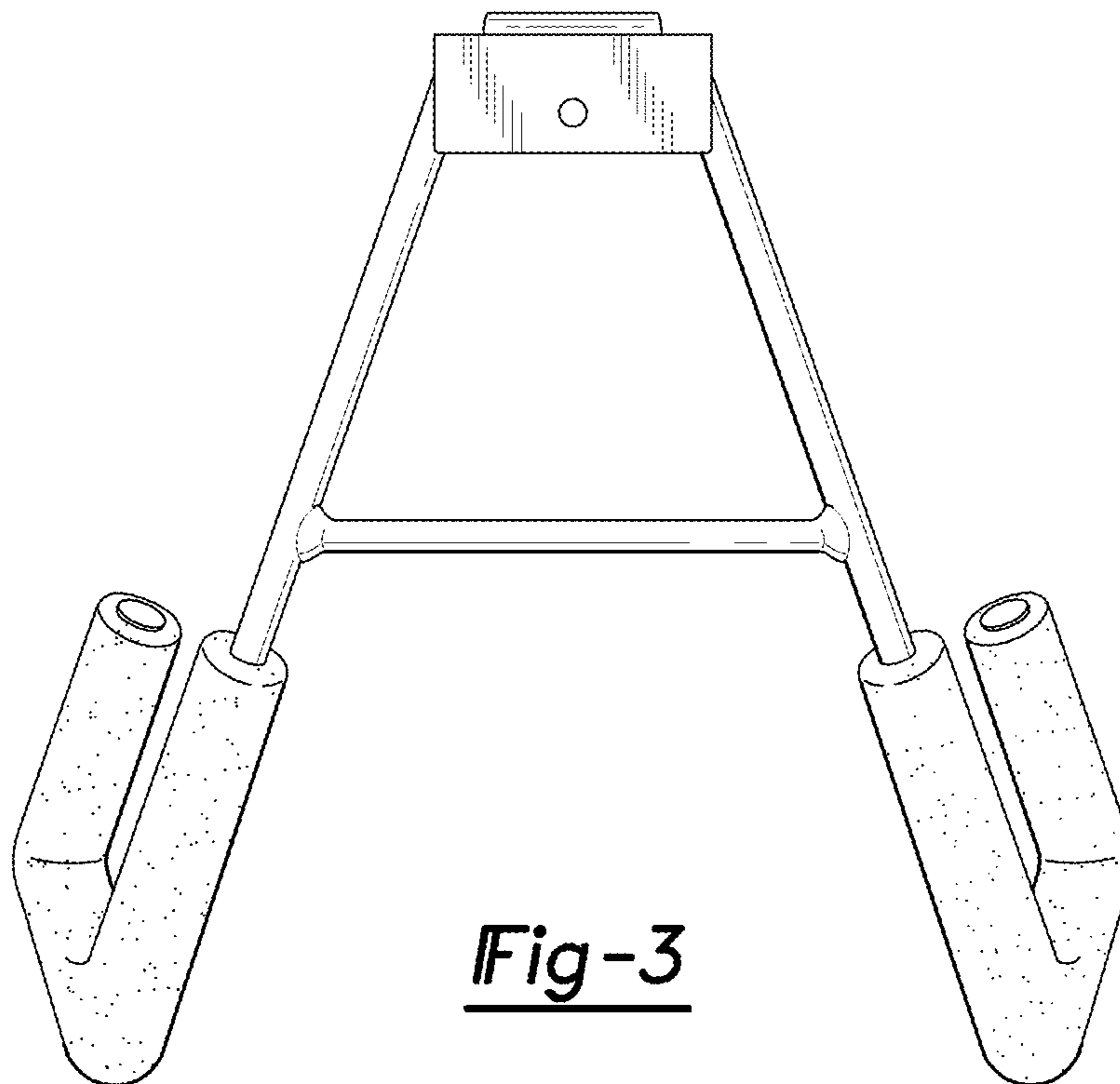


Fig-3

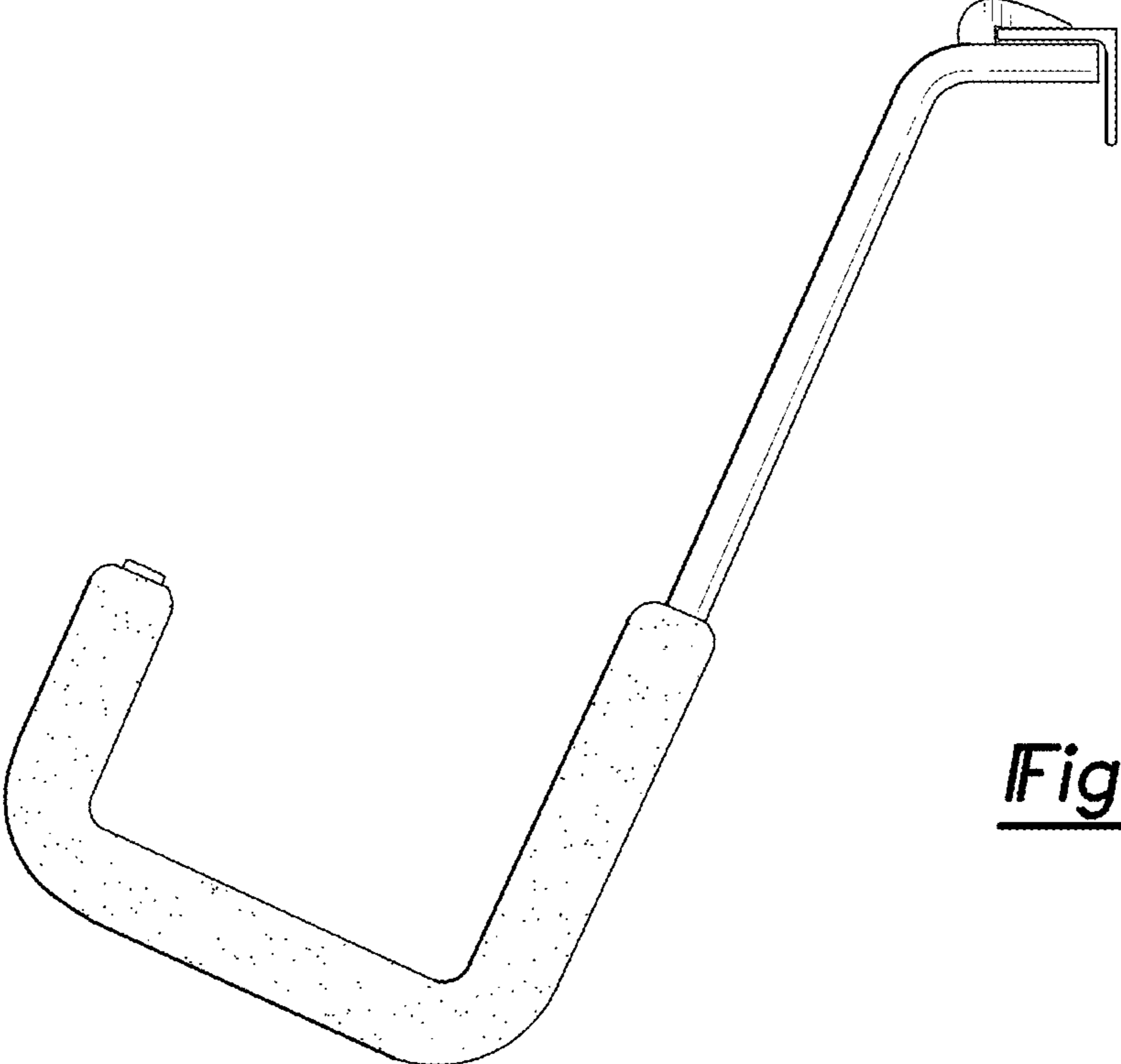


Fig-4

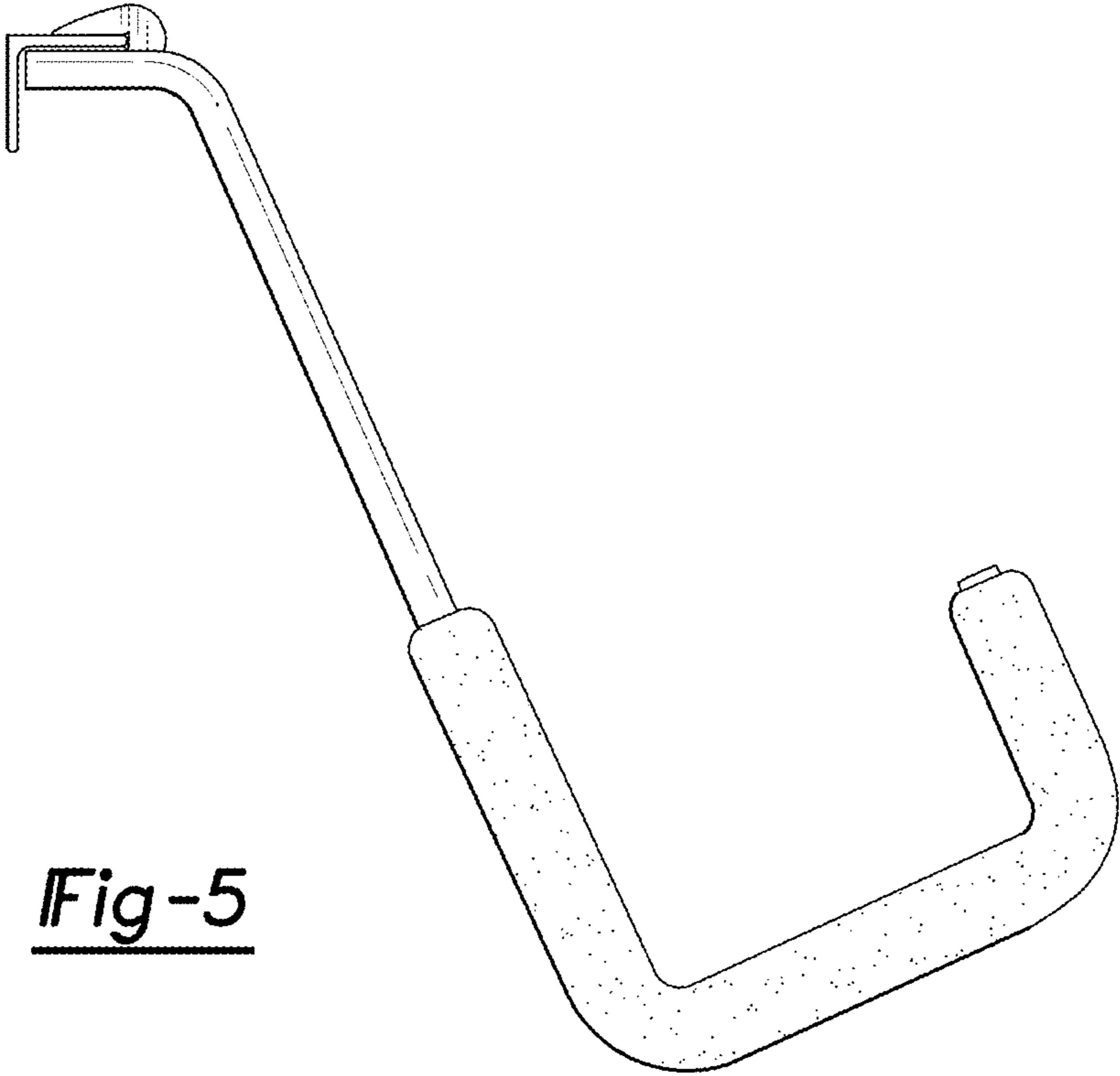


Fig-5

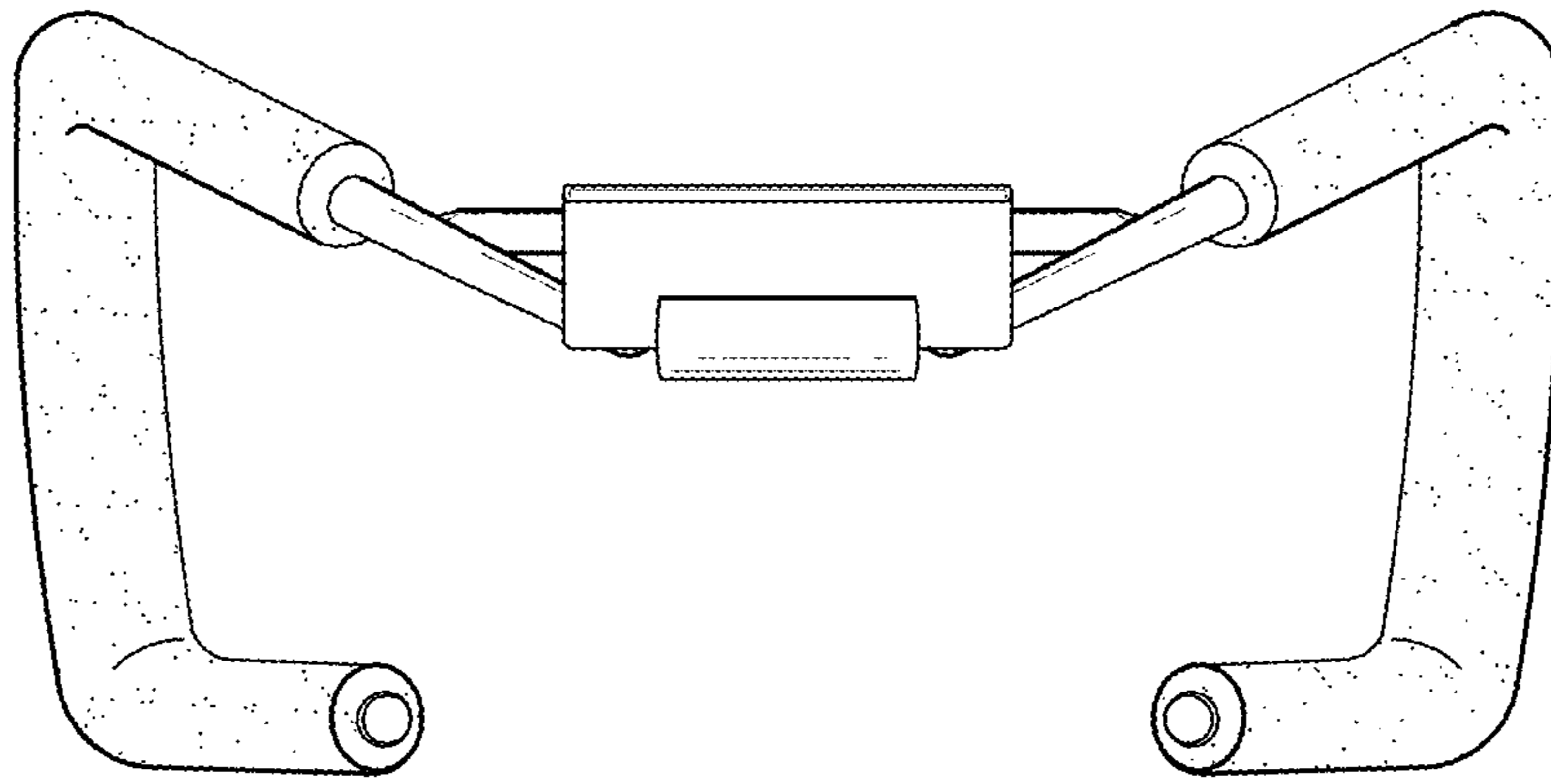


Fig-6

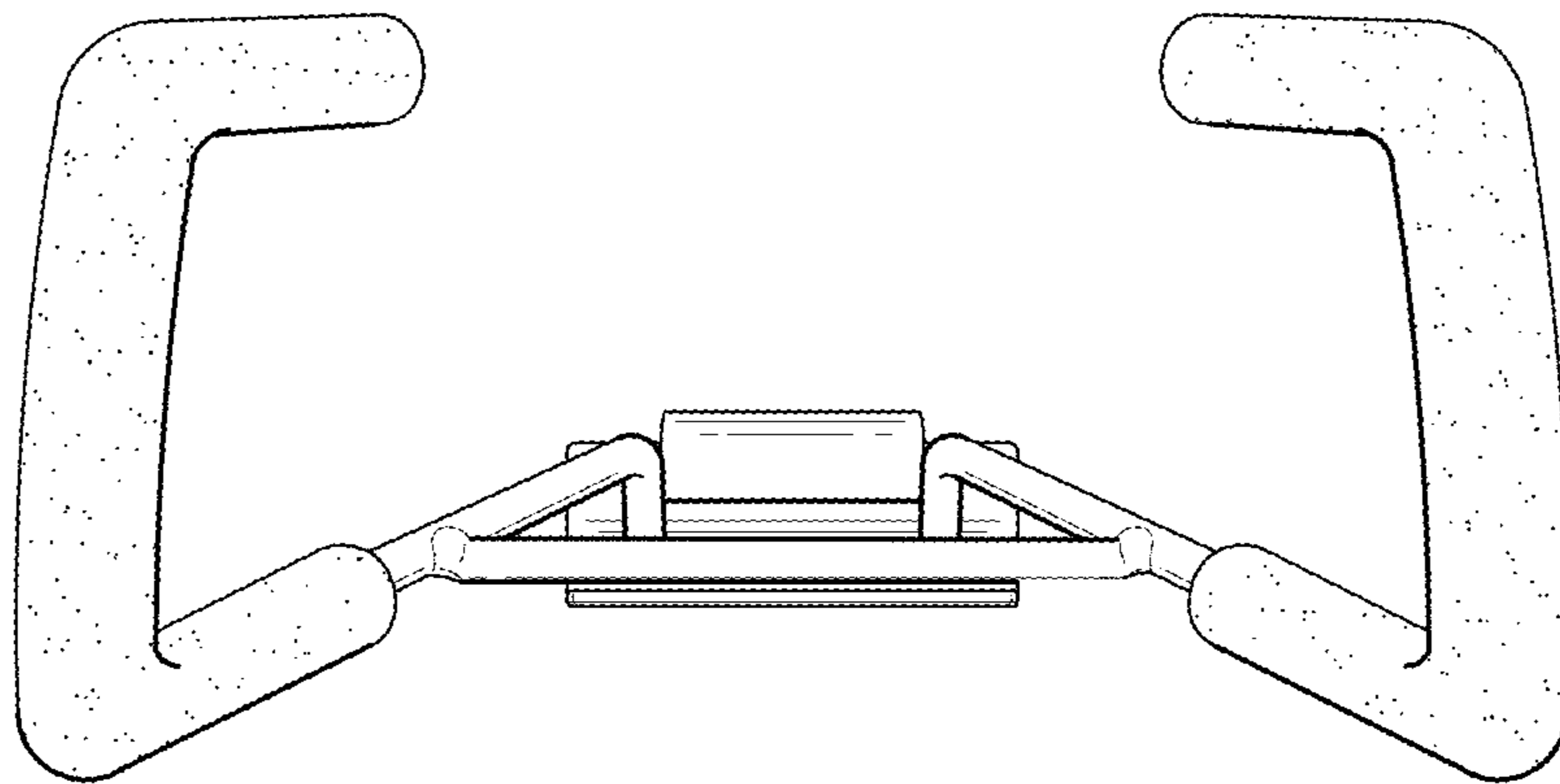


Fig-7