



US00D741436S

(12) **United States Design Patent**
Lin et al.

(10) **Patent No.:** **US D741,436 S**
(45) **Date of Patent:** **** Oct. 20, 2015**

- (54) **OVAL INFLATABLE SPA**
- (71) Applicant: **Intex Recreation Corporation**, Long Beach, CA (US)
- (72) Inventors: **Hua Hsiang Lin**, Haicang (CN); **Yaw Yuan Hsu**, Haicang (CN)
- (73) Assignee: **Intex Recreation Corp.**, Long Beach, CA (US)

5,735,000	A	4/1998	Pfaeffle	
D404,457	S *	1/1999	Peterson	D21/815
D409,707	S *	5/1999	Peterson	D21/815
5,924,144	A *	7/1999	Peterson	4/488
5,987,661	A *	11/1999	Peterson	4/506
6,209,150	B1	4/2001	Hsu et al.	
6,412,123	B1	7/2002	Lau	
D554,729	S *	11/2007	Peterson	D21/815
7,987,531	B2	8/2011	West	
D725,210	S *	3/2015	Anastasia	D21/815
2004/0040083	A1	3/2004	Bentley	
2015/0020306	A1*	1/2015	Lin et al.	4/585

(**) Term: **14 Years**

(21) Appl. No.: **29/501,287**

(22) Filed: **Sep. 3, 2014**

(30) **Foreign Application Priority Data**

Mar. 3, 2014 (CN) 2014-30039585

(51) **LOC (10) Cl.** **21-03**

(52) **U.S. Cl.**
USPC **D21/815**

(58) **Field of Classification Search**
USPC D21/811, 814-816, 835; D6/331, 604
CPC E04H 4/00-4/0062; A47K 3/06
See application file for complete search history.

(56) **References Cited**

U.S. PATENT DOCUMENTS

D177,219	S *	3/1956	Crupi	D21/815
D178,113	S *	6/1956	Chandler	D6/331
2,861,277	A *	11/1958	Hermann	220/642
3,092,101	A	6/1963	Kinney	
3,631,544	A *	1/1972	Tytel	4/506
3,710,791	A *	1/1973	Deaton	128/205.26
D246,058	S *	10/1977	Burgess et al.	D21/815
4,535,490	A	8/1985	Wright	
4,651,360	A *	3/1987	Wang	4/506
D293,364	S	12/1987	Everard	
D318,895	S *	8/1991	Kuan	D21/816
5,101,823	A	4/1992	Smith	
5,135,440	A	8/1992	Smollar et al.	
5,345,622	A	9/1994	Plone	
D386,238	S	11/1997	Peterson	

FOREIGN PATENT DOCUMENTS

CN	3449734	5/2005
CN	3449739	5/2005
CN	300739460	1/2008
CN	300779205	5/2008
CN	300943576	6/2009
CN	301171705 S	4/2010
CN	301398132 S	12/2010

OTHER PUBLICATIONS

Intex, PureSpa Catalogue, dated Mar. 1, 2013, 2 pages.

* cited by examiner

Primary Examiner — Mitchell Siegel

(74) *Attorney, Agent, or Firm* — Faegre Baker Daniels LLP

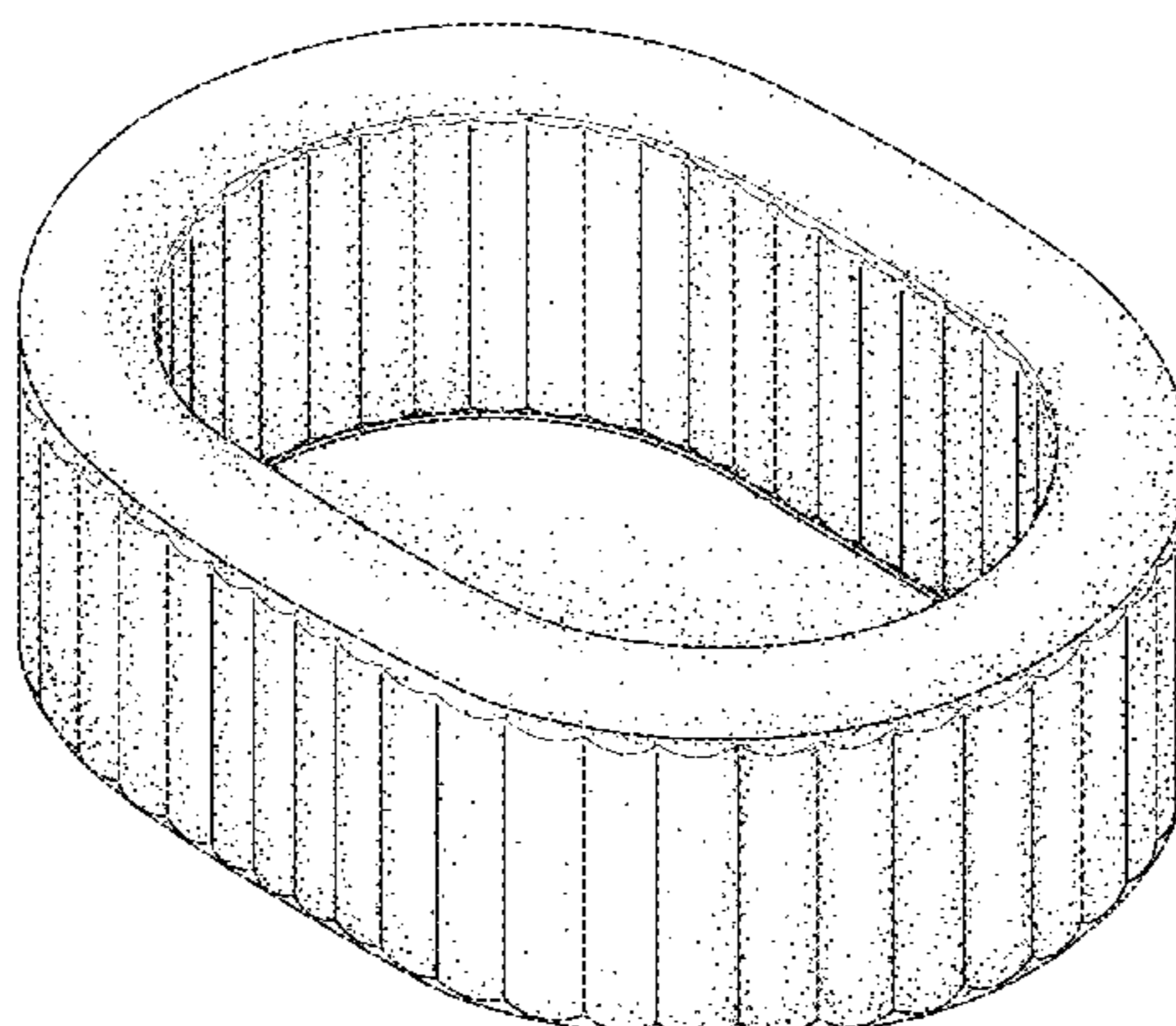
(57) **CLAIM**

We claim the ornamental design for an oval inflatable spa, as shown and described.

DESCRIPTION

FIG. 1 is a perspective view of an oval inflatable spa;
FIG. 2 is a side elevational view of the oval inflatable spa of FIG. 1;
FIG. 3 is an end elevational view of the oval inflatable spa of FIG. 1;
FIG. 4 is a top plan view of the oval inflatable spa of FIG. 1;
and,
FIG. 5 is a bottom plan view of the inflatable spa of FIG. 1.

1 Claim, 5 Drawing Sheets



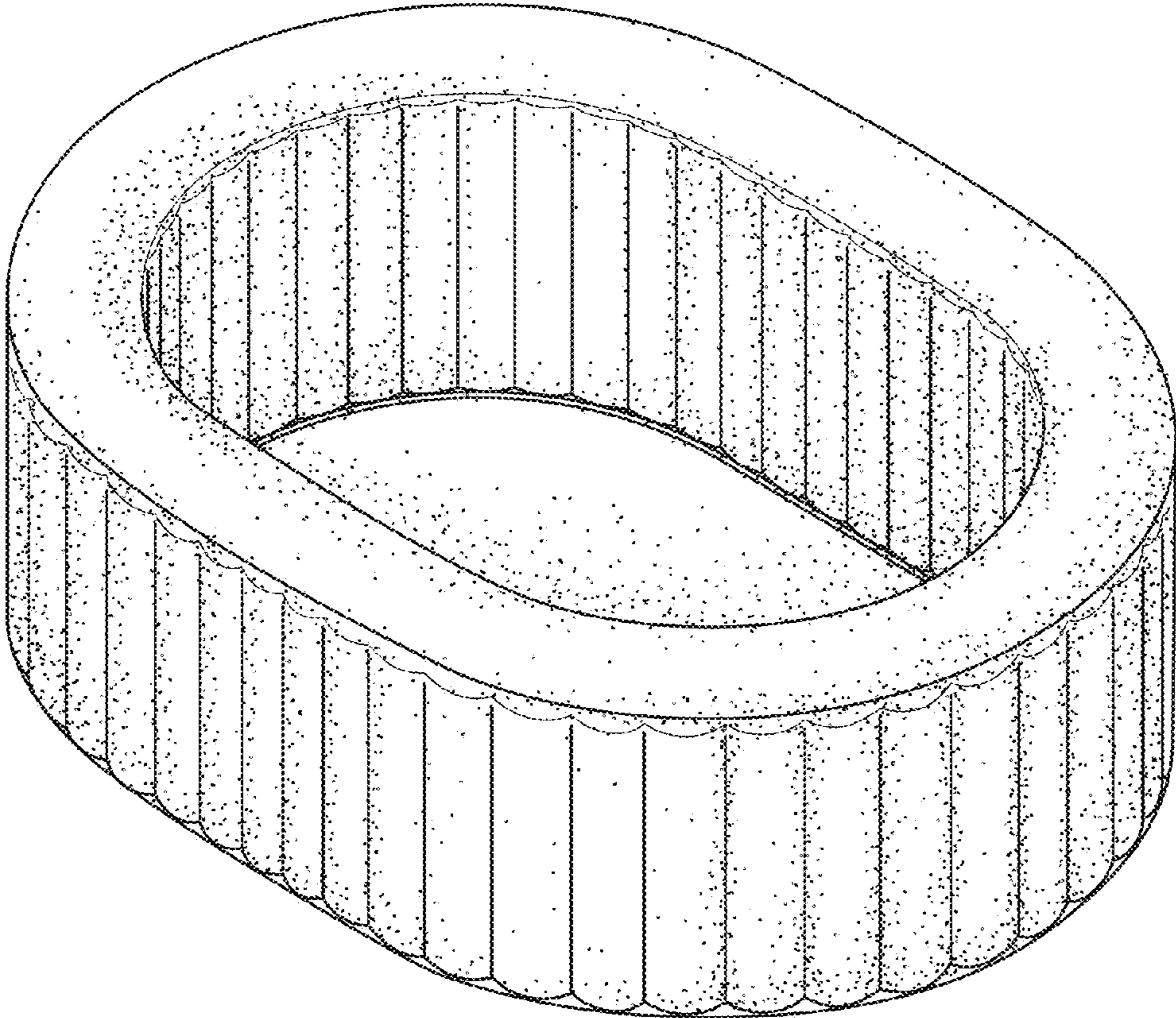


FIG. 1

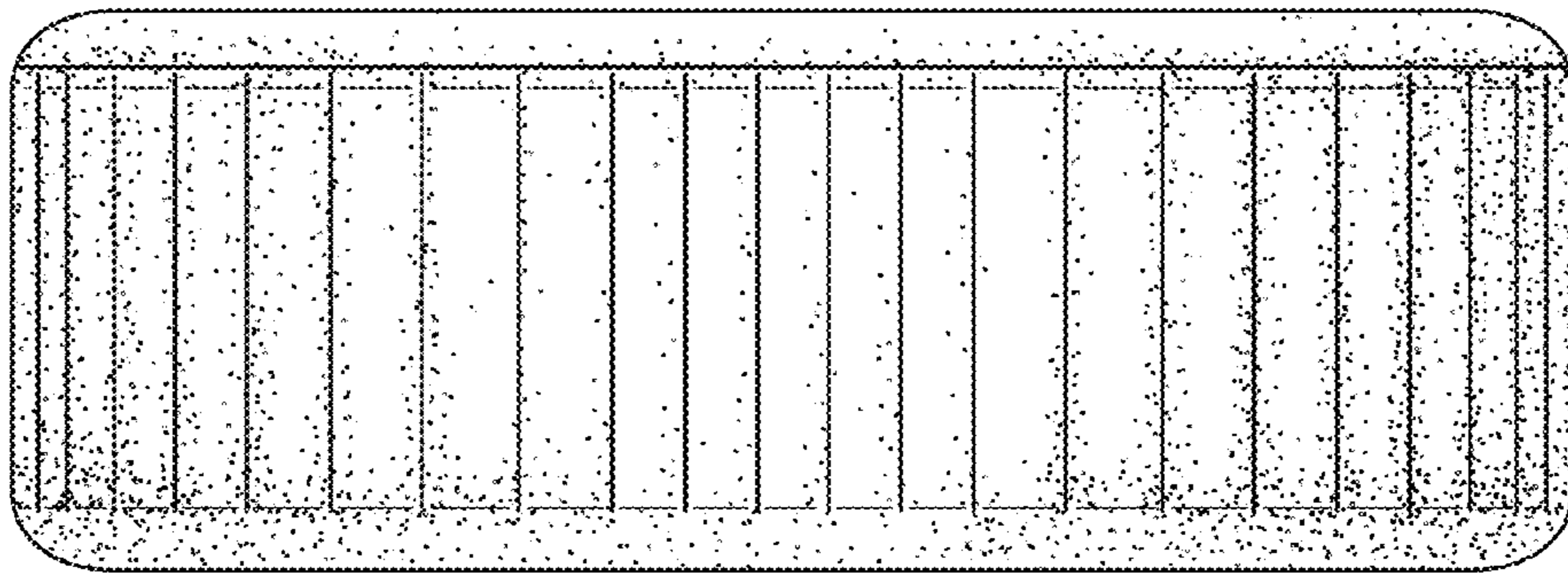


FIG. 2

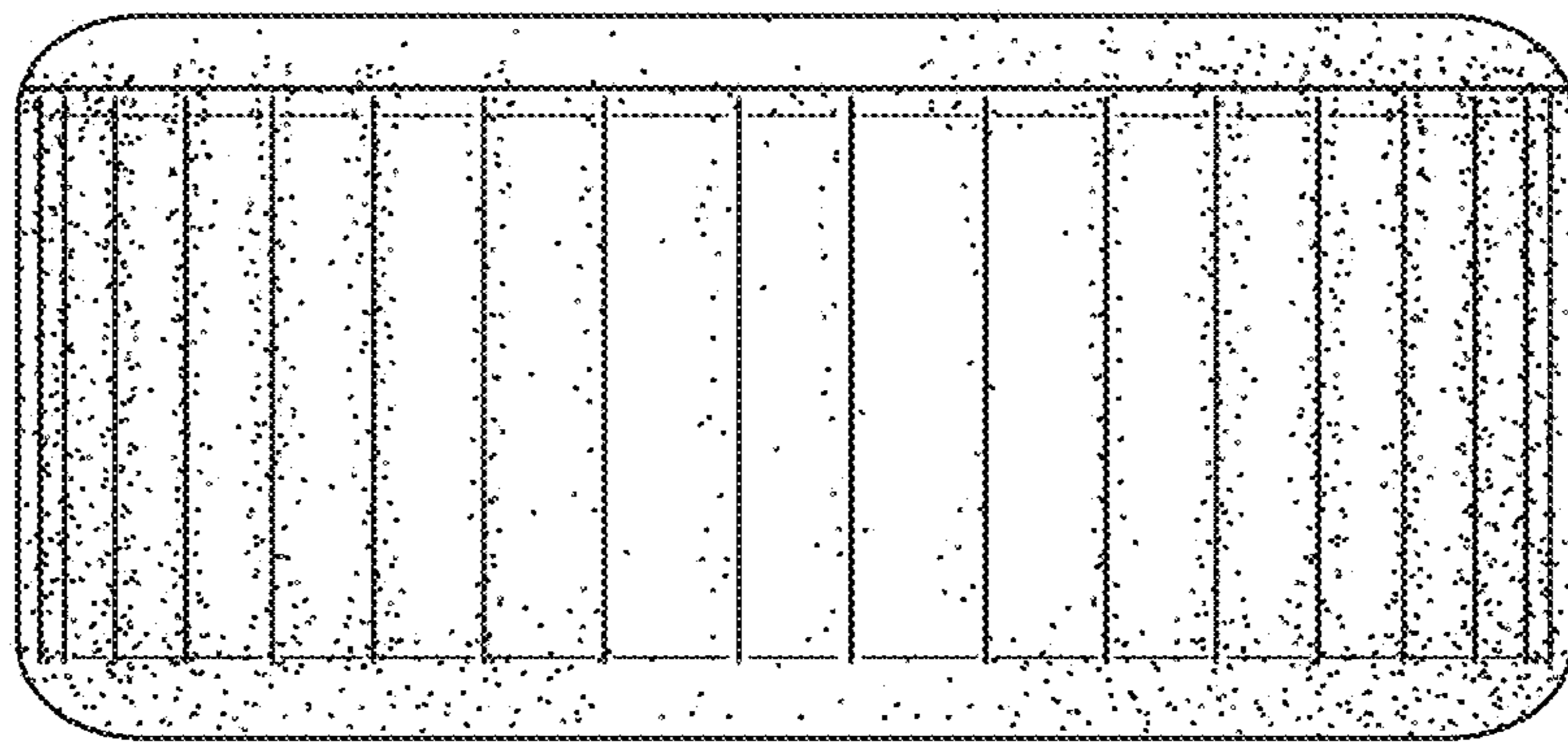


FIG. 3

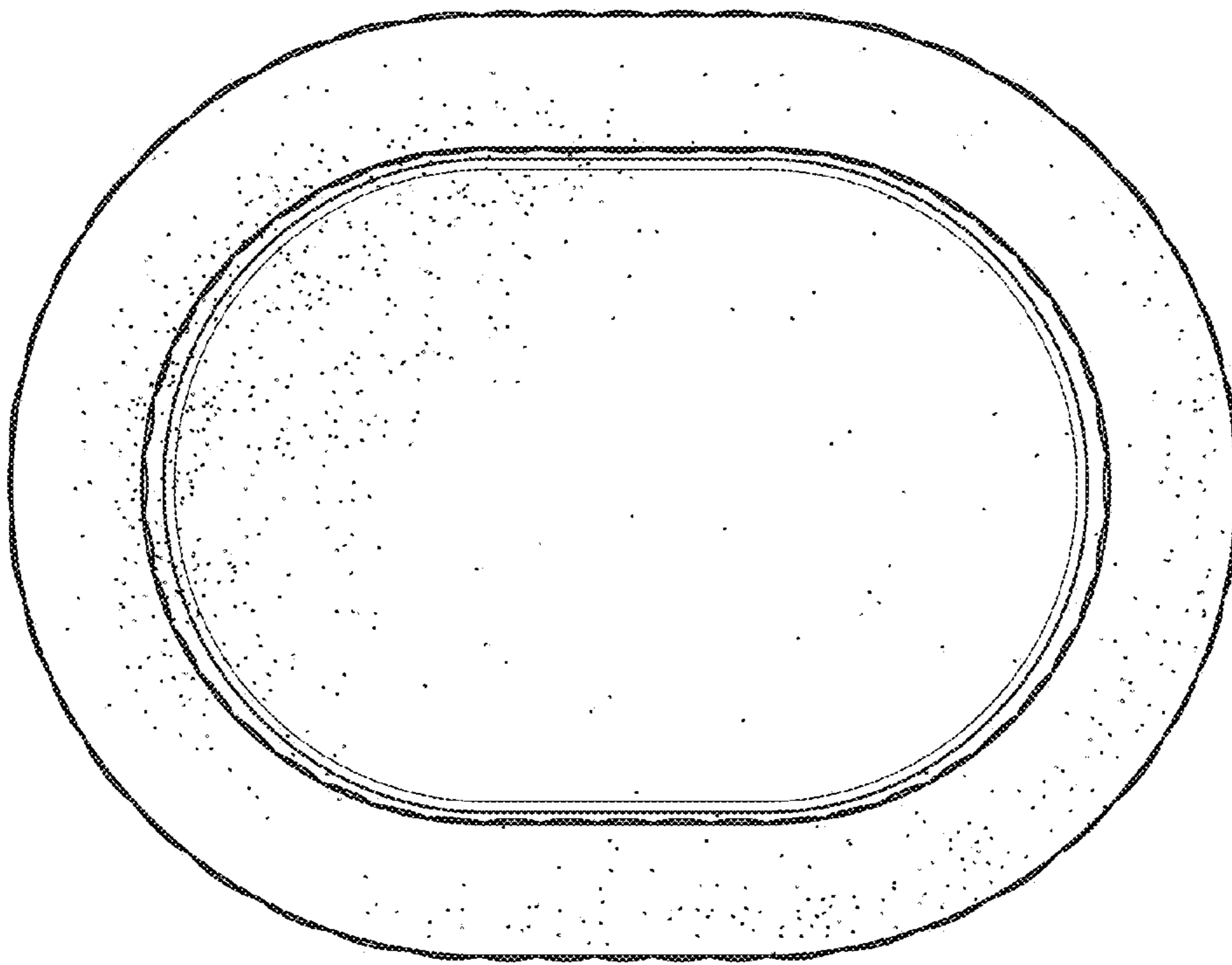


FIG. 4

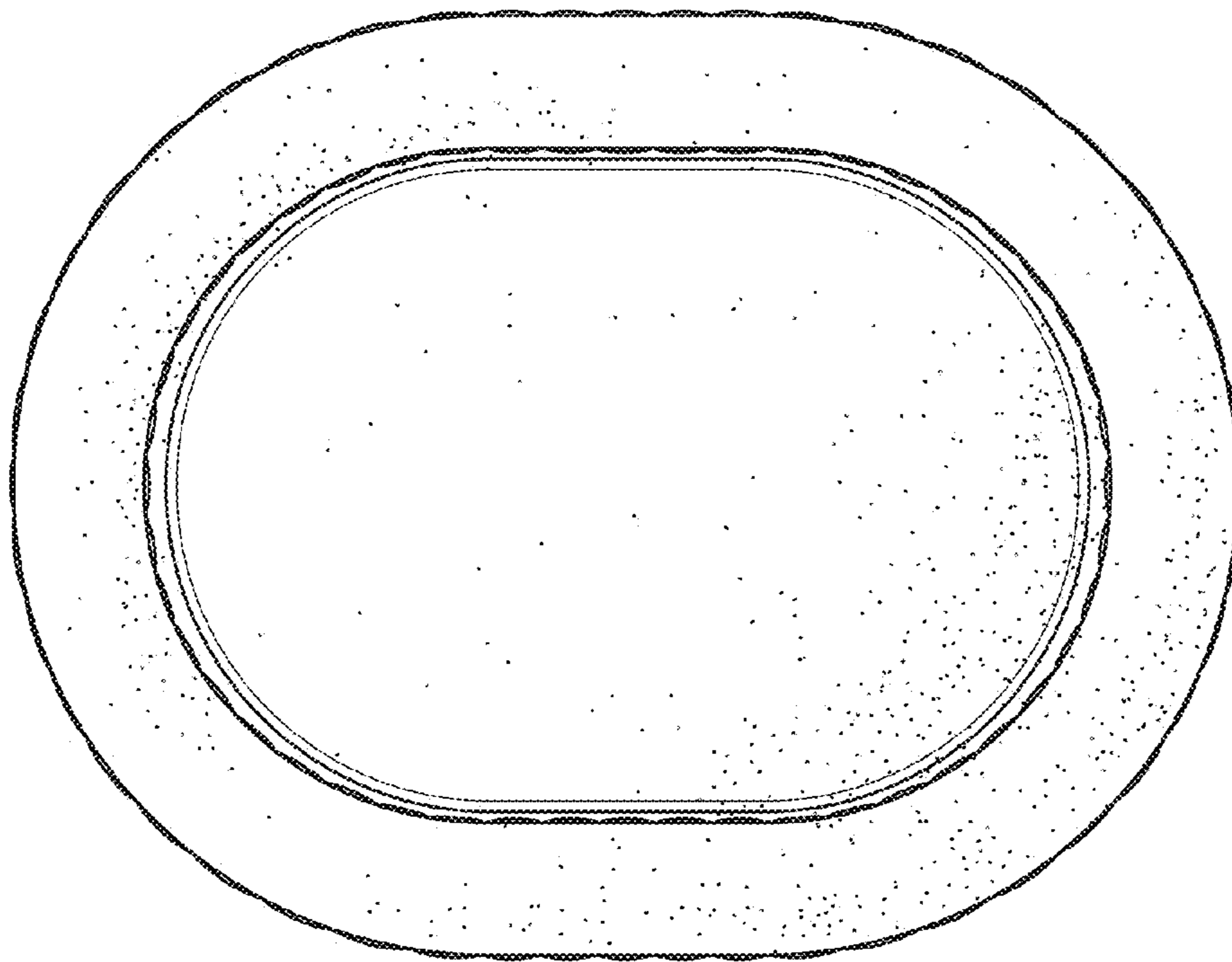


FIG. 5