



US00D741435S

(12) **United States Design Patent**
Brown et al.

(10) **Patent No.:** **US D741,435 S**

(45) **Date of Patent:** **** Oct. 20, 2015**

(54) **RAFT**

(71) Applicant: **Neoprene Distributors International,**
Auburn, CA (US)

(72) Inventors: **Paul Lee Brown,** Auburn, CA (US);
Eric Craig Brown, Auburn, CA (US)

(73) Assignee: **Neoprene Distributors International,**
Auburn, CA (US)

(**) Term: **14 Years**

(21) Appl. No.: **29/506,656**

(22) Filed: **Oct. 17, 2014**

(51) **LOC (10) Cl.** **21-02**

(52) **U.S. Cl.**
USPC **D21/808**

(58) **Field of Classification Search**
USPC D21/769–770, 801, 803, 809; 114/253,
114/345–346; 441/35, 66, 74, 40–42,
441/129–132; 472/128–129; D12/5, 6, 316;
D6/392, 595, 596, 601, 604, 605
CPC B63B 35/76
See application file for complete search history.

(56) **References Cited**

U.S. PATENT DOCUMENTS

D251,393 S * 3/1979 O’Linger D21/598
D271,071 S * 10/1983 Koether D2/719

D280,809 S * 10/1985 Wolfe D12/316
D289,191 S * 4/1987 Wolfe D21/808
D290,152 S * 6/1987 Wolfe D21/808
D302,996 S * 8/1989 Wolfe D21/808
D302,998 S * 8/1989 Wolfe D21/808
D304,751 S * 11/1989 Wolfe D21/808
D505,377 S * 5/2005 Kurucz D12/301
D555,747 S 11/2007 Brown
D665,865 S * 8/2012 Goolie et al. D21/803

* cited by examiner

Primary Examiner — Zenia Bennett

(74) *Attorney, Agent, or Firm* — Stephen C. Beuerle;
Procopio Cory Hargreaves & Savitch LLP

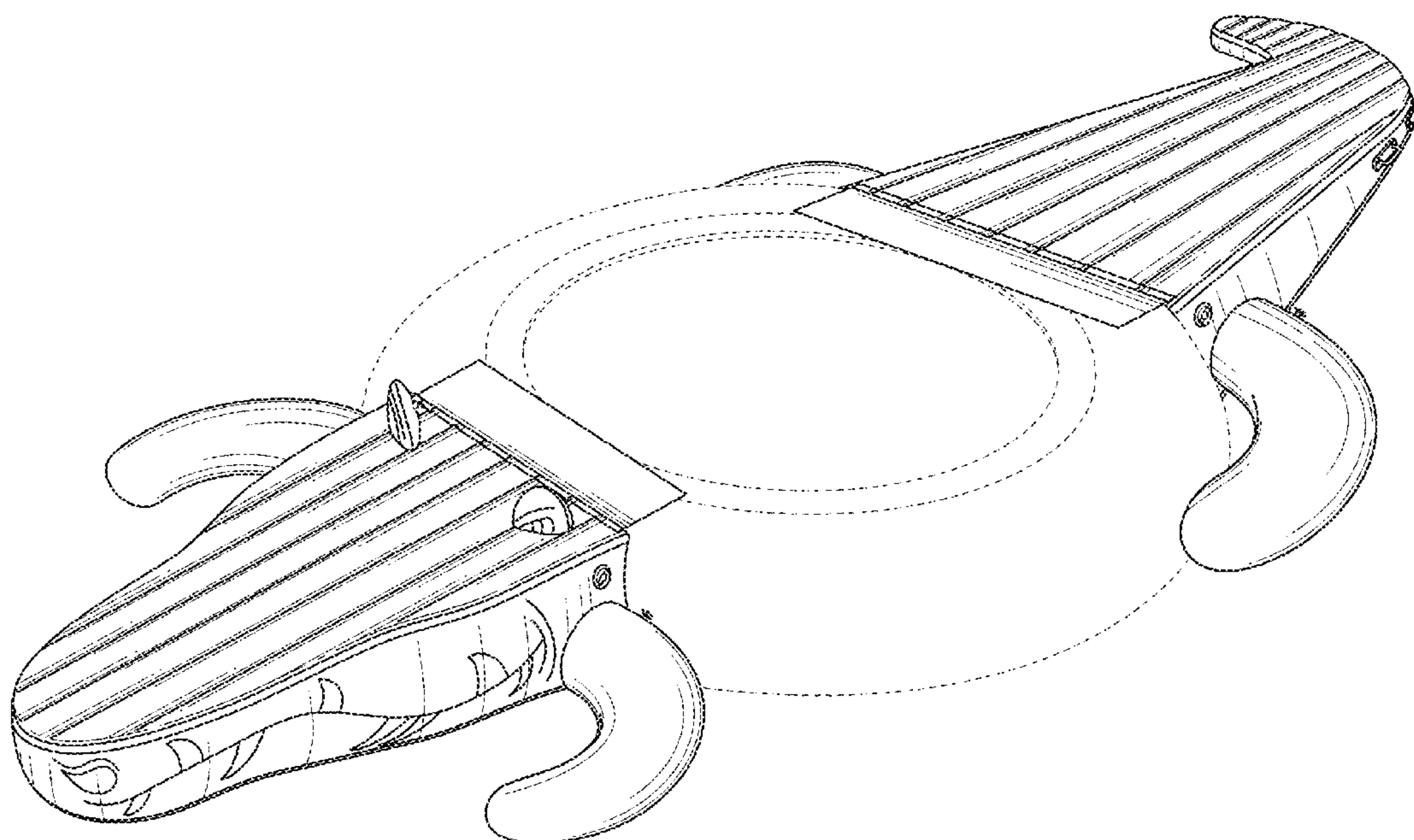
(57) **CLAIM**

The ornamental design for a raft, as shown and described.

DESCRIPTION

FIG. 1 is a front perspective view of the raft;
FIG. 2 is a left side elevational view of the raft;
FIG. 3 is a right side elevational view of the raft;
FIG. 4 is a rear elevational view of the raft;
FIG. 5 is a front elevational view of the raft;
FIG. 6 is a top plan view of the raft; and,
FIG. 7 is a bottom plan view of the raft.
The broken lines in the drawing are for illustrative purposes
only and form no part of the claimed design.

1 Claim, 5 Drawing Sheets



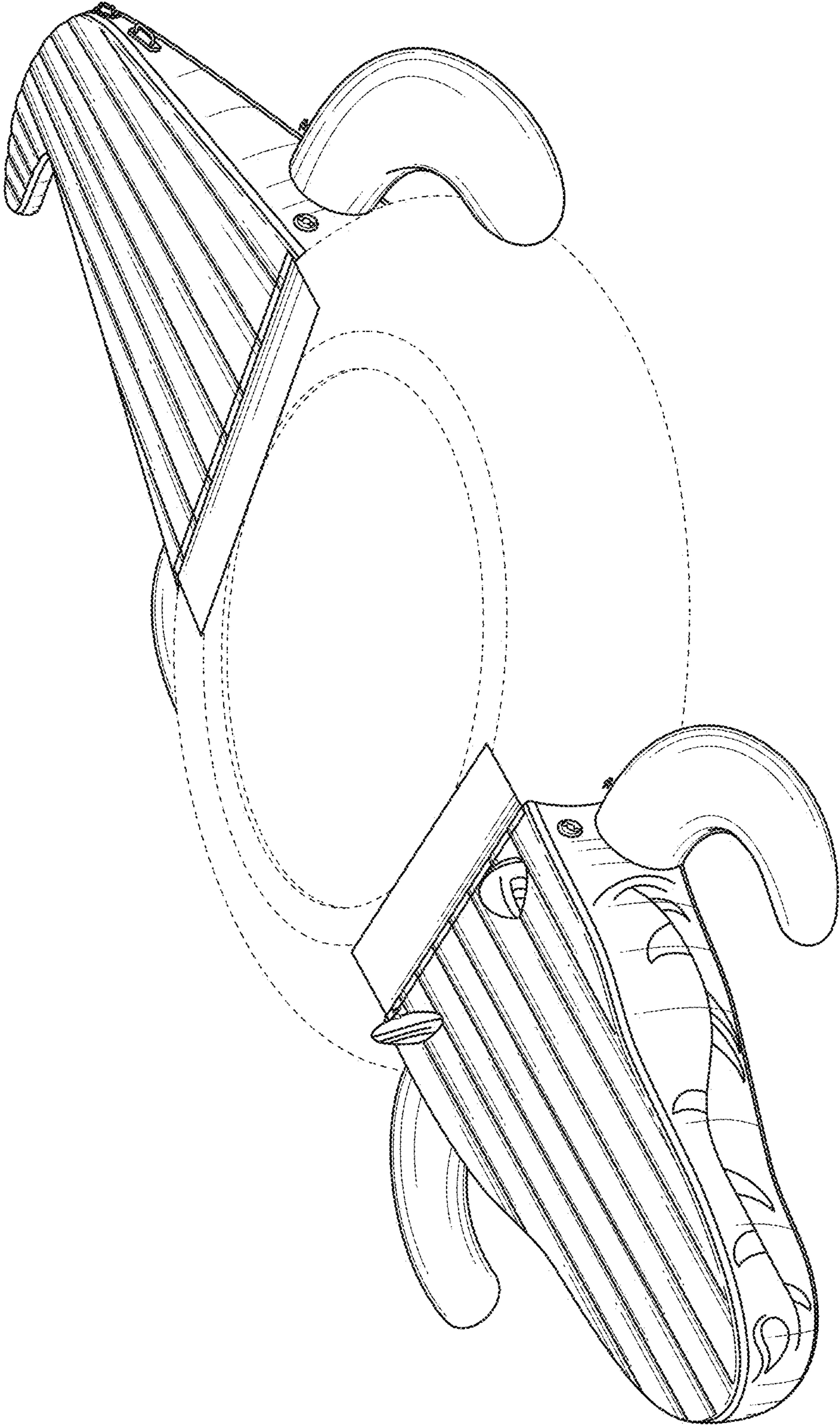


FIG. 1

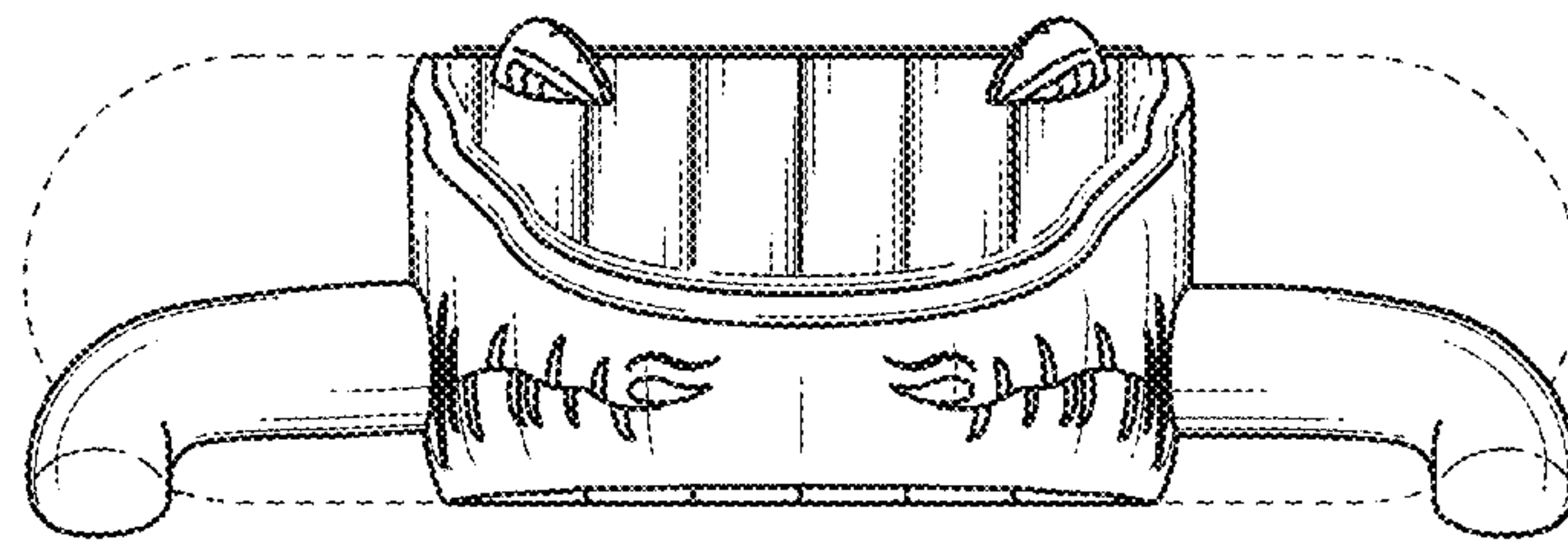


FIG. 2

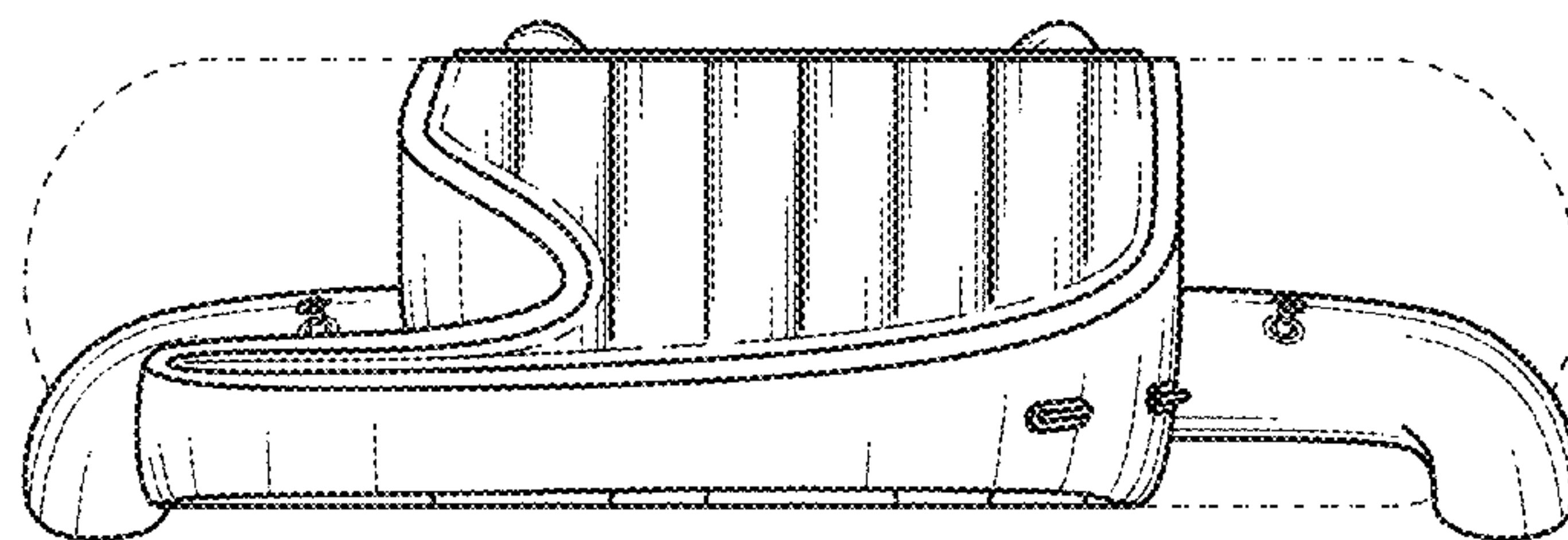


FIG. 3

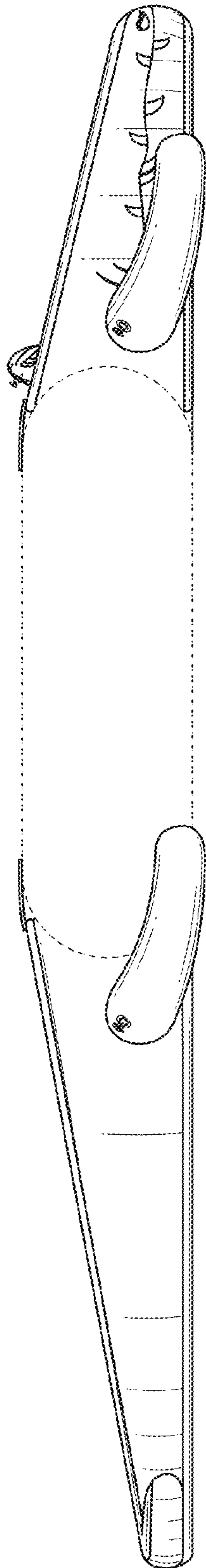


FIG. 4

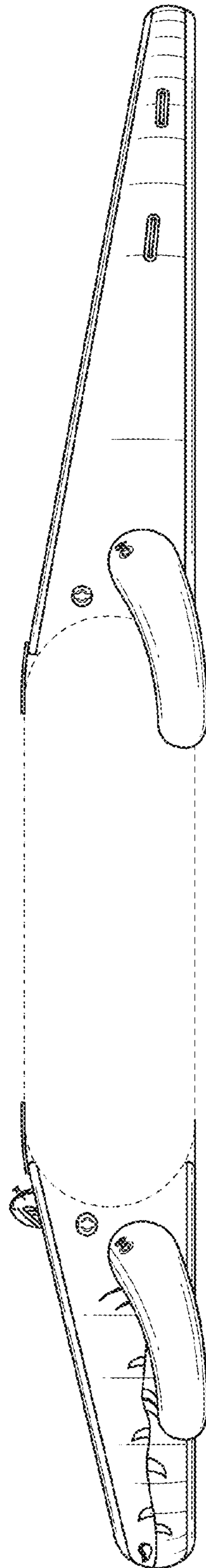


FIG. 5

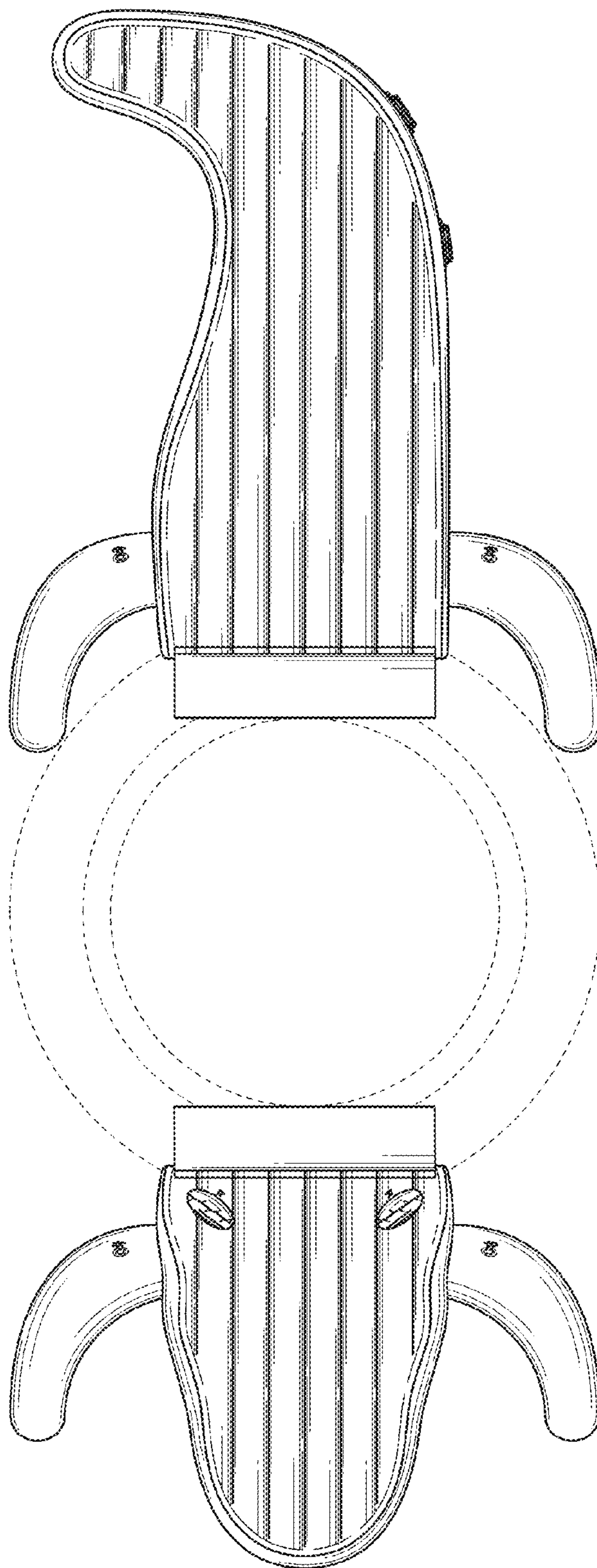


FIG. 6

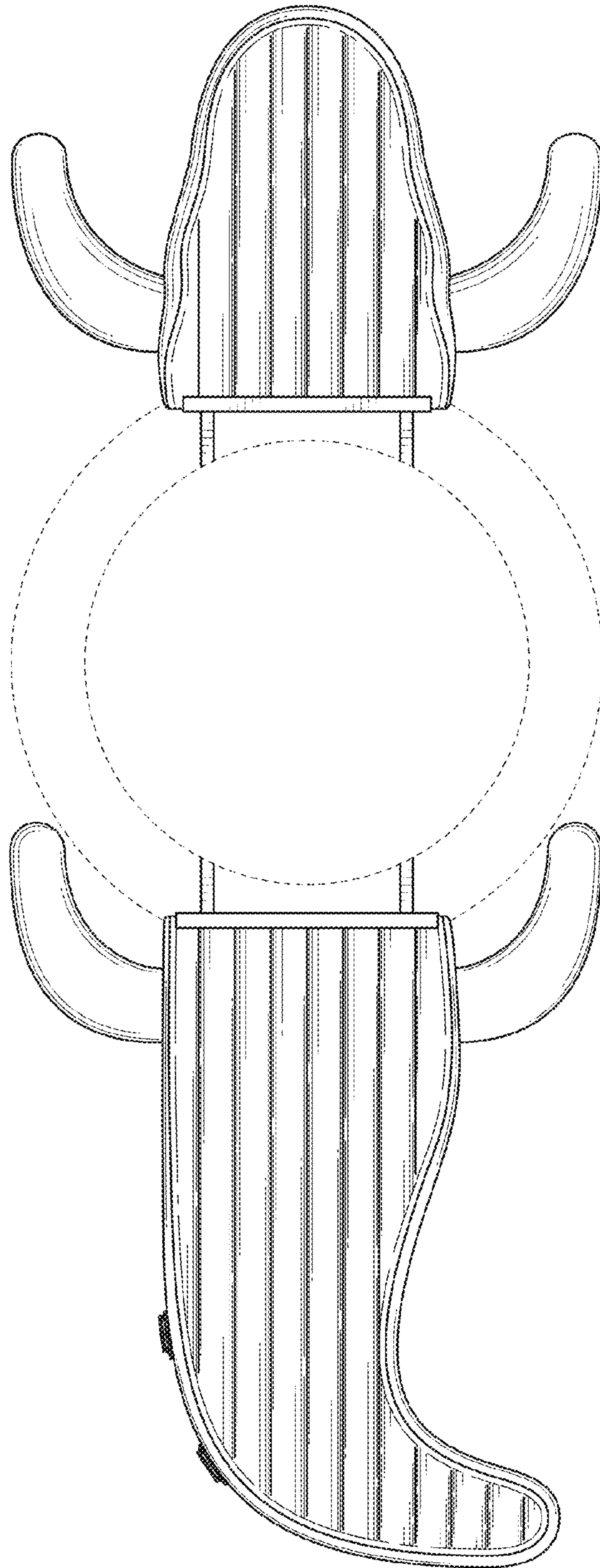


FIG. 7