



US00D741434S

(12) **United States Design Patent**
Phillips

(10) **Patent No.:** **US D741,434 S**
(45) **Date of Patent:** **** Oct. 20, 2015**

- (54) **PERSONAL FLOAT DEVICE**
- (71) Applicant: **Lydia Phillips**, Atlanta, GA (US)
- (72) Inventor: **Lydia Phillips**, Atlanta, GA (US)
- (**) Term: **14 Years**
- (21) Appl. No.: **29/508,508**
- (22) Filed: **Nov. 7, 2014**
- (51) **LOC (10) Cl.** **29-02**
- (52) **U.S. Cl.**
USPC **D21/805**
- (58) **Field of Classification Search**
USPC D21/804–807; D29/100, 101.1, 101, 4;
2/456, 458, 467, 463; 441/88, 89, 106,
441/108, 111, 114–117
CPC B63C 9/115
See application file for complete search history.

5,833,505 A	11/1998	Huang	
6,062,929 A *	5/2000	Hallstrom	441/106
6,066,017 A *	5/2000	Max et al.	441/98
6,089,936 A *	7/2000	Hoffman	441/117
6,364,729 B1 *	4/2002	Khanamirian	441/115
6,447,353 B1 *	9/2002	Henry	441/106
6,461,204 B1	10/2002	Takura et al.	
9,067,657 B2 *	6/2015	Hsu	1/1
2012/0282832 A1 *	11/2012	Hansbro	441/89
2014/0087611 A1 *	3/2014	Hsu	441/115

* cited by examiner

Primary Examiner — Zenia Bennett

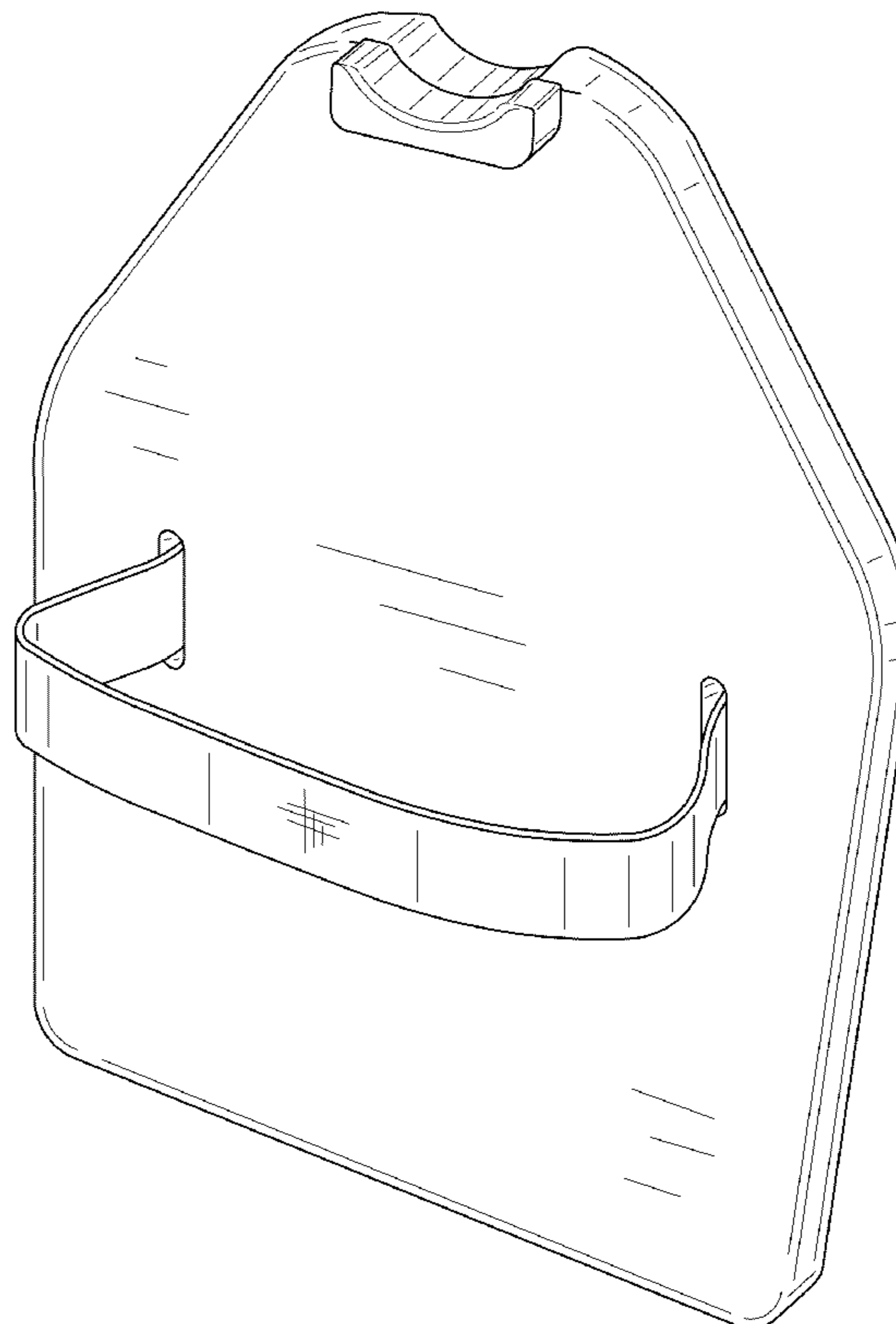
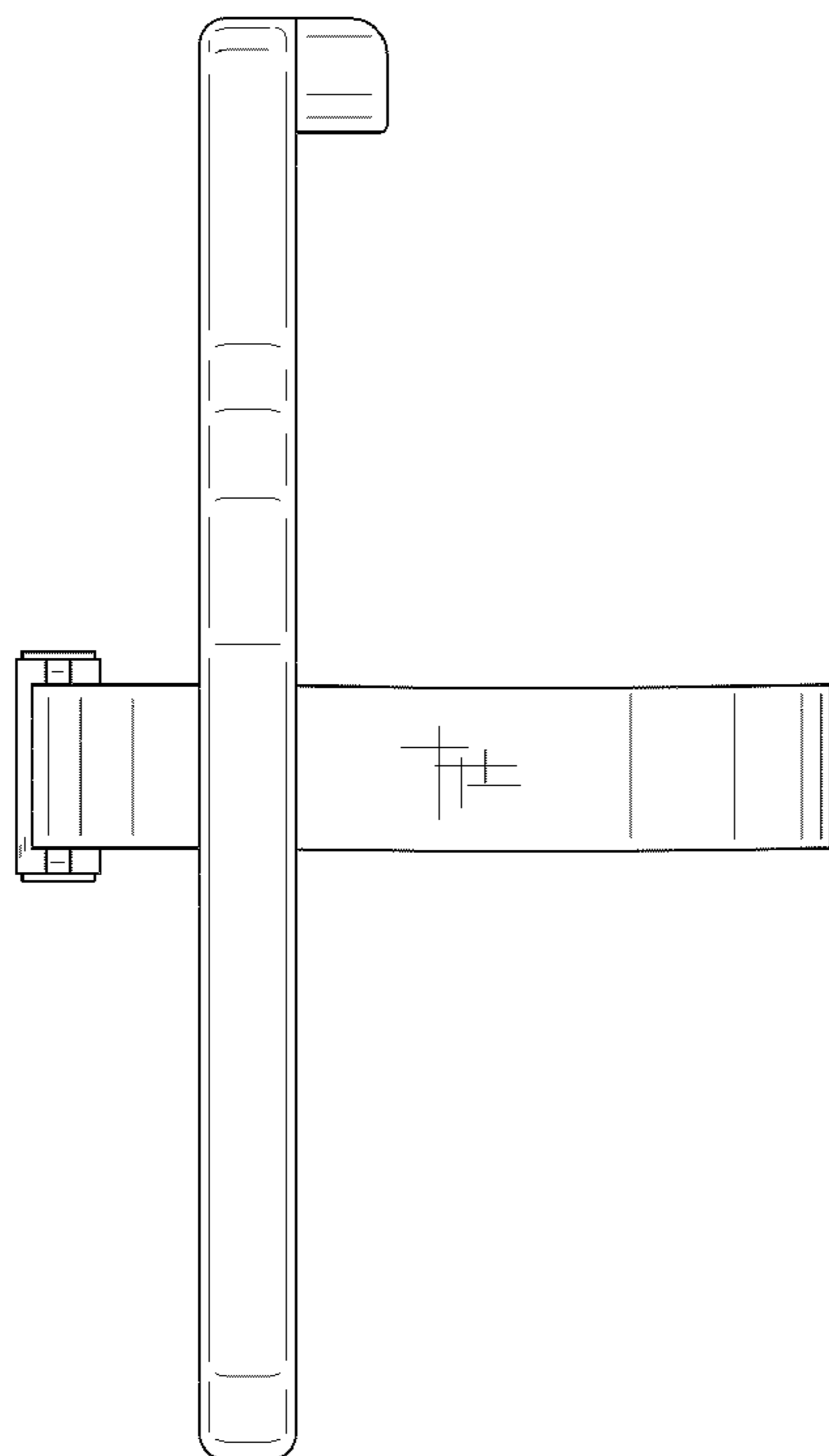
(57) **CLAIM**
The ornamental design for a personal float device, as shown and described.

DESCRIPTION

FIG. 1 is a back view of a personal float device showing my new design;
FIG. 2 is a front view of the personal float device;
FIG. 3 is a left side view of the personal float device, a right side view being a mirror image thereof;
FIG. 4 is a top view of the personal float device;
FIG. 5 is a bottom view of the personal float device; and,
FIG. 6 is a top back side perspective view of the personal float device.

1 Claim, 5 Drawing Sheets

- (56) **References Cited**
U.S. PATENT DOCUMENTS
3,049,735 A 8/1962 Baker
3,183,530 A 5/1965 Girden
D256,116 S 7/1980 Hunt
5,000,710 A 3/1991 Berdortha et al.
5,385,521 A 1/1995 Weissbuch
5,785,568 A * 7/1998 Lake 441/127



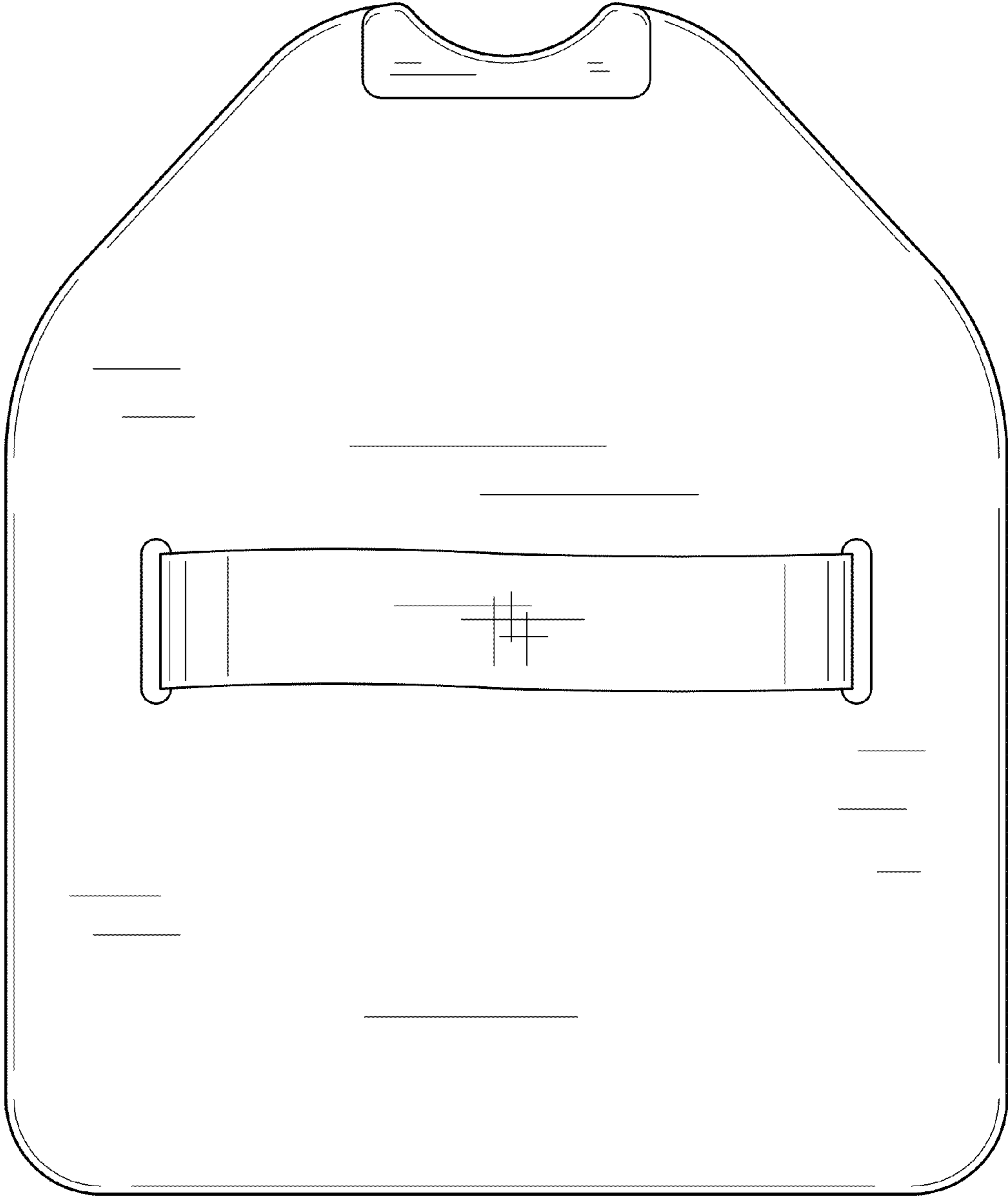


FIG. 1

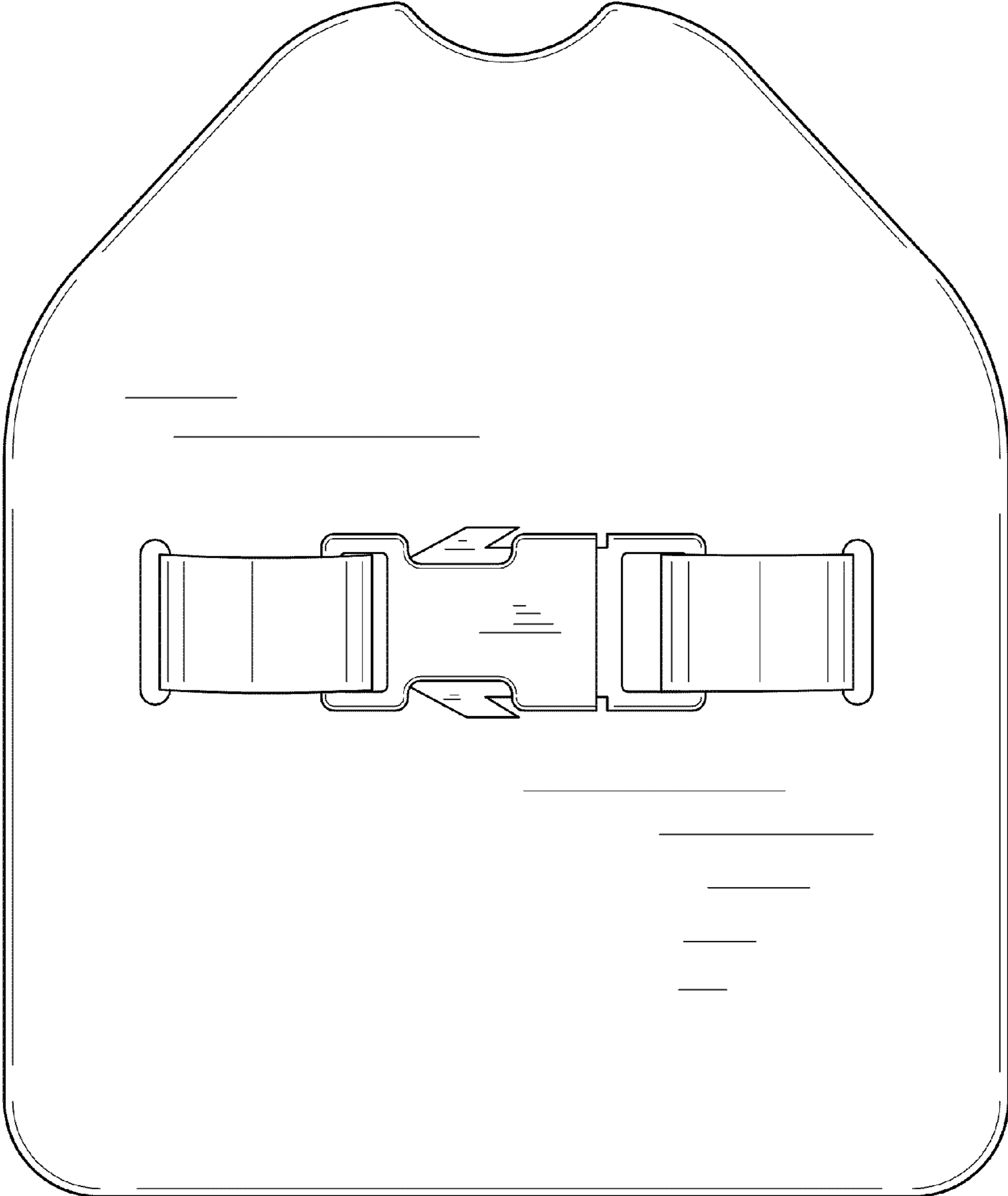


FIG. 2

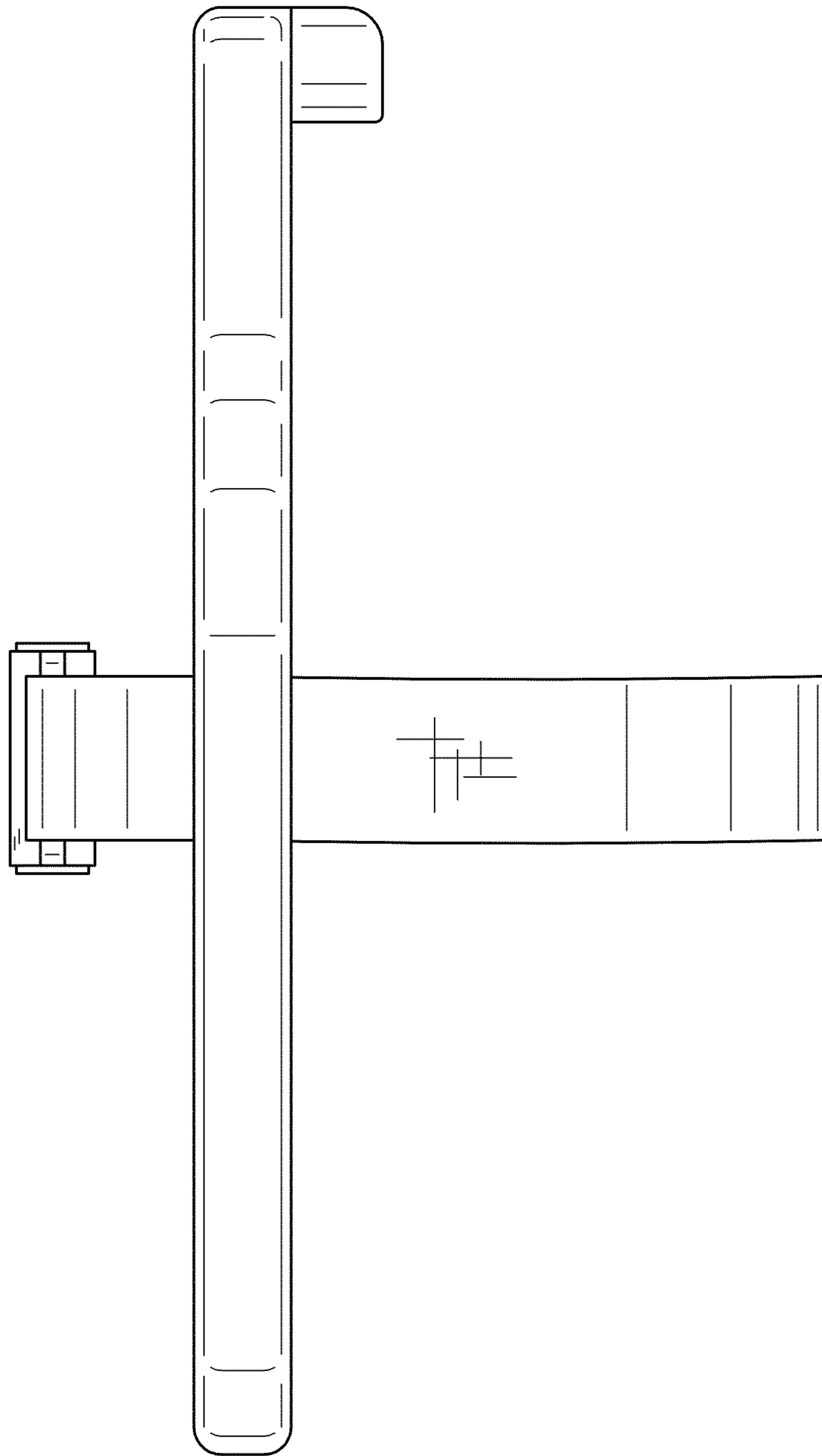


FIG. 3

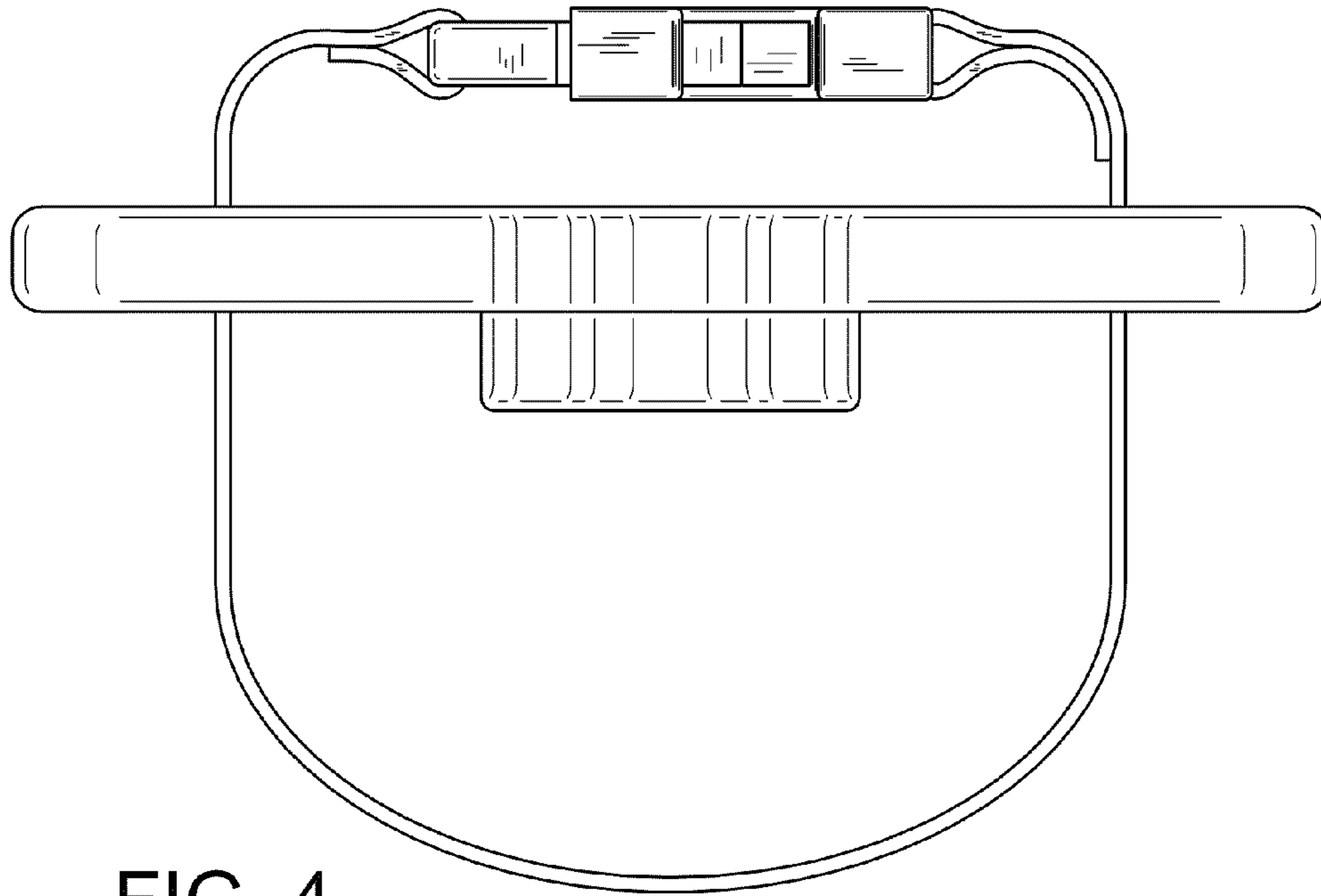


FIG. 4

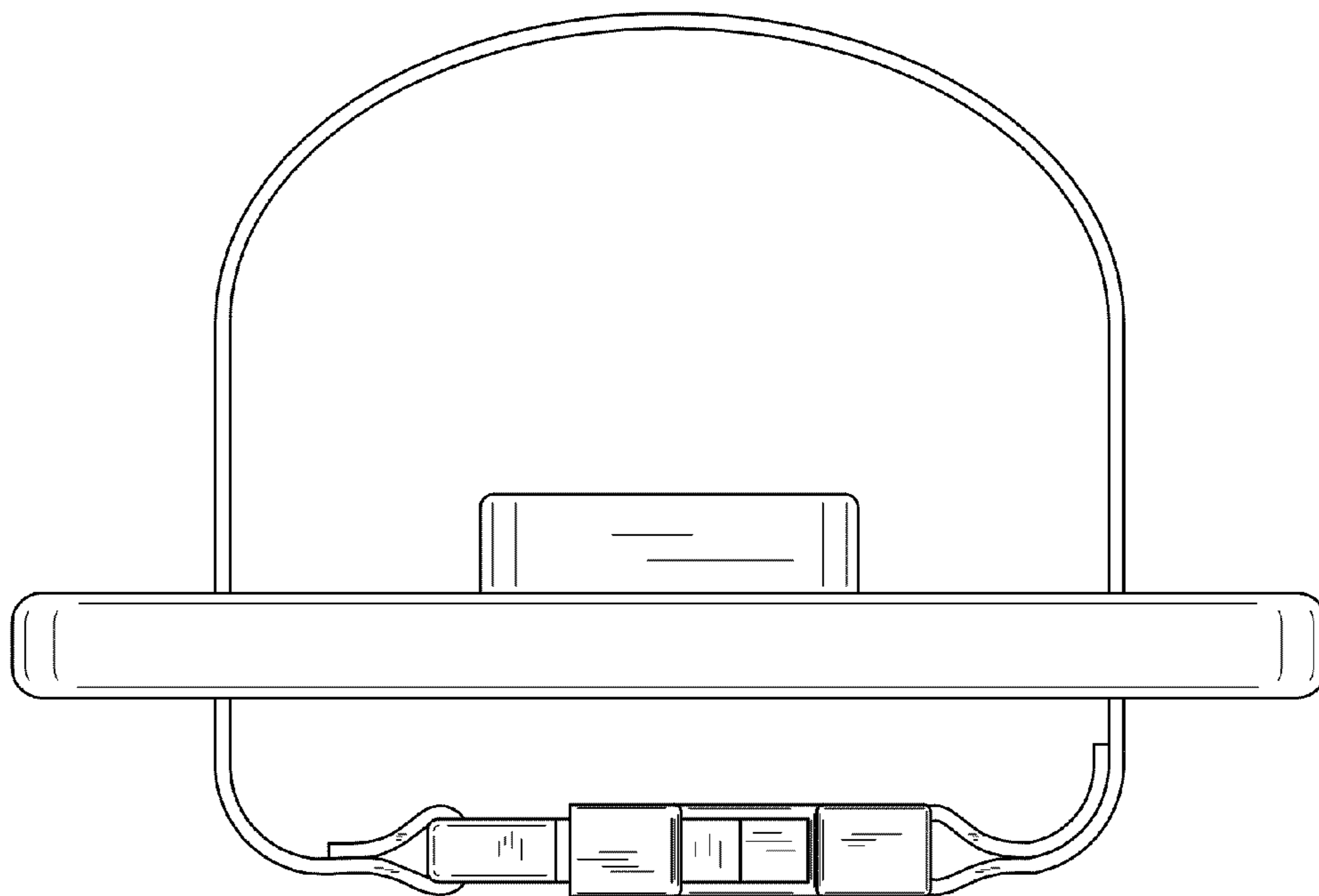


FIG. 5

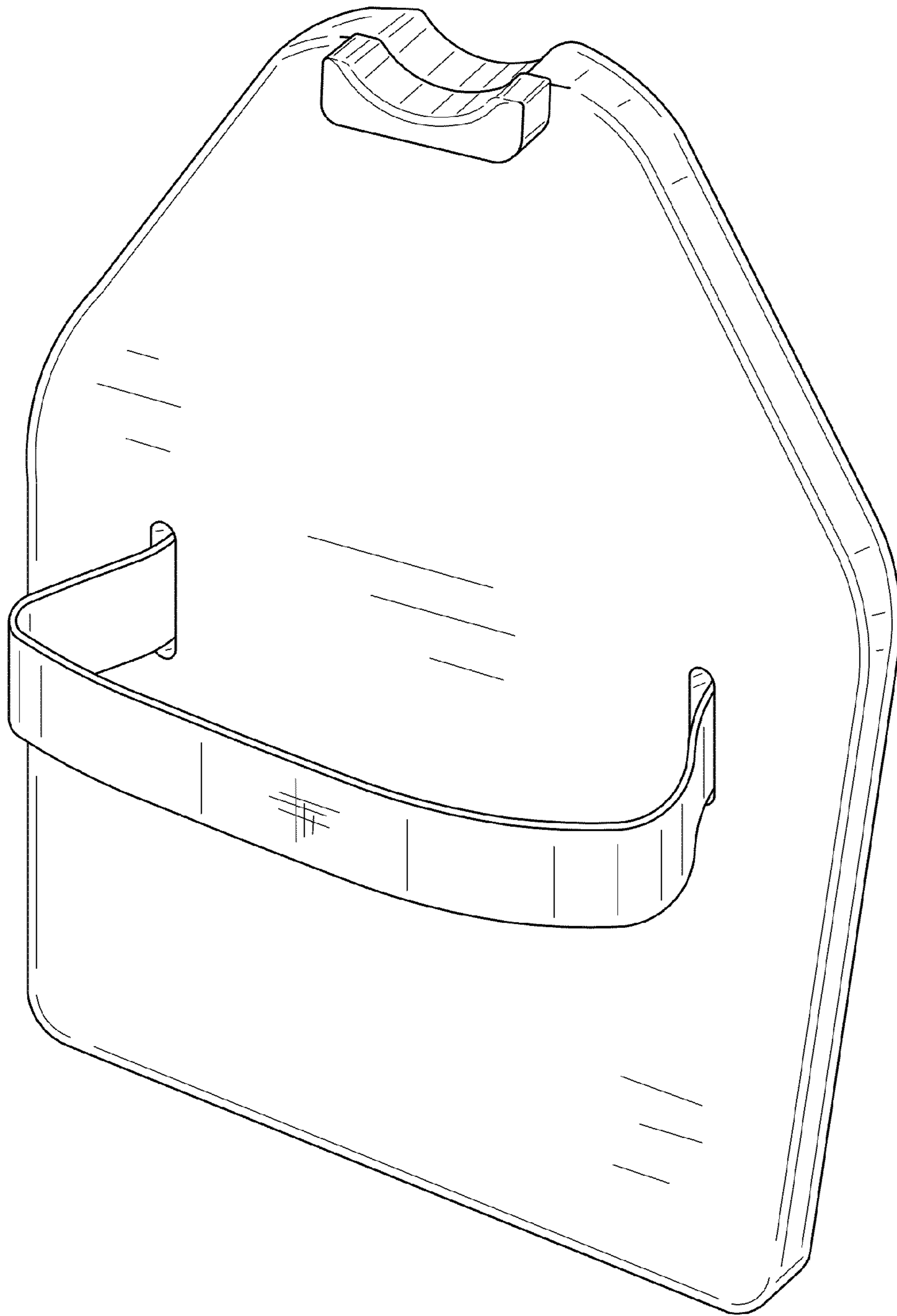


FIG. 6