



US00D741433S

(12) **United States Design Patent**
Auld et al.

(10) **Patent No.:** **US D741,433 S**
(45) **Date of Patent:** **** Oct. 20, 2015**

(54) **TENNIS SWING TRAINER WITH A BUNGEE**

(71) Applicants: **Brenn Auld**, Corona, CA (US); **Daren Auld**, Corona, CA (US)

(72) Inventors: **Brenn Auld**, Corona, CA (US); **Daren Auld**, Corona, CA (US)

(**) Term: **14 Years**

(21) Appl. No.: **29/509,492**

(22) Filed: **Nov. 18, 2014**

(51) **LOC (10) Cl.** **21-02**

(52) **U.S. Cl.**
USPC **D21/799.1**

(58) **Field of Classification Search**
USPC D21/719, 722, 723, 725, 729, 780, 791,
D21/799.1, 799.2, 662, 672, 678-683, 692,
D21/693, 694, 698, 753, 756
CPC A63B 69/00; A63B 69/0002; A63B
69/0015; A63B 69/0079; A63B 69/0086;
A63B 69/0088; A63B 69/36; A63B 69/3655;
A63B 69/38; A63B 2069/0004; A63B
2069/0008; A63B 2069/0082; A63B
2243/0004; A63B 2243/0008; A63B
2243/0012; A63B 2243/0016; A63B
2243/0075; A63B 2243/0079; A63B
2243/0083; A63B 2243/0091; A63B 21/0442;
A63B 21/0552; A63B 21/0555; A63B 21/0557
See application file for complete search history.

5,885,175	A *	3/1999	Marquez	473/464
5,947,835	A *	9/1999	Fenton, Jr.	473/229
D431,061	S	9/2000	Solis		
D458,323	S *	6/2002	Pullaro	D21/729
6,413,196	B1	7/2002	Crowson		
D477,645	S *	7/2003	Vito	D21/756
6,592,474	B1	7/2003	Halsworth		
6,648,780	B1	11/2003	Boldin		
6,837,808	B1 *	1/2005	Hatch	473/424
6,949,035	B1 *	9/2005	Halsworth	473/453
D576,232	S *	9/2008	Rasmussen et al.	D21/694
D606,136	S	12/2009	Gamboa		
7,762,913	B1	7/2010	Hagen et al.		
8,251,877	B2 *	8/2012	Rasmussen et al.	482/100
8,808,116	B2 *	8/2014	Dodson	473/459
2004/0002408	A1 *	1/2004	Rigas	482/82
2004/0229736	A1	11/2004	Dise et al.		
2005/0227833	A1 *	10/2005	Wilkinson	482/124
2011/0130255	A1 *	6/2011	Charlton	482/129
2012/0202611	A1	8/2012	Warren		
2012/0264550	A1 *	10/2012	Shwartzman	473/463
2013/0274074	A1 *	10/2013	Ghandour	482/93
2014/0155232	A1 *	6/2014	Wolan	482/123
2014/0256475	A1 *	9/2014	Hymmer	473/429
2014/0342883	A1 *	11/2014	Joost et al.	482/129

* cited by examiner

Primary Examiner — Catherine Tuttle

(74) *Attorney, Agent, or Firm* — Kirk A. Buhler; Buhler & Associates

(57) **CLAIM**

The ornamental design for a tennis swing trainer with a bungee, as shown and described.

DESCRIPTION

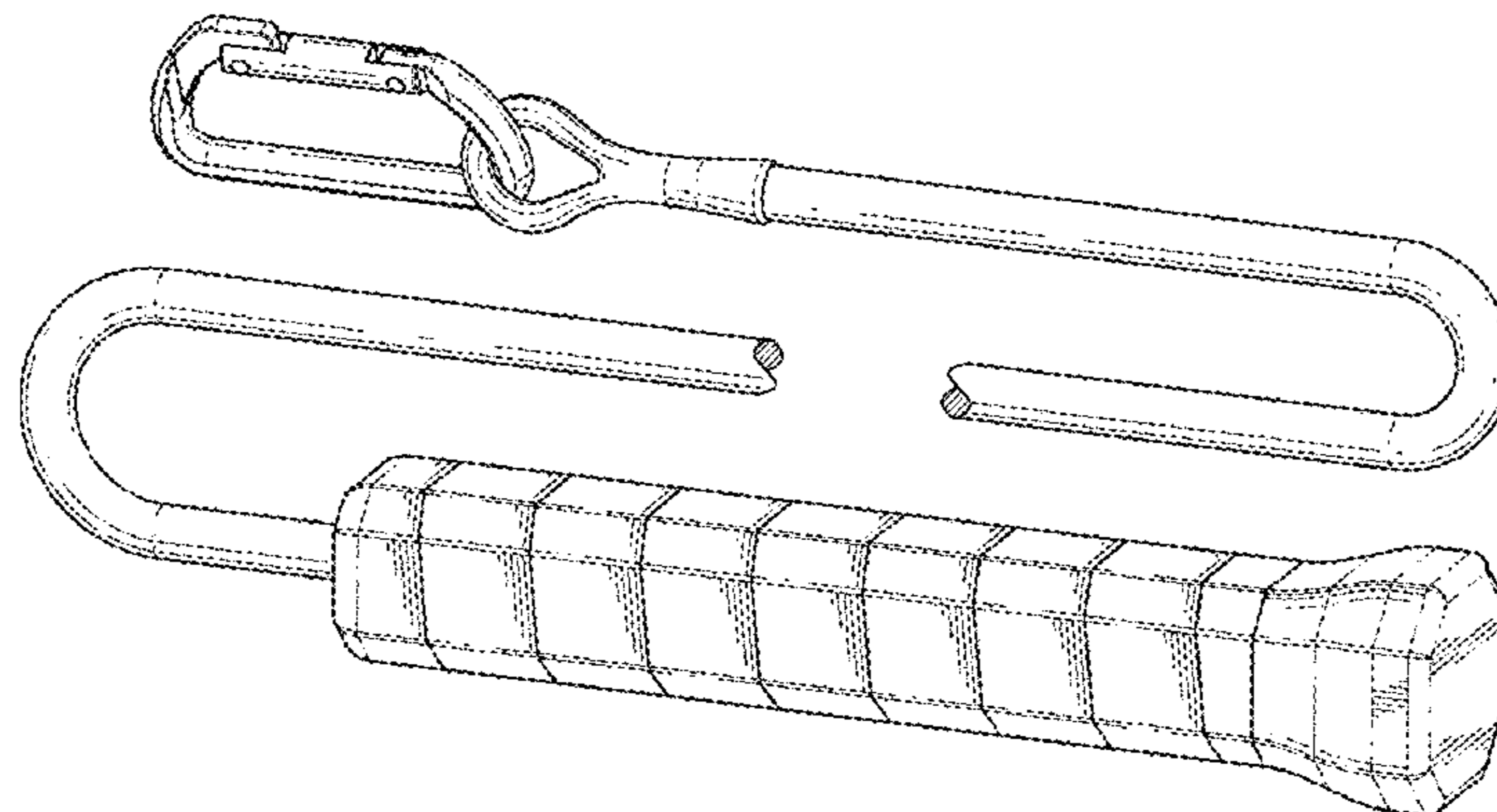
FIG. 1 is a perspective view of the tennis swing trainer with a bungee showing our new design;
FIG. 2 is a front view thereof;
FIG. 3 is a rear view thereof;
FIG. 4 is a top view thereof;
FIG. 5 is a bottom view thereof;
FIG. 6 is a right end view thereof; and,
FIG. 7 is a left end view thereof.
The bungee element is shown broken away to indicate indeterminate length.

1 Claim, 4 Drawing Sheets

(56) **References Cited**

U.S. PATENT DOCUMENTS

2,134,451	A	10/1938	Mogren		
2,848,234	A	8/1958	Brandon		
D216,403	S	12/1969	Terry		
3,618,942	A	11/1971	Bates		
3,876,212	A	4/1975	Oppenheimer		
4,243,219	A	1/1981	Price		
4,328,964	A	5/1982	Walls		
4,664,388	A *	5/1987	Huber	473/138
5,156,402	A	10/1992	Hart		
5,544,886	A *	8/1996	VanSkiver	473/143



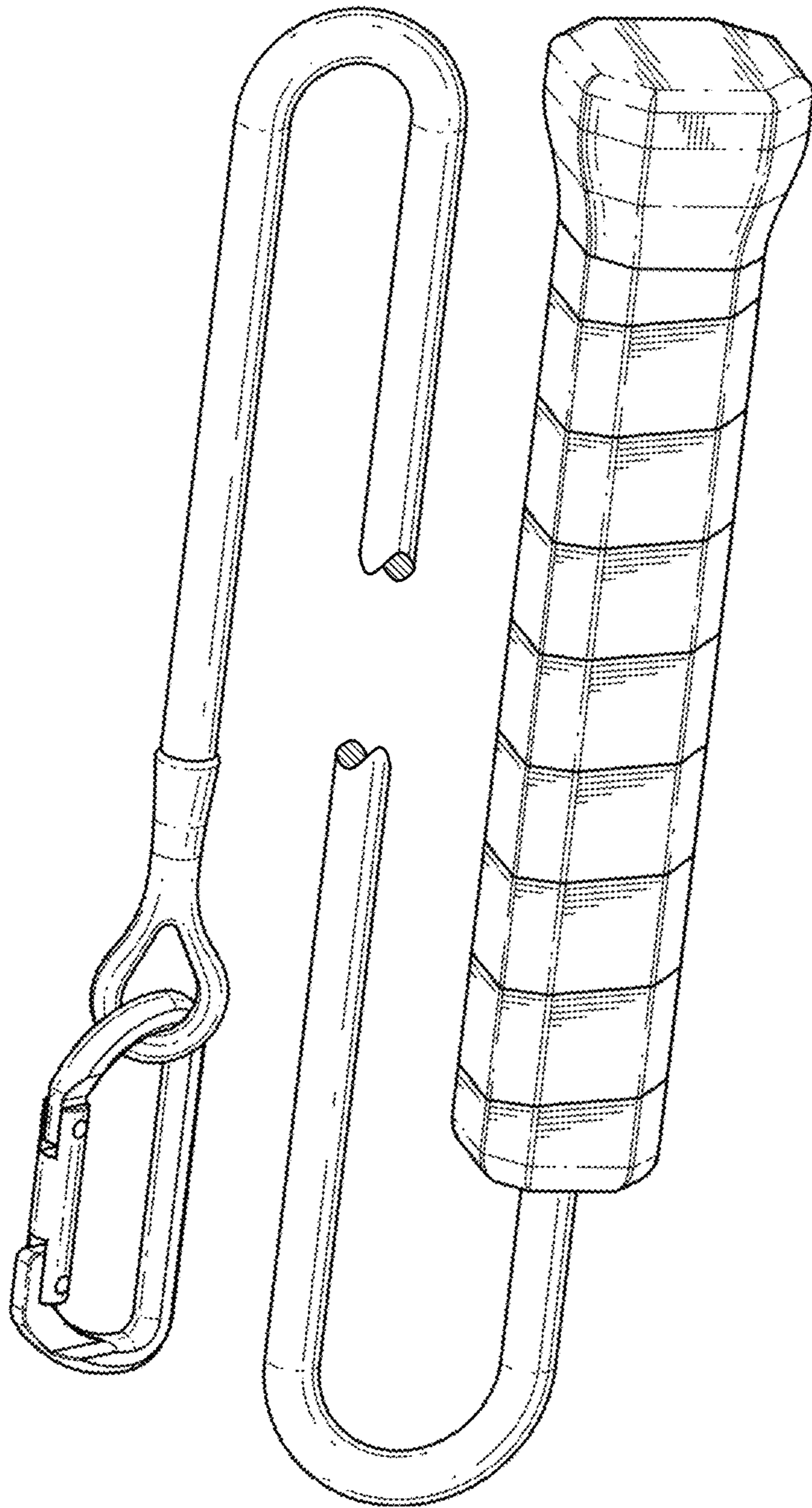


FIG. 1

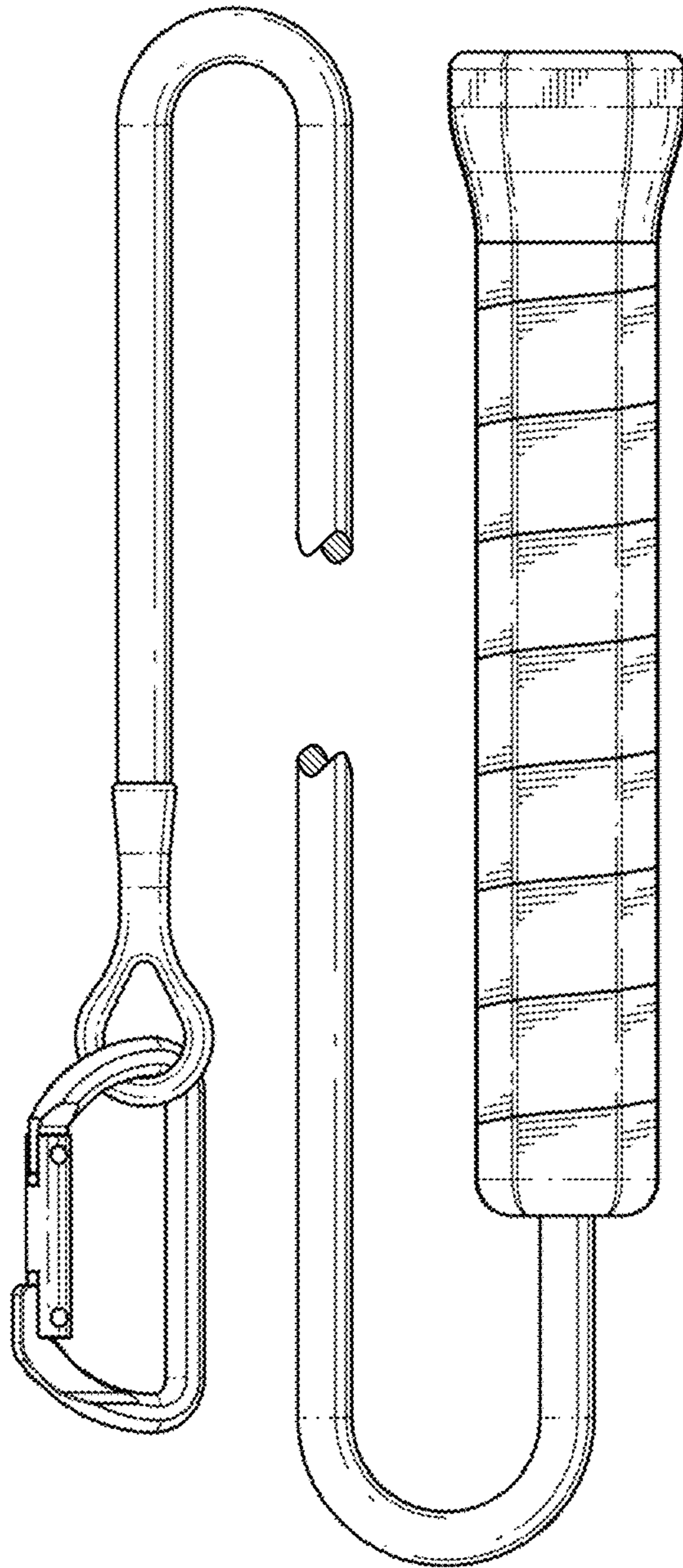


FIG. 2

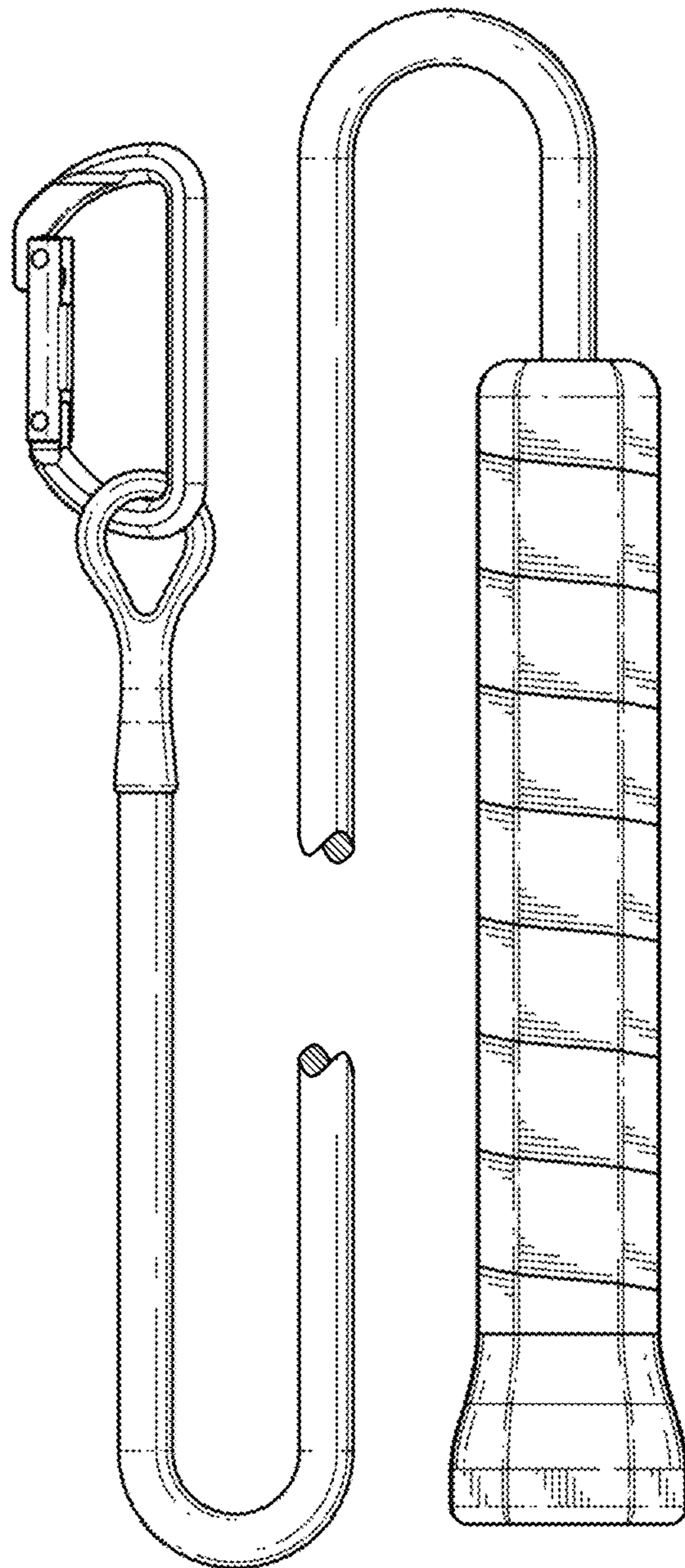


FIG. 3

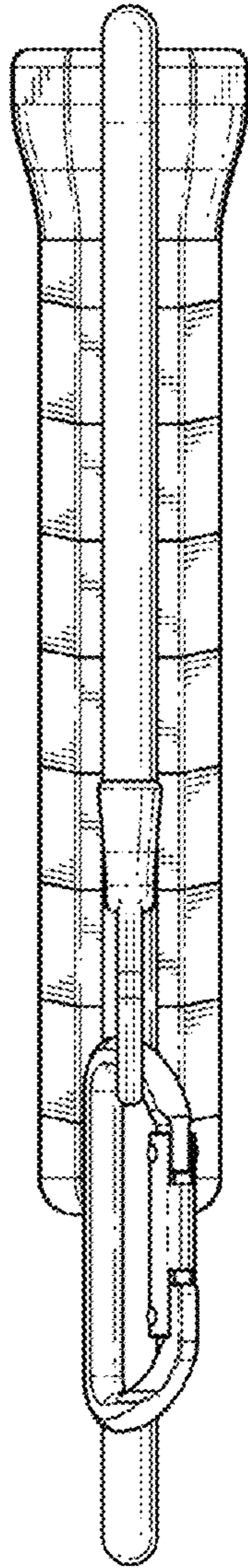


FIG. 4

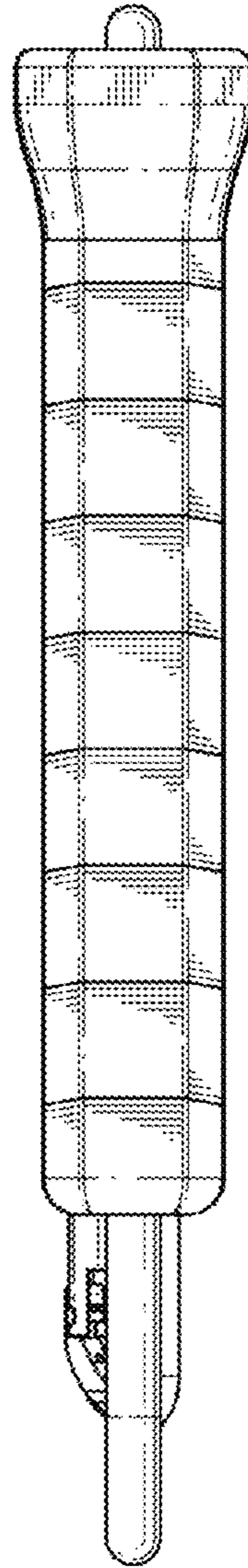


FIG. 5

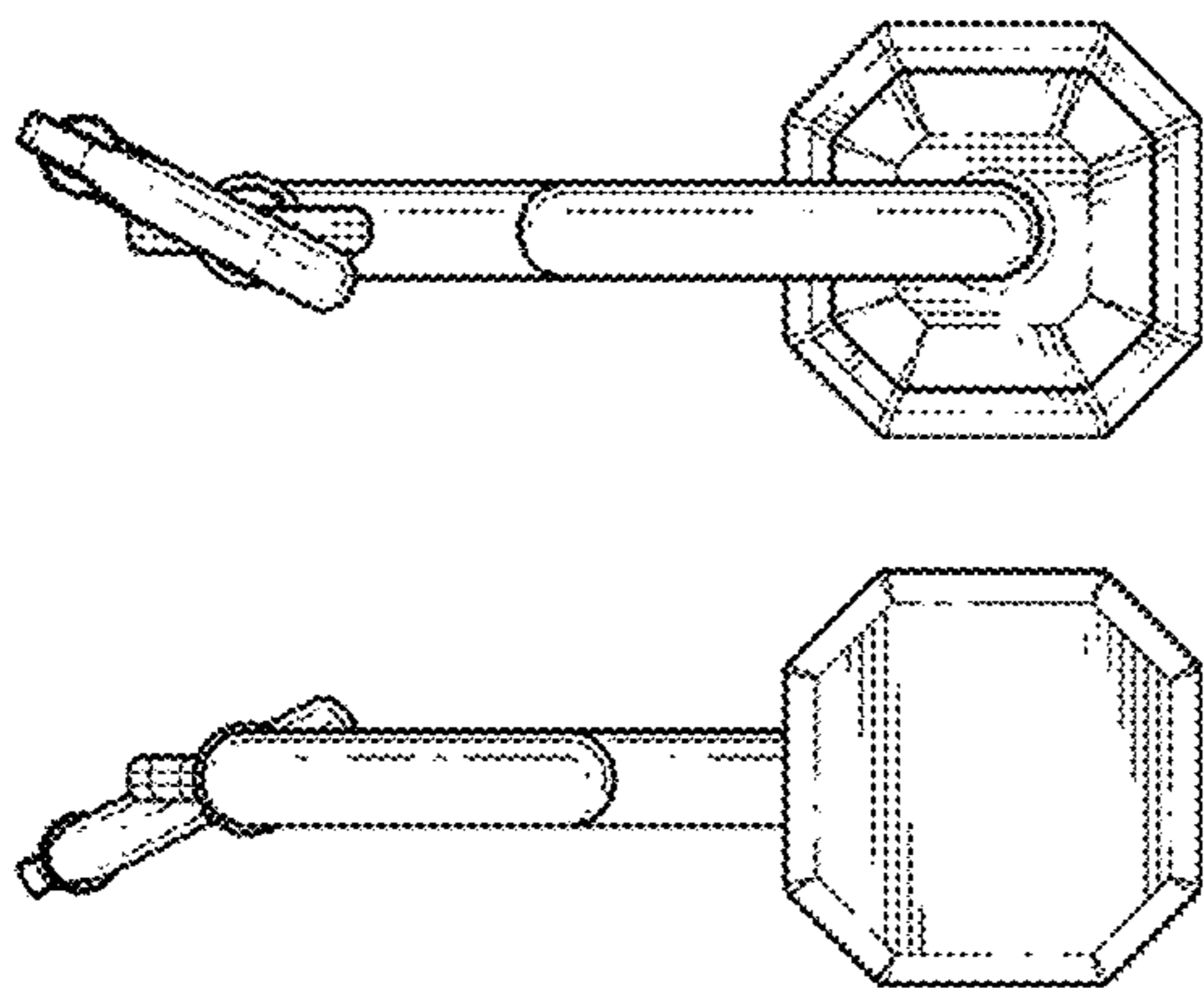


FIG. 6

FIG. 7