



US00D741432S

(12) **United States Design Patent**  
**Svendsen et al.**

(10) **Patent No.:** **US D741,432 S**

(45) **Date of Patent:** **\*\* Oct. 20, 2015**

(54) **FRONT PORTION OF A SKI BINDING**

(71) Applicant: **Rottefella AS**, Klokkarstua (NO)

(72) Inventors: **Øyvar Svendsen**, Oslo (NO); **Even Wøllo**, Nærsnes (NO)

(73) Assignee: **ROTTEFELLA AS** (NO)

(\*\*) Term: **14 Years**

(21) Appl. No.: **29/462,151**

(22) Filed: **Jul. 31, 2013**

(30) **Foreign Application Priority Data**

Feb. 1, 2013 (NO) ..... 20130123

(51) **LOC (10) Cl.** ..... **21-02**

(52) **U.S. Cl.**  
USPC ..... **D21/773**

(58) **Field of Classification Search**  
USPC ..... D21/760, 761, 765, 766, 801, 803;  
441/65-66, 68-69, 72-75, 79; D12/6;  
280/11.3, 11.31, 601-606, 609-610

CPC ..... A63C 5/04  
See application file for complete search history.

(56) **References Cited**

**U.S. PATENT DOCUMENTS**

5,480,175 A \* 1/1996 Astier et al. .... 280/607  
5,746,439 A \* 5/1998 Boehm et al. .... 280/602  
D537,140 S \* 2/2007 Battistoni ..... D21/773  
D624,138 S \* 9/2010 Girard et al. .... D21/773

D626,616 S \* 11/2010 Girard et al. .... D21/773  
D627,027 S \* 11/2010 Girard et al. .... D21/773  
D647,156 S \* 10/2011 Svendsen et al. .... D21/773  
D650,461 S \* 12/2011 Svendsen et al. .... D21/773  
D697,569 S \* 1/2014 Svendsen et al. .... D21/769  
2012/0187643 A1 \* 7/2012 Wollo et al. .... 280/11.31

\* cited by examiner

*Primary Examiner* — Zenia Bennett

(74) *Attorney, Agent, or Firm* — Kolisch Hartwell, P.C.

(57) **CLAIM**

We claim the ornamental design for a front portion of a ski binding, as shown and described.

**DESCRIPTION**

FIG. 1 is a top, front, and left-side perspective view of a front portion of a ski binding according to an embodiment of the present invention.

FIG. 2 is a top plan view of the embodiment of FIG. 1.

FIG. 3 is a left-side elevation view of the embodiment of FIG. 1.

FIG. 4 is a bottom plan view of the embodiment of FIG. 1.

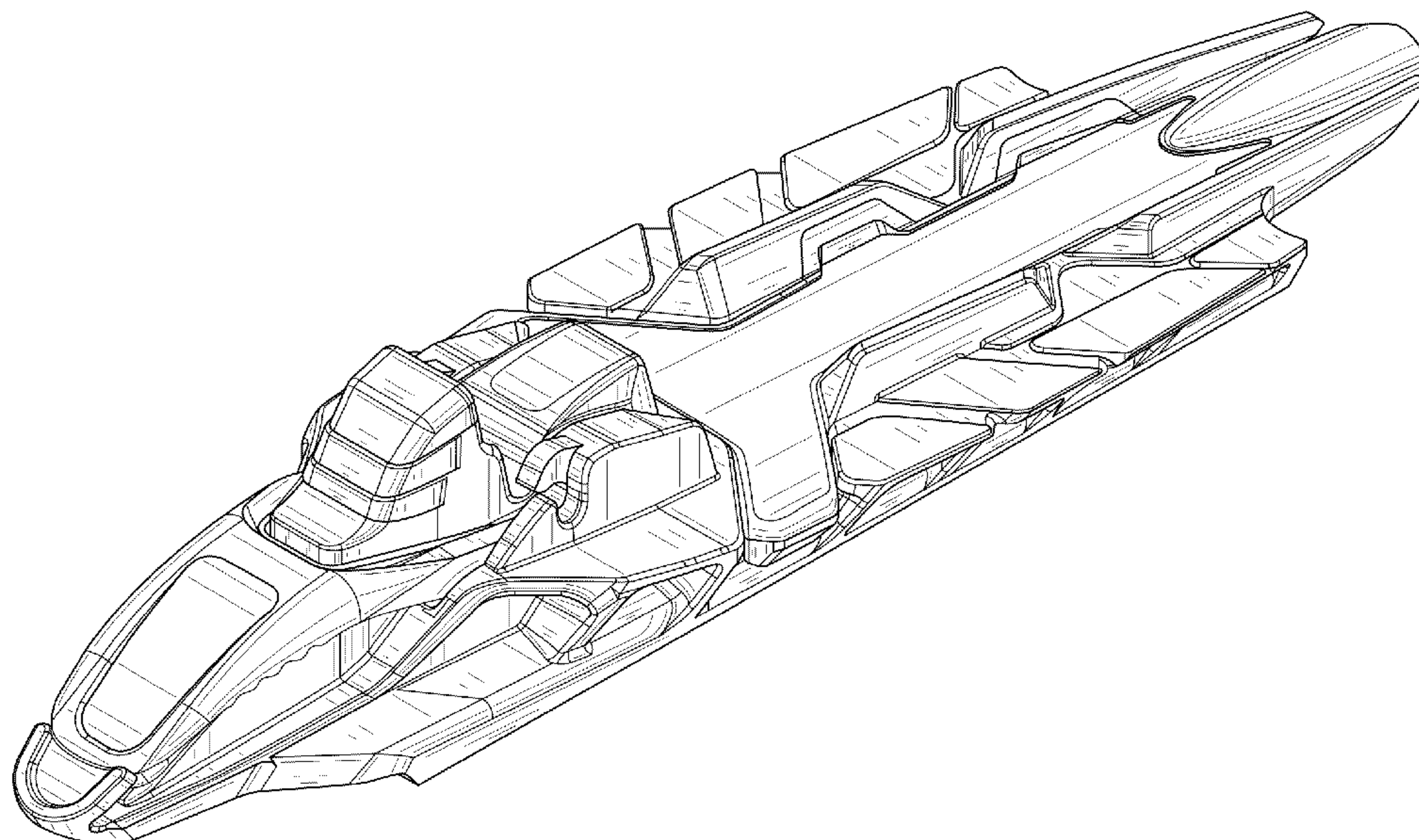
FIG. 5 is a rear elevation view of the embodiment of FIG. 1; and,

FIG. 6 is a front elevation view of the embodiment of FIG. 1. The right side of the design is a mirror image of the left side, so the right-side view has been omitted.

Portions of the front portion of a ski binding that are not shown in the drawing form no part of the claimed design.

The broken lines are for environmental purposes only and form no part of the claimed design.

**1 Claim, 2 Drawing Sheets**



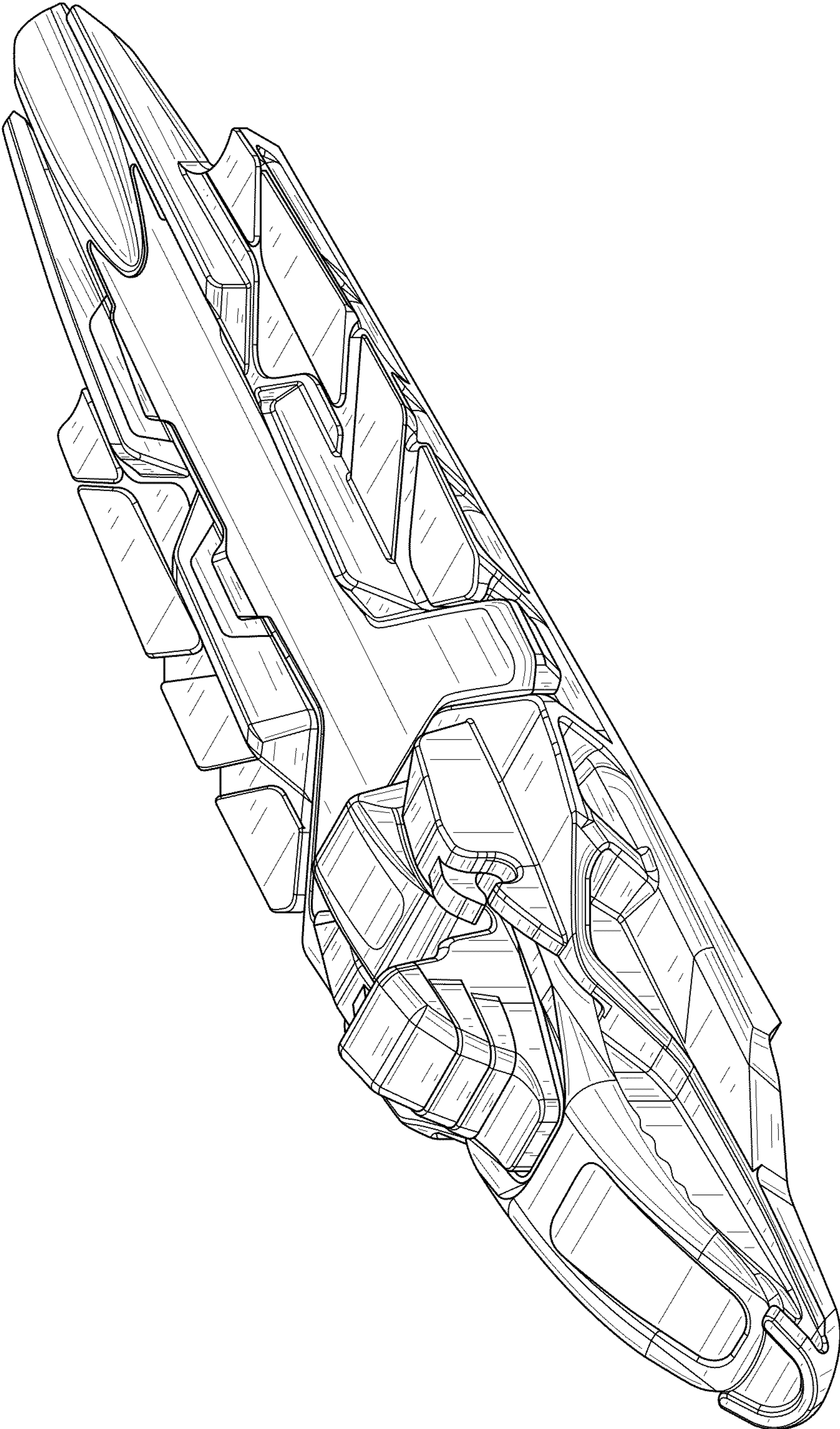


FIG. 1



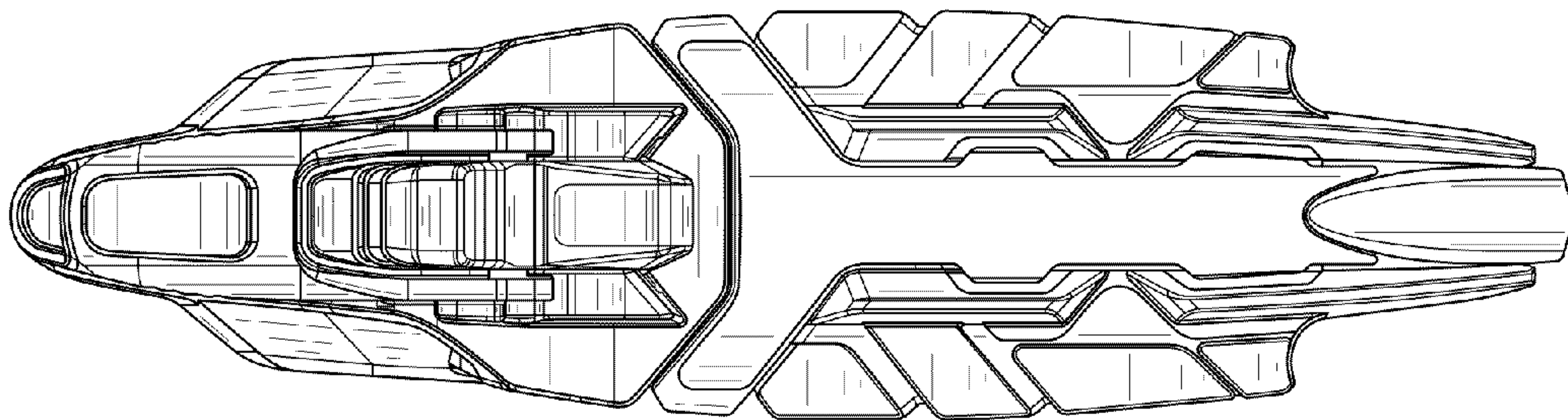


FIG. 2

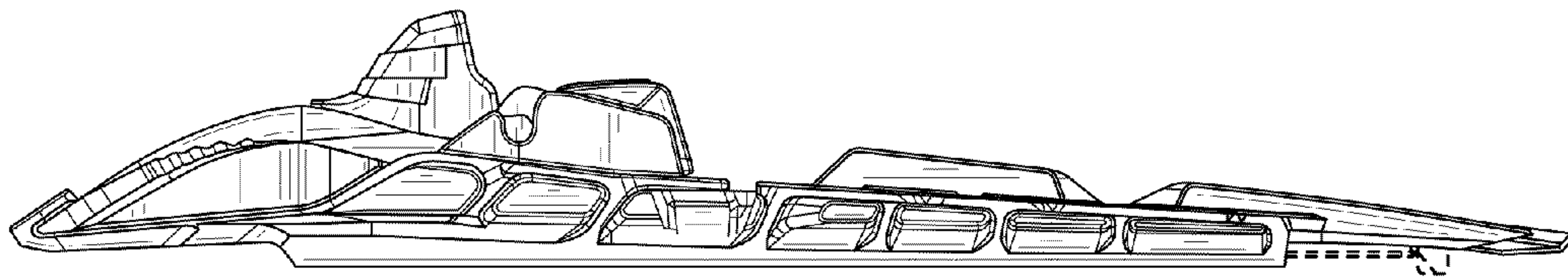


FIG. 3

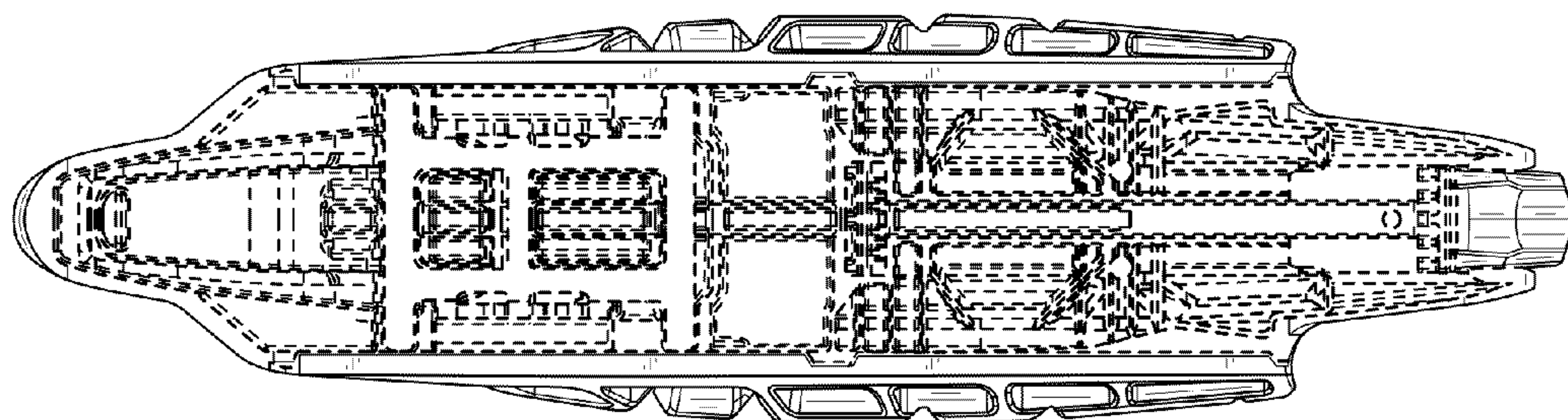


FIG. 4

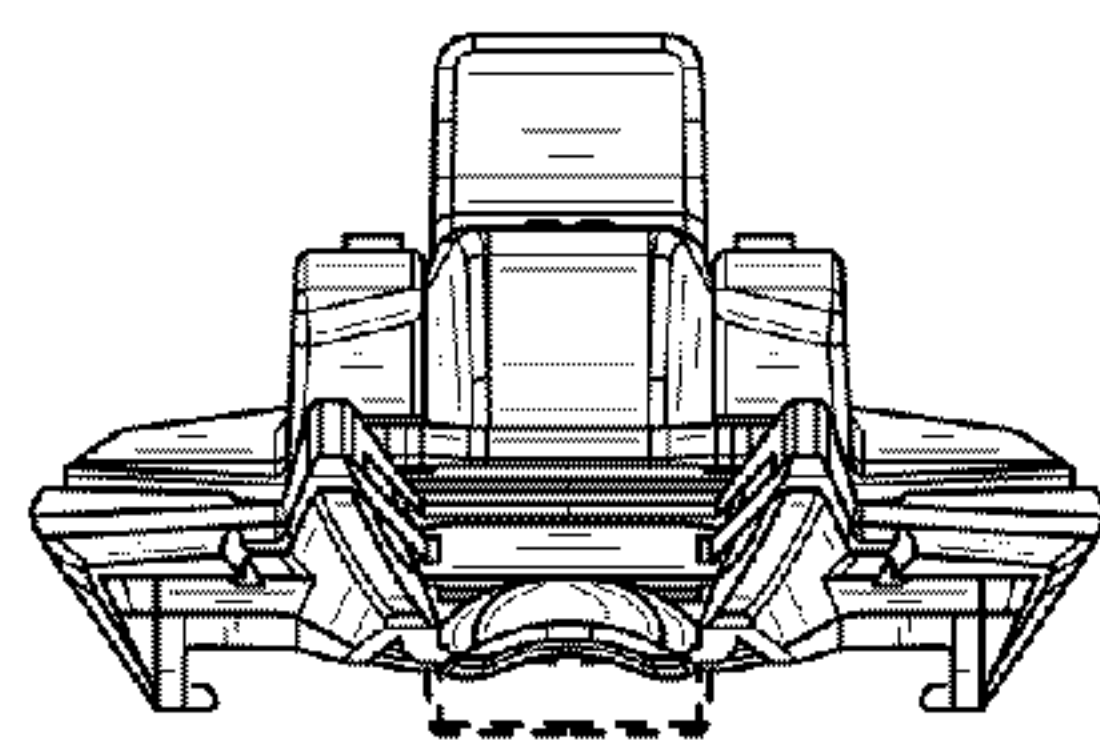


FIG. 5

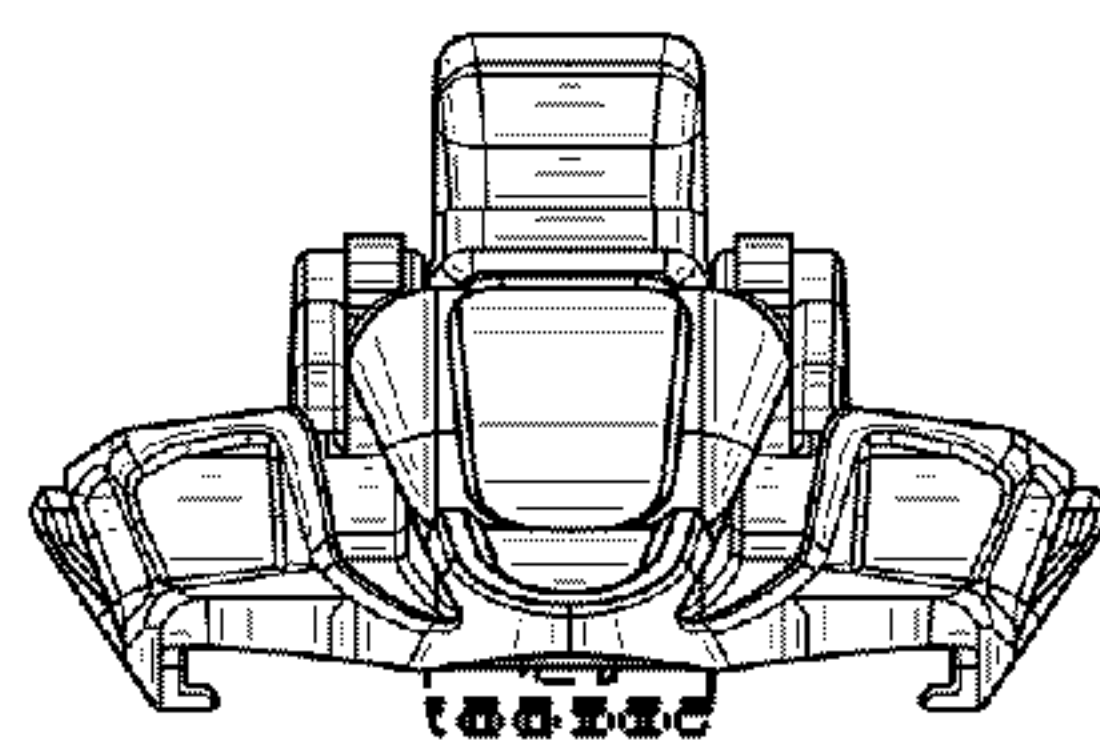


FIG. 6