



US00D741429S

(12) **United States Design Patent**
Asatsuma

(10) **Patent No.:** **US D741,429 S**

(45) **Date of Patent:** **** Oct. 20, 2015**

- (54) **GOLF CLUB HEAD**
- (71) Applicant: **Dunlop Sports Company Limited,**
Kobe (JP)
- (72) Inventor: **Hajime Asatsuma,** Kobe (JP)
- (73) Assignee: **DUNLOP SPORTS CO. LTD.,**
Kobe-shi (JP)
- (**) Term: **14 Years**
- (21) Appl. No.: **29/496,377**
- (22) Filed: **Jul. 11, 2014**
- (51) **LOC (10) Cl.** **21-02**
- (52) **U.S. Cl.**
USPC **D21/759**
- (58) **Field of Classification Search**
USPC D21/747-751, 759
CPC A63B 53/00; A63B 53/04; A63B 53/047;
A63B 53/0475
See application file for complete search history.

- D583,433 S * 12/2008 Oldknow et al. D21/759
- D639,884 S * 6/2011 Breier et al. D21/759
- D658,250 S * 4/2012 Dolezel et al. D21/759
- D658,732 S * 5/2012 Dolezel et al. D21/759
- D660,390 S * 5/2012 Llewellyn D21/759

* cited by examiner

Primary Examiner — Mitchell Siegel
(74) *Attorney, Agent, or Firm* — Oliff PLC

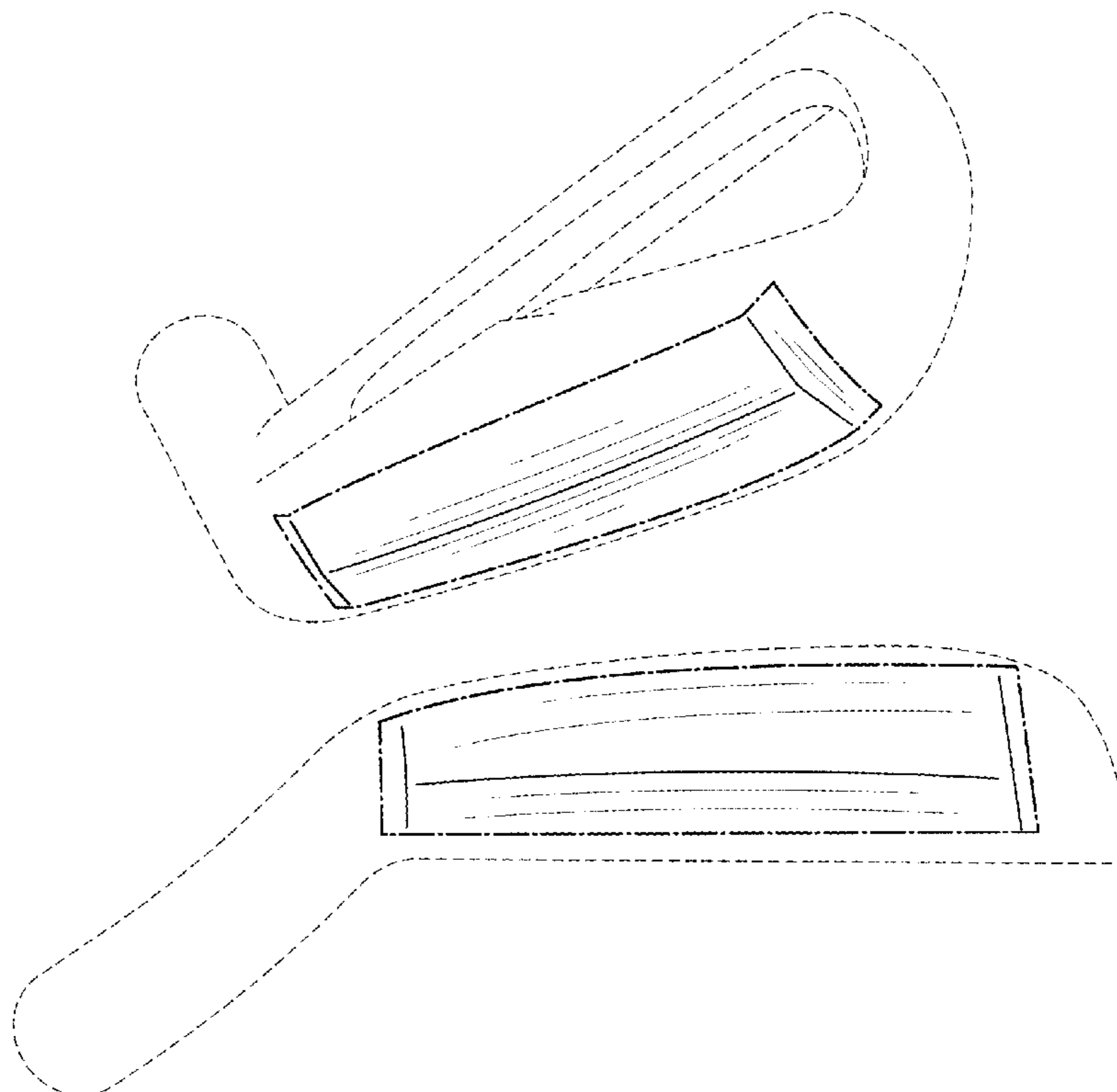
(57) **CLAIM**
The ornamental design for golf club head, as shown and described.

DESCRIPTION

FIG. 1 is a bottom perspective view embodying the inventive design;
FIG. 2 is a front elevational view thereof;
FIG. 3 is a rear elevational view thereof;
FIG. 4 is a right-side elevational view thereof;
FIG. 5 is a left-side elevational view thereof;
FIG. 6 is top plan view thereof;
FIG. 7 is a bottom plan view thereof;
FIG. 8 is a cross sectional view taken on line 8-8 of FIG. 2; and,
FIG. 9 is a cross sectional view taken on line 9-9 of FIG. 3.
The broken lines illustrate environmental structure that form no part of the claimed design. The dot-dash chain lines indicate a boundary of the claimed subject matter and form no part of the claimed design.

- (56) **References Cited**
U.S. PATENT DOCUMENTS
D404,783 S * 1/1999 Best et al. D21/753
D414,535 S * 9/1999 Mertens D21/747
D569,932 S * 5/2008 Peterman D21/748
D574,914 S * 8/2008 Oldknow et al. D21/759
D577,399 S * 9/2008 Oldknow et al. D21/759

1 Claim, 9 Drawing Sheets



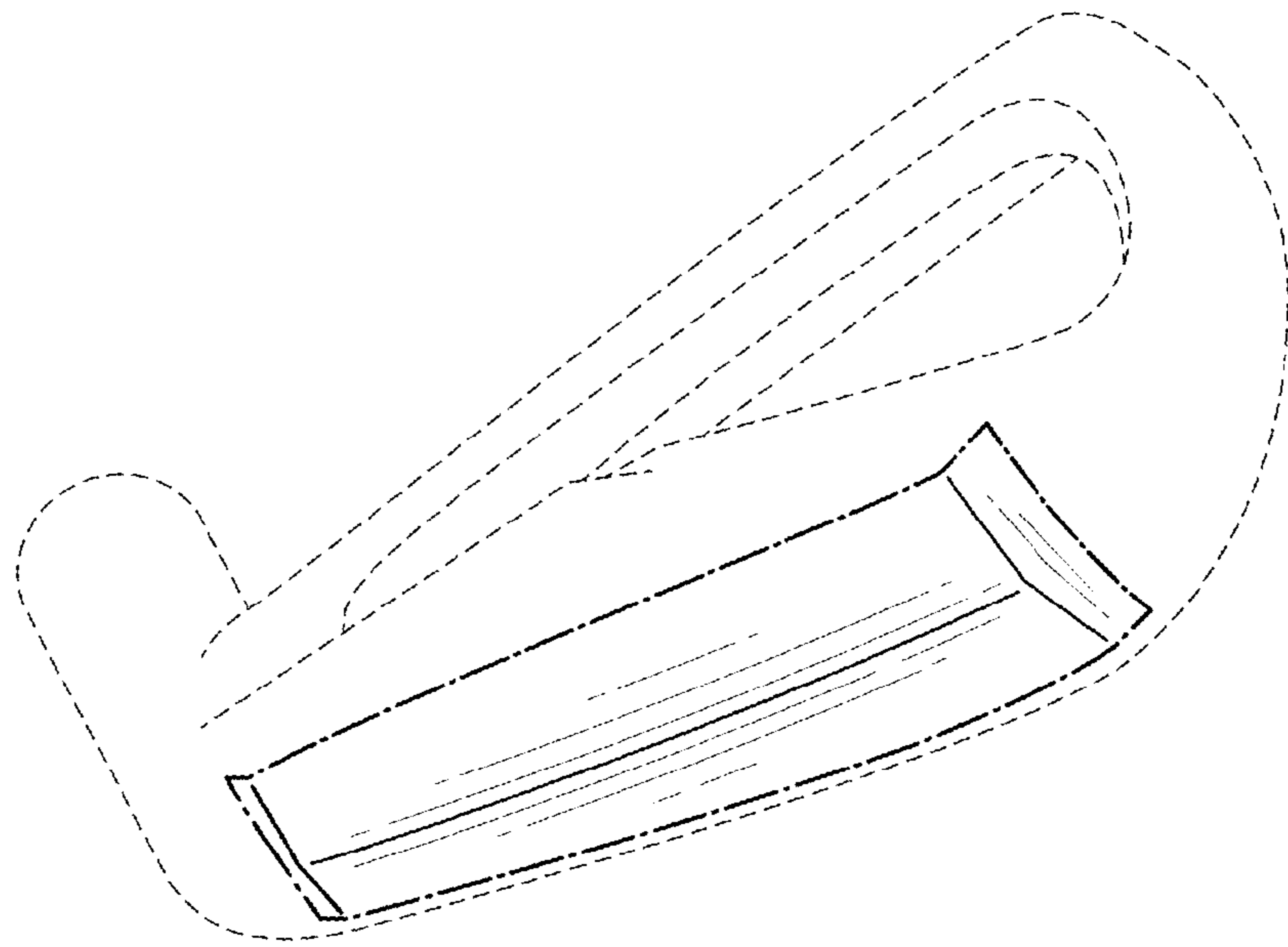


Fig. 1

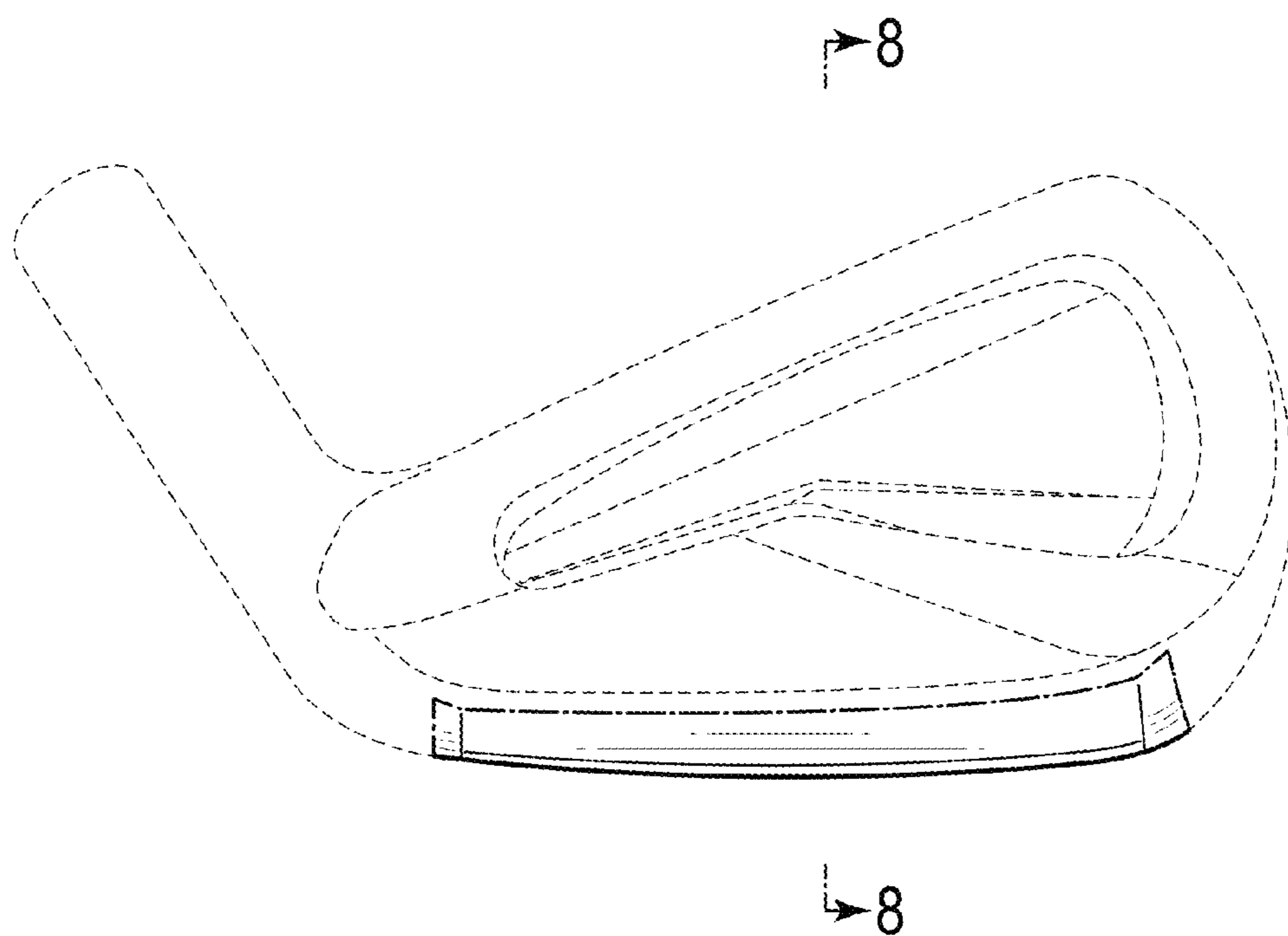


Fig. 2

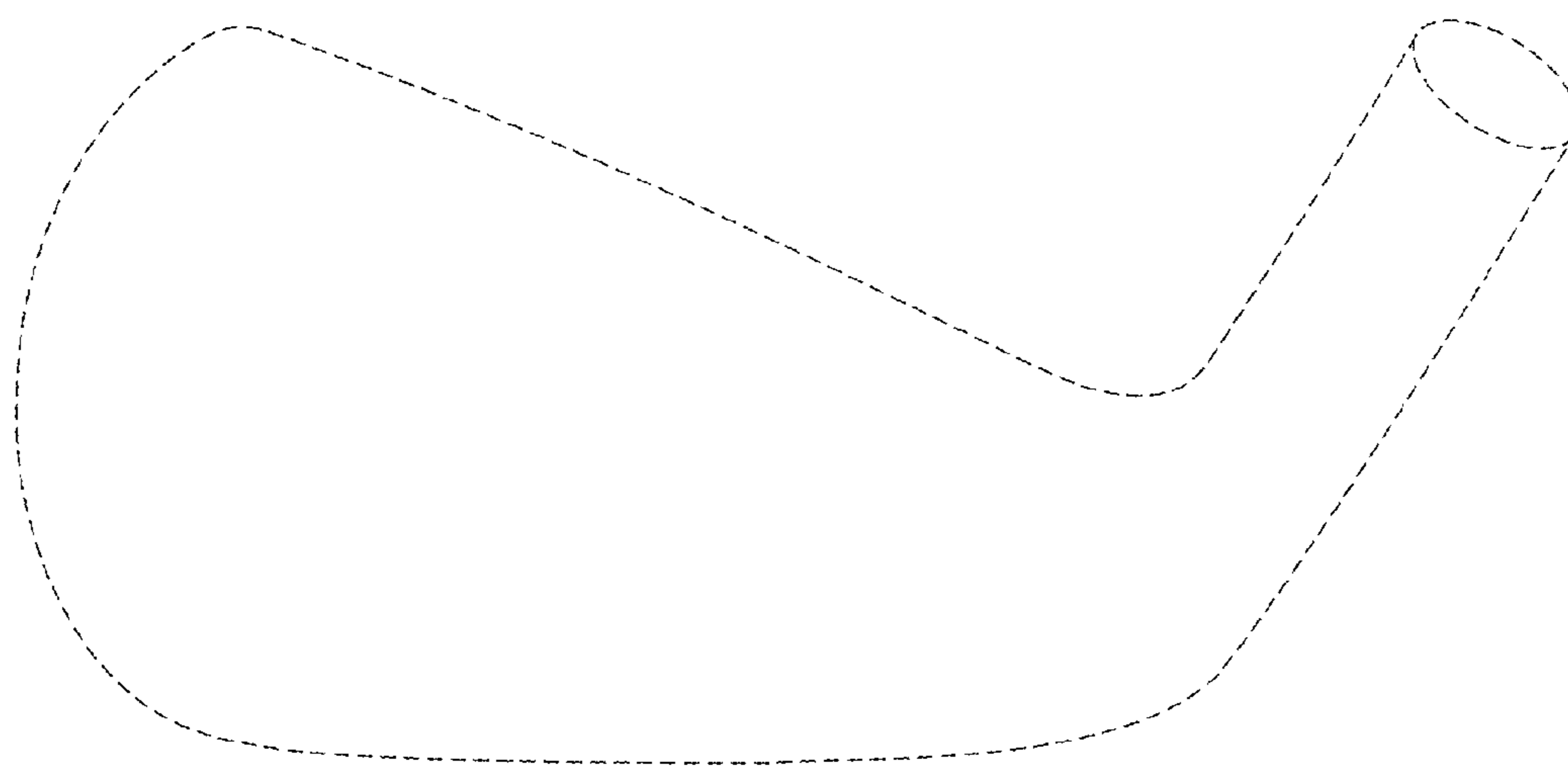


Fig. 3

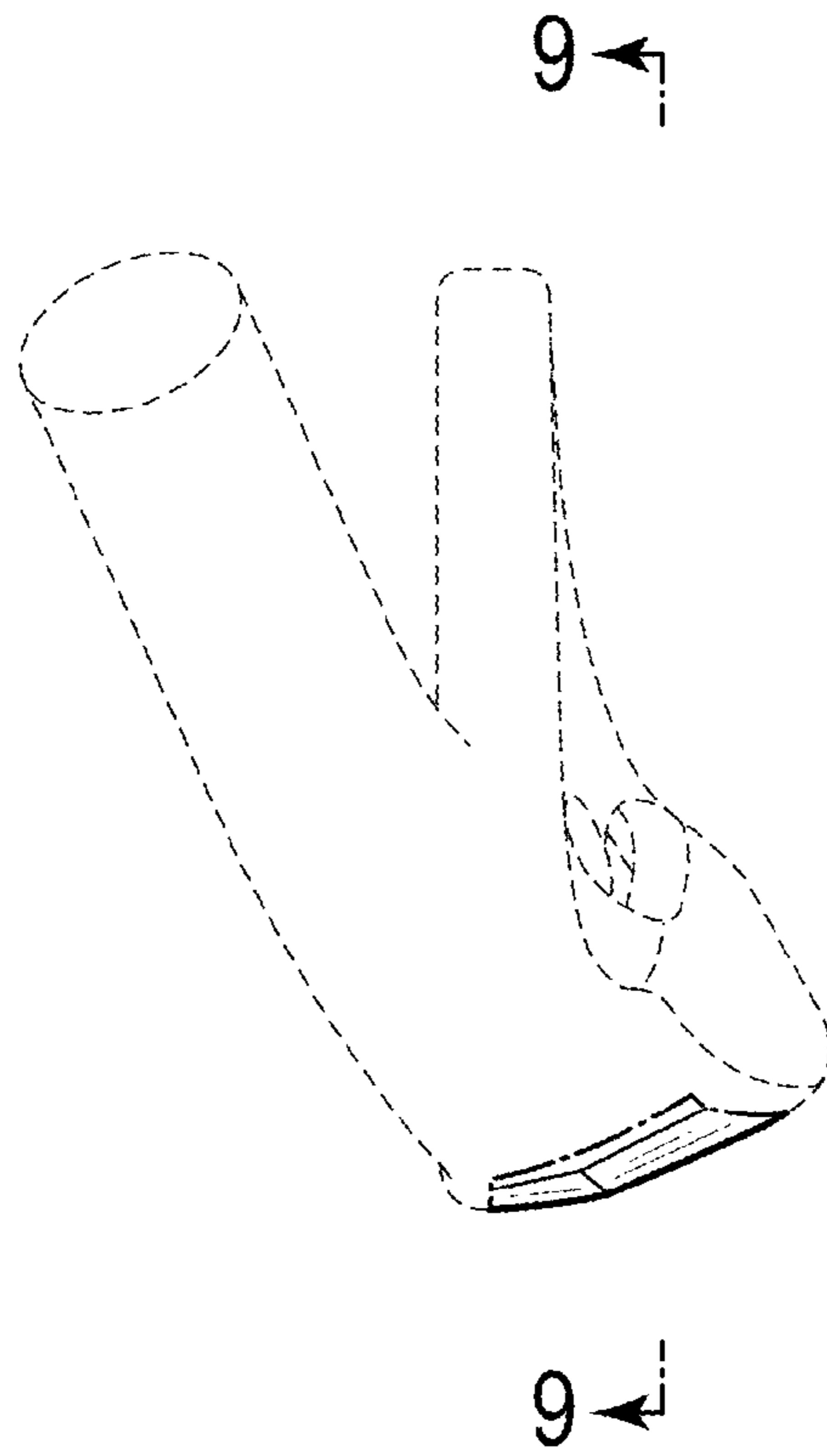


Fig. 4

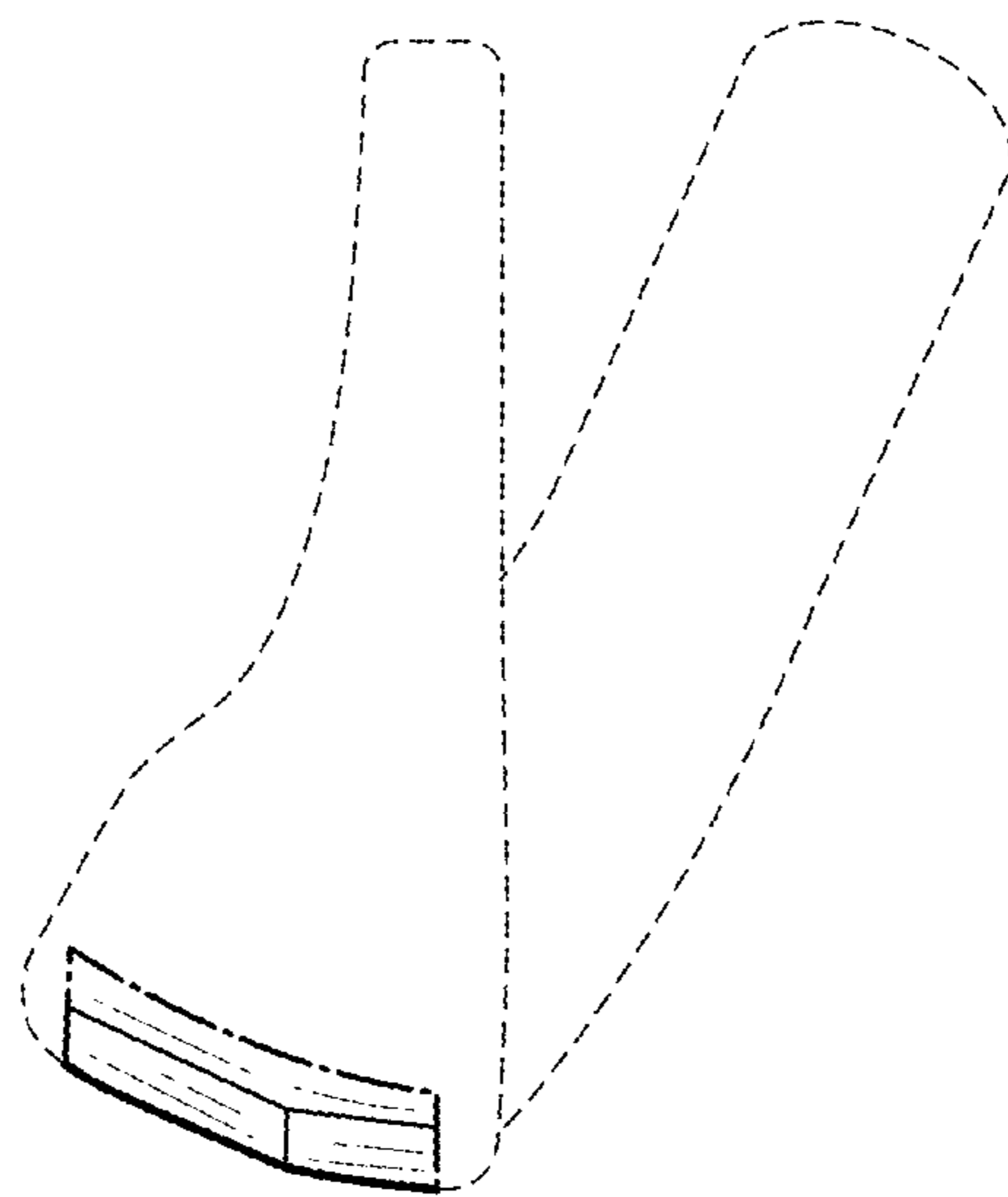


Fig. 5



Fig. 6

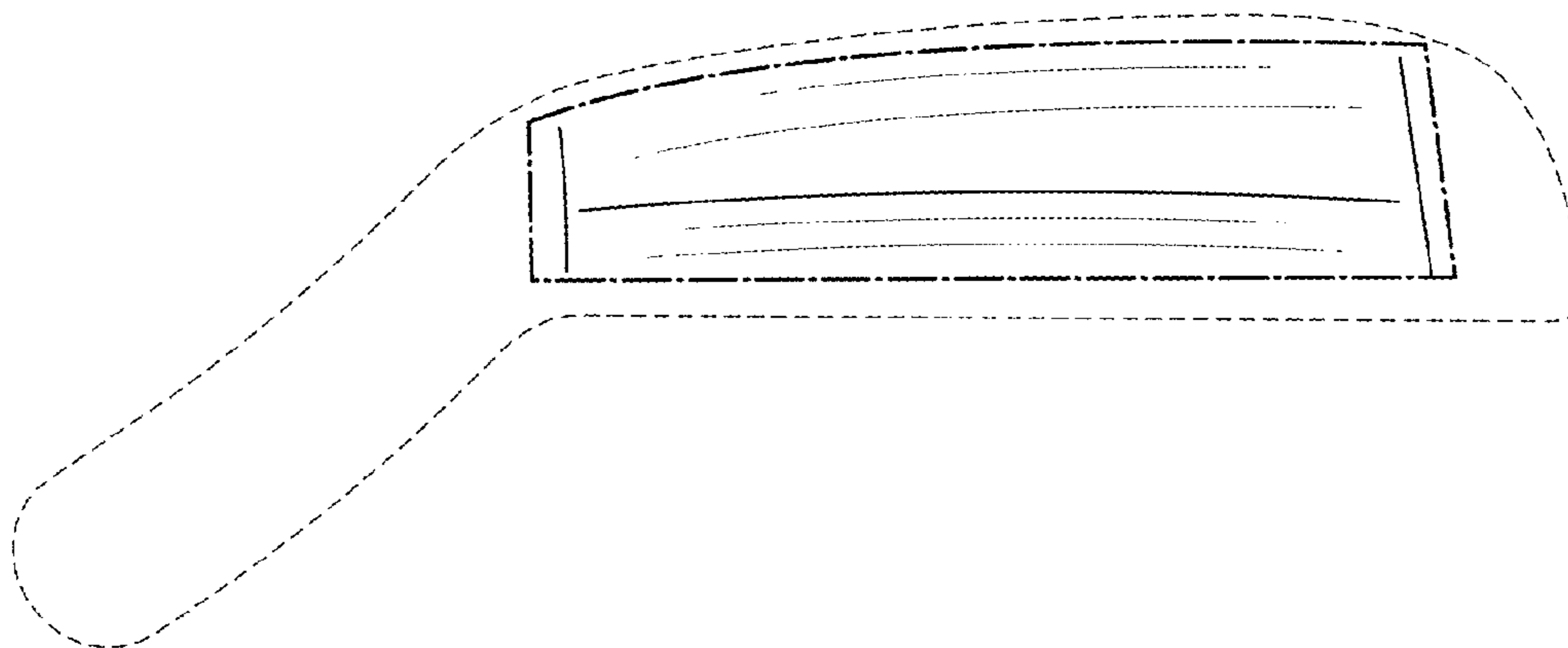


Fig. 7

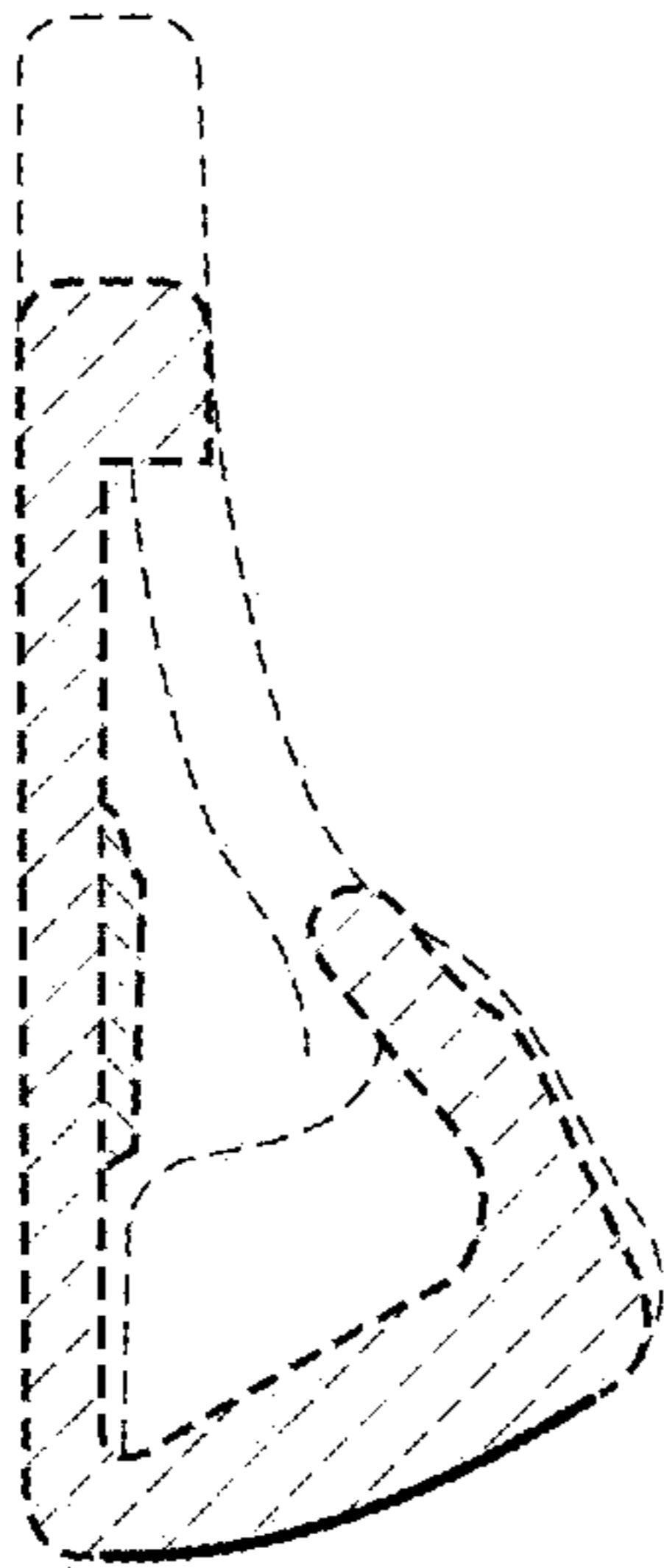


Fig. 8

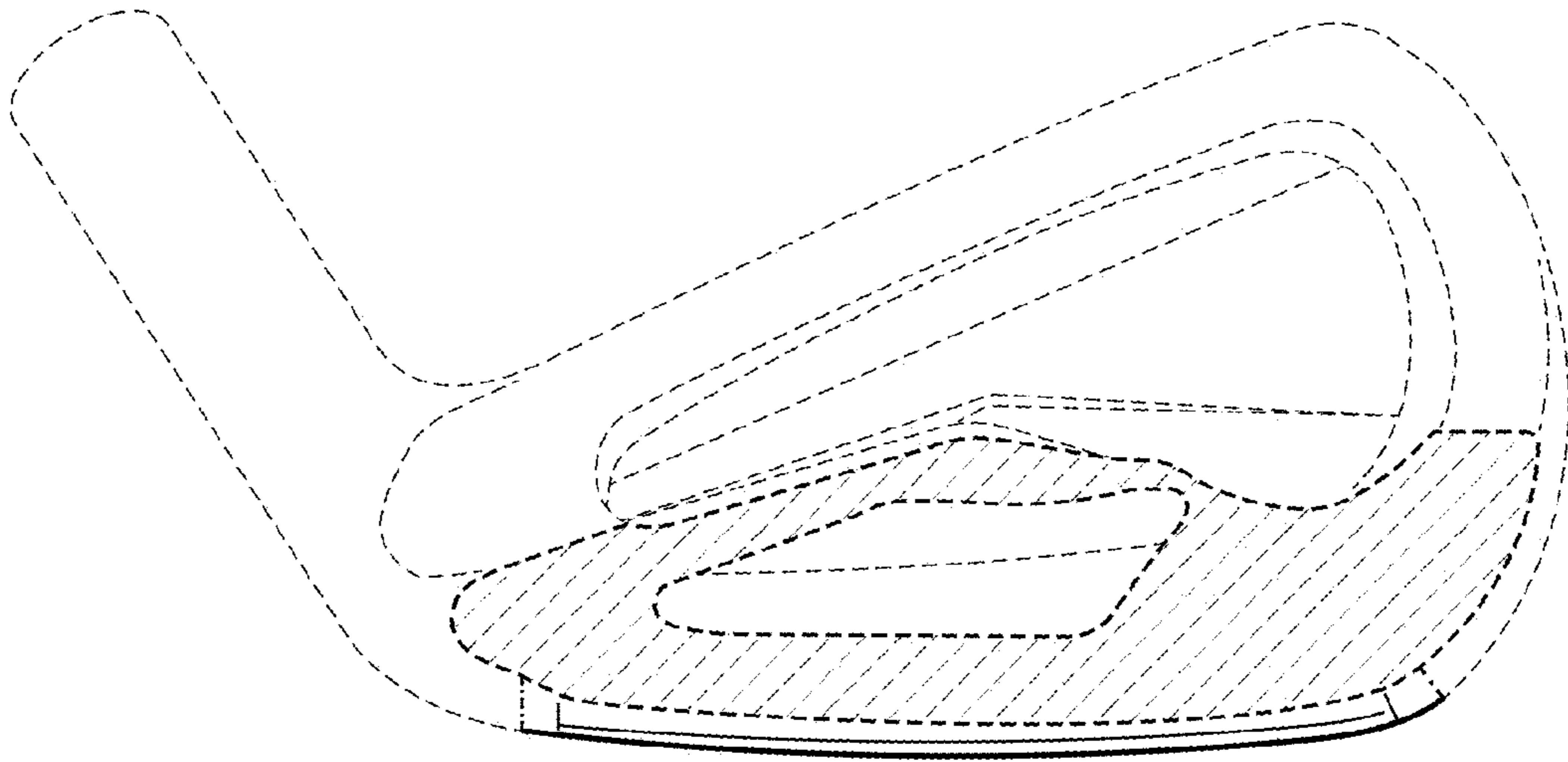


Fig. 9