



US00D741427S

(12) **United States Design Patent**
Broom

(10) **Patent No.:** **US D741,427 S**

(45) **Date of Patent:** **** Oct. 20, 2015**

(54) **PUTTER**

(71) Applicant: **Richard P Broom**, Bainbridge, WA
(US)

(72) Inventor: **Richard P Broom**, Bainbridge, WA
(US)

(**) Term: **14 Years**

(21) Appl. No.: **29/504,314**

(22) Filed: **Oct. 3, 2014**

(51) **LOC (10) Cl.** **21-02**

(52) **U.S. Cl.**
USPC **D21/743**

(58) **Field of Classification Search**
USPC D21/736-746
CPC ... A63B 53/065; A63B 53/0487; A63B 53/00
See application file for complete search history.

(56) **References Cited**

U.S. PATENT DOCUMENTS

D280,004 S * 8/1985 Worster et al. D21/744
5,961,400 A 10/1999 Broom
D417,710 S * 12/1999 Broom D21/736

D432,608 S * 10/2000 Broom D21/744
D438,923 S * 3/2001 Broom D21/744
D556,277 S * 11/2007 Broom D21/743
D631,925 S * 2/2011 Broom D21/743
D684,643 S * 6/2013 Kim D21/744

* cited by examiner

Primary Examiner — Mitchell Siegel

(74) *Attorney, Agent, or Firm* — Lowe Graham Jones PLLC

(57) **CLAIM**

The ornamental design for a putter, as shown and described.

DESCRIPTION

FIG. 1 is a isometric perspective view of a putter showing my new design.

FIG. 2 is a top plan view thereof.

FIG. 3 is a bottom plan view thereof

FIG. 4 is a left side elevational view thereof.

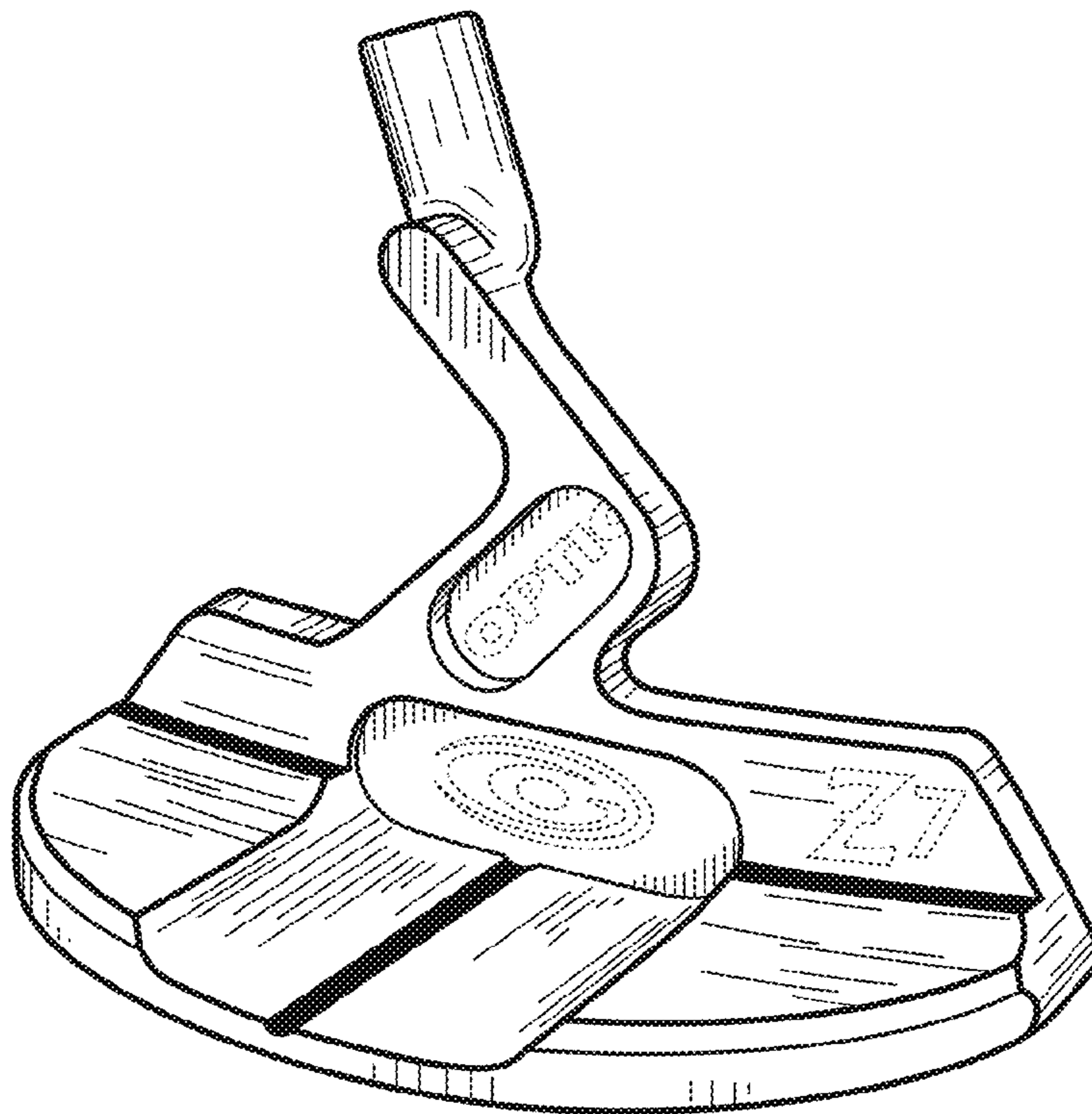
FIG. 5 is a right side elevational view thereof.

FIG. 6 is a front elevational view thereof; and,

FIG. 7 is a rear elevational view thereof.

The portions of the design shown in dashed lines indicate potential trademark designations and form no part of the claimed invention.

1 Claim, 3 Drawing Sheets



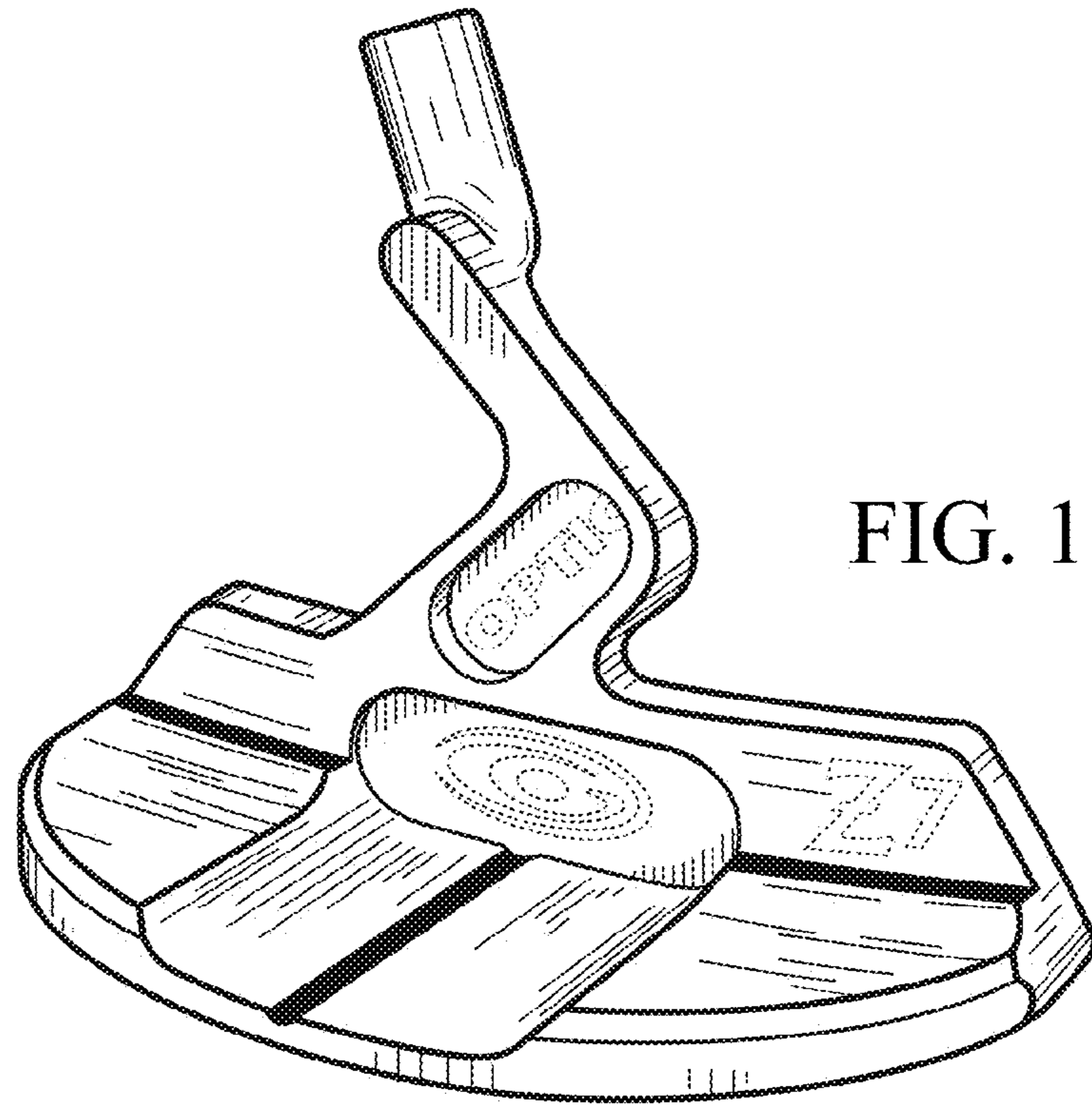


FIG. 1

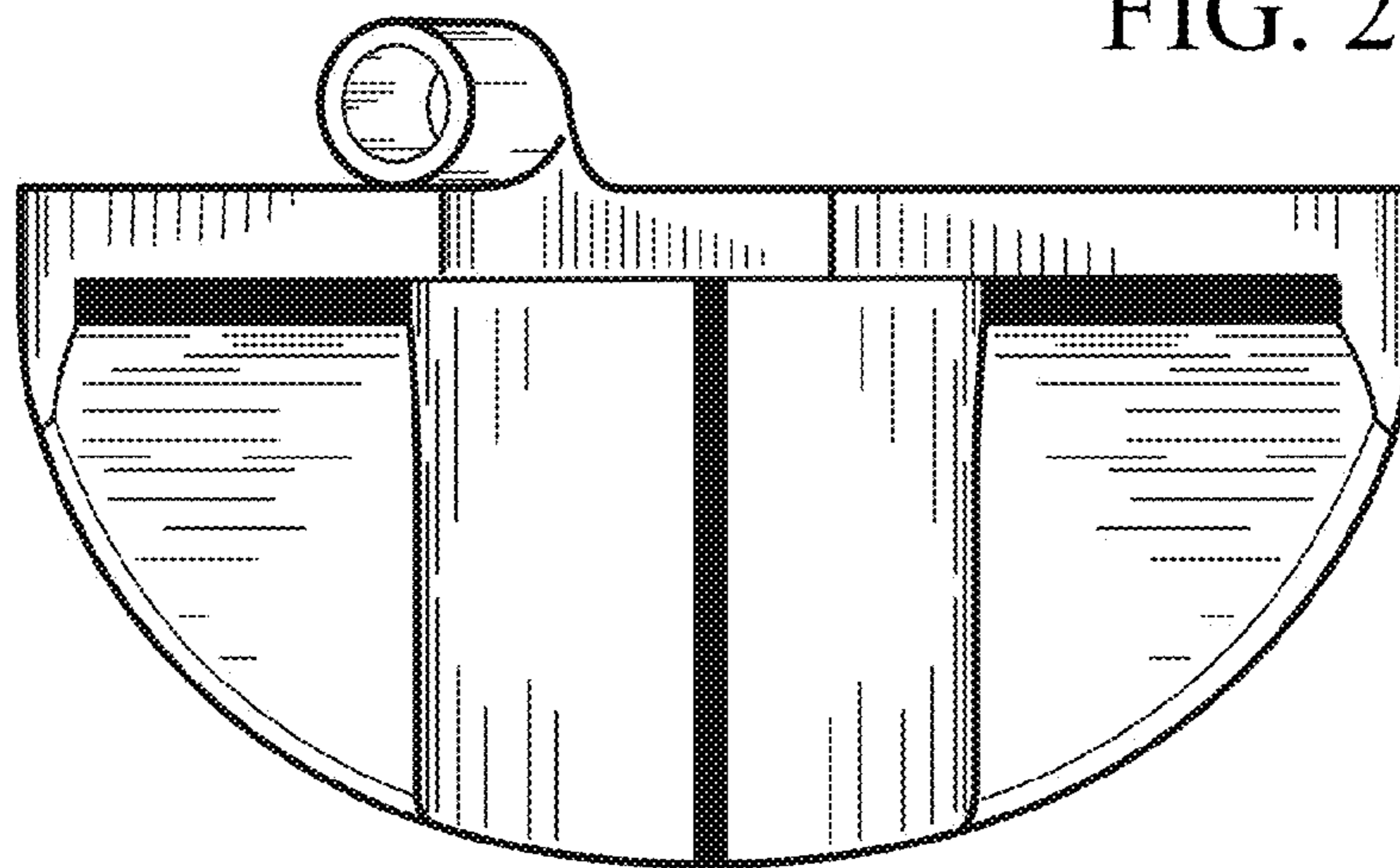


FIG. 2

FIG. 3

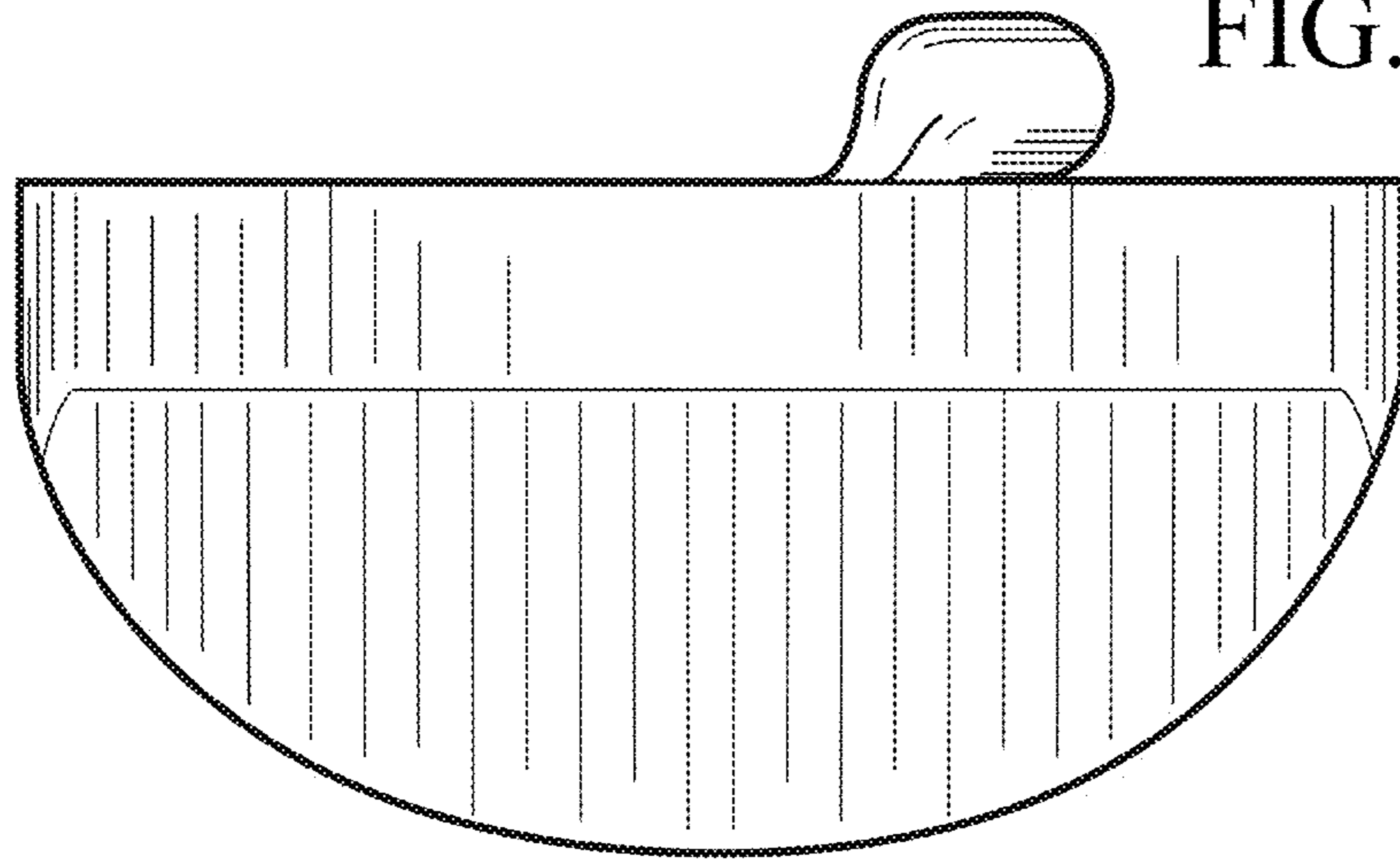
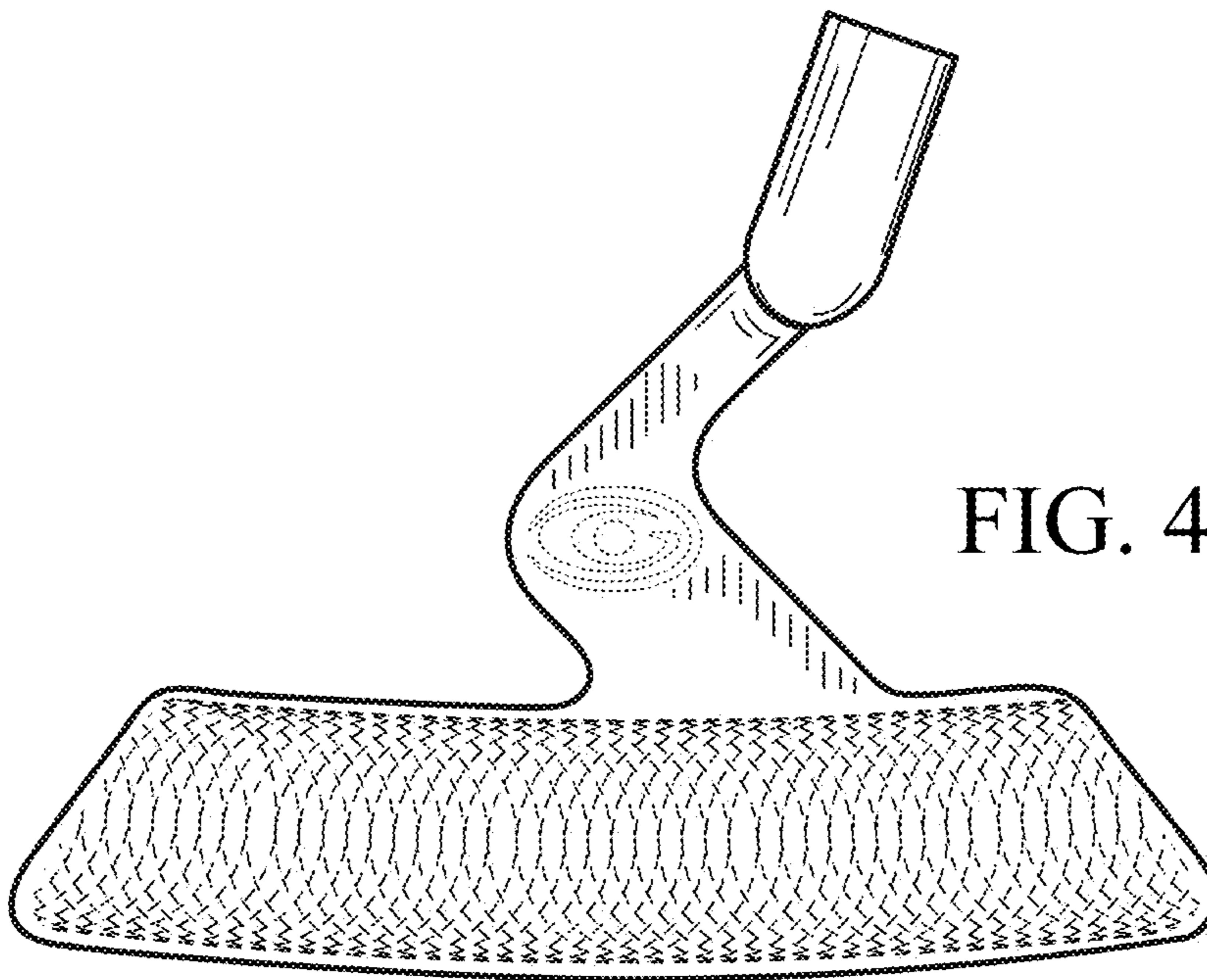


FIG. 4



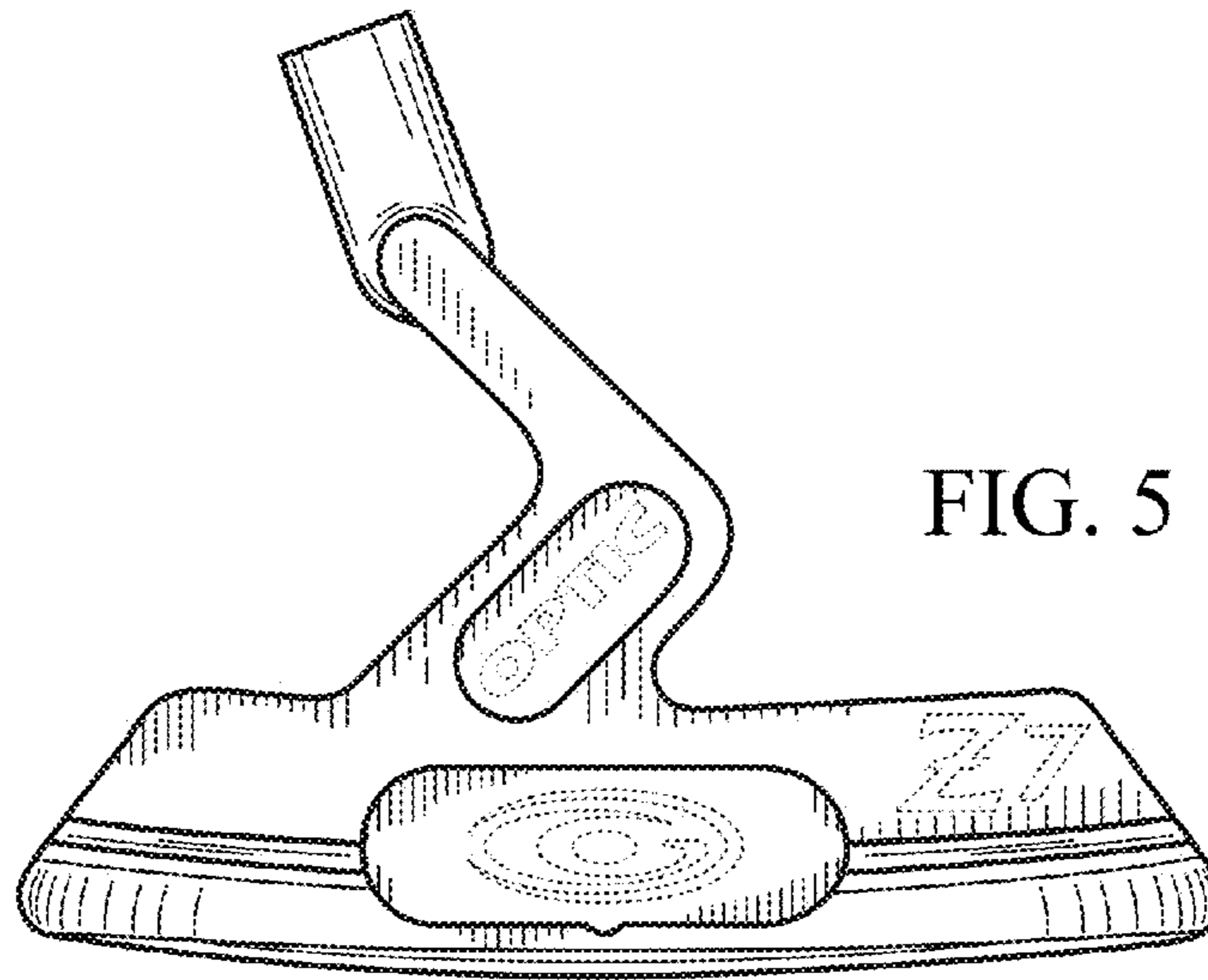


FIG. 5

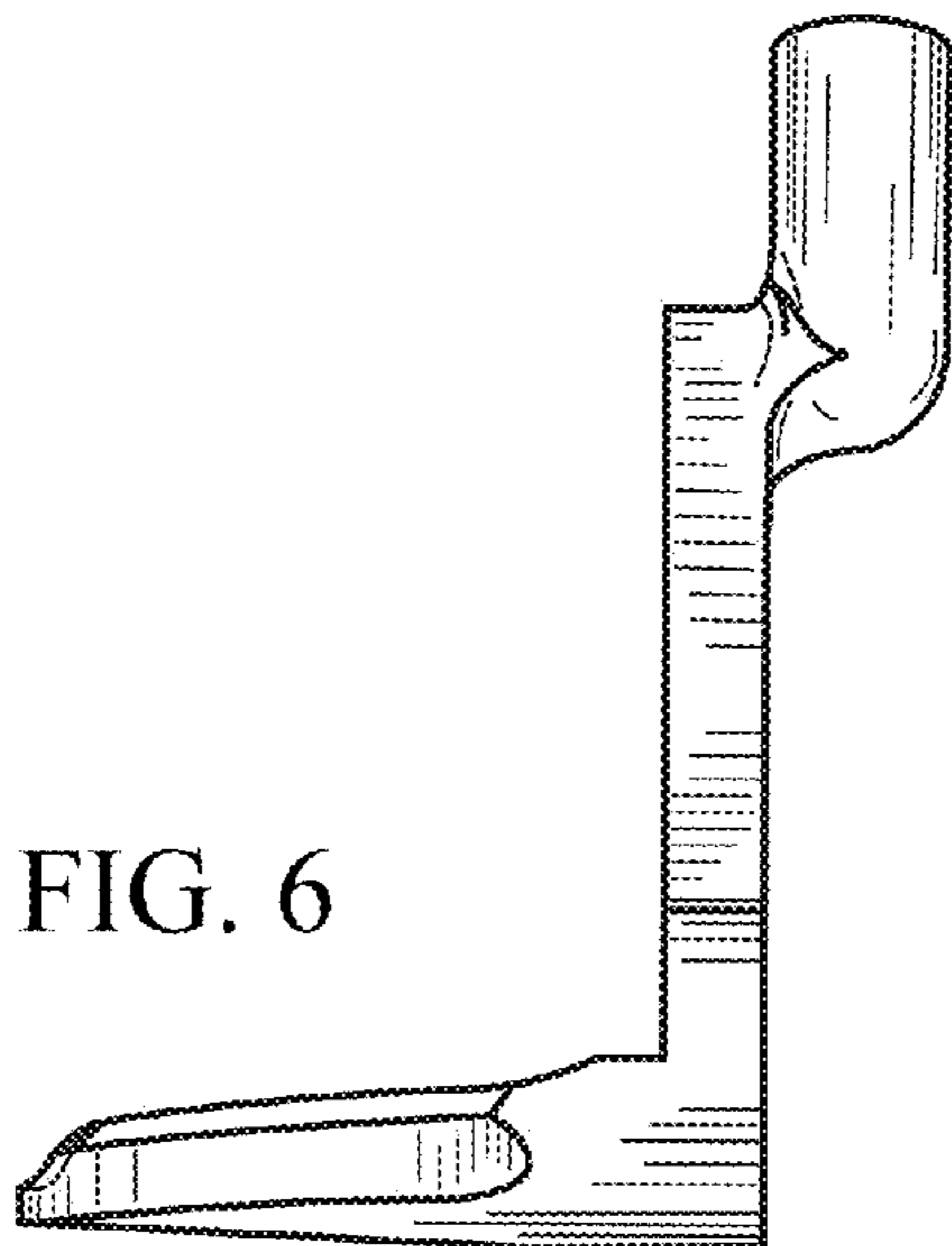


FIG. 6

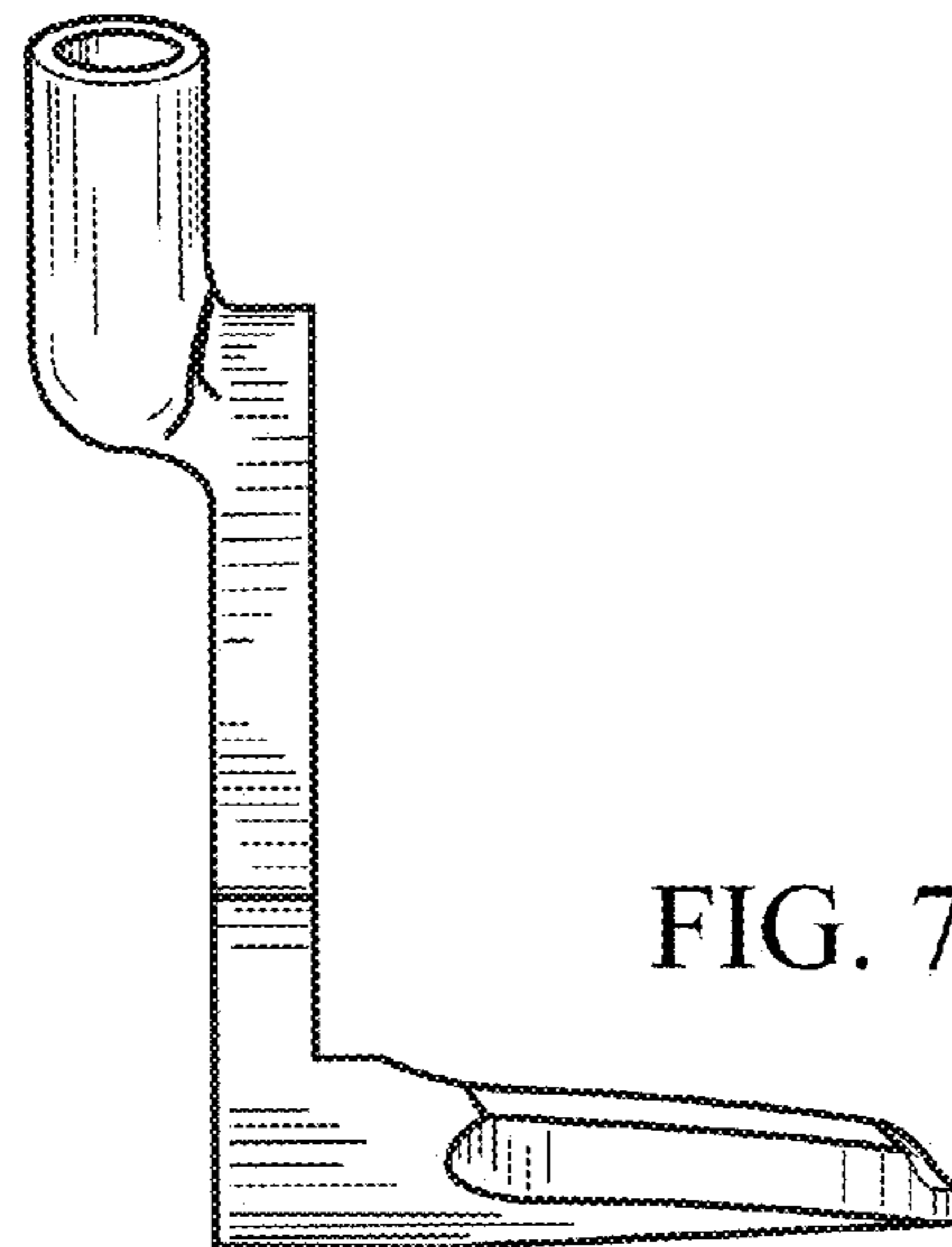


FIG. 7

UNITED STATES PATENT AND TRADEMARK OFFICE
CERTIFICATE OF CORRECTION

PATENT NO. : D741,427 S
APPLICATION NO. : 29/504314
DATED : October 20, 2015
INVENTOR(S) : Broom

Page 1 of 1

It is certified that error appears in the above-identified patent and that said Letters Patent is hereby corrected as shown below:

On the title page in the Description of Figure 6 delete “; and,” and insert -- . --.

Signed and Sealed this
Fourteenth Day of June, 2016



Michelle K. Lee
Director of the United States Patent and Trademark Office