



US00D741426S

(12) **United States Design Patent**
Schweigert

(10) **Patent No.:** **US D741,426 S**
(45) **Date of Patent:** **** Oct. 20, 2015**

(54) **GOLF CLUB HEAD**

Primary Examiner — Mitchell Siegel

(71) Applicant: **PARSONS XTREME GOLF, LLC**,
Scottsdale, AZ (US)

(72) Inventor: **Bradley D. Schweigert**, Anthem, AZ
(US)

(**) Term: **14 Years**

(21) Appl. No.: **29/523,632**

(22) Filed: **Apr. 13, 2015**

Related U.S. Application Data

(63) Continuation-in-part of application No. 29/523,587,
filed on Apr. 10, 2015, and a continuation-in-part of
application No. 29/503,812, filed on Sep. 30, 2014,
now Pat. No. Des. 726,846.

(51) **LOC (10) Cl.** **21-02**

(52) **U.S. Cl.**
USPC **D21/736**

(58) **Field of Classification Search**
USPC D21/736-746, 759
CPC ... A63B 53/00; A63B 53/065; A63B 53/0487
See application file for complete search history.

(56) **References Cited**

U.S. PATENT DOCUMENTS

4,043,562 A 8/1977 Shillington
D350,582 S * 9/1994 Miansian et al. D21/742

(Continued)

OTHER PUBLICATIONS

U.S. Appl. No. 29/503,812, Schweigert, "Golf Club Head," filed Sep.
30, 2014.

(Continued)

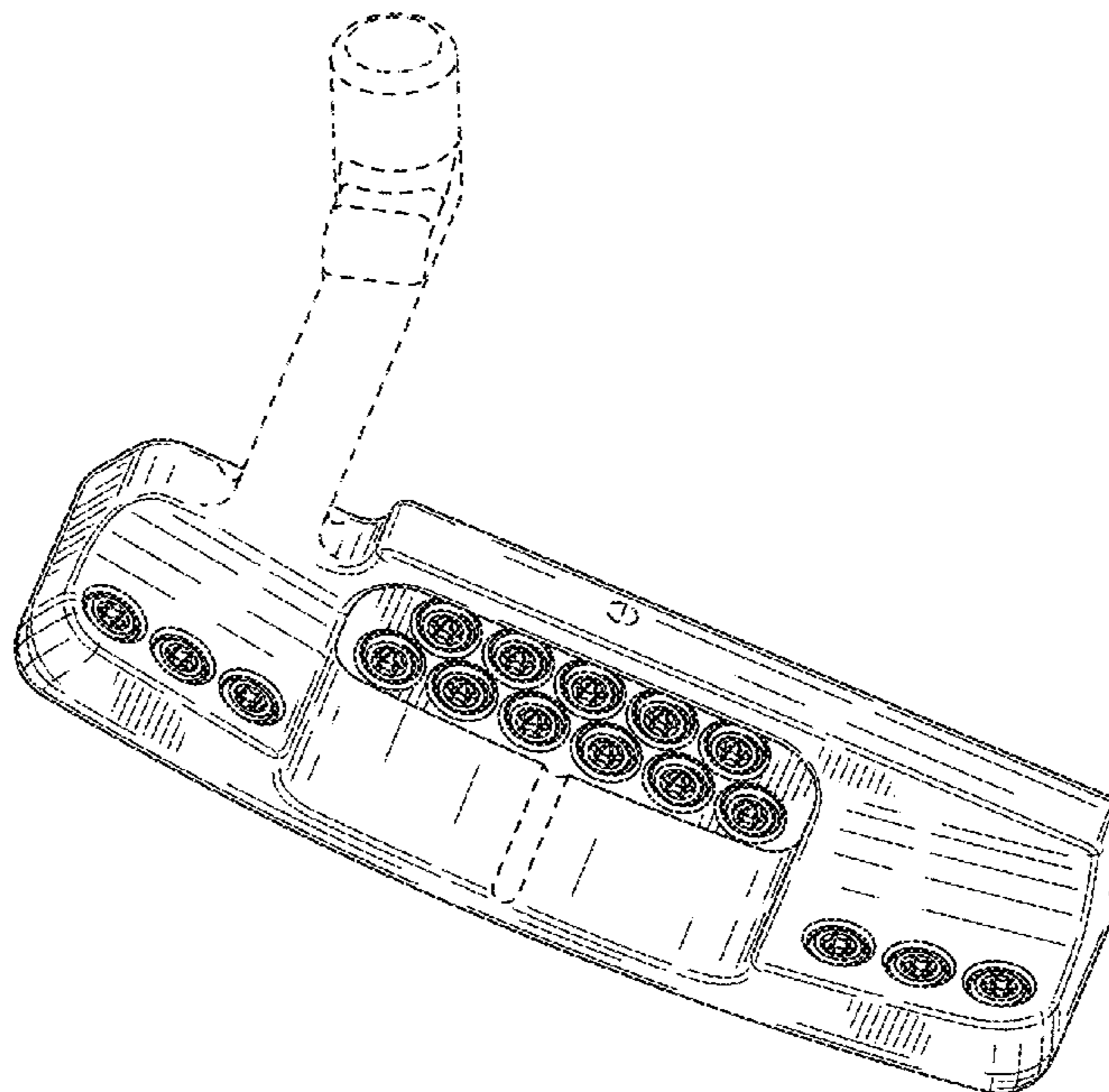
(57) **CLAIM**

The ornamental design for a golf club head, as shown and
described.

DESCRIPTION

FIG. 1 is a top perspective view of a golf club head;
FIG. 2 is a bottom perspective view of the golf club head of
FIG. 1;
FIG. 3 is a front elevational view of the golf club head of FIG.
1;
FIG. 4 is a rear elevational view of the golf club head of FIG.
1;
FIG. 5 is a top view of the golf club head of FIG. 1;
FIG. 6 is a bottom view of the golf club head of FIG. 1;
FIG. 7 is a left side view of the golf club head of FIG. 1;
FIG. 8 is a right side view of the golf club head of FIG. 1;
FIG. 9 is top perspective view of another golf club head;
FIG. 10 is a bottom perspective view of the golf club head of
FIG. 9;
FIG. 11 is a front elevational view of the golf club head of
FIG. 9;
FIG. 12 is a rear elevational view of the golf club head of FIG.
9;
FIG. 13 is a top view of the golf club head of FIG. 9;
FIG. 14 is a bottom view of the golf club head of FIG. 9;
FIG. 15 is a left side view of the golf club head of FIG. 9; and,
FIG. 16 is a right side view of the golf club head of FIG. 9.
The broken lines connecting the solid lines represent the
bounds of the claim. The remaining broken lines illustrate the
environment. None of the broken lines forms part of the
claimed design.

1 Claim, 8 Drawing Sheets



(56)

References Cited

U.S. PATENT DOCUMENTS

5,429,366 A 7/1995 McCabe
 D363,101 S 10/1995 Sturm
 D365,864 S 1/1996 Sturm
 5,489,097 A 2/1996 Simmons
 D368,751 S 4/1996 Rife
 D378,688 S 4/1997 Cameron
 5,683,307 A 11/1997 Rife
 D398,685 S 9/1998 Masuda
 D399,911 S 10/1998 Nicolette et al.
 D405,836 S * 2/1999 Nicolette et al. D21/736
 D409,701 S * 5/1999 Ashcraft et al. D21/743
 5,924,938 A 7/1999 Hines
 D436,151 S 1/2001 Nicolette et al.
 D441,820 S * 5/2001 Nicolette et al. D21/738
 D443,668 S 6/2001 Nicolette et al.
 D443,905 S 6/2001 Nicolette et al.
 D444,833 S 7/2001 Wells et al.
 D449,664 S 10/2001 Beebe et al.
 D449,865 S * 10/2001 Fife et al. D21/736
 D450,799 S * 11/2001 Nicolette et al. D21/736
 D451,973 S 12/2001 Wells et al.
 6,348,014 B1 * 2/2002 Chiu 473/337
 6,354,959 B1 3/2002 Nicolette et al.
 D472,949 S * 4/2003 Serrano D21/736
 D474,821 S 5/2003 Wells et al.
 D483,086 S 12/2003 Schweigert et al.
 D486,872 S 2/2004 Schweigert et al.
 D498,276 S 11/2004 Schweigert et al.
 6,902,496 B2 6/2005 Solheim et al.
 6,988,956 B2 1/2006 Cover et al.
 D520,088 S 5/2006 Parr
 D531,242 S 10/2006 Adams
 D532,067 S 11/2006 Soracco et al.
 7,153,220 B2 12/2006 Lo
 7,156,752 B1 1/2007 Bennett
 7,204,765 B2 4/2007 Cover et al.
 D542,869 S 5/2007 Adams
 D543,598 S 5/2007 Kuan et al.
 D556,277 S 11/2007 Broom
 D561,854 S 2/2008 Morris
 7,331,876 B2 2/2008 Klein
 7,351,162 B2 4/2008 Soracco et al.
 D569,461 S 5/2008 Morris
 D569,930 S 5/2008 Nehrbas
 7,396,289 B2 7/2008 Soracco et al.
 D577,085 S 9/2008 Nicolette et al.
 D577,086 S 9/2008 Nicolette et al.
 D579,506 S 10/2008 Nicolette et al.
 D579,995 S 11/2008 Nicolette et al.
 D582,497 S 12/2008 Rollinson
 7,473,189 B2 * 1/2009 Schweigert et al. 473/341
 7,491,131 B2 2/2009 Vinton
 D599,425 S 9/2009 Laub

7,744,485 B2 6/2010 Jones et al.
 D620,993 S 8/2010 Laub
 D623,709 S 9/2010 Serrano et al.
 D631,925 S * 2/2011 Broom D21/743
 7,887,432 B2 2/2011 Jones et al.
 7,909,707 B2 3/2011 Klein
 7,918,745 B2 4/2011 Morris et al.
 D638,891 S 5/2011 Nicolette et al.
 D642,643 S 8/2011 Nicolette et al.
 D643,485 S 8/2011 Nicolette et al.
 D645,104 S 9/2011 Nicolette et al.
 8,096,039 B2 1/2012 Soracco et al.
 D653,718 S 2/2012 Stokke et al.
 D666,260 S * 8/2012 Cynn D21/742
 D688,339 S 8/2013 Hilton et al.
 D688,341 S 8/2013 Rollinson
 D691,226 S 10/2013 Hilton et al.
 D699,308 S 2/2014 Rollinson
 D704,782 S 5/2014 Rollinson
 8,721,472 B2 5/2014 Kuan et al.
 8,790,193 B2 7/2014 Serrano et al.
 D722,350 S 2/2015 Schweigert
 D722,351 S * 2/2015 Parsons et al. D21/736
 D724,164 S * 3/2015 Schweigert et al. D21/752
 D725,208 S * 3/2015 Schweigert D21/743
 D726,846 S * 4/2015 Schweigert D21/743
 D733,234 S * 6/2015 Nicolette D21/752
 2007/0142122 A1 6/2007 Bonneau
 2007/0238548 A1 10/2007 Johnson
 2008/0176672 A1 7/2008 Roach et al.
 2011/0165959 A1 7/2011 Klein
 2013/0165256 A1 6/2013 Stevenson
 2013/0210537 A1 8/2013 Ainscough et al.

OTHER PUBLICATIONS

U.S. Appl. No. 29/506,381, Schweigert, "Golf Club Head," filed Oct. 15, 2014.
 U.S. Appl. No. 29/509,762, Parsons et al., "Golf Club Head," filed Nov. 20, 2014.
 U.S. Appl. No. 29/511,483, Parsons et al., "Golf Club Head," filed Dec. 11, 2014.
 U.S. Appl. No. 29/512,255, Schweigert, "Golf Club Head," filed Dec. 17, 2014.
 U.S. Appl. No. 29/512,512, Schweigert, "Golf Club Head," filed Dec. 19, 2014.
 U.S. Appl. No. 29/512,516, Schweigert, "Golf Club Head," filed Dec. 19, 2014.
 U.S. Appl. No. 14/586,720, Parsons et al., "Golf Club Heads and Methods to Manufacture Golf Club Heads," filed Dec. 30, 2014.
 U.S. Appl. No. 29/518,697, Schweigert, "Golf Club Head," filed Feb. 26, 2015.
 U.S. Appl. No. 29/523,587, Schweigert, "Golf Club Head," filed Apr. 10, 2015.

* cited by examiner

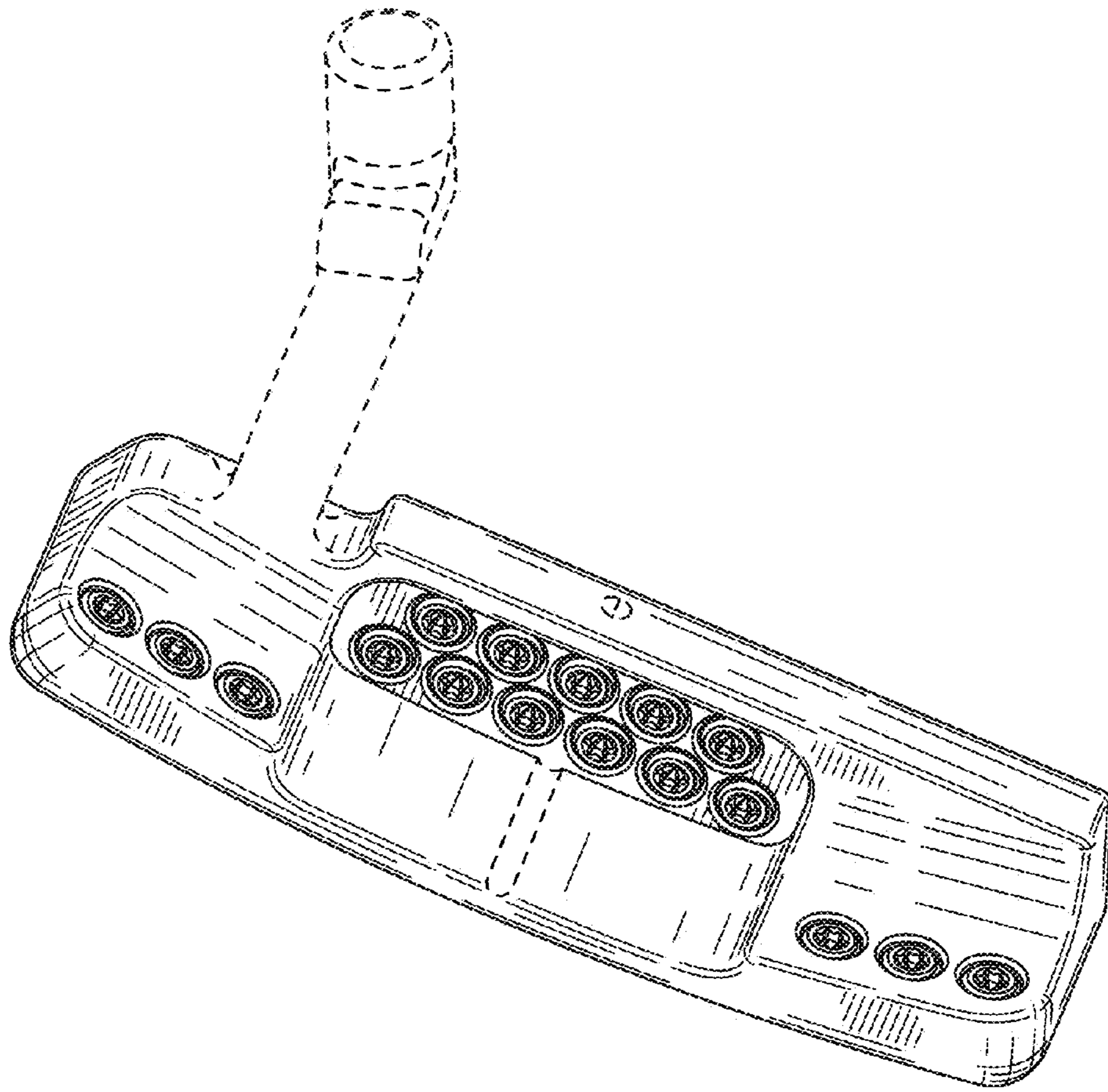


FIG. 1

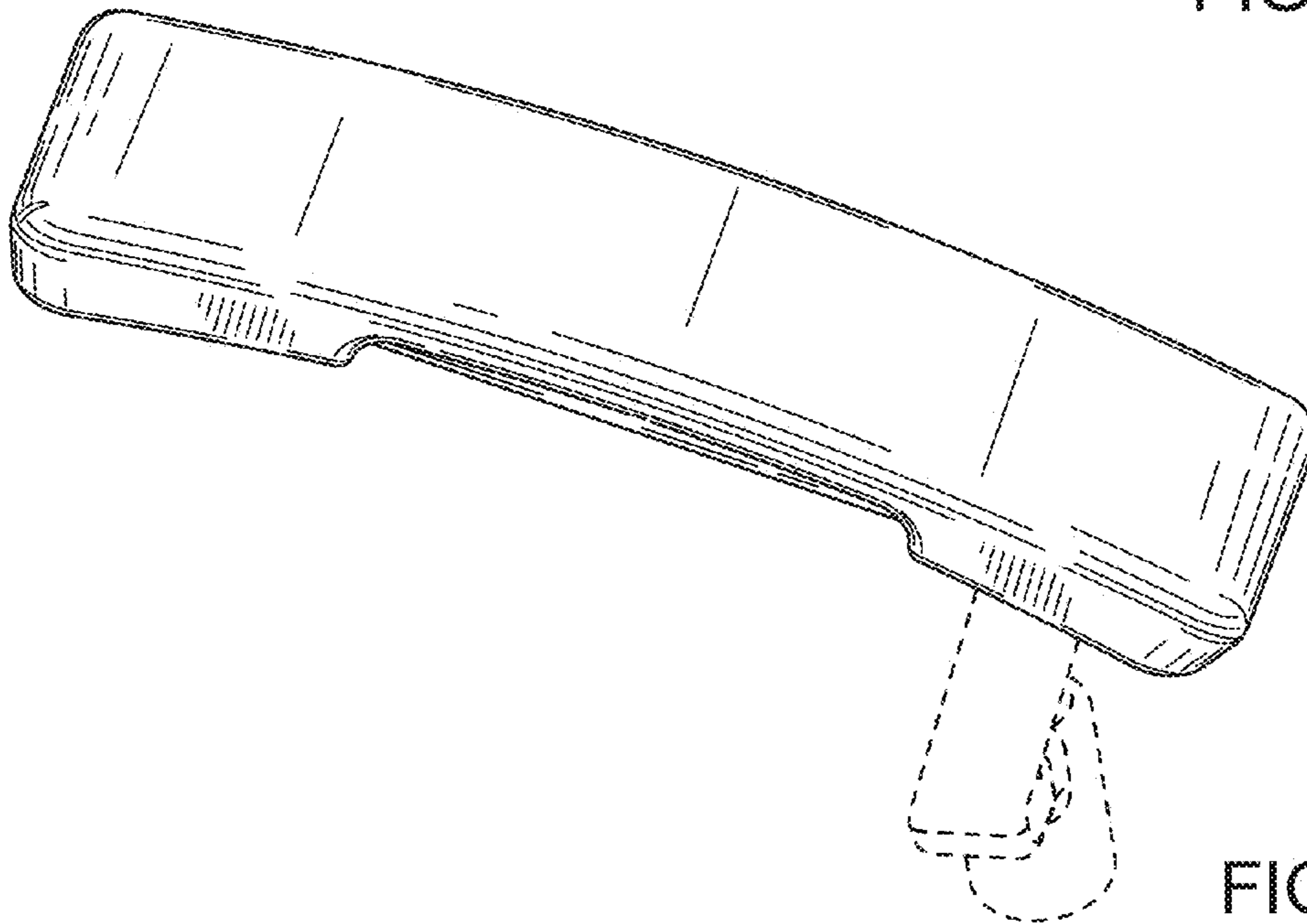


FIG. 2

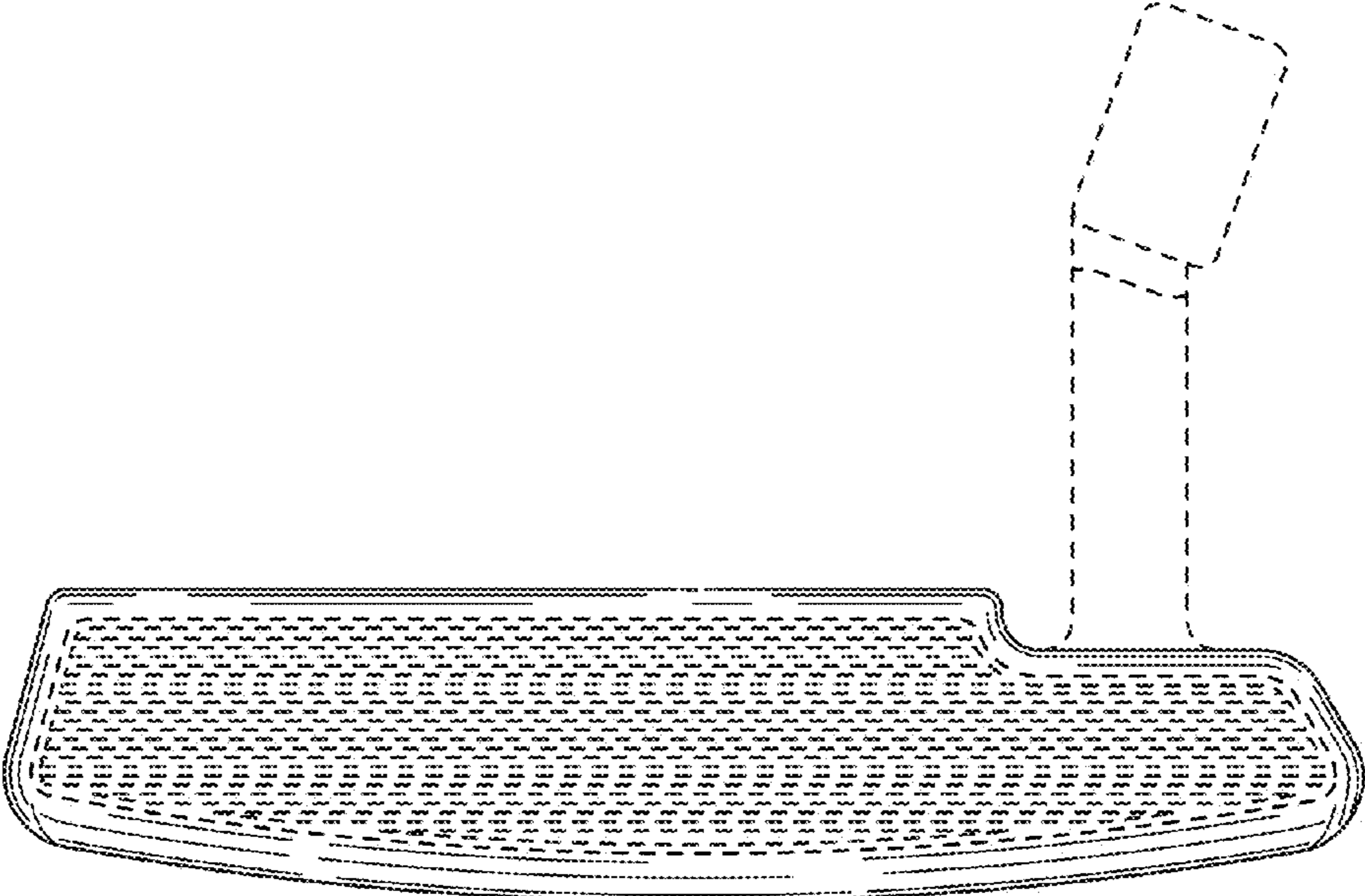


FIG. 3

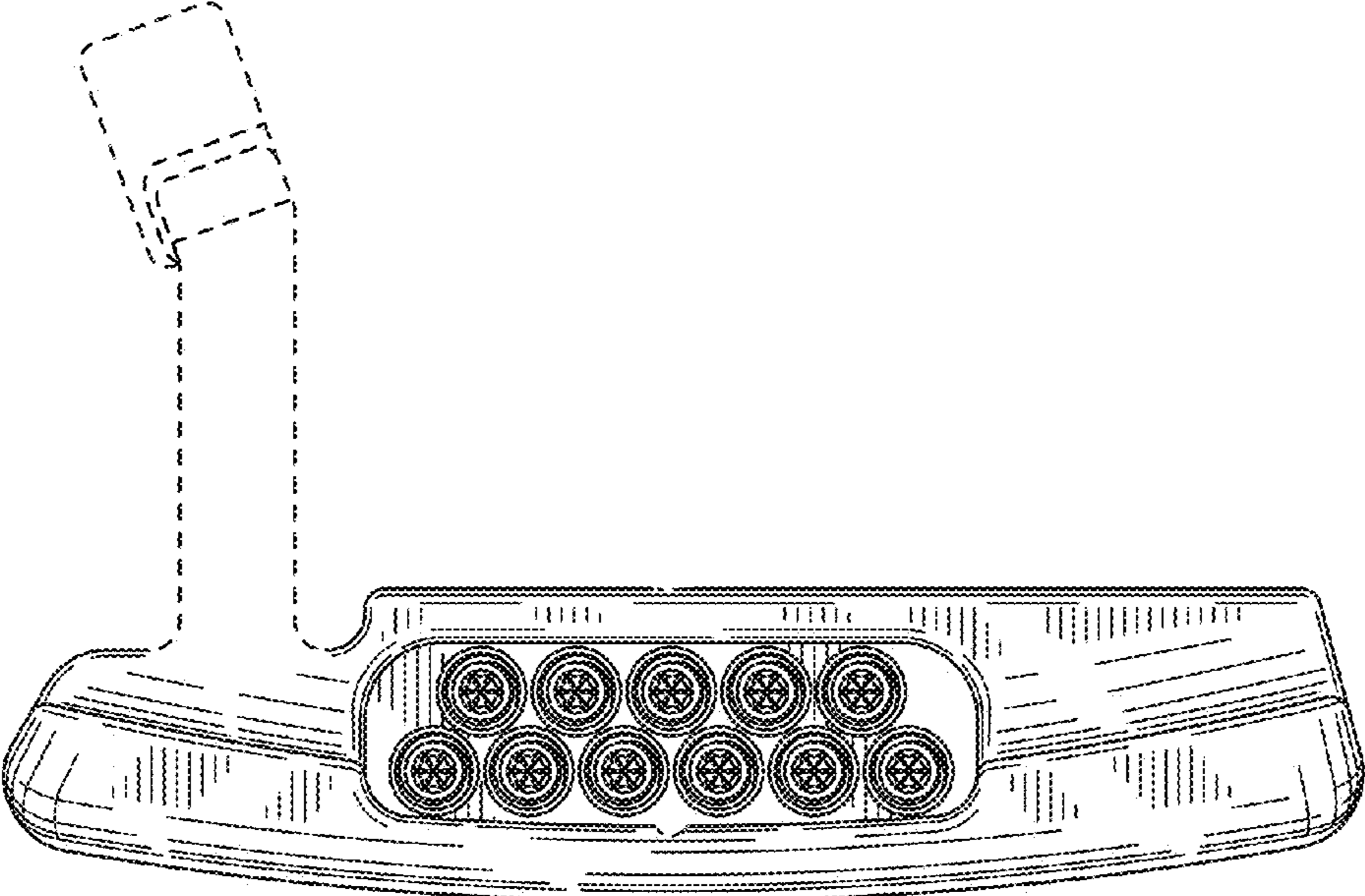


FIG. 4

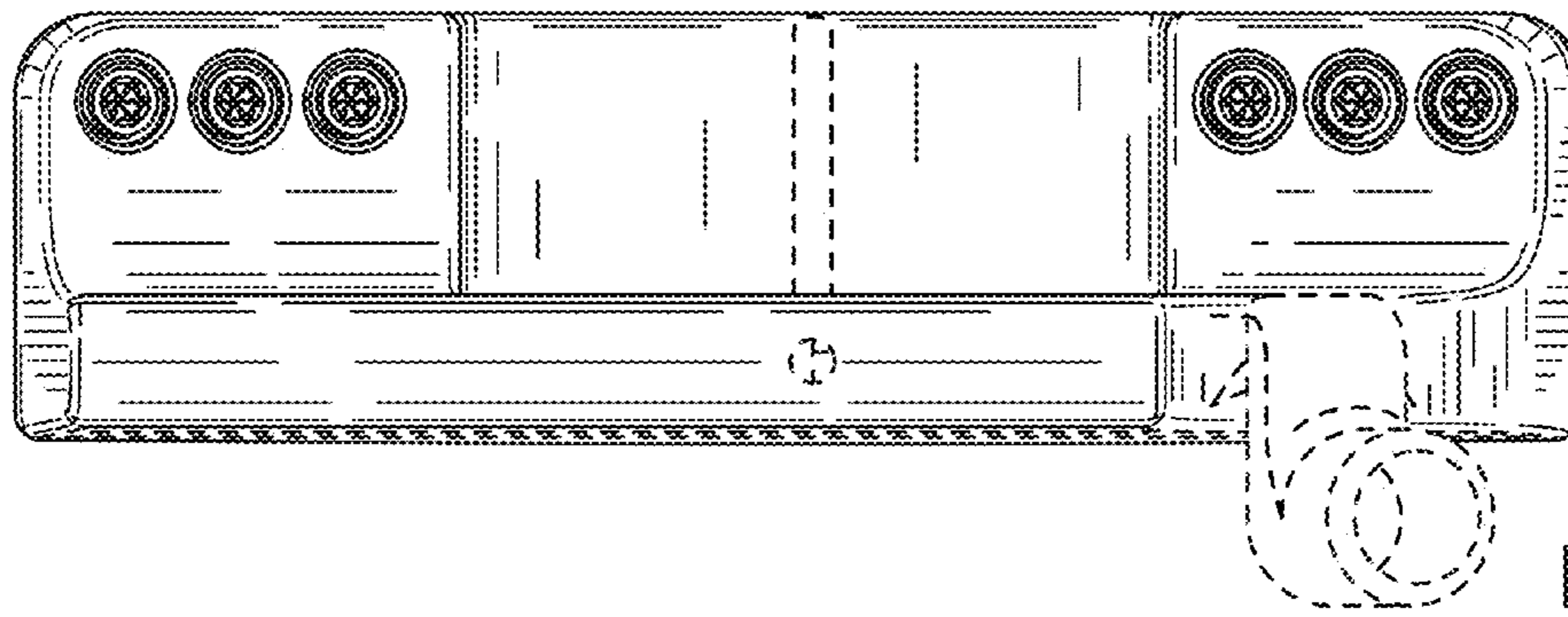


FIG. 5

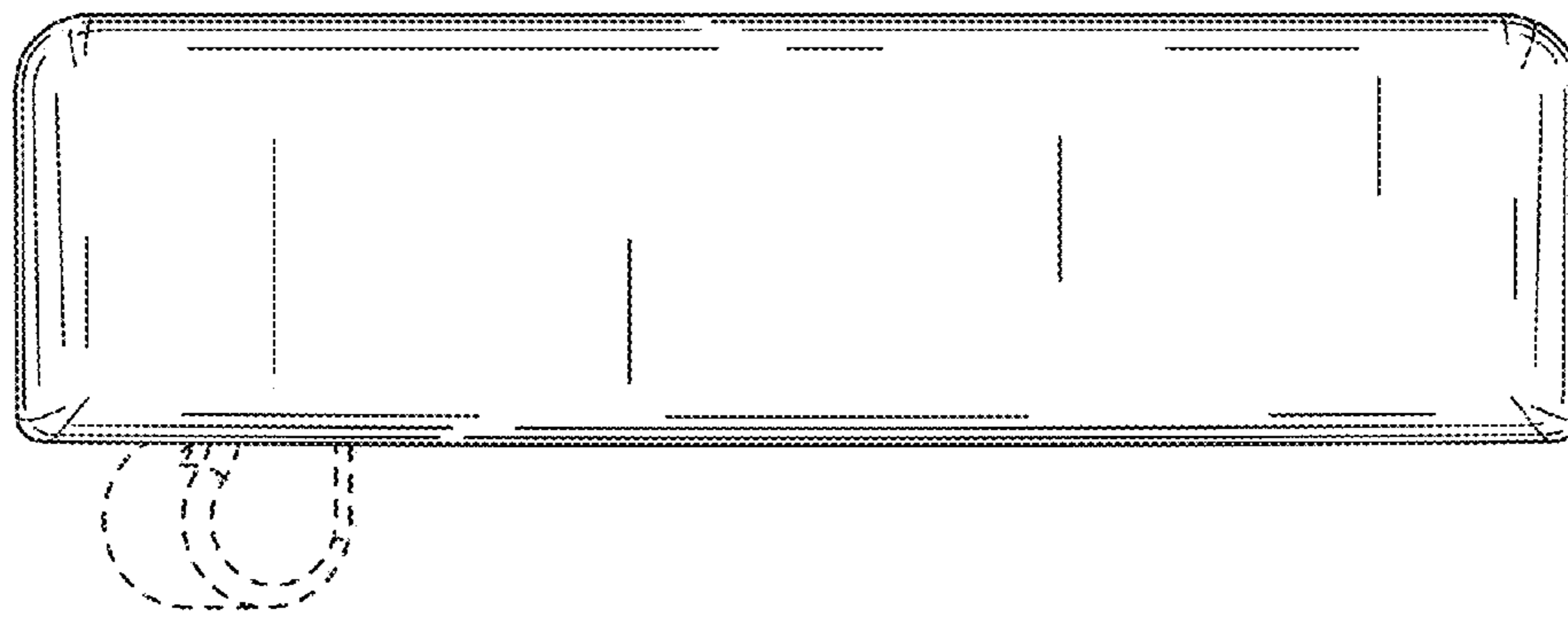


FIG. 6

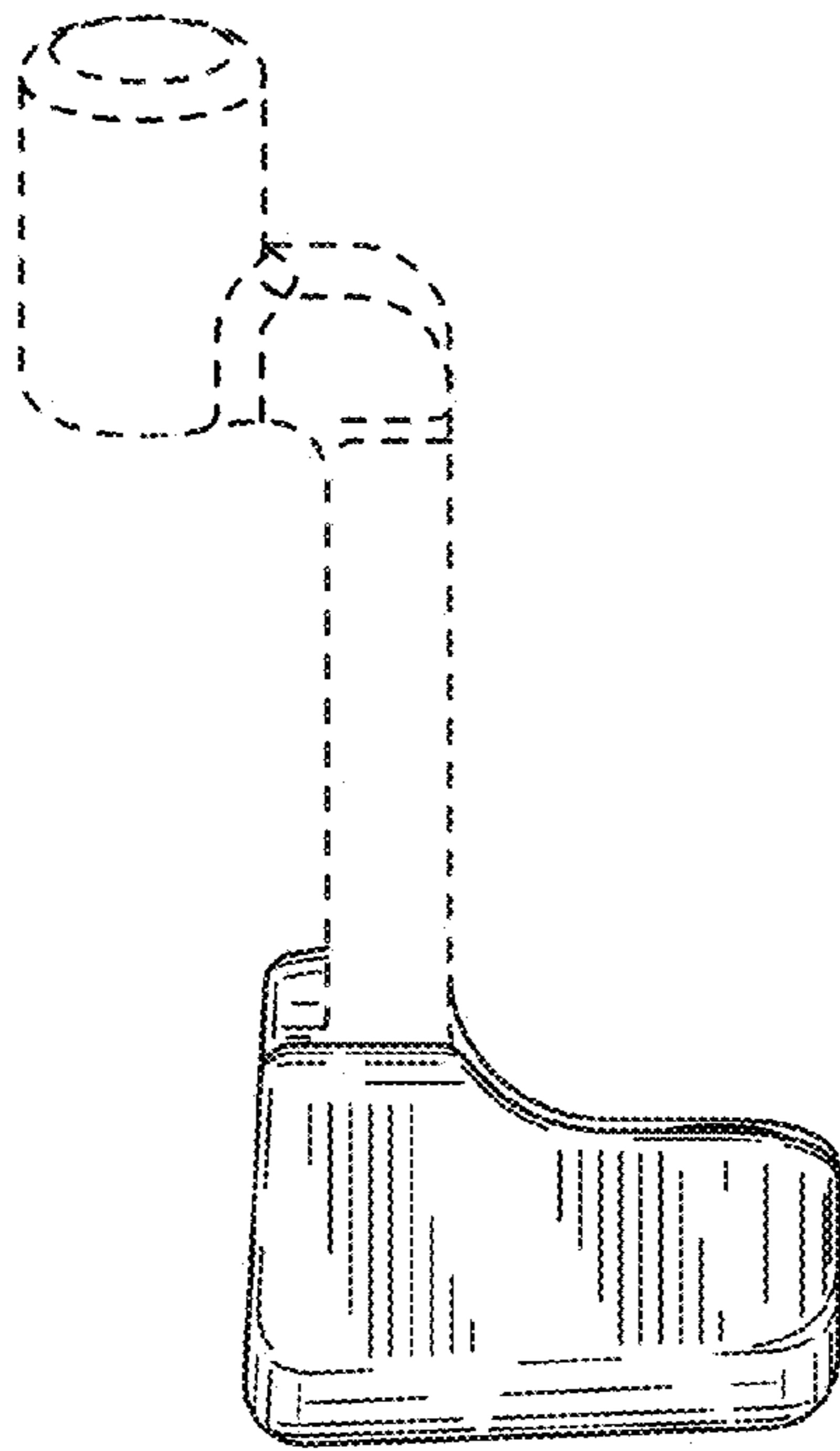


FIG. 7

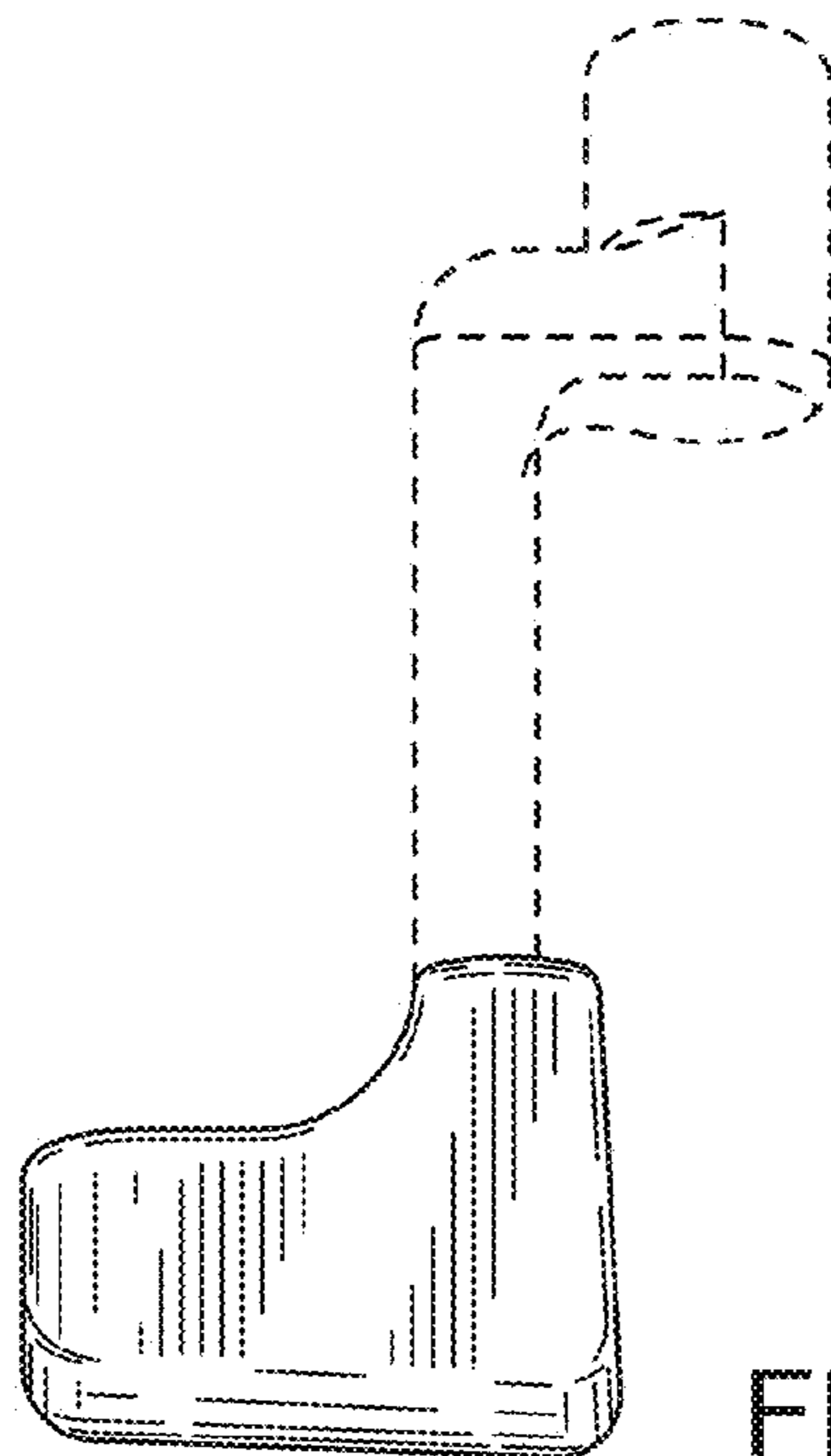


FIG. 8

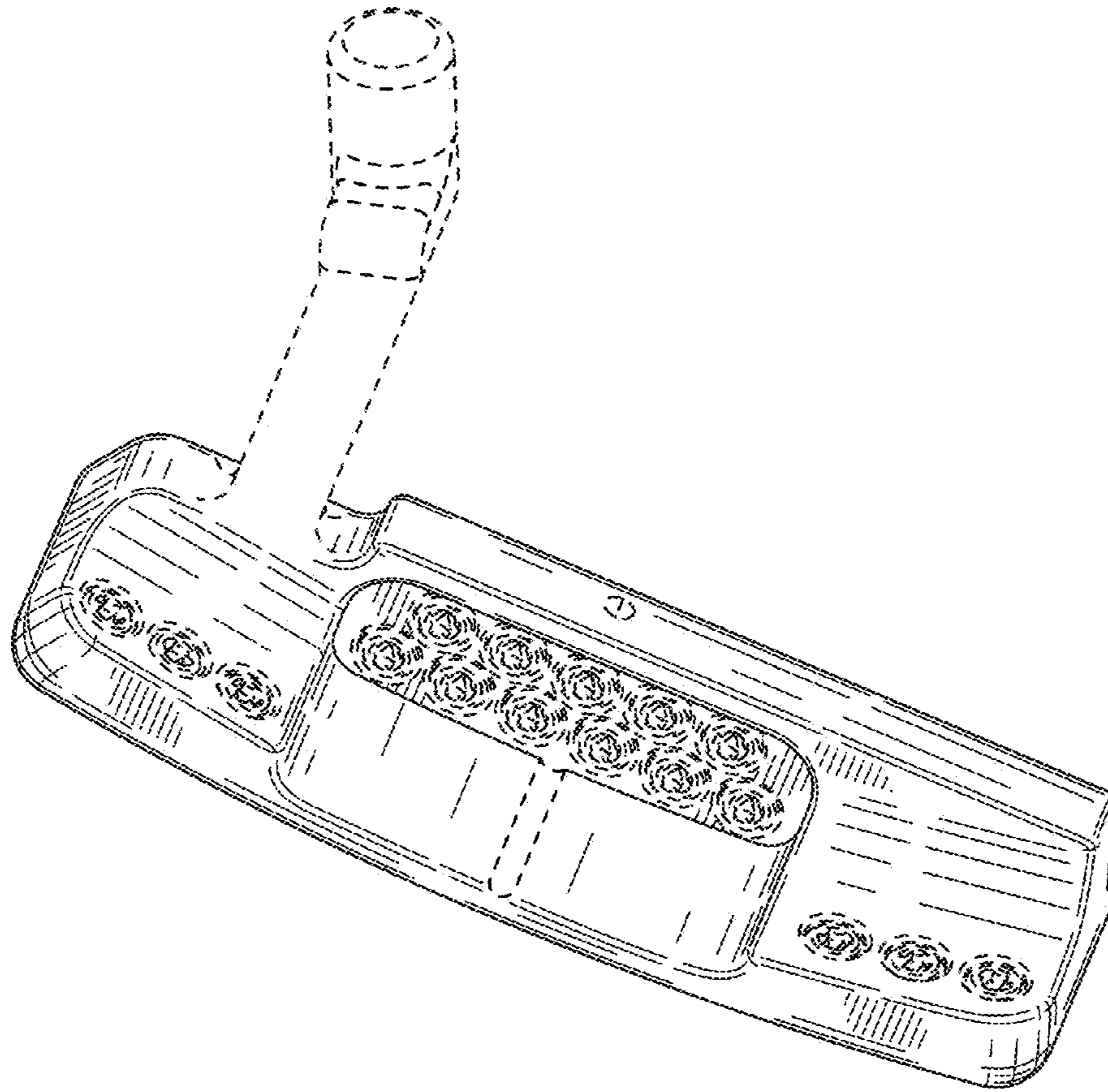


FIG. 9

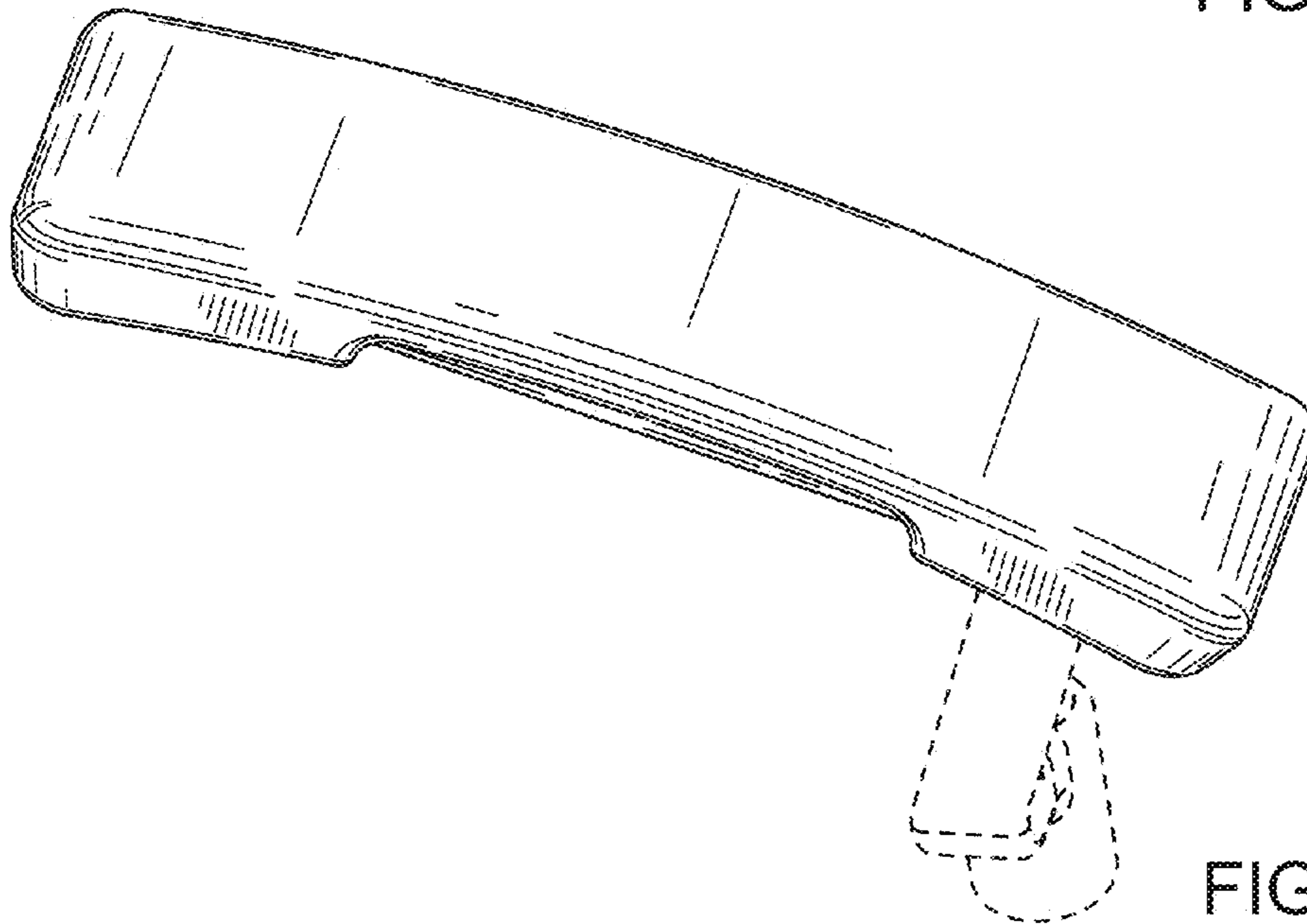


FIG. 10

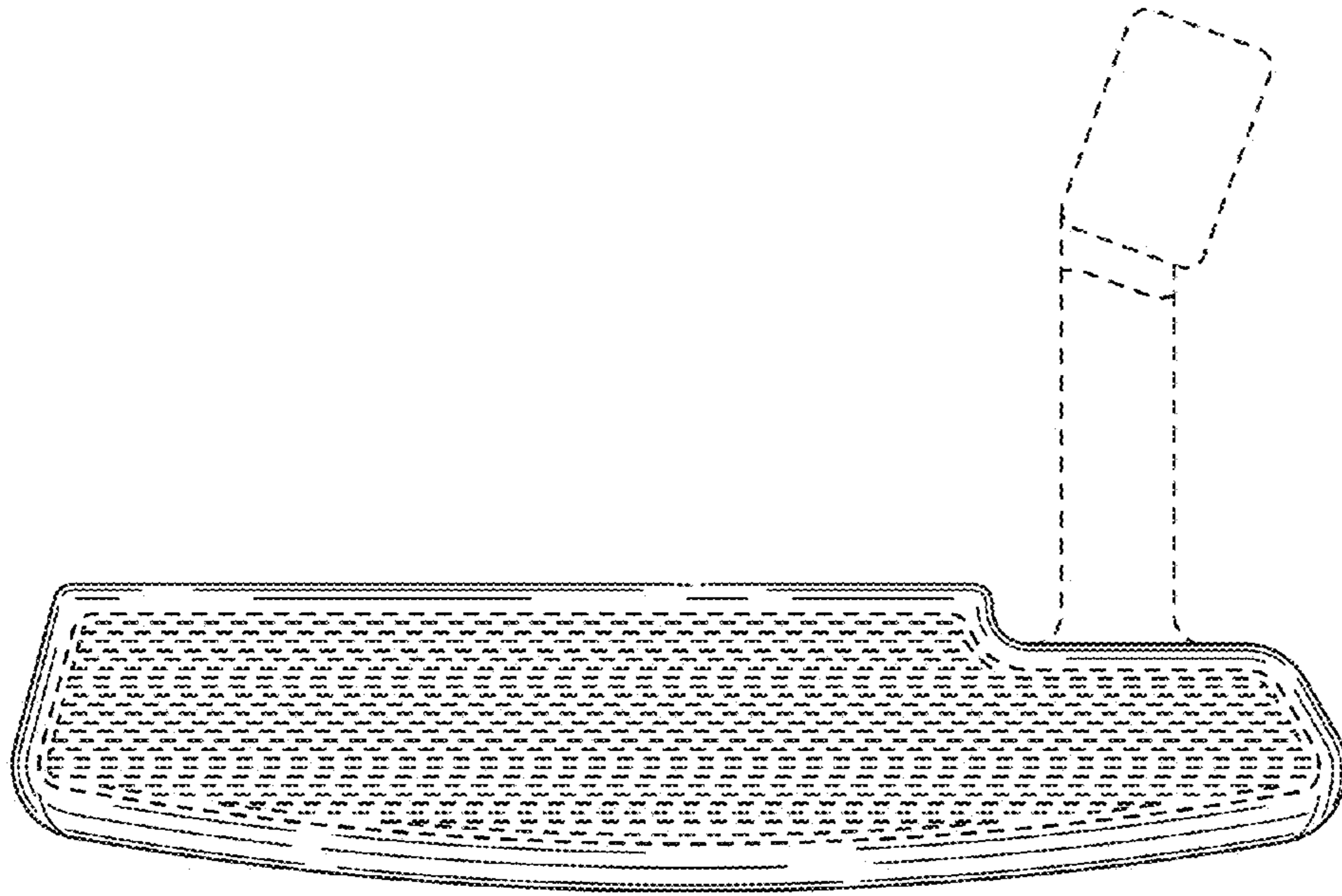


FIG. 11

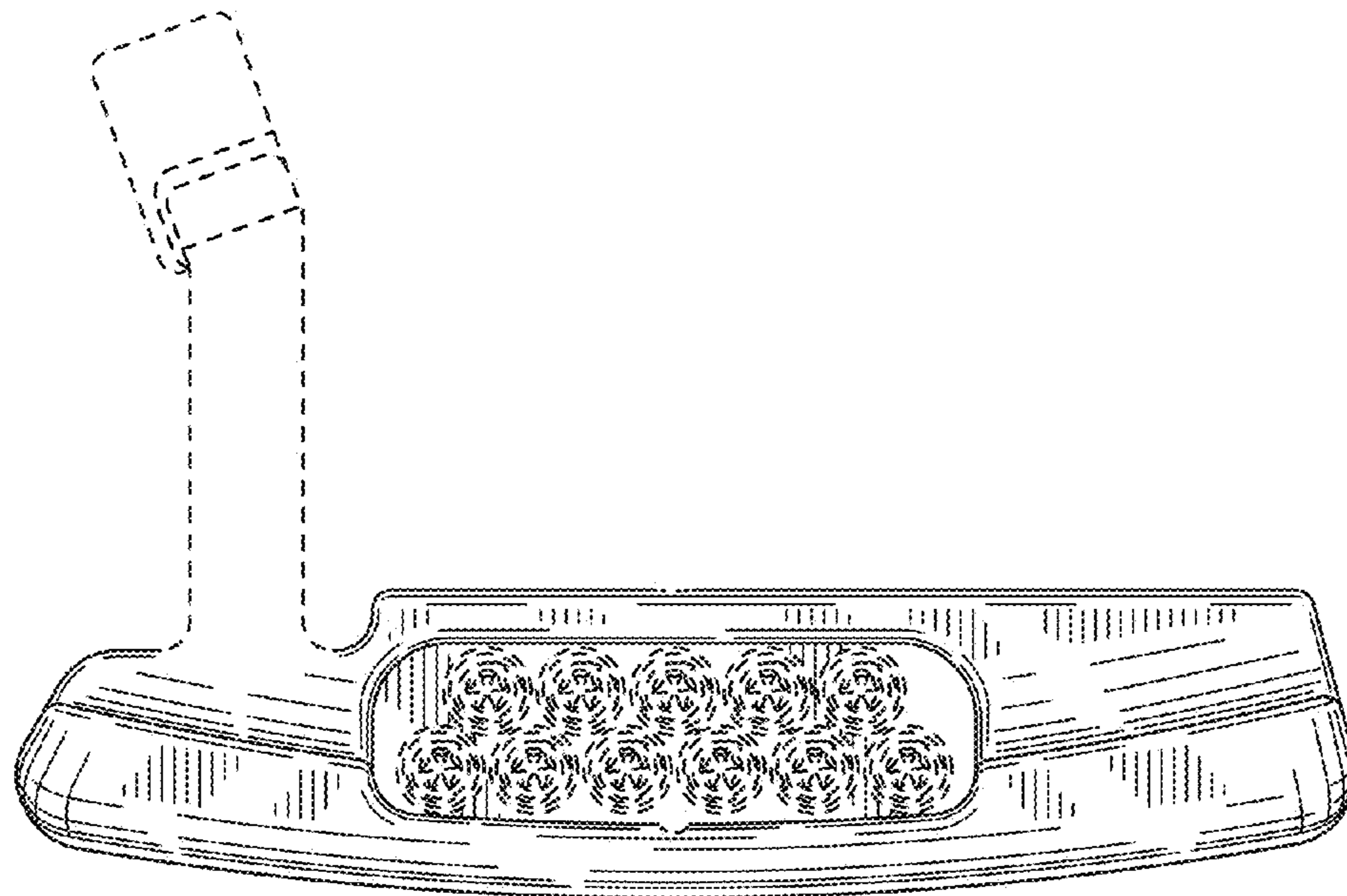


FIG. 12

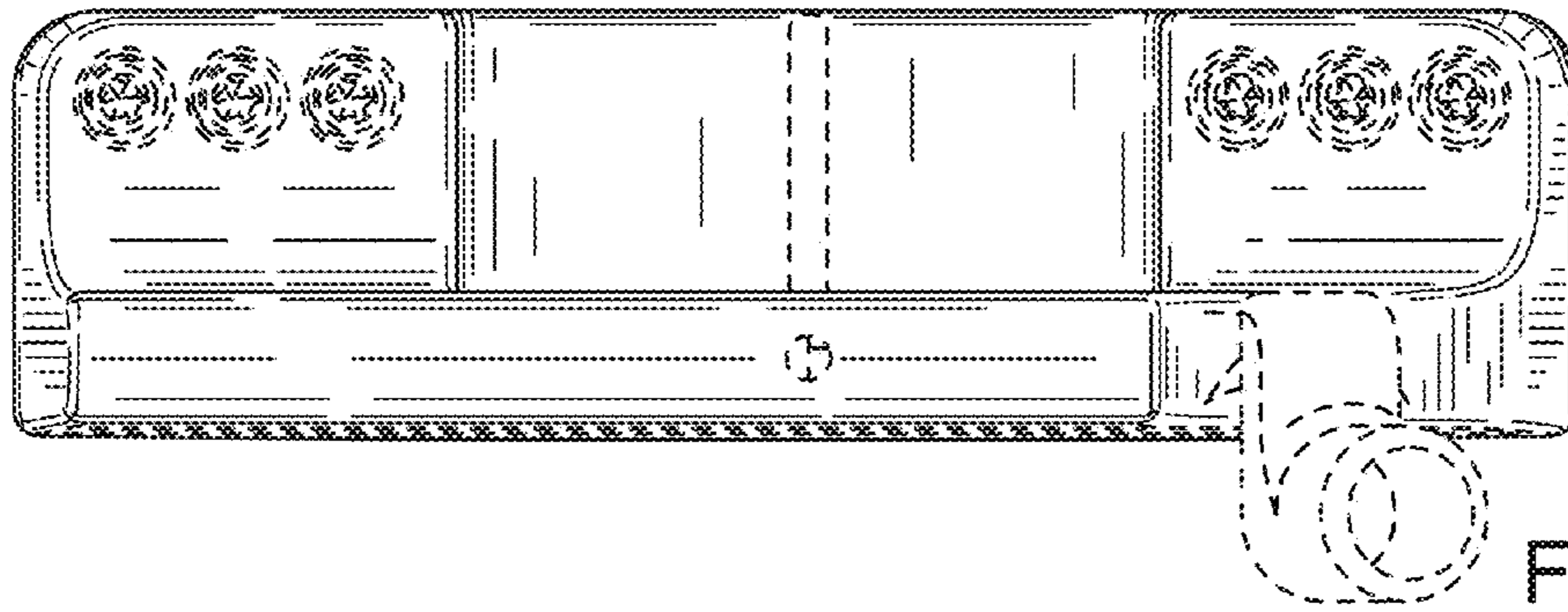


FIG. 13

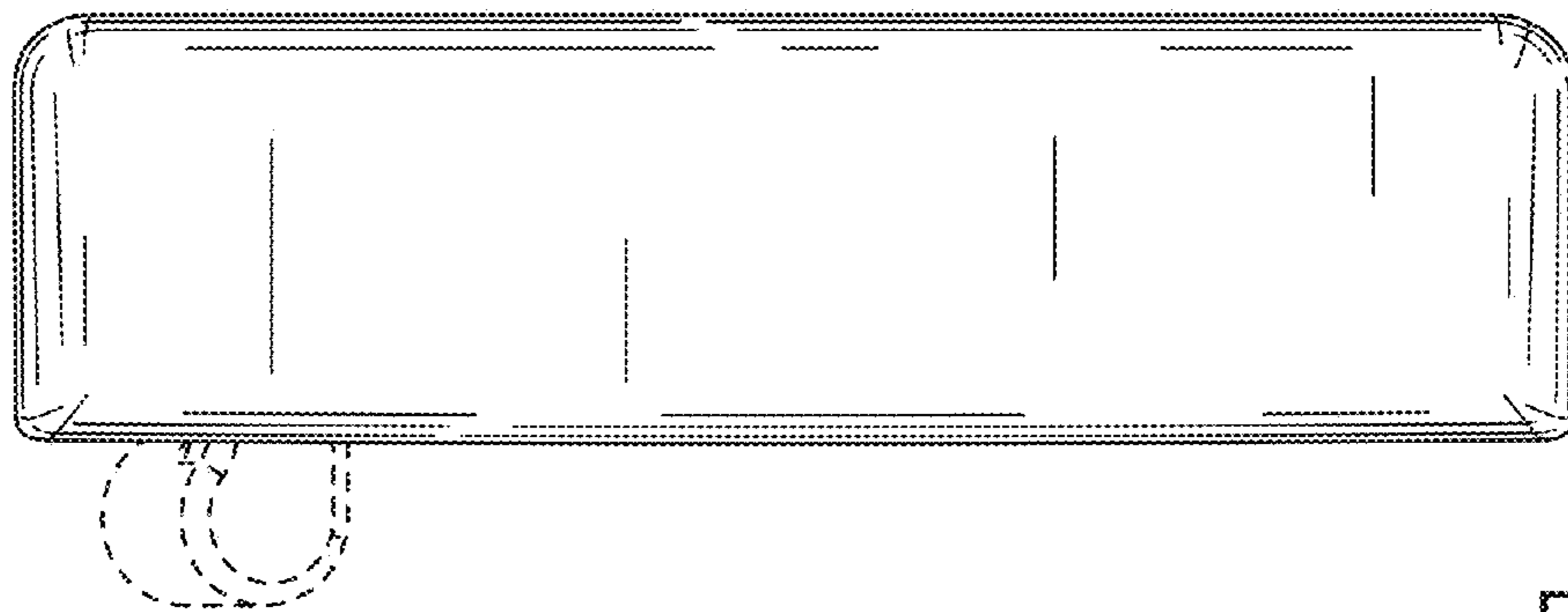


FIG. 14

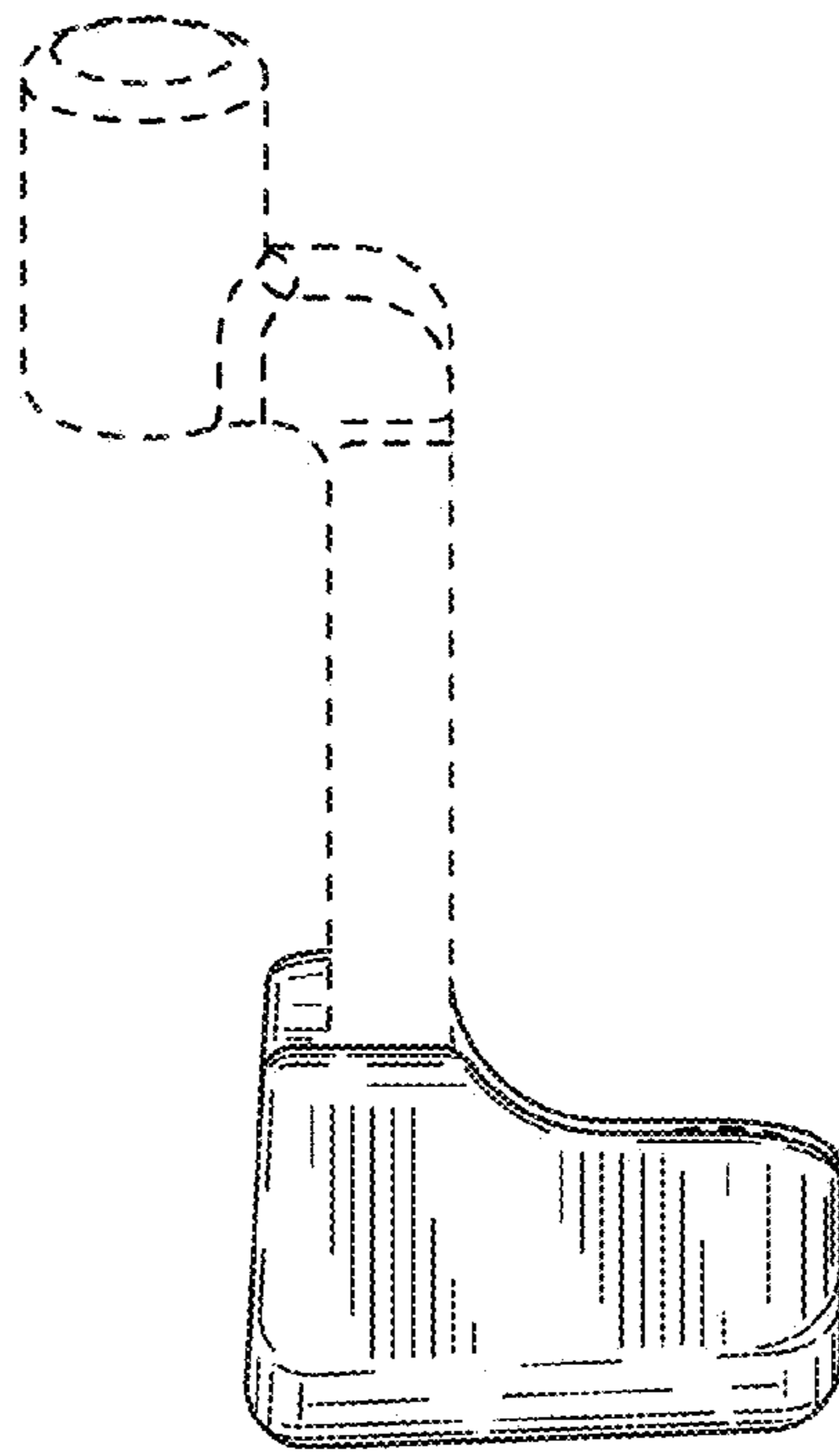


FIG. 15

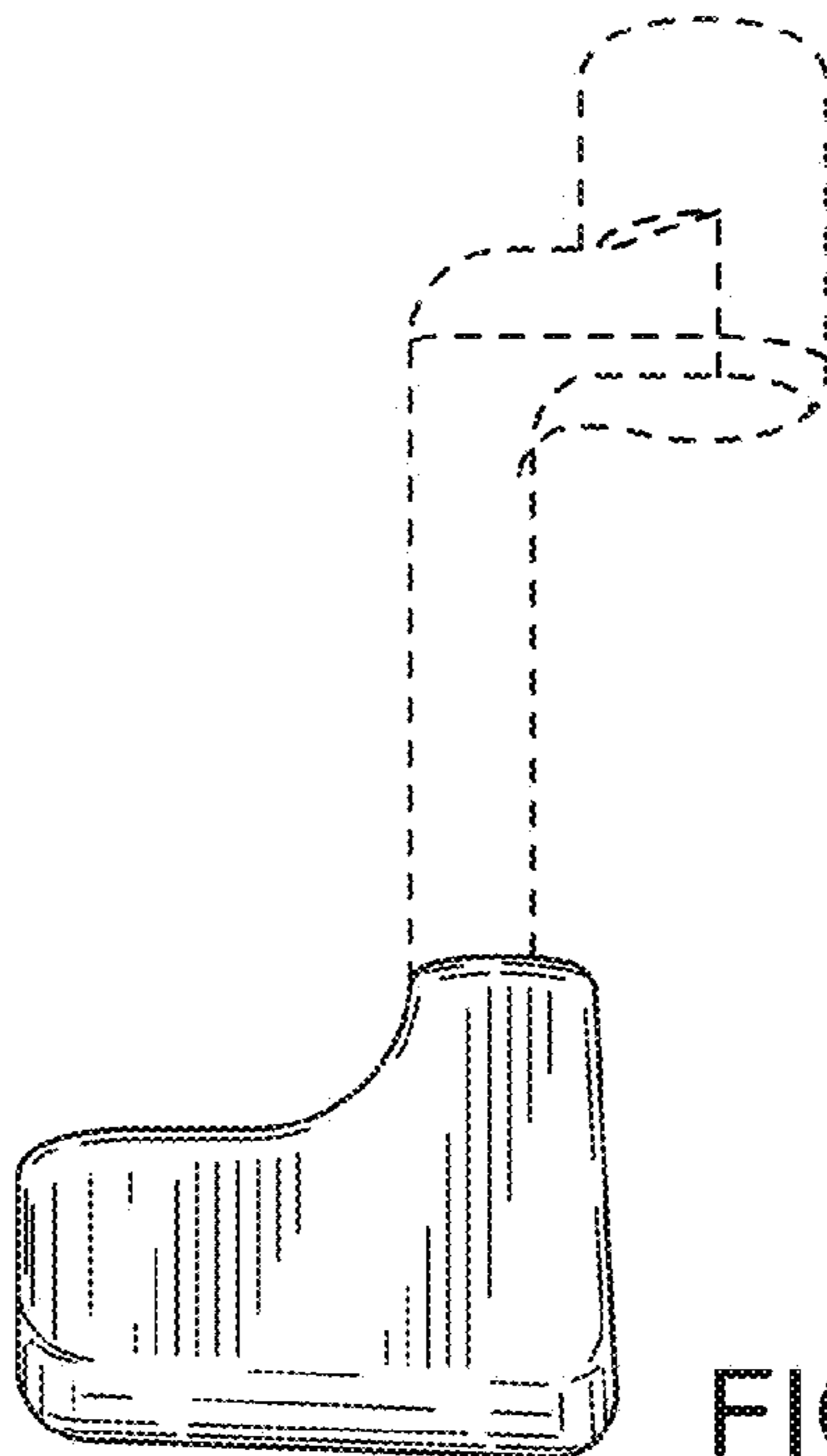


FIG. 16