



US00D741424S

(12) **United States Design Patent**
Dastrup

(10) **Patent No.:** **US D741,424 S**
(45) **Date of Patent:** **** Oct. 20, 2015**

- (54) **GOLF TEE**
- (71) Applicant: **David Dastrup**, Escondido, CA (US)
- (72) Inventor: **David Dastrup**, Escondido, CA (US)
- (**) Term: **14 Years**
- (21) Appl. No.: **29/511,367**
- (22) Filed: **Dec. 10, 2014**
- (51) **LOC (10) Cl.** **21-02**
- (52) **U.S. Cl.**
USPC **D21/718**
- (58) **Field of Classification Search**
USPC D21/717-721, 789-796; 473/386-406
CPC .. A63B 57/00; A63B 57/005; A63B 57/0012;
A63B 57/0018; A63B 57/0031; A63B
57/0075; A63B 2057/0025
See application file for complete search history.

6,010,413 A	1/2000	Pan-Chung	
6,053,822 A	4/2000	Kolodney et al.	
6,062,990 A	5/2000	Pierce	
6,139,449 A	10/2000	Cardarelli	
6,344,003 B1	2/2002	Choung	
D485,317 S	1/2004	Cardarelli	
D488,525 S	4/2004	Cardarelli	
D511,193 S	11/2005	Trawoger	
D516,146 S	2/2006	Iacono et al.	
D533,241 S	12/2006	Calhoon et al.	
D542,366 S	5/2007	Iacono	
D559,926 S *	1/2008	Wood	D21/718
D565,136 S	3/2008	Gies	
D573,210 S	7/2008	Gies	
D586,411 S	2/2009	Iacono	
D603,005 S	10/2009	Steinhobel	

(Continued)

FOREIGN PATENT DOCUMENTS

KR 2012000705 U * 2/2012

Primary Examiner — Catherine Tuttle

(74) *Attorney, Agent, or Firm* — The Law Office of Jane K. Babin, Professional Corporation; Jane K. Babin

(56) **References Cited**

U.S. PATENT DOCUMENTS

1,638,527 A *	8/1927	Clausing	473/402
1,644,979 A *	10/1927	Clausing	473/402
2,018,146 A *	10/1935	Penny	473/402
2,128,049 A *	8/1938	Karkoska	473/257
2,455,705 A *	12/1948	Seager	473/402
D252,712 S *	8/1979	Bradley	D21/717
4,783,077 A	11/1988	Lemon	
4,951,945 A *	8/1990	Gamble	473/400
D315,766 S	3/1991	Lemon	
D326,129 S	5/1992	Hirschmann	
5,240,254 A *	8/1993	Adlam	473/257
5,437,448 A *	8/1995	Balson	473/257
D369,845 S	5/1996	Knez	
D393,301 S	4/1998	Koskela	
5,759,118 A	6/1998	Sroczynski	

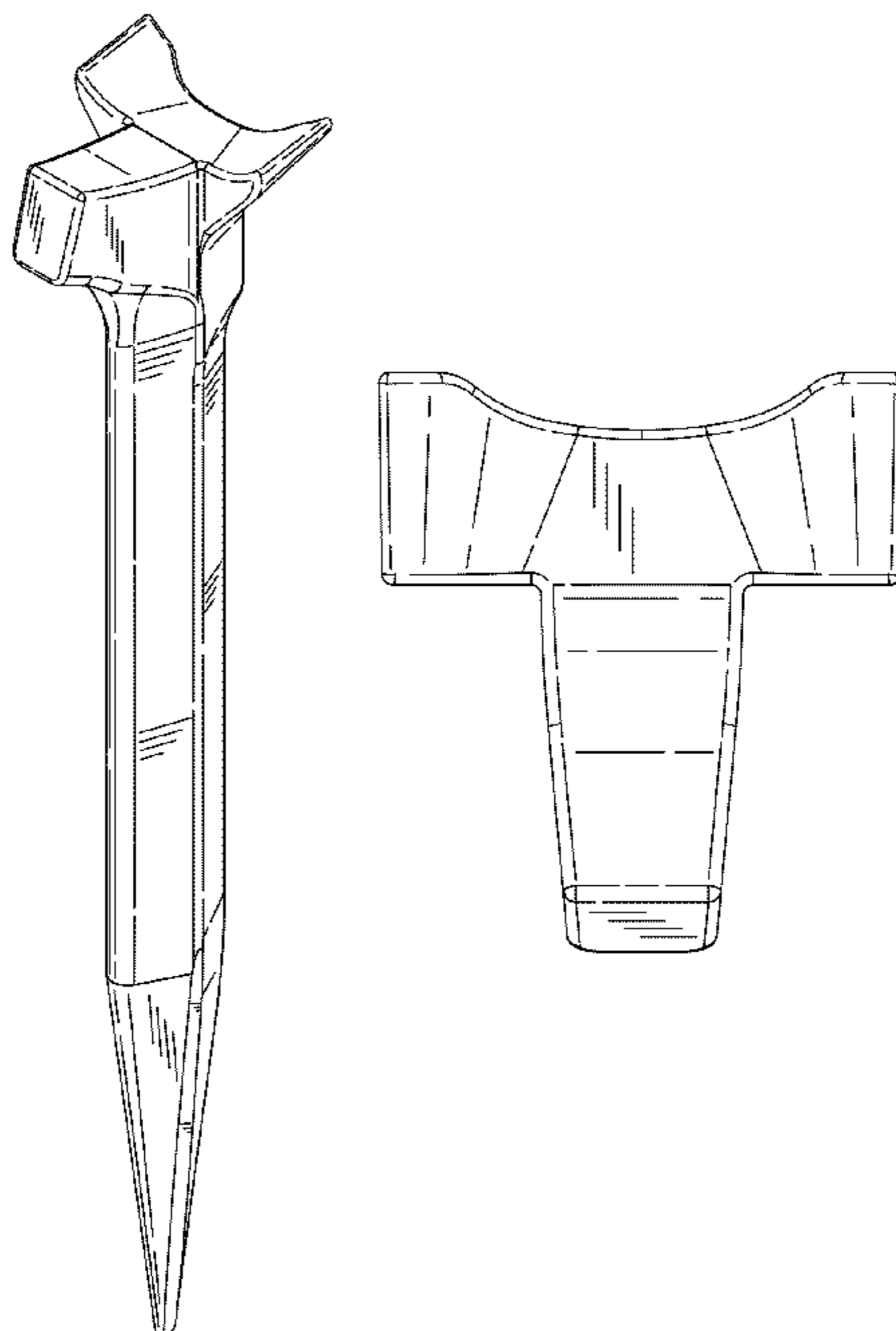
(57) **CLAIM**

The ornamental design for a golf tee, as shown and described.

DESCRIPTION

FIG. 1 is a front perspective view of a golf tee.
 FIG. 2 is a rear perspective view of the golf tee of FIG. 1.
 FIG. 3 is a front view of the golf tee of FIG. 1.
 FIG. 4 is a back view of the golf tee of FIG. 1.
 FIG. 5 is side view of the left side of the golf tee of FIG. 1, the right side being a mirror image view of the left side.
 FIG. 6 is a bottom view of the golf tee of FIG. 1; and,
 FIG. 7 is a top view of the golf tee of FIG. 1.

1 Claim, 5 Drawing Sheets



(56)

References Cited

U.S. PATENT DOCUMENTS

D604,375 S 11/2009 Steinhobel
D605,713 S 12/2009 Chudy
D610,640 S 2/2010 Steinhobel
7,704,166 B2 4/2010 Lim
D651,266 S 12/2011 Swagel et al.
D659,209 S 5/2012 Bowen
D659,210 S 5/2012 Bowen

D659,211 S 5/2012 Bowen
D675,269 S 1/2013 Cardarelli
D675,689 S 2/2013 Cardarelli
8,435,130 B2* 5/2013 Cheresko 473/257
8,435,139 B2 5/2013 Whitehouse
D695,861 S 12/2013 MacKeen
D715,877 S 10/2014 Carroll et al.
2008/0020868 A1* 1/2008 Palmer 473/409
2010/0216576 A1* 8/2010 Sanders 473/387

* cited by examiner

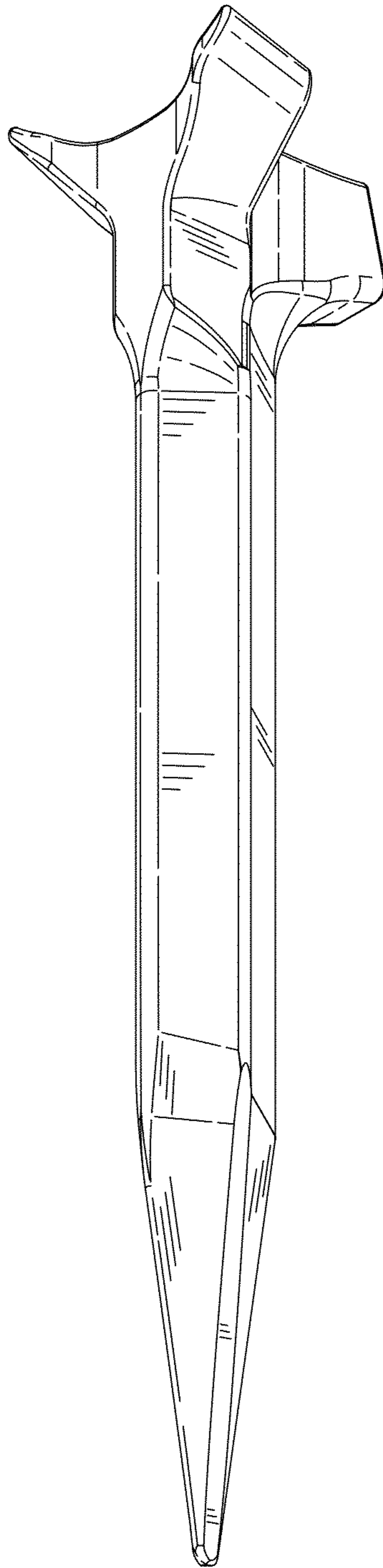


FIG. 1

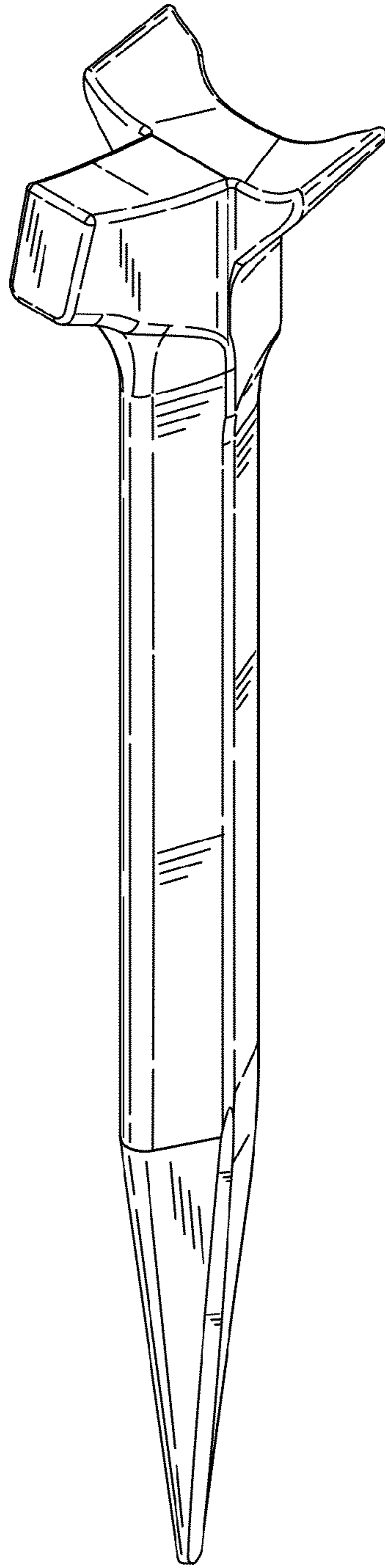


FIG. 2

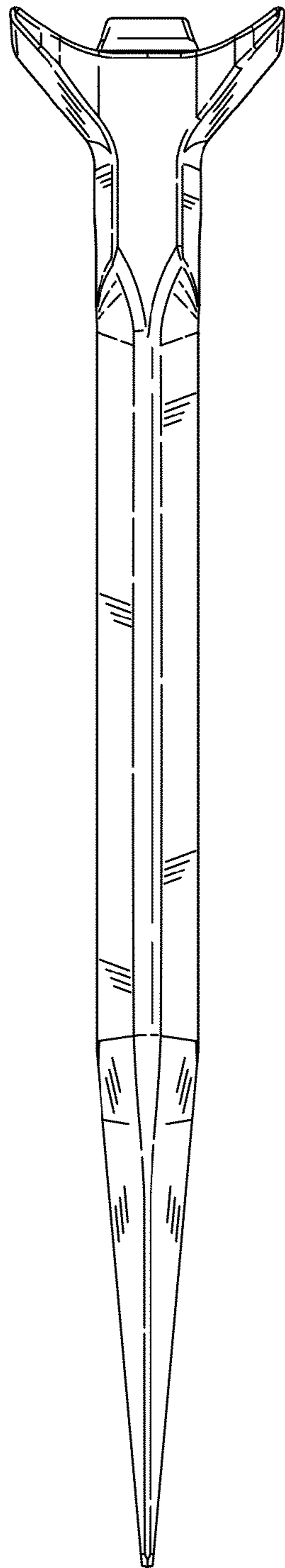


FIG. 3

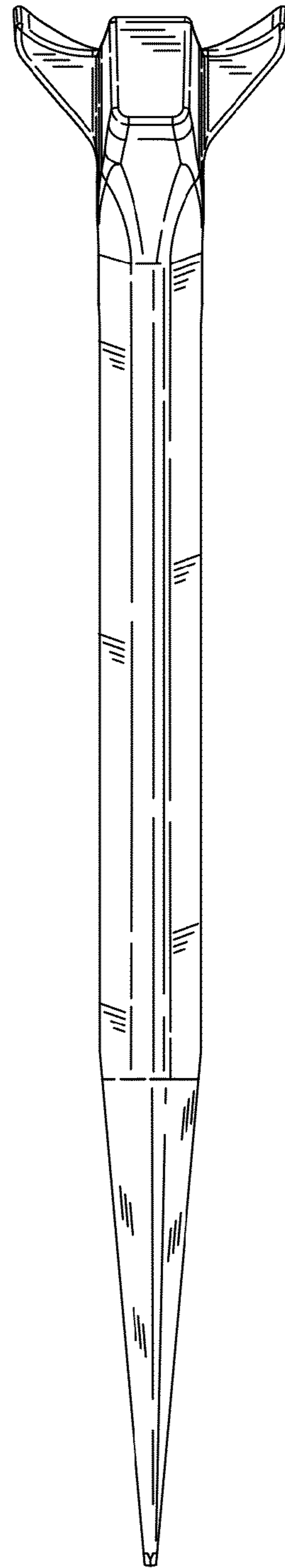


FIG. 4

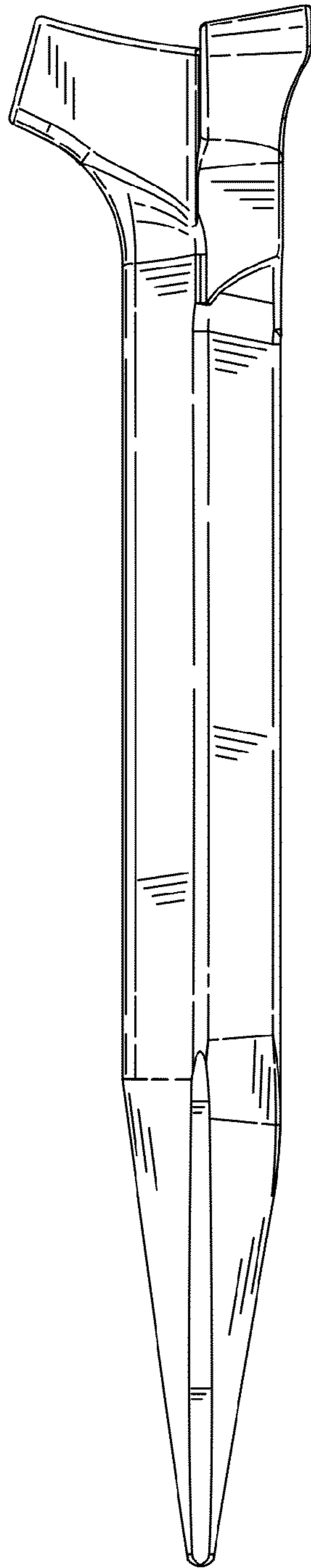


FIG. 5

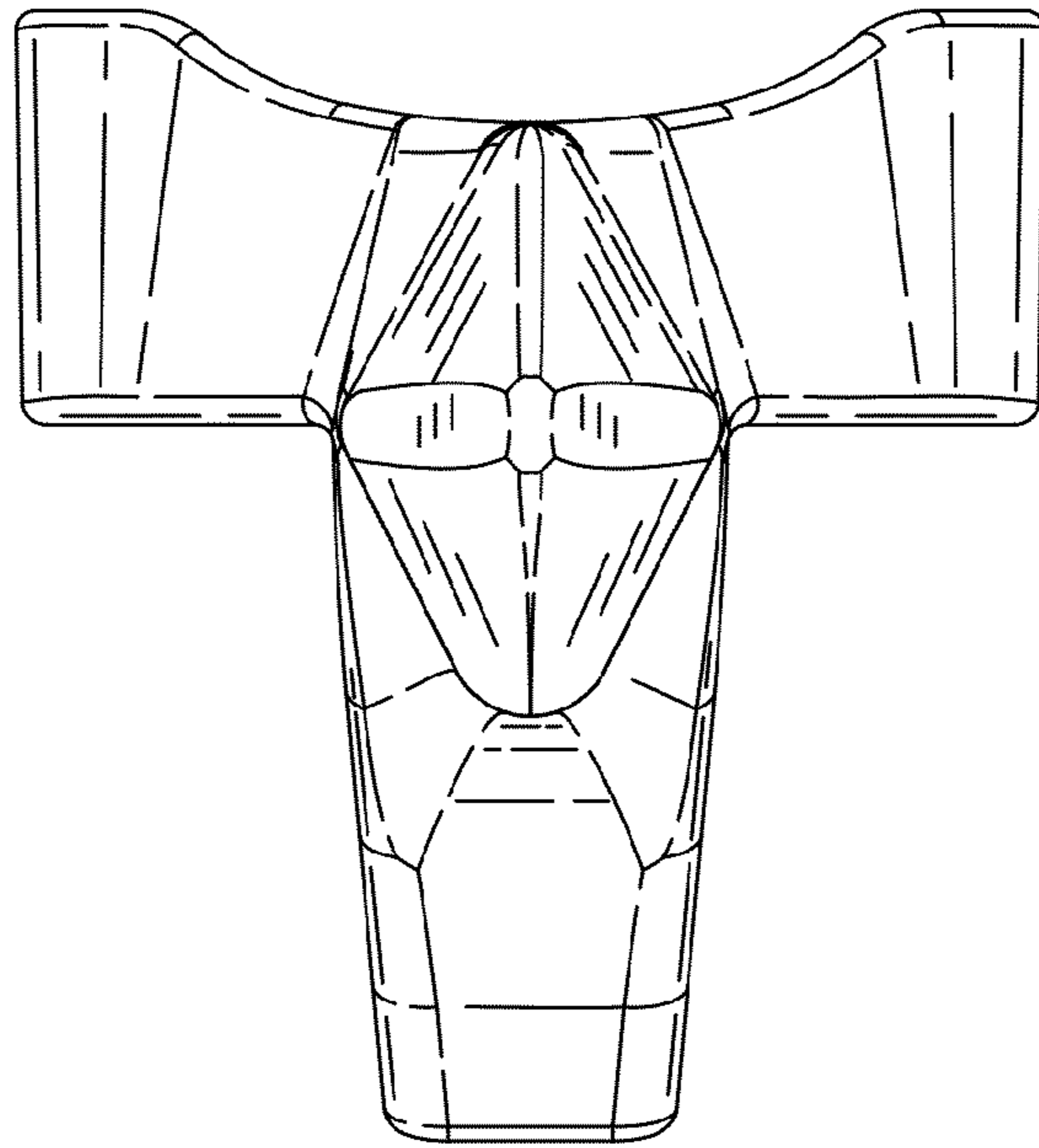


FIG. 6

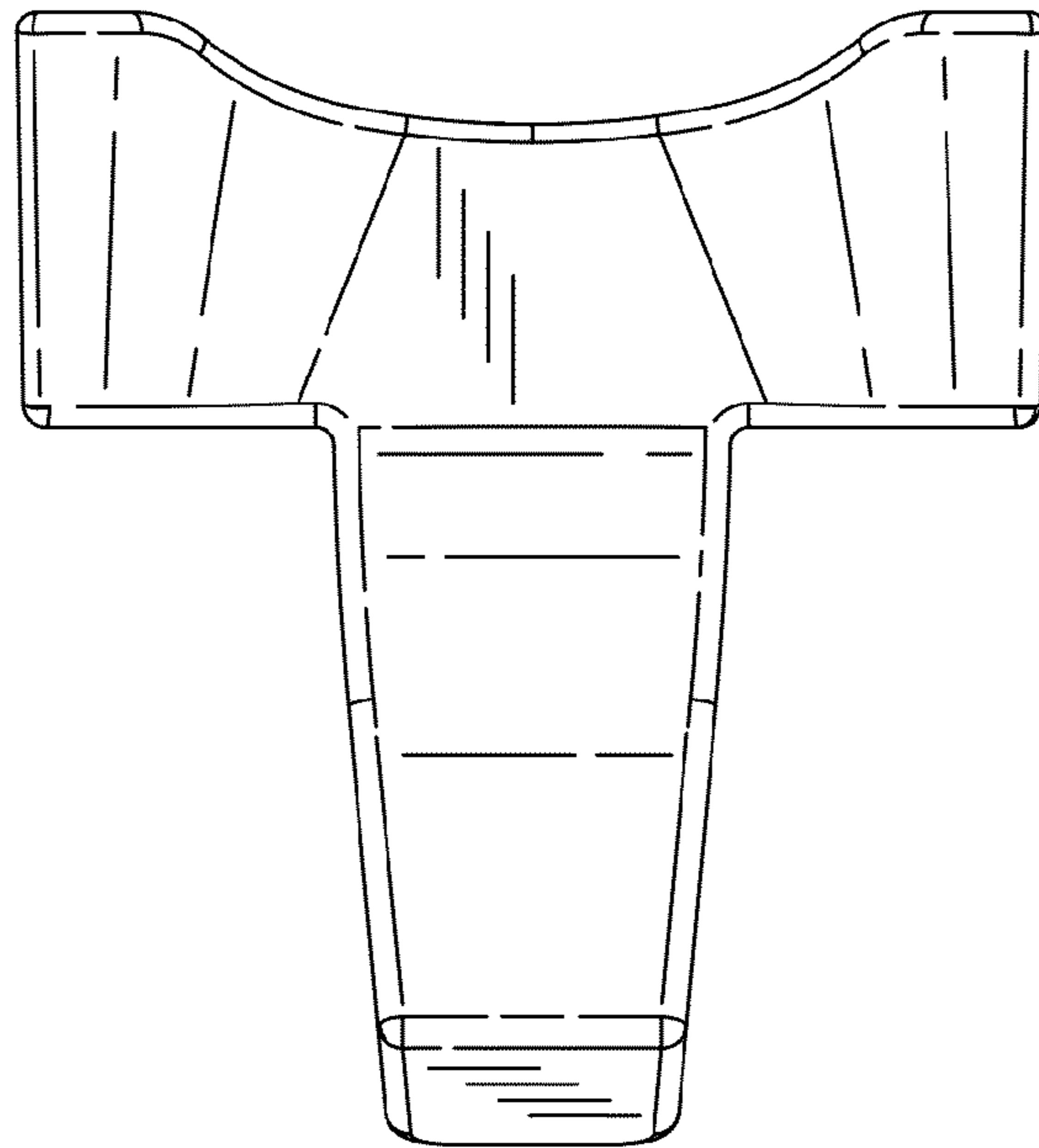


FIG. 7