



US00D741421S

(12) **United States Design Patent**  
**Ho et al.**

(10) **Patent No.:** **US D741,421 S**  
(45) **Date of Patent:** **\*\* Oct. 20, 2015**

- (54) **ABDOMINAL EXERCISER BENCH**
- (71) Applicants: **Wei-Teh Ho**, Taipei (TW); **Willy Wei Yu Ho**, Taipei (TW)
- (72) Inventors: **Wei-Teh Ho**, Taipei (TW); **Willy Wei Yu Ho**, Taipei (TW)
- (\*\*) Term: **14 Years**
- (21) Appl. No.: **29/508,540**
- (22) Filed: **Nov. 7, 2014**

**Related U.S. Application Data**

- (63) Continuation-in-part of application No. 29/491,763, filed on May 23, 2014, now Pat. No. Des. 730,457.
- (51) **LOC (10) Cl.** ..... **21-02**
- (52) **U.S. Cl.**  
USPC ..... **D21/687**
- (58) **Field of Classification Search**  
USPC ..... 482/142, 122, 115, 108, 145, 140, 105, 482/111, 123, 121, 126, 141, 143, 148, 106, 482/130, 129, 132, 96, 131, 133, 124, 110, 482/127, 72, 147, 51, 71, 139, 97, 92, 137, 482/98, 1, 907, 95, 112; 206/315.1, 45.2; D21/687, 662, 690, 676, 423, 691, D21/686; 273/449; 472/103; 297/259.1, 297/16.1, 175, 445.1, 353; 446/482; 607/48, 149, 77, 148; 140/121, 122, 140/123, 124, 90; 601/24; D24/190; D6/601

See application file for complete search history.

(56) **References Cited**

**U.S. PATENT DOCUMENTS**

- 5,545,114 A 8/1996 Gvoich
- 5,599,261 A 2/1997 Easley et al.
- D379,483 S 5/1997 England et al.
- D381,378 S \* 7/1997 Colonello et al. .... D21/687
- D384,379 S \* 9/1997 Lin ..... D21/687

- 5,676,628 A 10/1997 Chen
- D385,930 S \* 11/1997 Chen ..... D21/687
- D390,290 S 2/1998 Van Der Hoeven et al.
- D393,891 S 4/1998 Van Der Hoeven et al.
- D400,953 S \* 11/1998 Huang ..... D21/687
- 5,871,425 A 2/1999 Gvoich
- D408,875 S 4/1999 Anderson
- 6,220,995 B1 4/2001 Chen
- 6,544,151 B2 4/2003 Tornabene
- D476,045 S 6/2003 Casey et al.
- D476,384 S \* 6/2003 Perez ..... D21/690
- D478,137 S 8/2003 Ho et al.
- D496,701 S \* 9/2004 Chung ..... D21/687
- 6,966,871 B2 \* 11/2005 Parmater ..... 482/140
- 7,357,764 B2 4/2008 Stearns
- D641,434 S 7/2011 Khubani
- 8,012,072 B2 9/2011 Forcillo et al.
- D649,205 S 11/2011 Zachary
- D703,280 S 4/2014 Ho et al.
- D719,224 S 12/2014 Ho et al.
- D727,440 S \* 4/2015 Ho et al. .... D21/681
- D728,709 S \* 5/2015 Ho et al. .... D21/687
- 2003/0130100 A1 7/2003 Perez
- 2004/0220027 A1 11/2004 Stearns

(Continued)

*Primary Examiner* — Robert M Spear

*Assistant Examiner* — Ryan Harvey

(74) *Attorney, Agent, or Firm* — Blakely Sokoloff Taylor & Zafman LLP

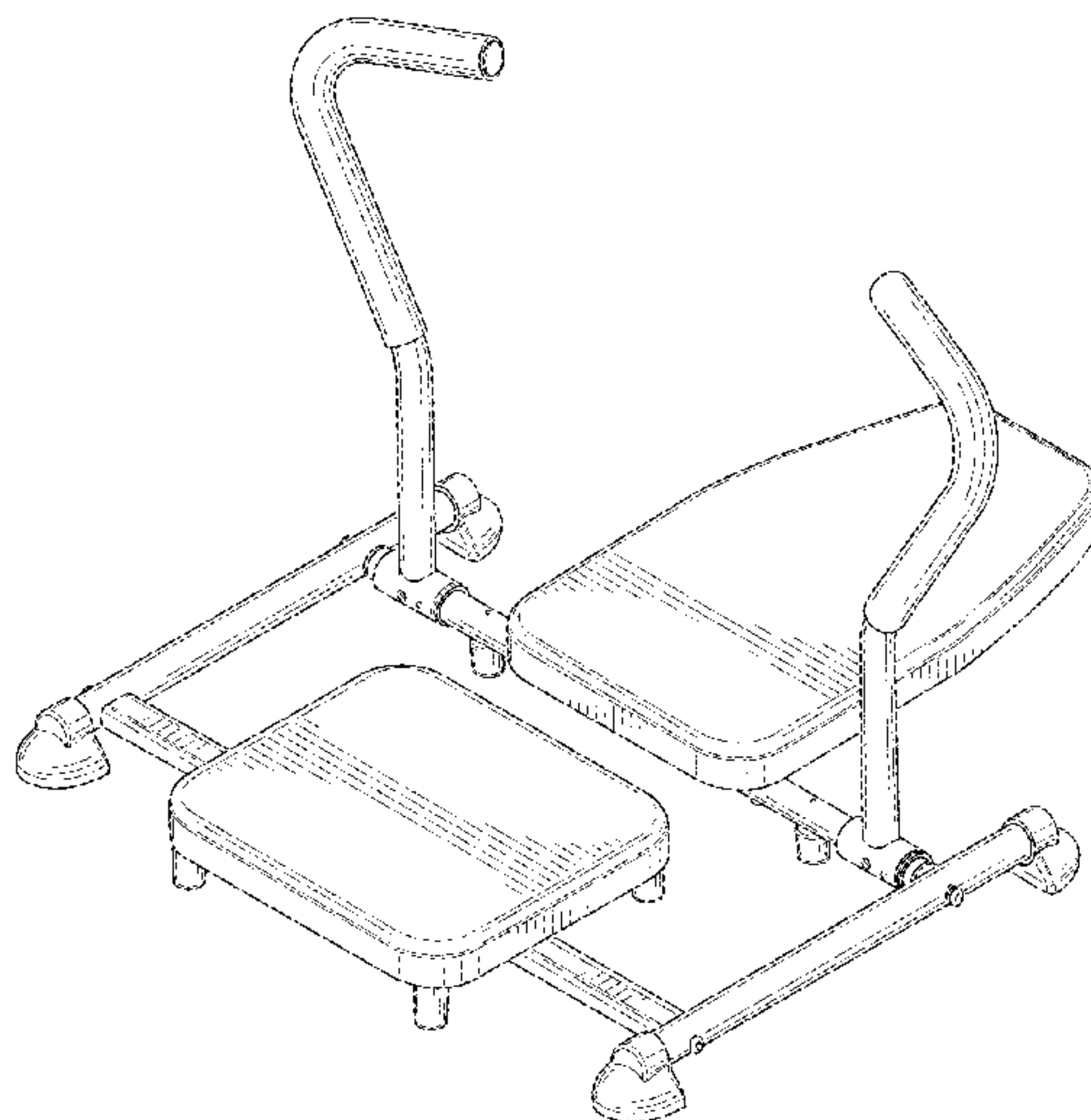
(57) **CLAIM**

The ornamental design for an abdominal exerciser bench, as shown and described.

**DESCRIPTION**

FIG. 1 is a perspective view showing the new design for an abdominal exerciser bench;  
 FIG. 2 is a front view thereof;  
 FIG. 3 is a rear view thereof;  
 FIG. 4 is a right side view thereof;  
 FIG. 5 is a left side view thereof;  
 FIG. 6 is a top view thereof; and,  
 FIG. 7 is a bottom view thereof.

**1 Claim, 7 Drawing Sheets**



(56)

**References Cited**

U.S. PATENT DOCUMENTS

2005/0130816 A1 6/2005 Huang  
2006/0166799 A1 7/2006 Boland et al.

2007/0259762 A1 11/2007 Ho  
2007/0281840 A1 12/2007 Tsai  
2014/0274616 A1 9/2014 Ho et al.  
2014/0274618 A1 9/2014 Ho et al.

\* cited by examiner

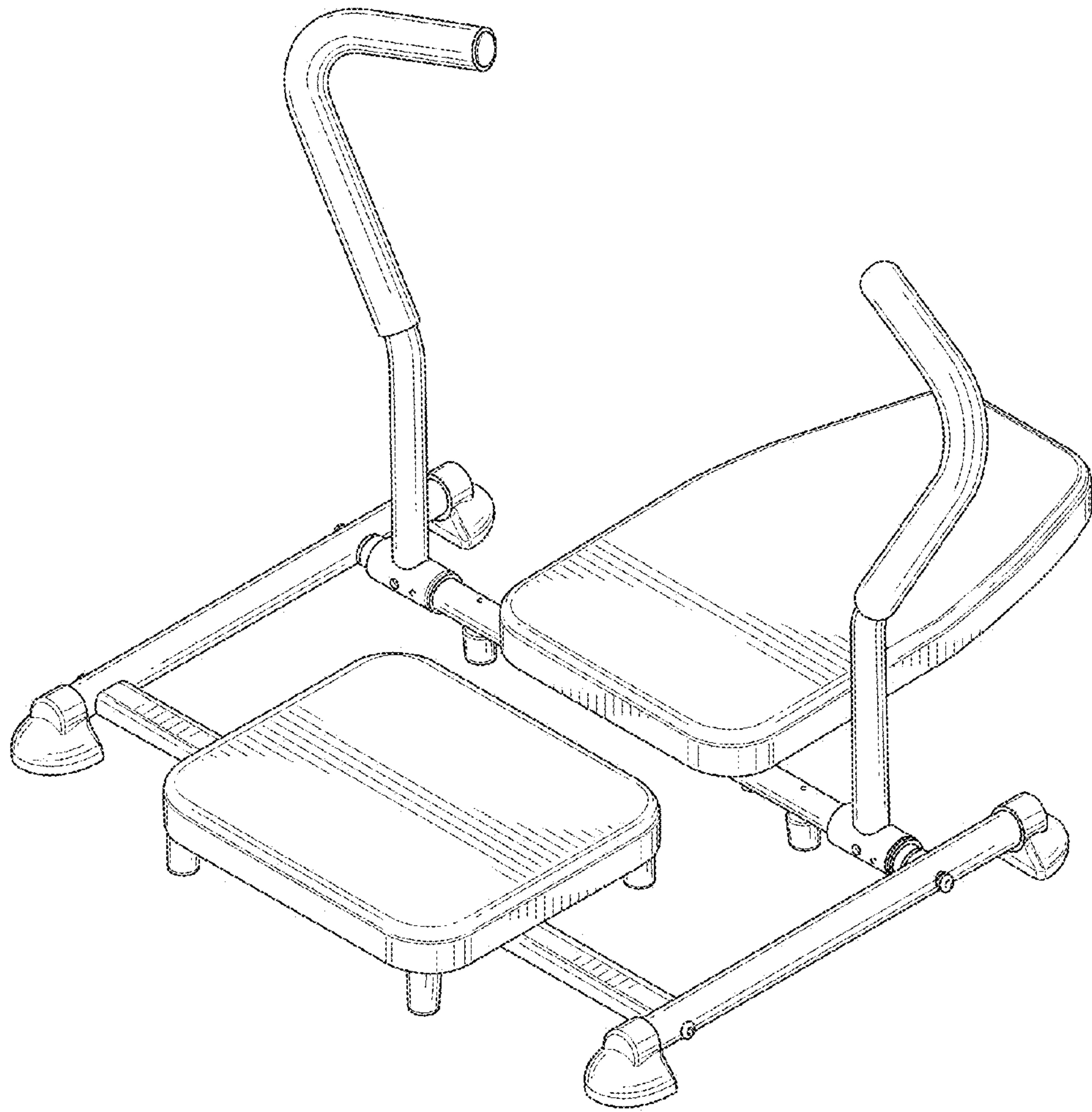


FIG. 1

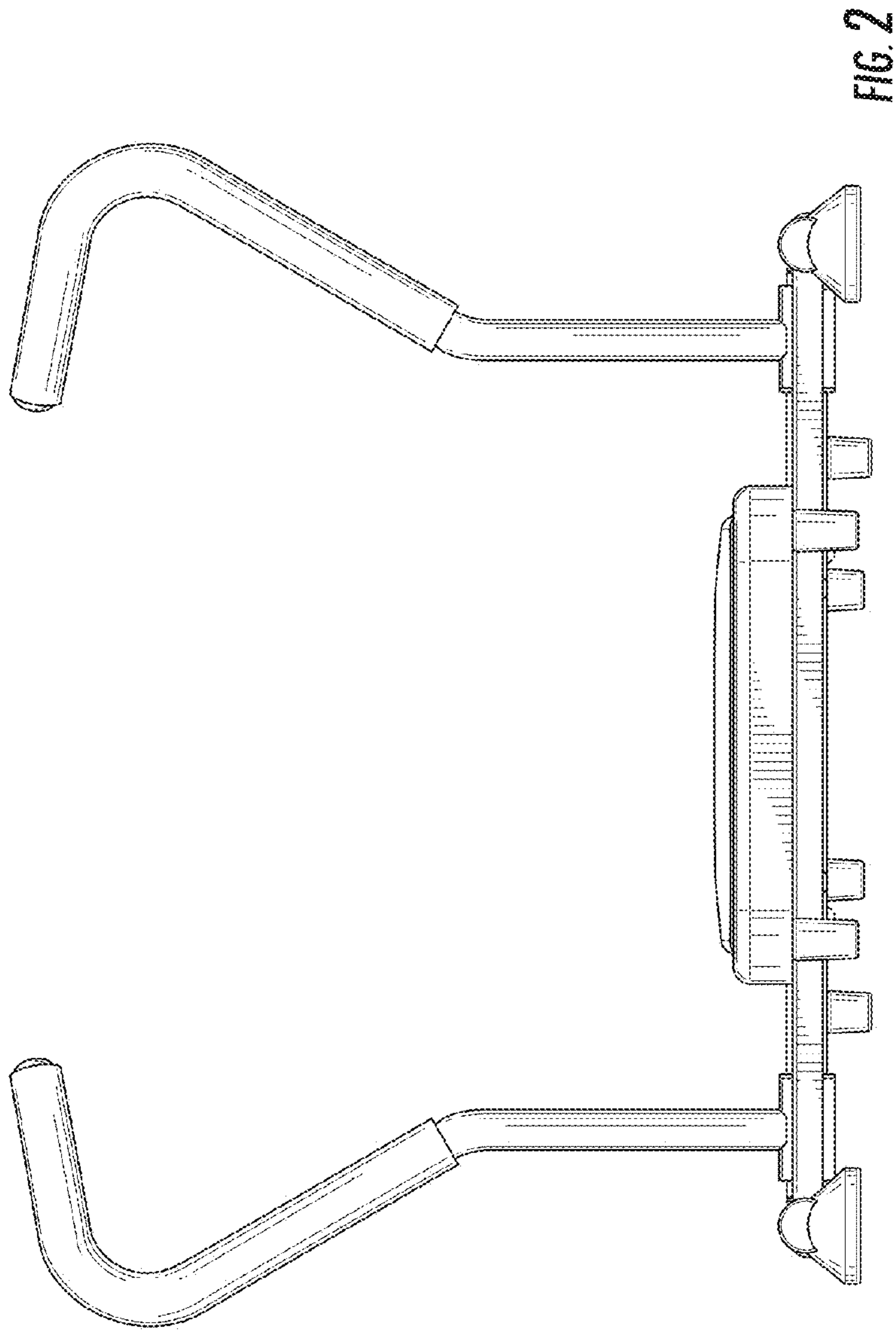
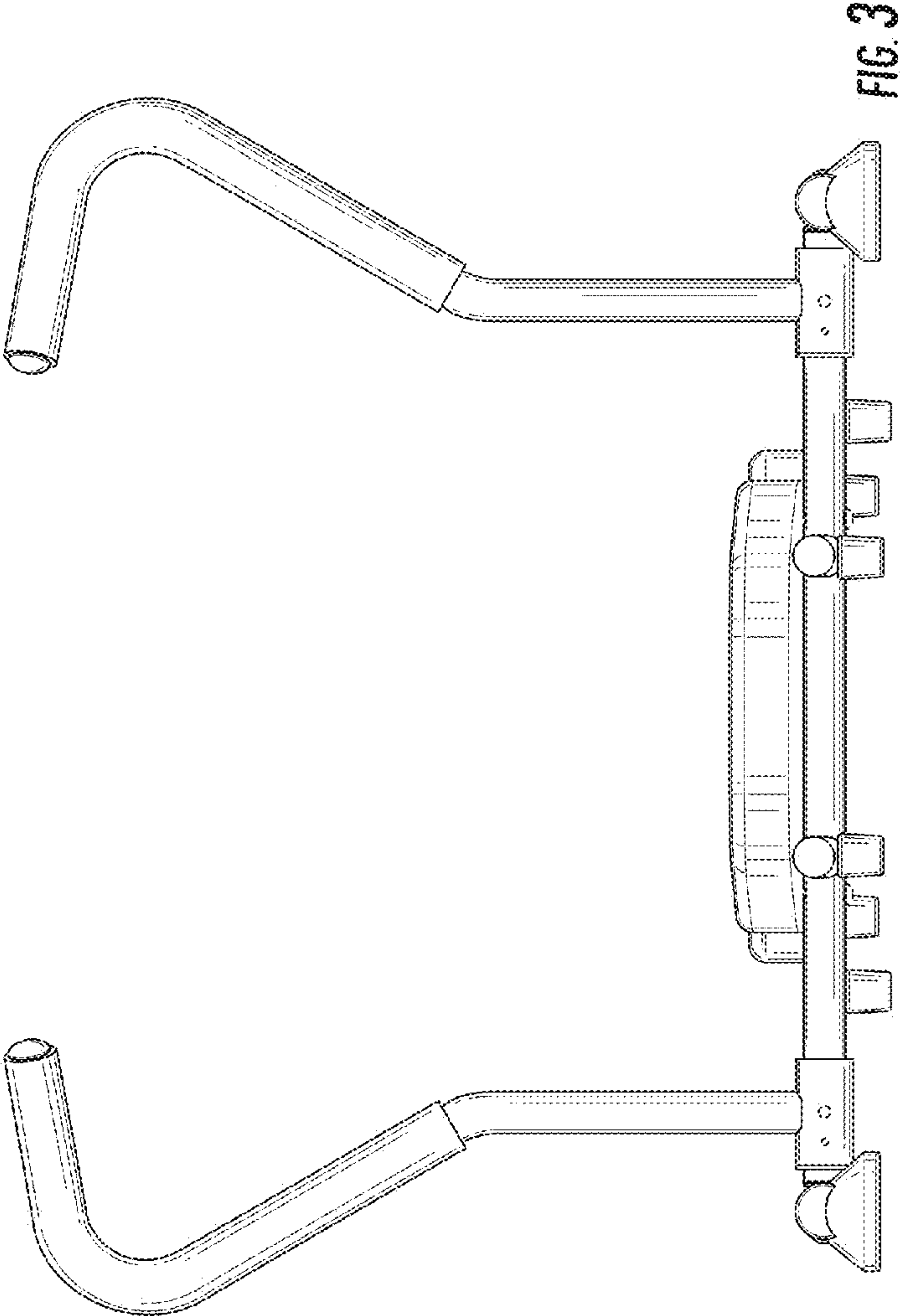


FIG. 2





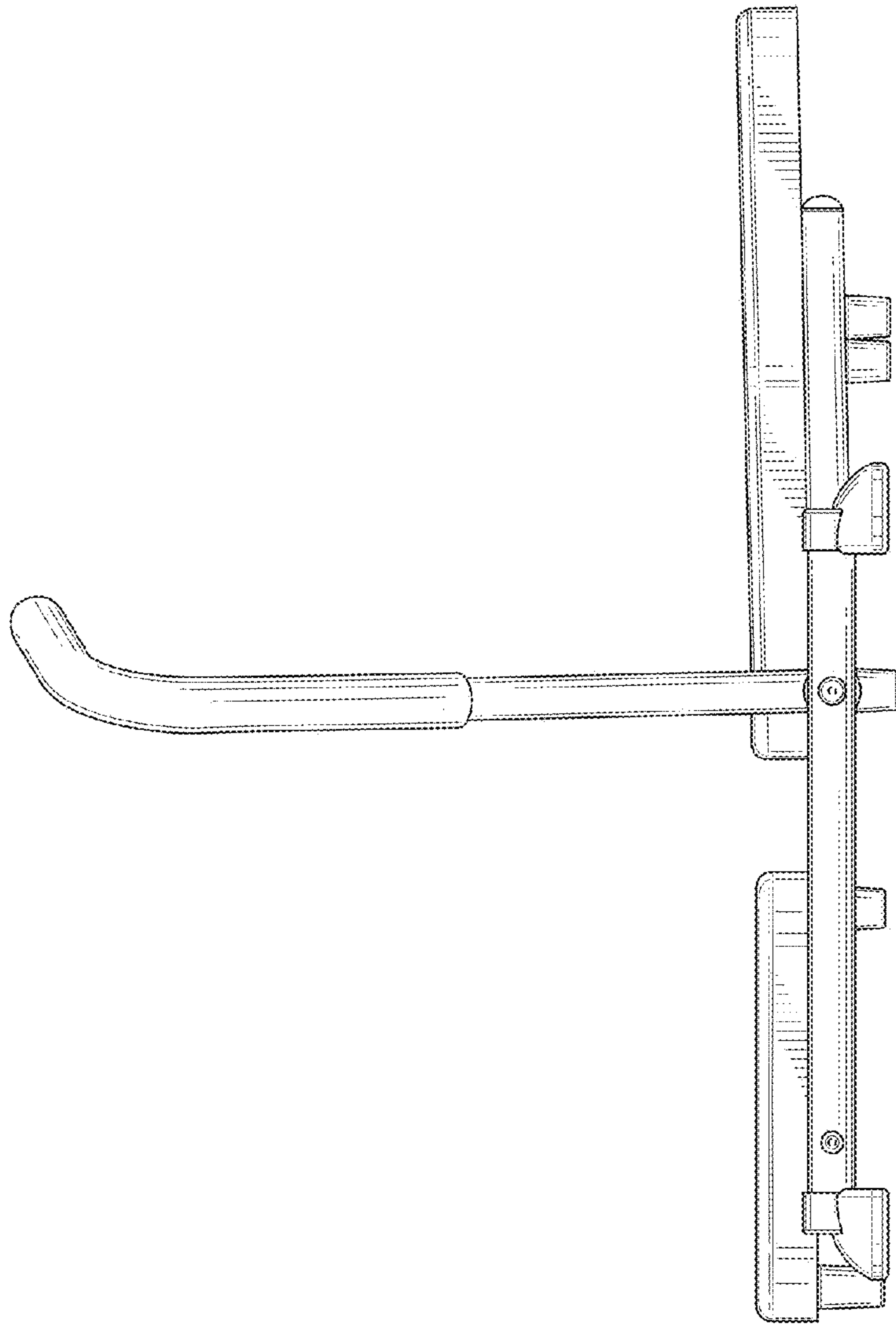


FIG. 4

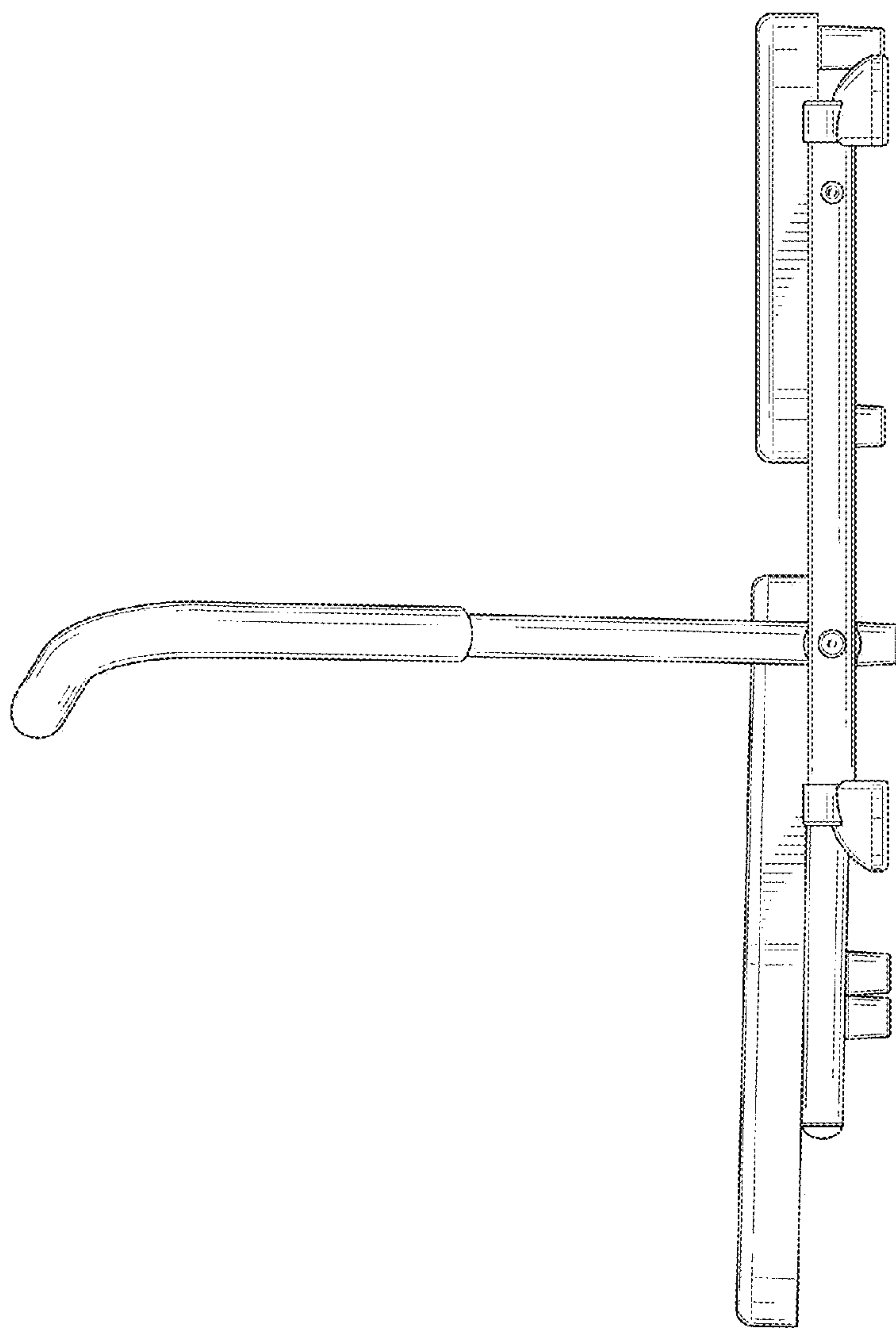


FIG. 5

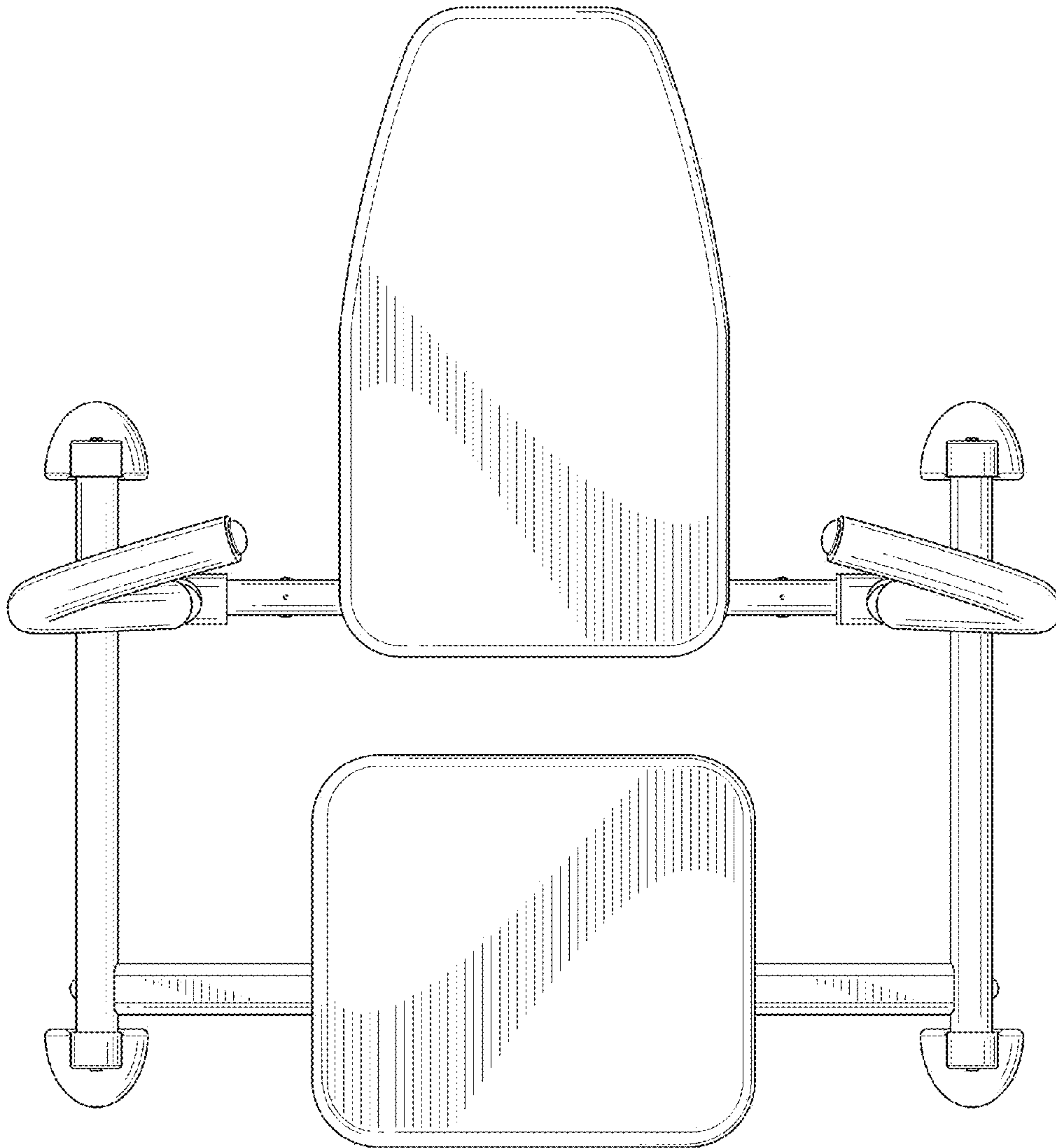


FIG. 6



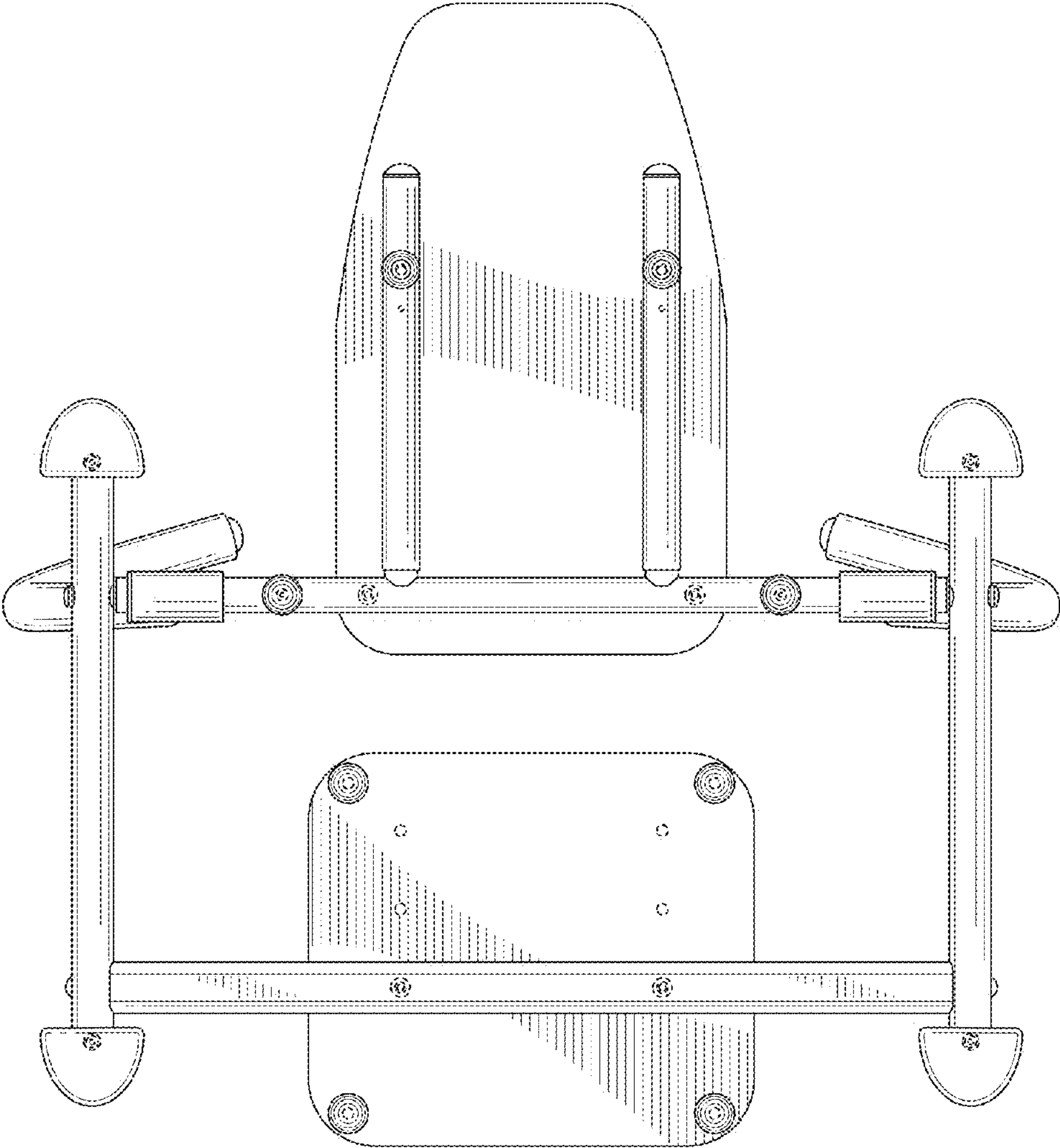


FIG. 7