



US00D741420S

(12) **United States Design Patent**  
**Campanaro et al.**

(10) **Patent No.:** **US D741,420 S**  
(45) **Date of Patent:** **\*\* Oct. 20, 2015**

(54) **ROWING EXERCISE DEVICE**

(56) **References Cited**

(71) Applicant: **Total Gym Global Corp.**, San Diego, CA (US)

U.S. PATENT DOCUMENTS

(72) Inventors: **Thomas J. Campanaro**, Rancho Santa Fe, CA (US); **Jesse Thomas Campanaro**, San Diego, CA (US); **Dan McCutcheon**, San Diego, CA (US)

D251,079	S	*	2/1979	Shugarman	.....	D21/676
D284,597	S	*	7/1986	Smith et al.	.....	D21/676
D362,700	S	*	9/1995	Breibart et al.	.....	D21/673
D382,319	S	*	8/1997	Gerschefske et al.	.....	D21/674
D405,132	S	*	2/1999	Westfall et al.	.....	D21/676
6,120,425	A	*	9/2000	Endelman	.....	482/142
6,371,895	B1	*	4/2002	Endelman et al.	.....	482/135
6,440,045	B1	*	8/2002	Gaston	.....	482/140
D493,853	S	*	8/2004	Campanaro et al.	.....	D21/676
D556,274	S	*	11/2007	Morgan	.....	D21/662
D608,401	S	*	1/2010	Campanaro et al.	.....	D21/687
D612,000	S	*	3/2010	Campanaro et al.	.....	D21/687
8,033,971	B2	*	10/2011	Campanaro et al.	.....	482/142
8,075,457	B2	*	12/2011	Campanaro et al.	.....	482/96

(73) Assignee: **Total Gym Global Corp.**, San Diego, CA (US)

(\*\*) Term: **14 Years**

(21) Appl. No.: **29/506,827**

(Continued)

(22) Filed: **Oct. 21, 2014**

*Primary Examiner* — Robert M Spear

(51) **LOC (10) Cl.** ..... **21-02**

*Assistant Examiner* — Ryan Harvey

(52) **U.S. Cl.**  
USPC ..... **D21/674**

(74) *Attorney, Agent, or Firm* — Stephen C. Beuerle; Procopio Cory Hargreaves & Savitch LLP

(58) **Field of Classification Search**  
USPC ..... D6/552; D21/686, 676, 687, 662, 674, D21/666, 673, 690, 679, 694, 691, 675, D21/688; 211/85.7; 206/579; 135/122; 52/83, 27; 482/145, 23, 2, 72, 57, 62, 482/60, 142, 104, 131, 96, 132, 135, 140, 482/121, 130, 95, 92, 73, 144, 143, 907, 482/128, 108, 908, 94, 106, 97, 123, 126, 482/38, 41, 133, 137, 35, 101, 147, 115, 482/138, 91, 70, 110, 52, 71, 8; 136/251; 290/55; 114/264, 382; 472/128; 606/241, 244; 108/4; 5/607, 624; 601/24, 242, 23; 248/300; 29/428  
CPC ..... A63B 21/0552; A63B 21/1492; A63B 22/001; A63B 23/0211; A63B 2208/0204; A63B 21/154

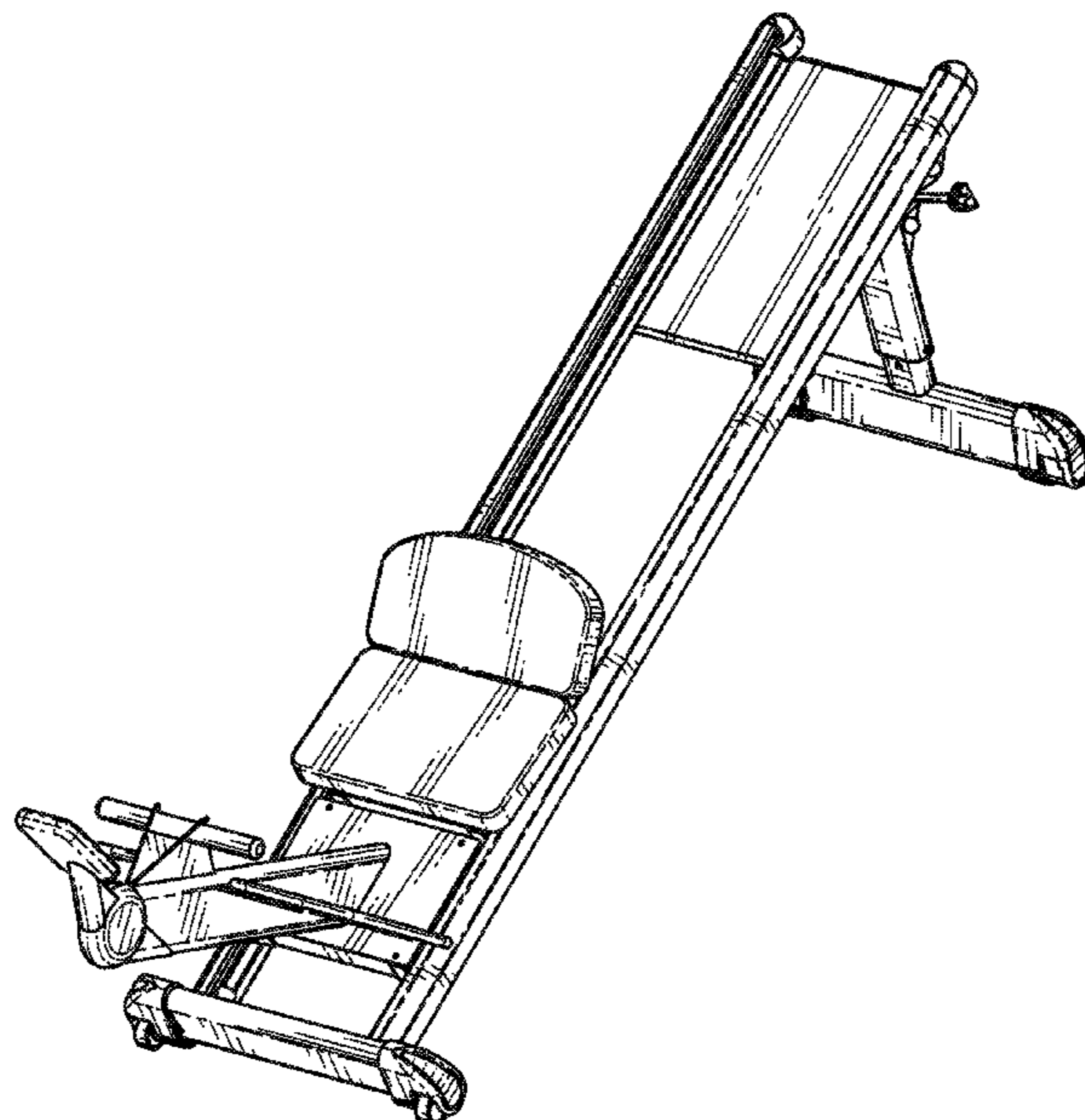
(57) **CLAIM**  
The ornamental design for a rowing exercise device, as shown and described.

**DESCRIPTION**

FIG. 1 is a perspective view of the rowing exercise device; FIG. 2 is a front elevation view of the rowing exercise device; FIG. 3 is a rear elevation view of the rowing exercise device; FIG. 4 is a left side elevational view of the rowing exercise device; FIG. 5 is a right side elevational view of the rowing exercise device; FIG. 6 is a top plan view of the rowing exercise device; and, FIG. 7 is a bottom plan view of the rowing exercise device.

See application file for complete search history.

**1 Claim, 6 Drawing Sheets**



(56)

**References Cited**

U.S. PATENT DOCUMENTS

D659,205 S \* 5/2012 Endelman et al. .... D21/686  
8,323,157 B2 \* 12/2012 Campanaro et al. .... 482/96  
D694,347 S \* 11/2013 Campanaro et al. .... D21/676  
D703,279 S \* 4/2014 Ho ..... D21/673  
8,702,575 B2 \* 4/2014 McVay et al. .... 482/142  
D726,263 S \* 4/2015 Anderson ..... D21/676

2001/0056011 A1 \* 12/2001 Endelman et al. .... 482/121  
2006/0019806 A1 \* 1/2006 Mikulski ..... 482/121  
2008/0280736 A1 \* 11/2008 D'Eredita ..... 482/72  
2009/0163323 A1 \* 6/2009 Bocchicchio ..... 482/8  
2010/0227748 A1 \* 9/2010 Campanaro et al. .... 482/140  
2012/0053028 A1 \* 3/2012 Campanaro et al. .... 482/131  
2014/0141948 A1 \* 5/2014 Aronson et al. .... 482/128  
2014/0194260 A1 \* 7/2014 Campanaro et al. .... 482/131

\* cited by examiner

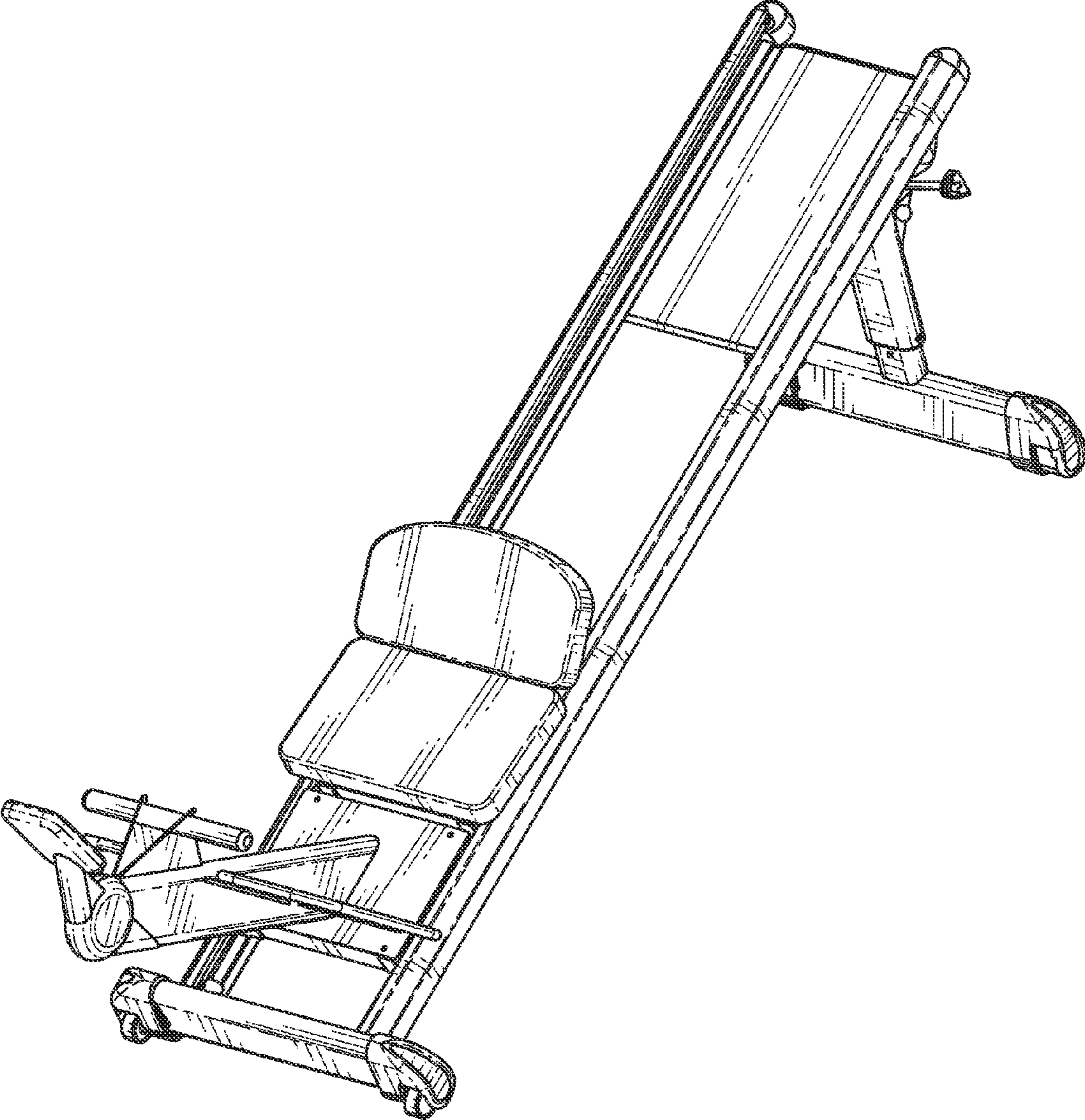


FIG. 1

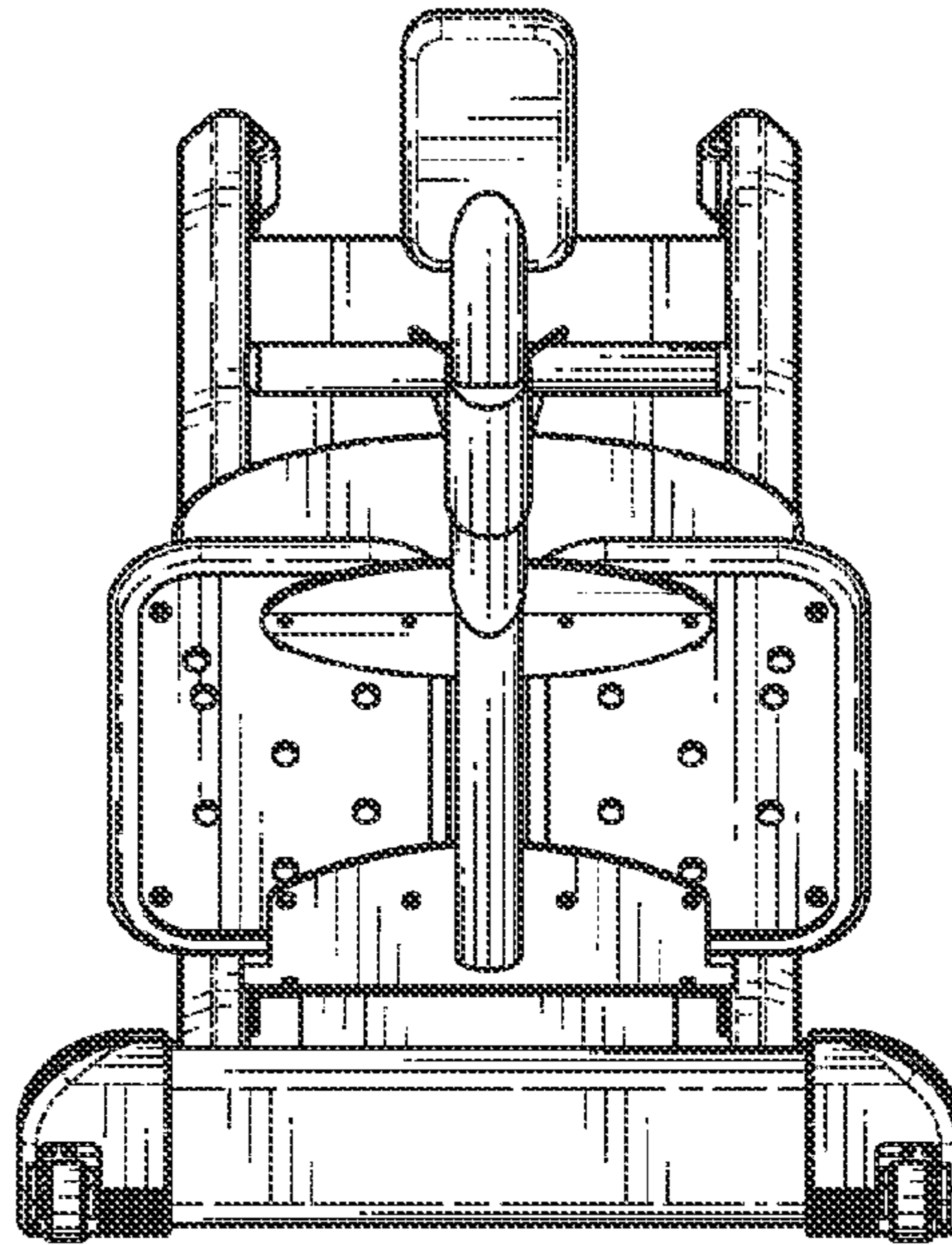


FIG. 2

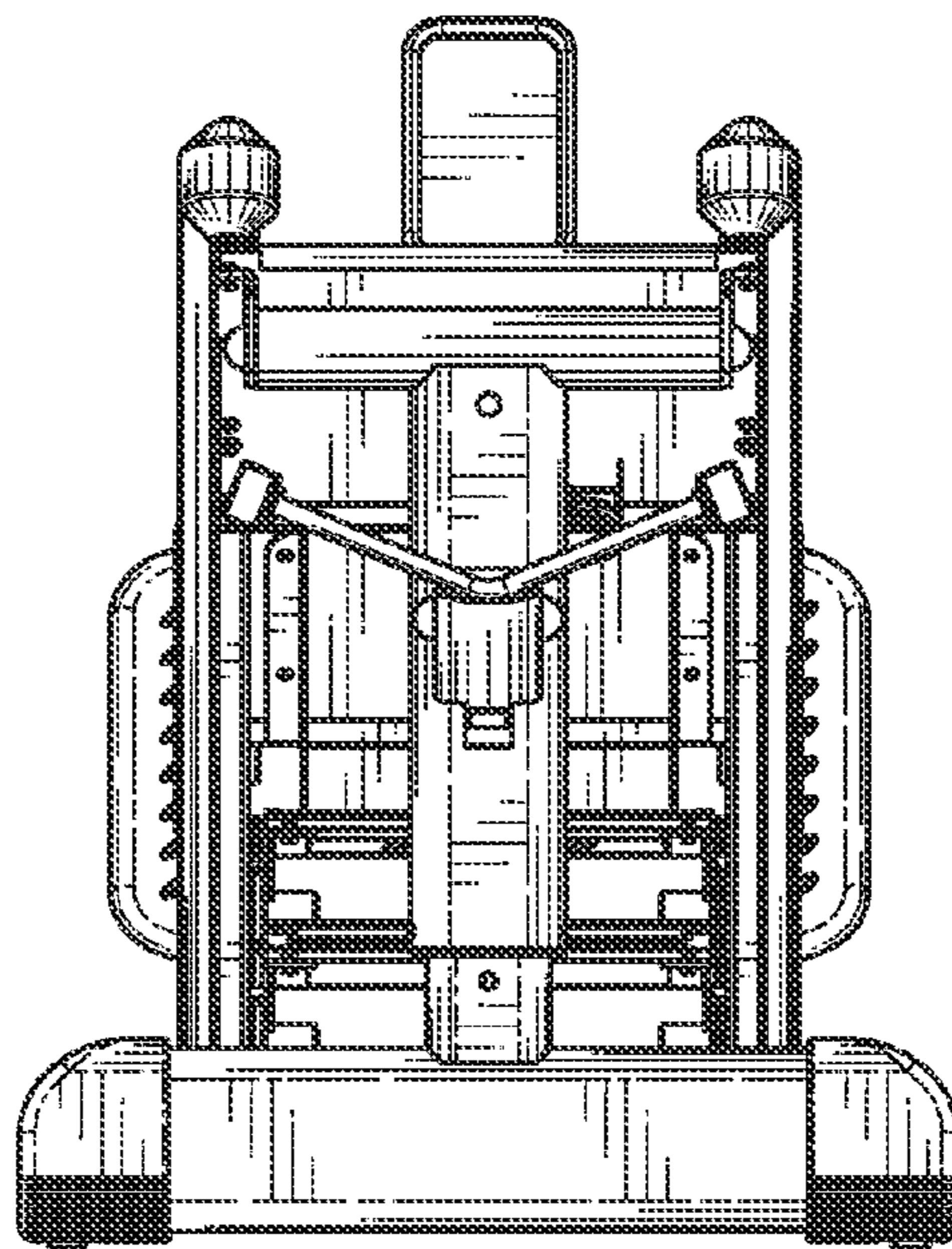


FIG. 3

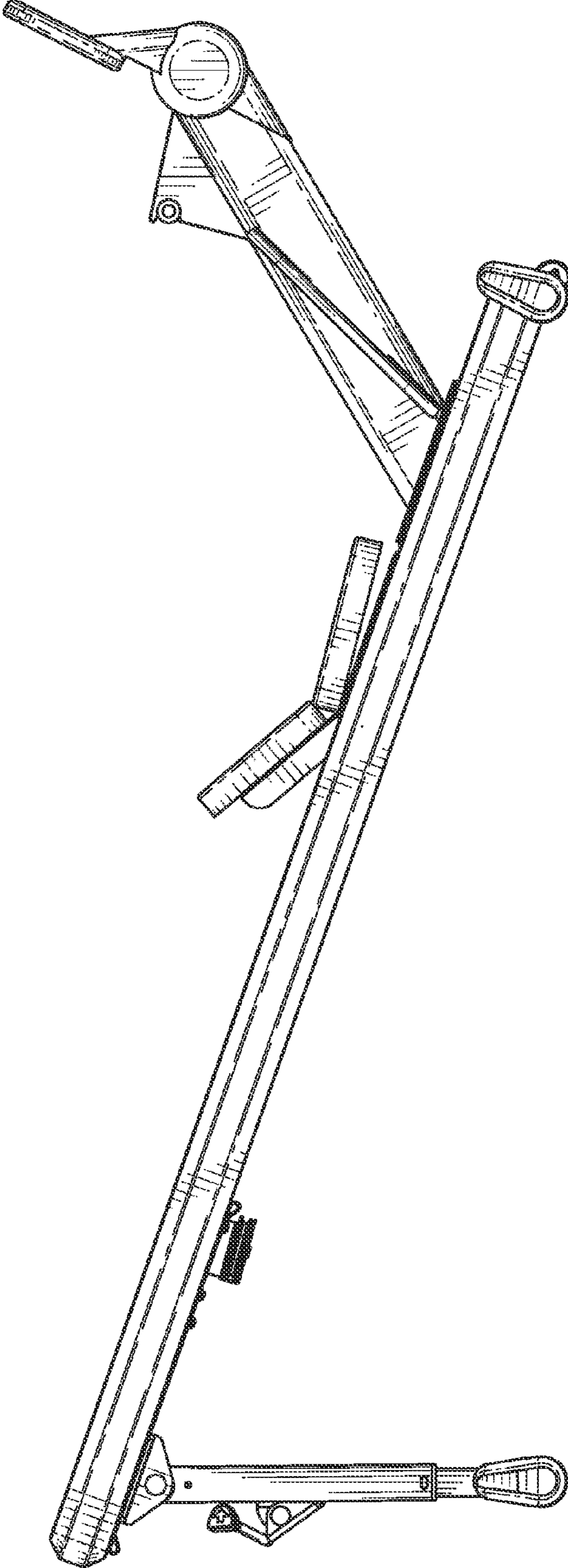


FIG. 4

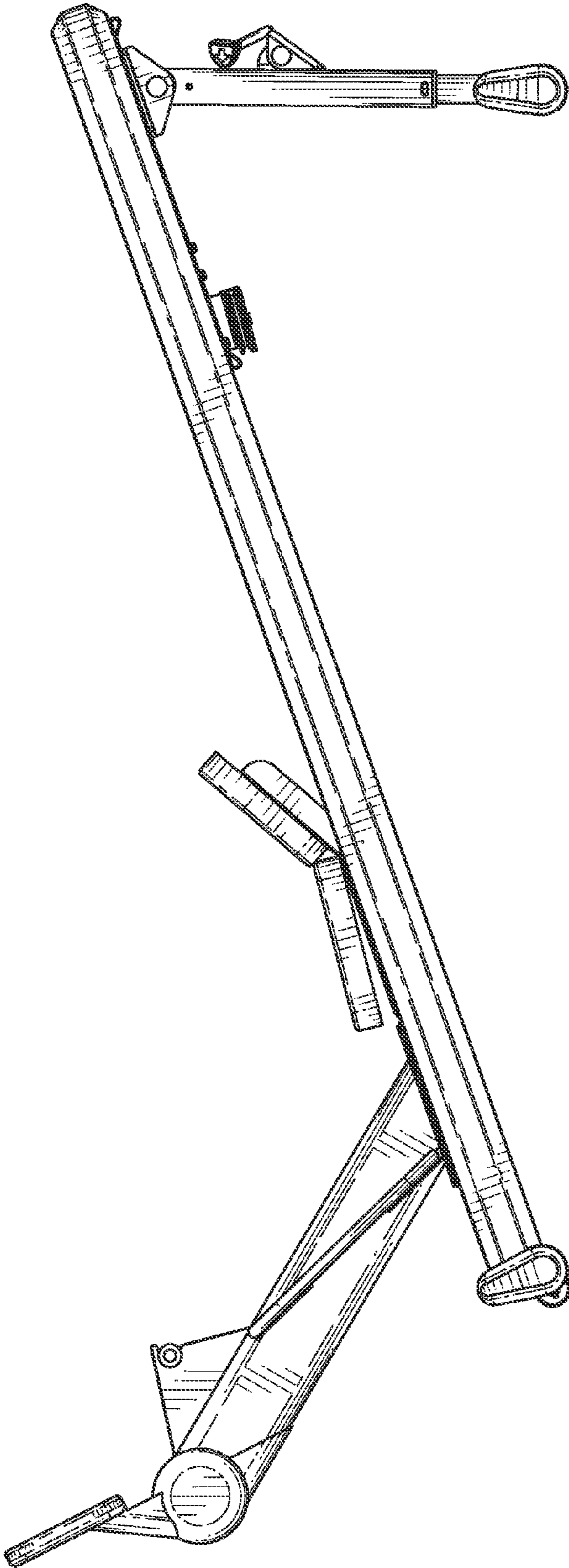


FIG. 5

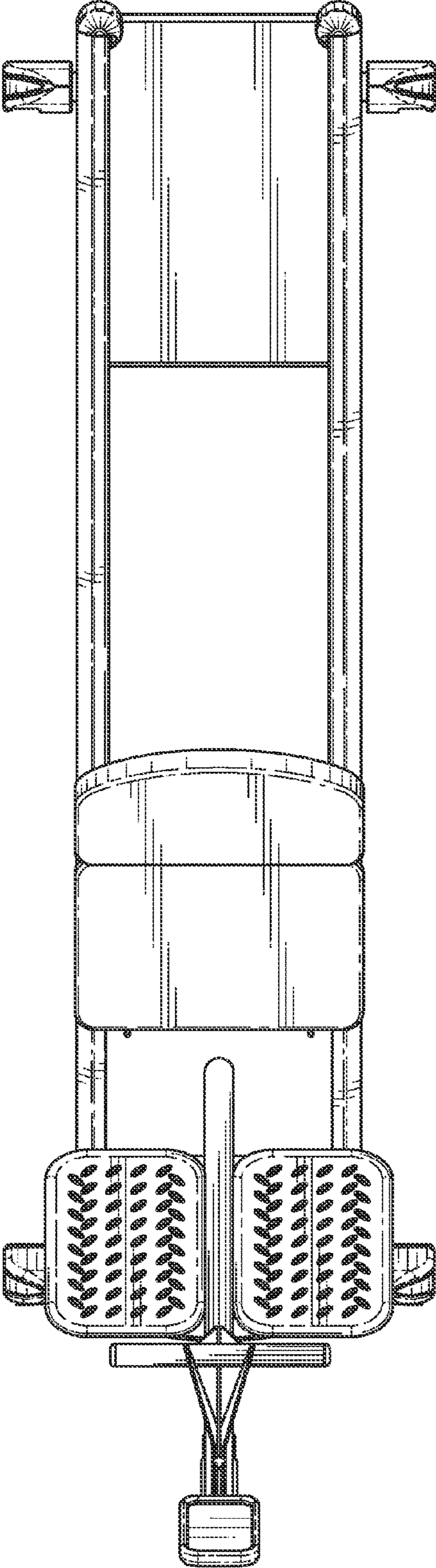


FIG. 6

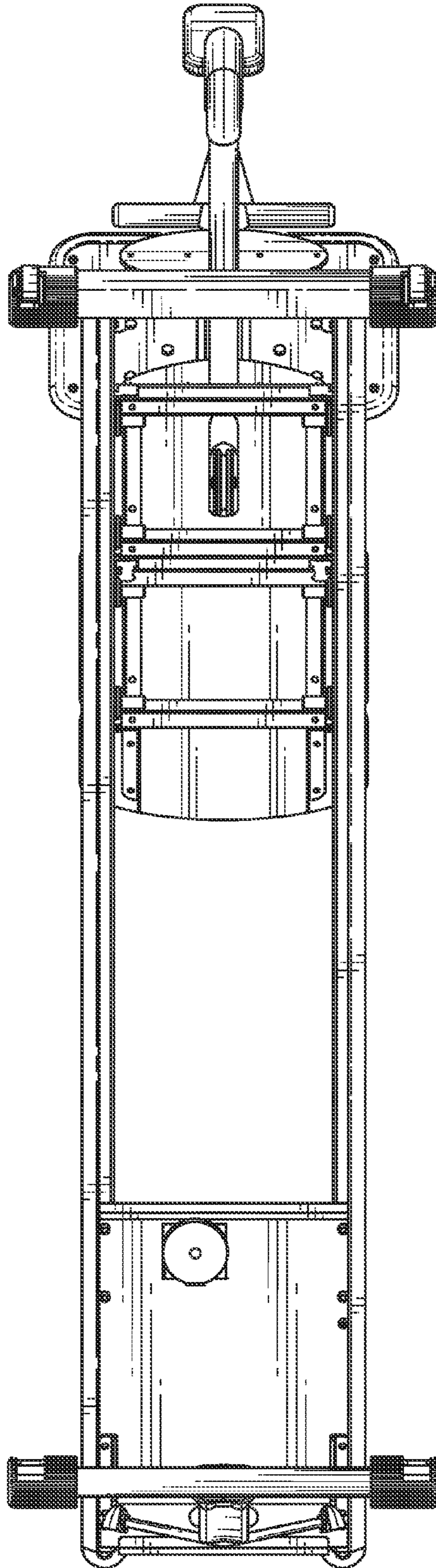


FIG. 7