



US00D741418S

(12) **United States Design Patent**
Beauregard et al.

(10) **Patent No.:** **US D741,418 S**
(45) **Date of Patent:** **** Oct. 20, 2015**

- (54) **TRACK ELEMENT**
- (71) Applicant: **MEGA Brands Inc.**, Montreal (CA)
- (72) Inventors: **Thierry Beauregard**, Boisbriand (CA);
Jean-Philippe Oigny-Lemieux,
Montréal (CA); **Yannick Poirier**,
Valleyfield (CA)
- (73) Assignee: **MEGA Brands Inc.**, Montreal, Quebec
(CA)
- (**) Term: **14 Years**
- (21) Appl. No.: **29/501,137**
- (22) Filed: **Sep. 2, 2014**
- (51) **LOC (10) Cl.** **21-01**
- (52) **U.S. Cl.**
USPC **D21/565**
- (58) **Field of Classification Search**
USPC D21/484, 490, 493, 494, 495, 509, 564,
D21/565, 802, 818, 821; 446/168-174, 84,
446/89, 108, 112, 114, 116, 124-128, 429,
446/444-447; 463/58-69; 238/10 R,
238/10 A-10 C, 10 E, 10 F; 104/60, 69
CPC A63H 19/24; A63H 19/28; A63H 19/30;
A63H 19/32; A63H 19/36; A63H 21/00;
A63H 21/02; A63H 21/04; A63H 18/00;
A63H 18/02; A63H 18/021; A63H 18/025;
A63H 18/028; A63H 18/04; A63H 18/06;
A63H 18/16
See application file for complete search history.

- D344,310 S 2/1994 Ruskai
- D344,992 S 3/1994 Ruskai
- 5,657,695 A 8/1997 Lanoix et al.
- D409,690 S 5/1999 Nielsen
- D409,691 S 5/1999 Harms
- D411,594 S 6/1999 Harms
- D412,949 S 8/1999 Nielsen
- 5,967,052 A 10/1999 Prokopf
- D554,203 S 10/2007 Knight et al.

(Continued)

OTHER PUBLICATIONS

Excerpt of Mega Bloks 2004 Product Catalog, including cover and 2 unnumbered pages.

(Continued)

Primary Examiner — Cynthia M Chin

(74) *Attorney, Agent, or Firm* — Plumsea Law Group, LLC

(57) **CLAIM**

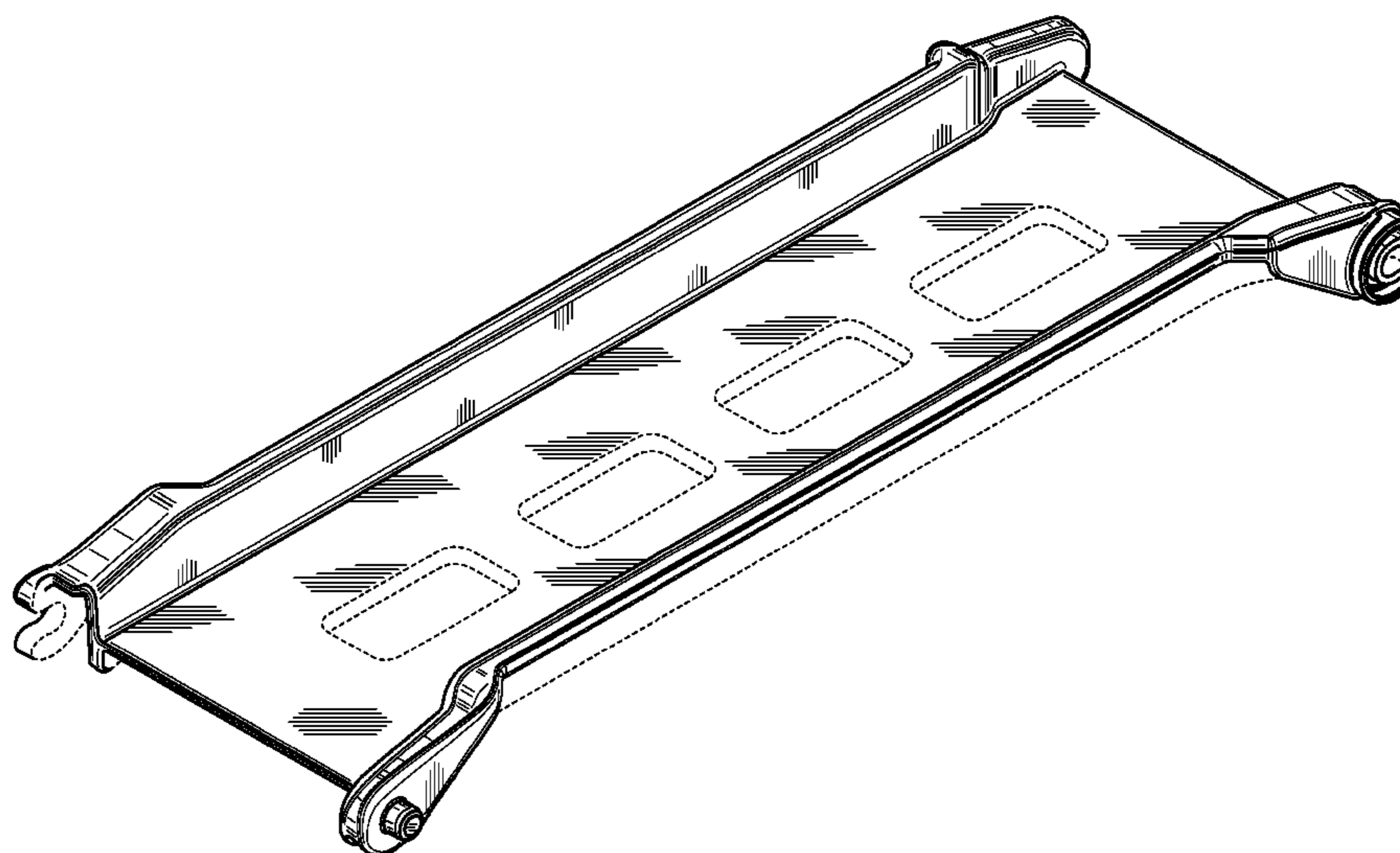
The ornamental design for a track element, as shown and described.

DESCRIPTION

FIG. 1 is a top front perspective view of a track element showing the new design;
 FIG. 2 is an enlarged front side elevational view of the track element of FIG. 1;
 FIG. 3 is an enlarged rear side elevational view of the track element of FIG. 1;
 FIG. 4 is a right side elevational view of the track element of FIG. 1;
 FIG. 5 is a left side elevational view of the track element of FIG. 1;
 FIG. 6 is a top plan view of the track element of FIG. 1; and,
 FIG. 7 is a bottom plan view of the track element of FIG. 1.
 The broken lines and unshaded areas form no part of the claimed design.

1 Claim, 7 Drawing Sheets

- (56) **References Cited**
U.S. PATENT DOCUMENTS
- 4,408,413 A 10/1983 Hyland et al.
- D285,224 S 8/1986 Olsen
- D285,325 S 8/1986 Berggreen
- D314,996 S 2/1991 Olsen



(56)

References Cited

U.S. PATENT DOCUMENTS

D555,210 S 11/2007 Knight et al.
D555,211 S 11/2007 Knight et al.
D555,212 S 11/2007 Knight et al.
D573,665 S * 7/2008 Horikoshi D21/565
7,618,301 B2 11/2009 Knight et al.
7,651,398 B2 1/2010 Ostendorff et al.
7,938,068 B2 5/2011 Parker et al.
D640,330 S 6/2011 Beauregard et al.
D640,331 S 6/2011 Beauregard et al.
D640,332 S 6/2011 Beauregard et al.
D640,333 S 6/2011 Beauregard et al.
D644,697 S * 9/2011 Mimlitch et al. D21/565
D644,699 S * 9/2011 Mimlitch et al. D21/565

D645,913 S 9/2011 Beauregard et al.
D659,201 S * 5/2012 Glickman D21/565
8,298,038 B2 10/2012 O'Connor et al.
D689,141 S * 9/2013 Mimlitch et al. D21/565
D726,835 S * 4/2015 Edwards D21/565
2007/0293122 A1 * 12/2007 O'Connor et al. 446/429

OTHER PUBLICATIONS

Excerpt of Mega Bloks 2005 Product Catalog, including cover, p. 12, and 1 unnumbered page.

Excerpt of Mega Bloks 2011 Product Catalog, including cover and 13 unnumbered pages.

Excerpt of Mega Bloks 2012 Product Catalog, including pp. 35-43.

* cited by examiner

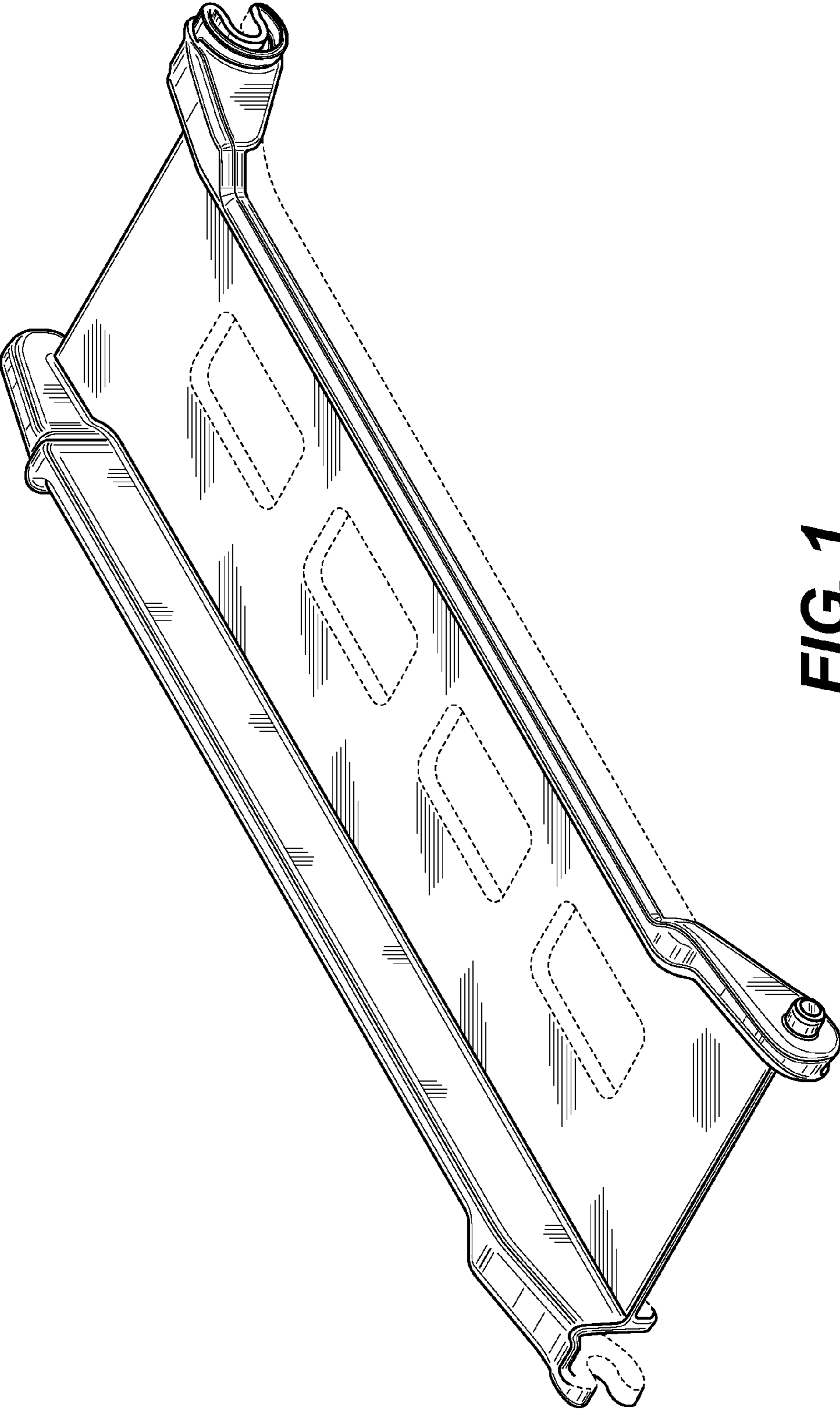


FIG. 1

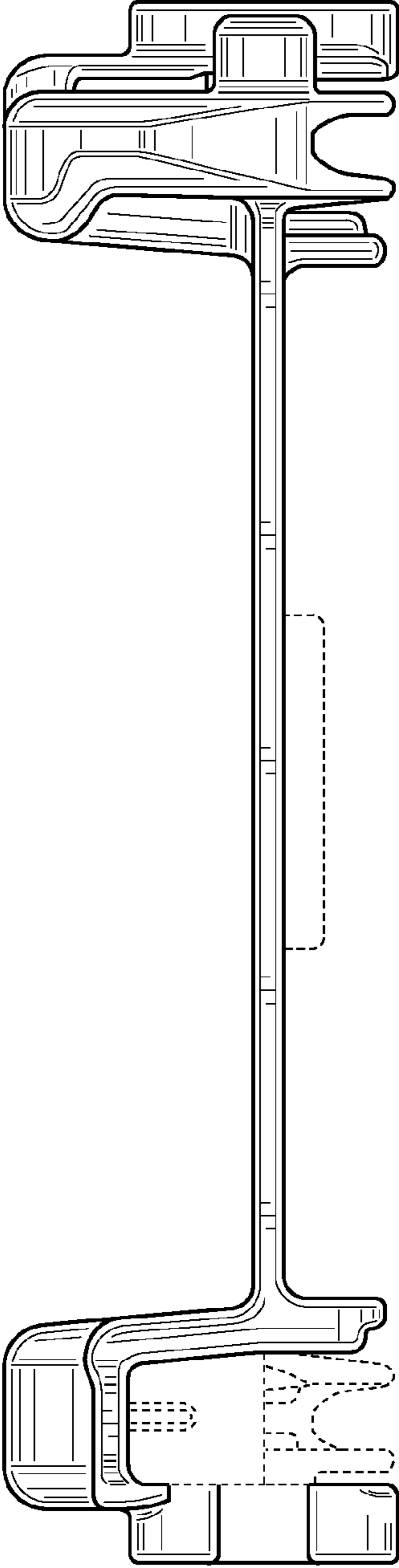


FIG. 2

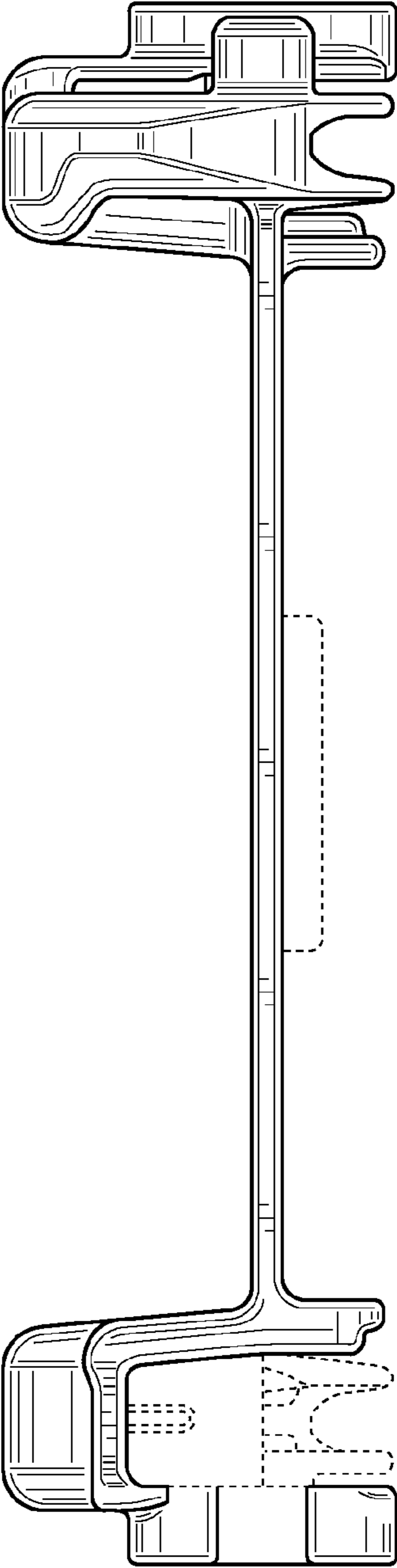


FIG. 3

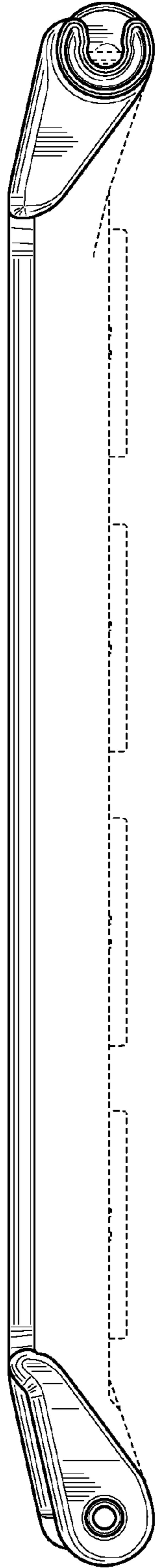


FIG. 4

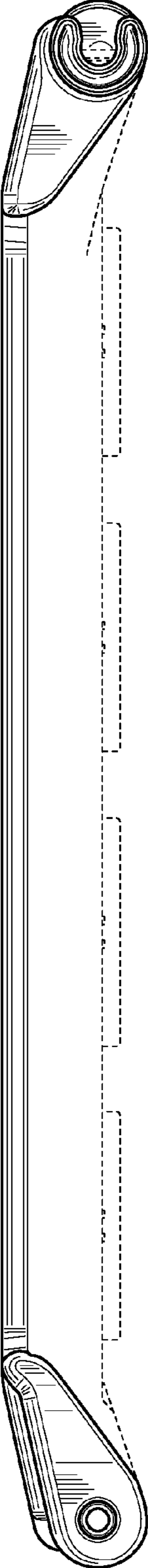


FIG. 5

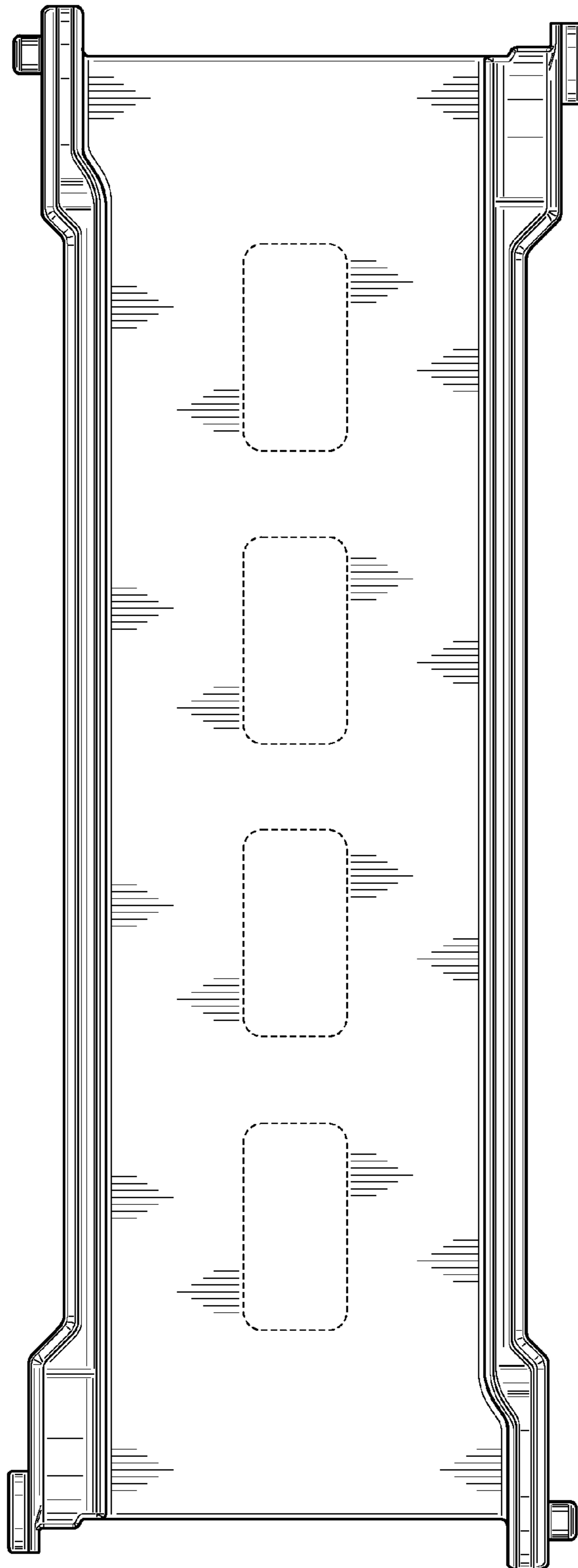


FIG. 6

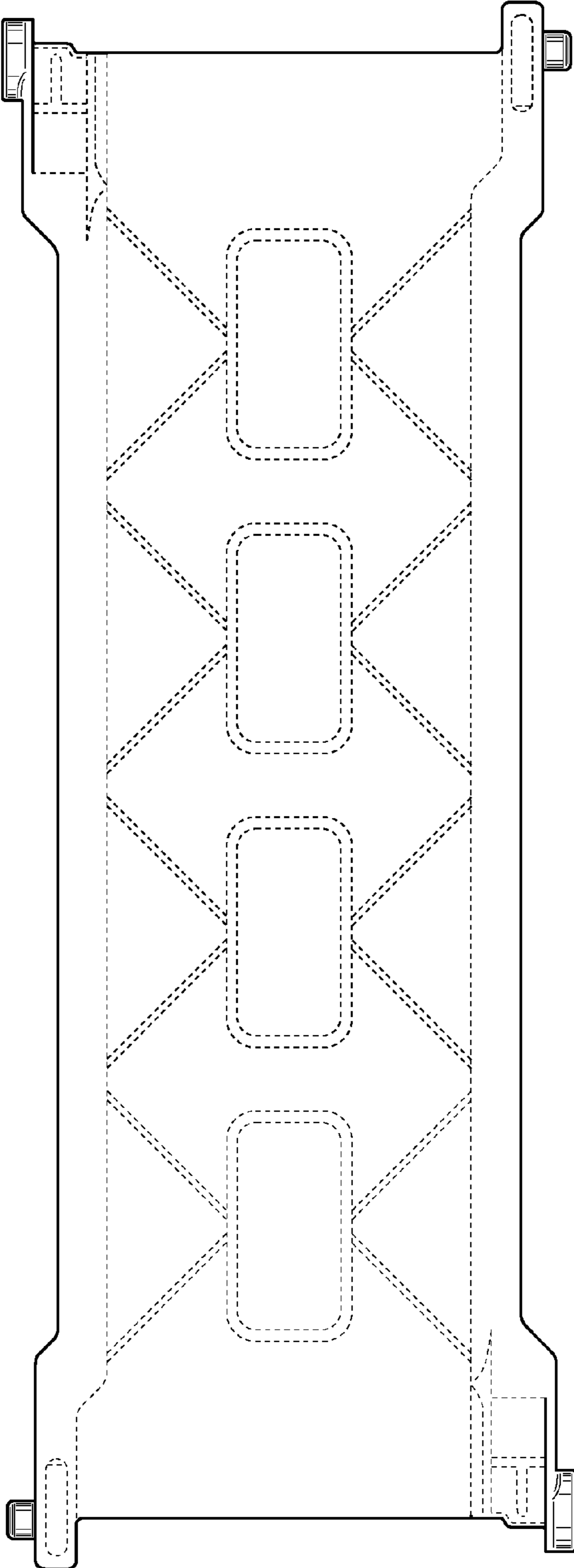


FIG. 7