



US00D741415S

(12) **United States Design Patent**  
**Masalin et al.**

(10) **Patent No.:** **US D741,415 S**

(45) **Date of Patent:** **\*\* Oct. 20, 2015**

(54) **SAW**

(71) Applicant: **Fiskars Brands Finland Oy Ab**, Billnäs (FI)

(72) Inventors: **Petteri Masalin**, Helsinki (FI); **Vesa Korjus**, Lahti (FI); **Jouni Salojärvi**, Helsinki (FI); **Egon Missik**, Lahti (FI); **Pirkka Haimi**, Lahti (FI)

(73) Assignee: **Fiskars Brands Finland Oy Ab**, Billnäs (FI)

(\*\*) Term: **14 Years**

(21) Appl. No.: **29/493,638**

(22) Filed: **Jun. 11, 2014**

**Related U.S. Application Data**

(62) Division of application No. 29/440,374, filed on Dec. 20, 2012, now Pat. No. Des. 716,385.

(30) **Foreign Application Priority Data**

Jul. 2, 2012 (EM) ..... 002066605-0009

(51) **LOC (10) Cl.** ..... **21-01**

(52) **U.S. Cl.**  
USPC ..... **D21/532**

(58) **Field of Classification Search**

USPC ..... D21/532; D8/95, 96, 97, 98; D7/649, D7/650, 643; 446/473; D17/20

CPC ..... A63H 33/009; A63H 33/003  
See application file for complete search history.

(56) **References Cited**

U.S. PATENT DOCUMENTS

D240,066 S	5/1976	Moustakas
D277,509 S	2/1985	Lawrence et al.
D336,102 S	6/1993	Hodesh
D395,330 S	6/1998	Sarno
D403,559 S	1/1999	Terenzio
D466,764 S	12/2002	Haythornthwaite et al.
D500,233 S	12/2004	Overthun
D572,542 S	7/2008	Epstein
D581,734 S	12/2008	Epstein
D637,223 S	5/2011	King
D654,324 S	2/2012	Ono et al.
D672,385 S	12/2012	Goad

*Primary Examiner* — Phillip S Hyder

(74) *Attorney, Agent, or Firm* — Foley & Lardner LLP

(57) **CLAIM**

We claim the ornamental design for a saw, as shown and described.

**DESCRIPTION**

FIG. 1 is a front perspective view of an embodiment of the claimed design;

FIG. 2 is a rear perspective view of the claimed design of FIG. 1;

FIG. 3 is a front elevation view of the claimed design of FIG. 1;

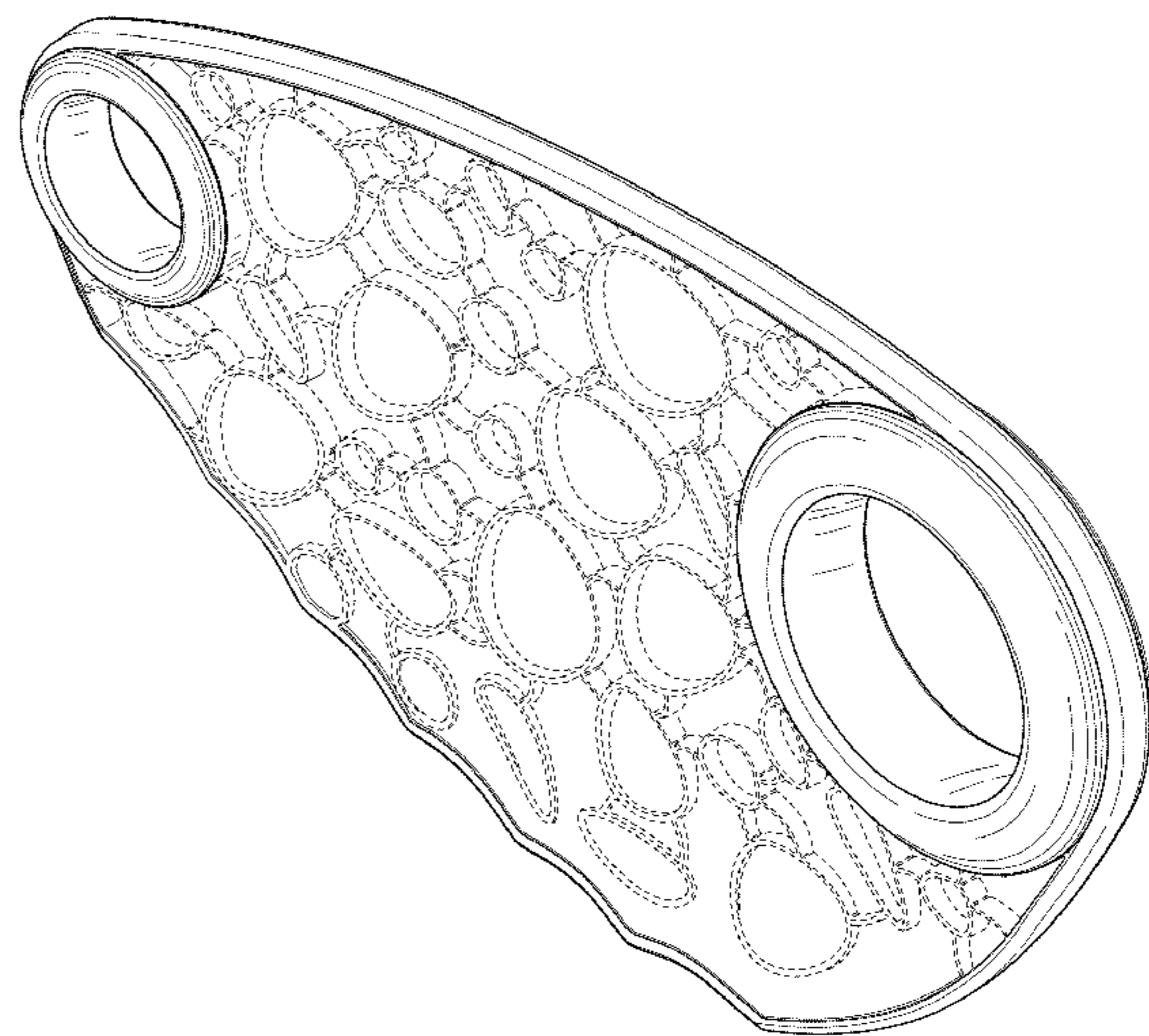
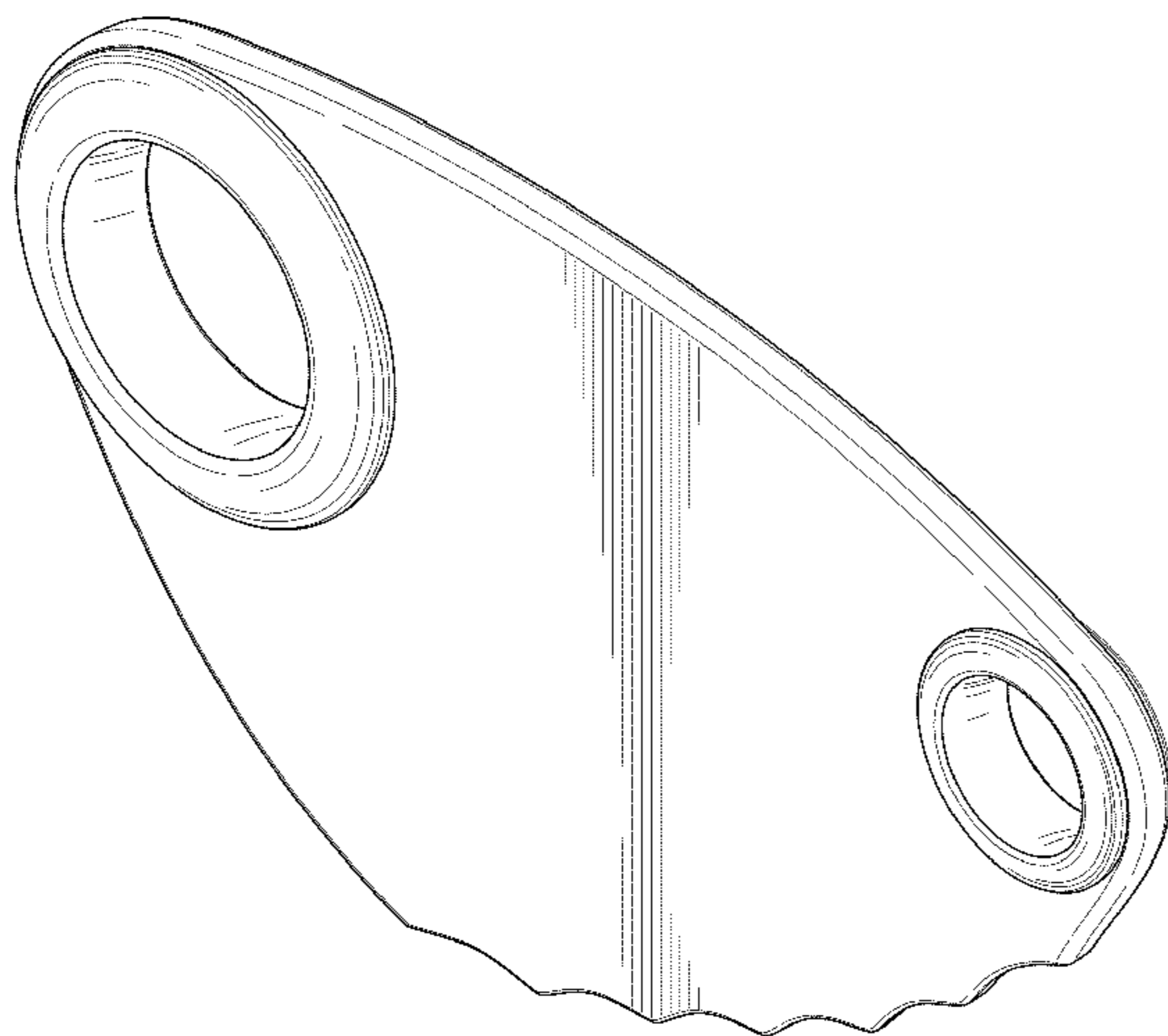
FIG. 4 is a rear elevation view of the claimed design of FIG. 1;

FIG. 5 is a right side view of the claimed design of FIG. 1;

FIG. 6 is a left side view of the claimed design of FIG. 1; and, FIG. 7 is a bottom view of the claimed design of FIG. 1.

The ornamental design which is claimed is shown in solid lines in the drawings. The broken lines in the drawings are for illustrative purposes only and form no part of the claimed design.

**1 Claim, 6 Drawing Sheets**



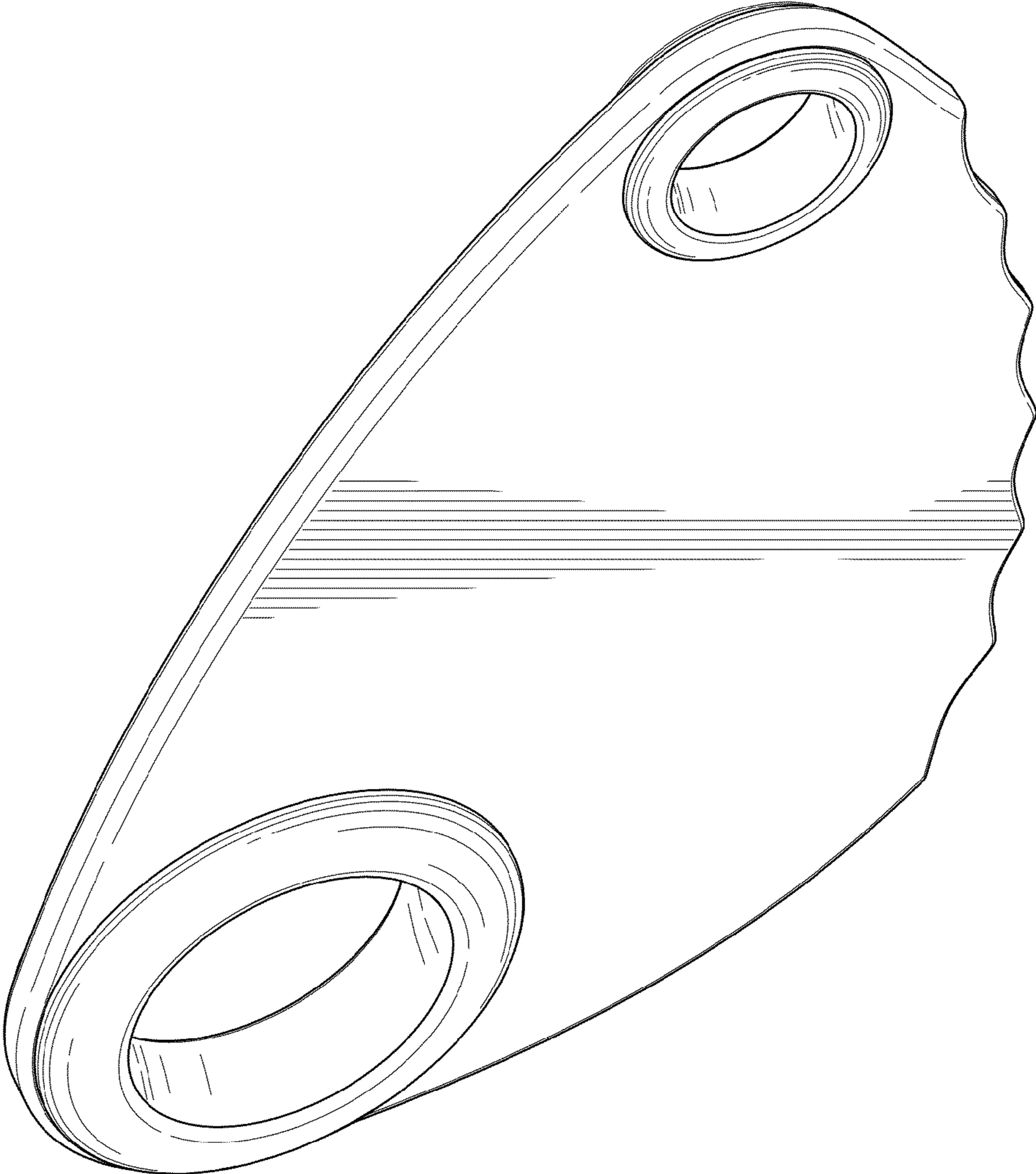


FIG. 1

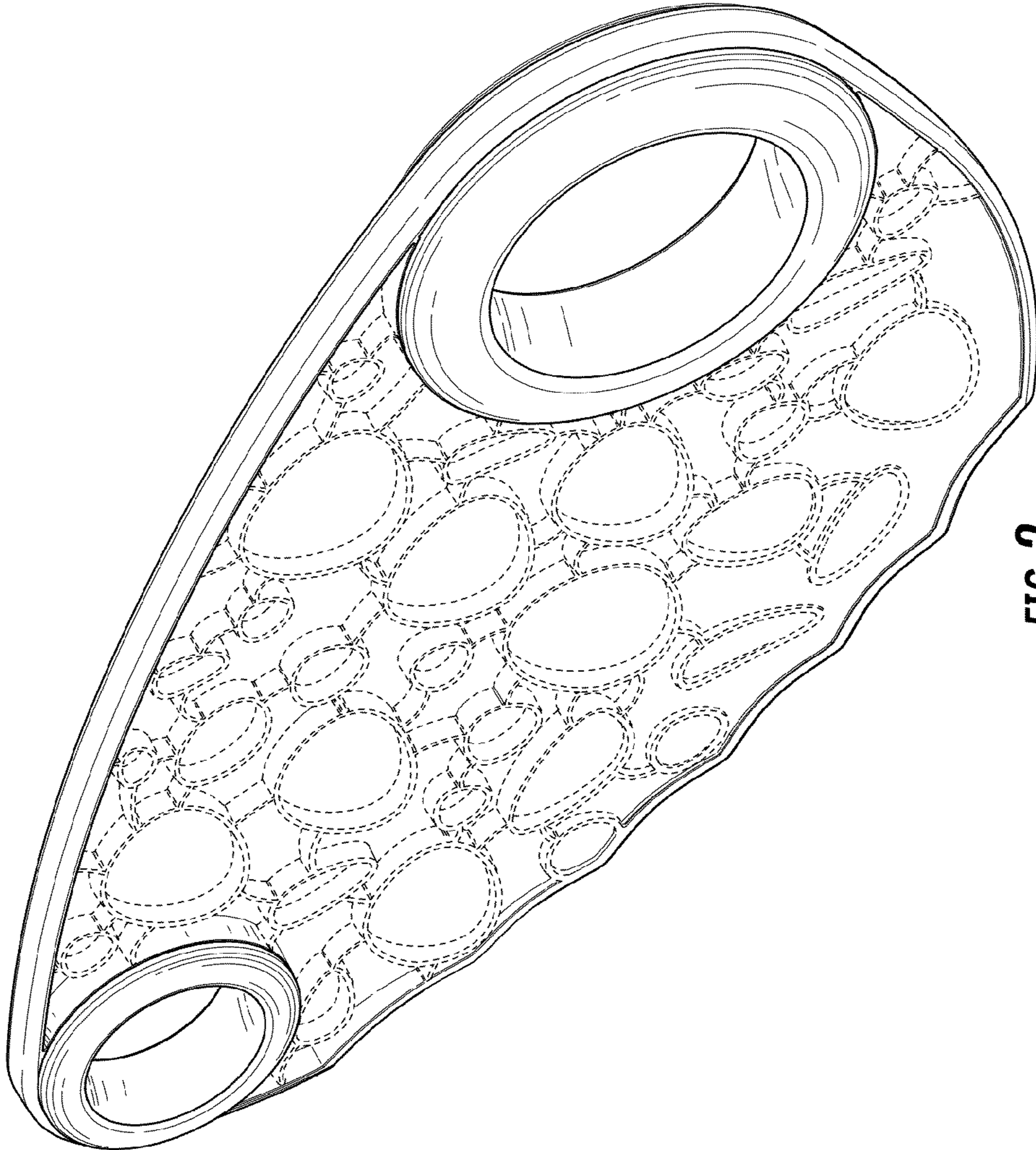


FIG. 2

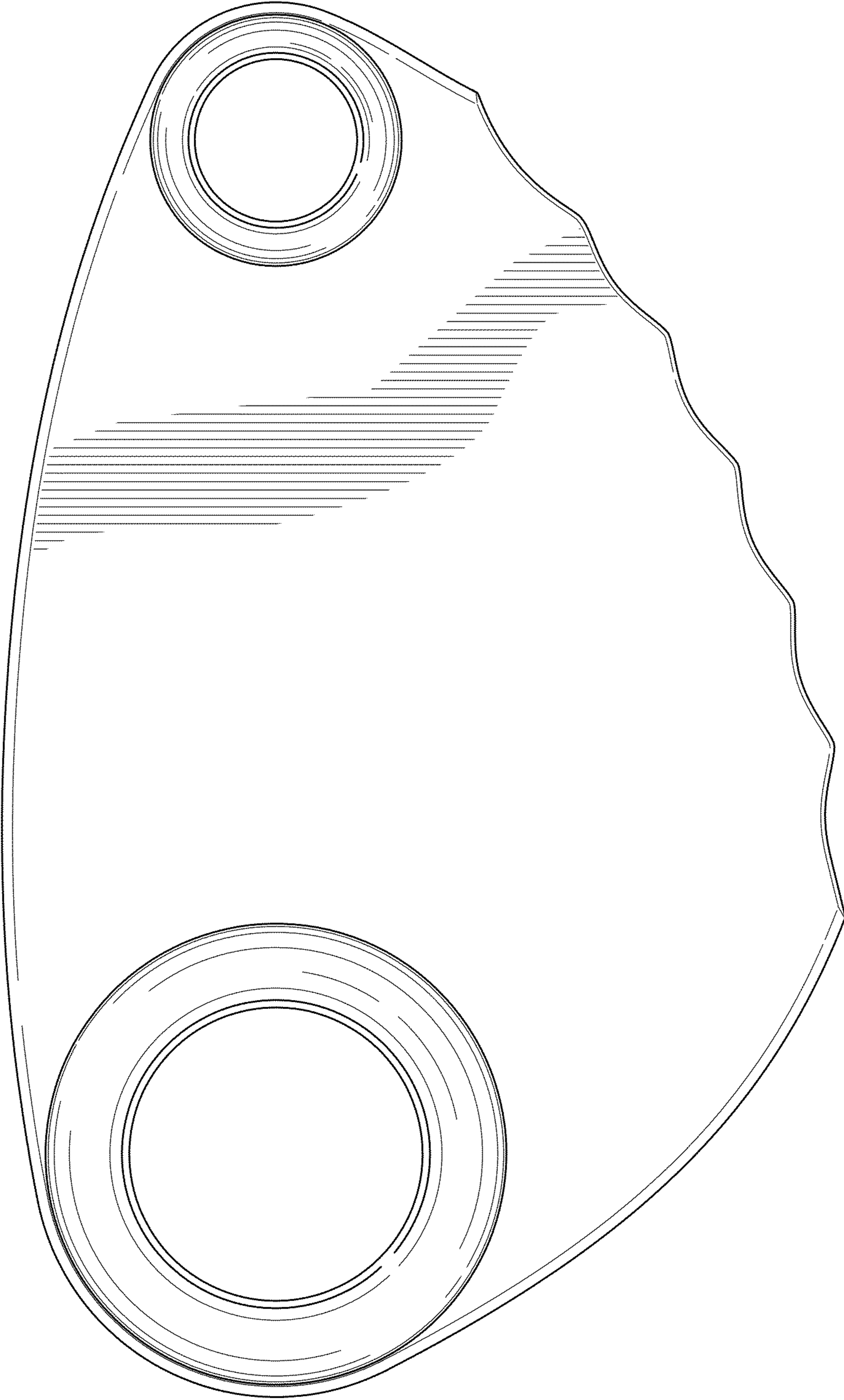


FIG. 3

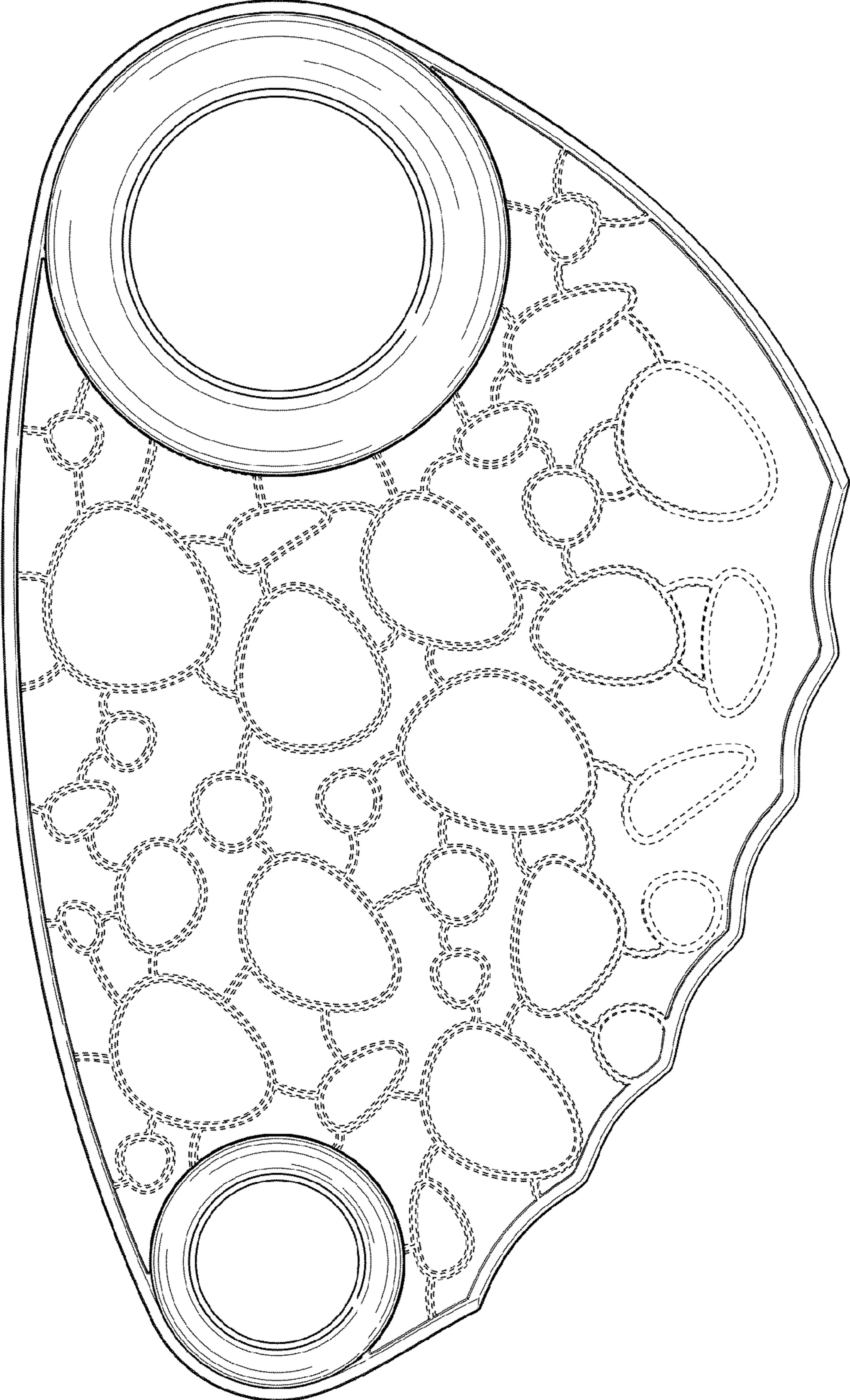


FIG. 4

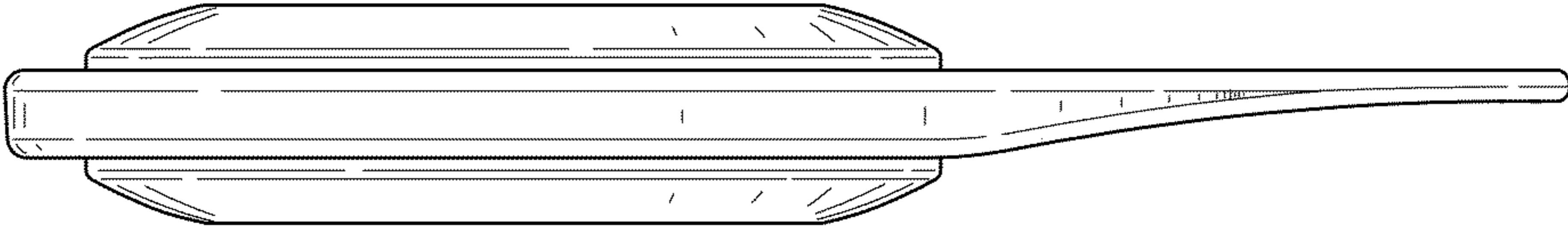


FIG. 6

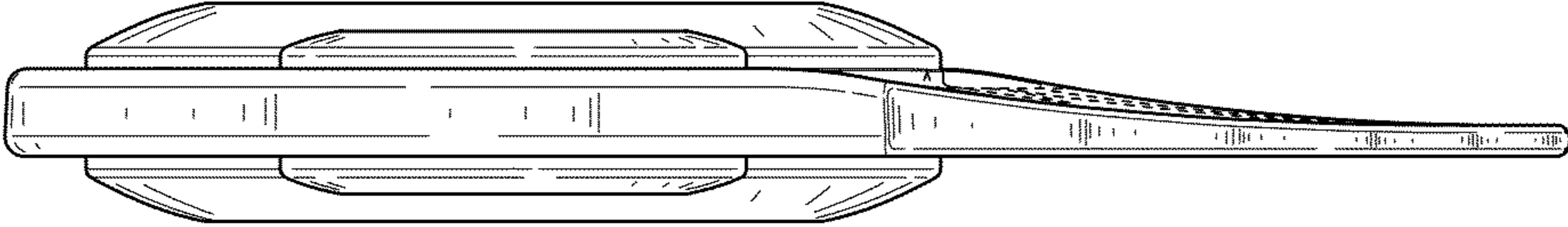


FIG. 5

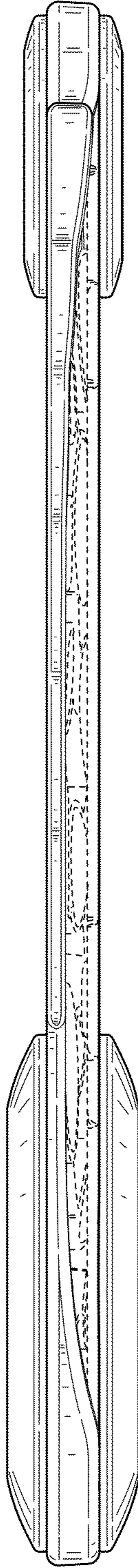


FIG. 7