



US00D741413S

(12) **United States Design Patent**  
**Smikle**

(10) **Patent No.:** **US D741,413 S**

(45) **Date of Patent:** **\*\* Oct. 20, 2015**

(54) **TOY**

(71) Applicant: **Howard Smikle**, Brooklyn, NY (US)

(72) Inventor: **Howard Smikle**, Brooklyn, NY (US)

(\*\*) Term: **14 Years**

(21) Appl. No.: **29/493,513**

(22) Filed: **Jun. 10, 2014**

(51) **LOC (10) Cl.** ..... **21-01**

(52) **U.S. Cl.**  
USPC ..... **D21/398**; D21/466; D21/468

(58) **Field of Classification Search**  
USPC ..... D21/398, 399, 400, 405, 406, 455,  
D21/465-468, 476, 478, 585, 587-591, 719,  
D21/722, 723, 300-303, 309, 729-732  
CPC ..... A63B 67/08; A63B 67/083; A63B 67/10;  
A63B 67/20; A63B 67/205; A63B 67/22;  
A63B 2208/12; A63B 59/00; A63B 59/04;  
A63B 59/18; A63F 7/382; A63F 9/02; A63F  
9/0208; A63H 13/00; A63H 15/00; A63H  
15/04

See application file for complete search history.

(56) **References Cited**

**U.S. PATENT DOCUMENTS**

492,476 A \* 2/1893 Sobolewski ..... 273/335  
541,424 A \* 6/1895 Davis ..... 473/507  
703,519 A \* 7/1902 Becker ..... 473/530

966,056 A \* 8/1910 Root ..... 273/334  
1,506,126 A \* 8/1924 Kuenz ..... 446/351  
2,047,744 A \* 7/1936 Paul et al. .... 273/330  
2,066,799 A \* 1/1937 Reynolds ..... 273/329  
2,147,157 A \* 2/1939 Goertz ..... 273/330  
2,198,075 A \* 4/1940 Borek ..... 273/109  
2,382,513 A \* 8/1945 Singer ..... 473/508  
D160,257 S \* 9/1950 Gilmore ..... D21/454  
3,468,536 A \* 9/1969 Minshull et al. .... 473/475  
3,612,529 A \* 10/1971 Witting ..... 473/512  
5,052,970 A \* 10/1991 Balwigaire ..... 446/351  
6,042,446 A \* 3/2000 Louis ..... 446/170  
D569,444 S \* 5/2008 Moore ..... D21/405  
D709,975 S \* 7/2014 Estrada, Jr. .... D21/780  
2011/0098143 A1 \* 4/2011 Ryu ..... 473/527

\* cited by examiner

*Primary Examiner* — Catherine Tuttle

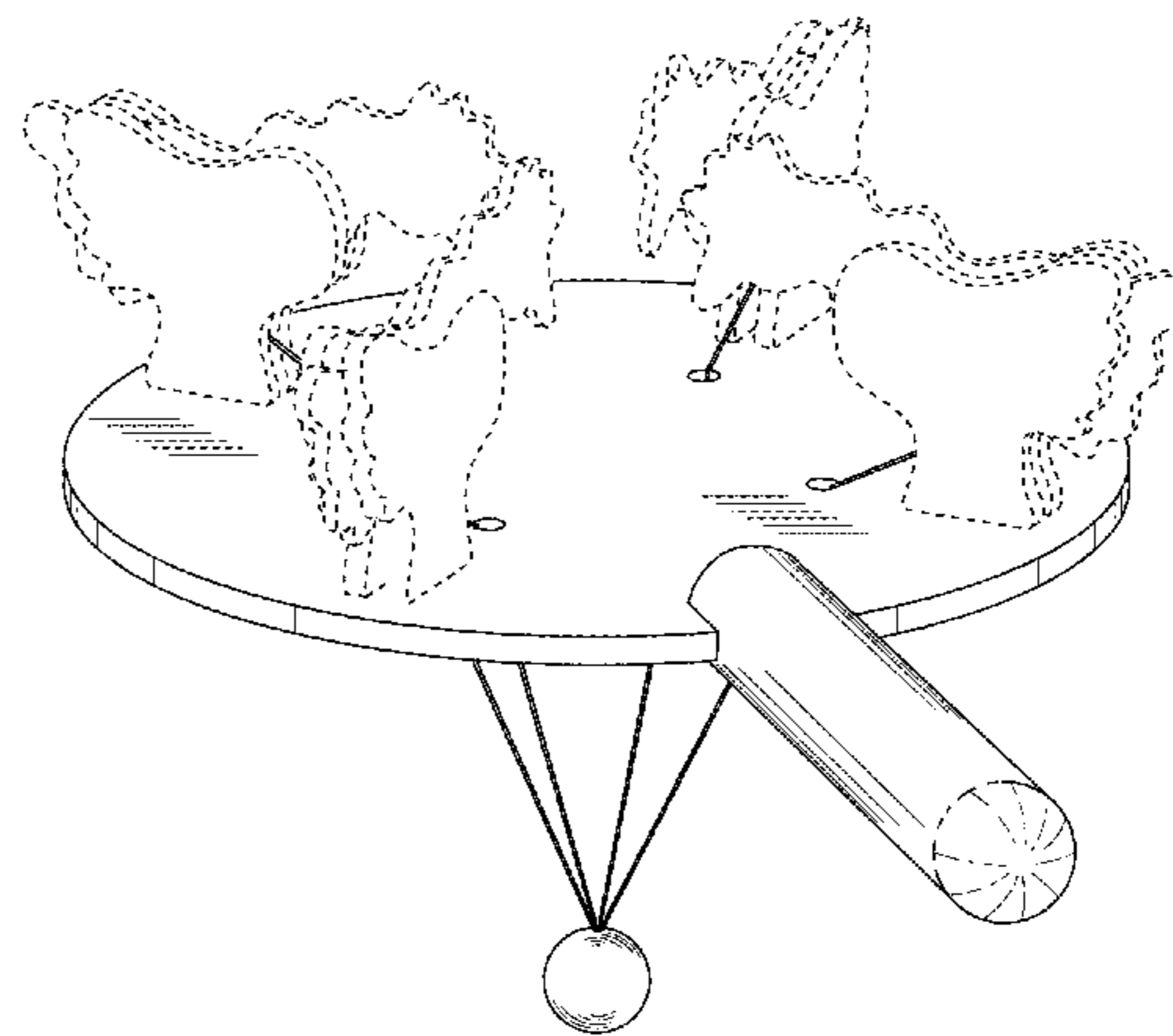
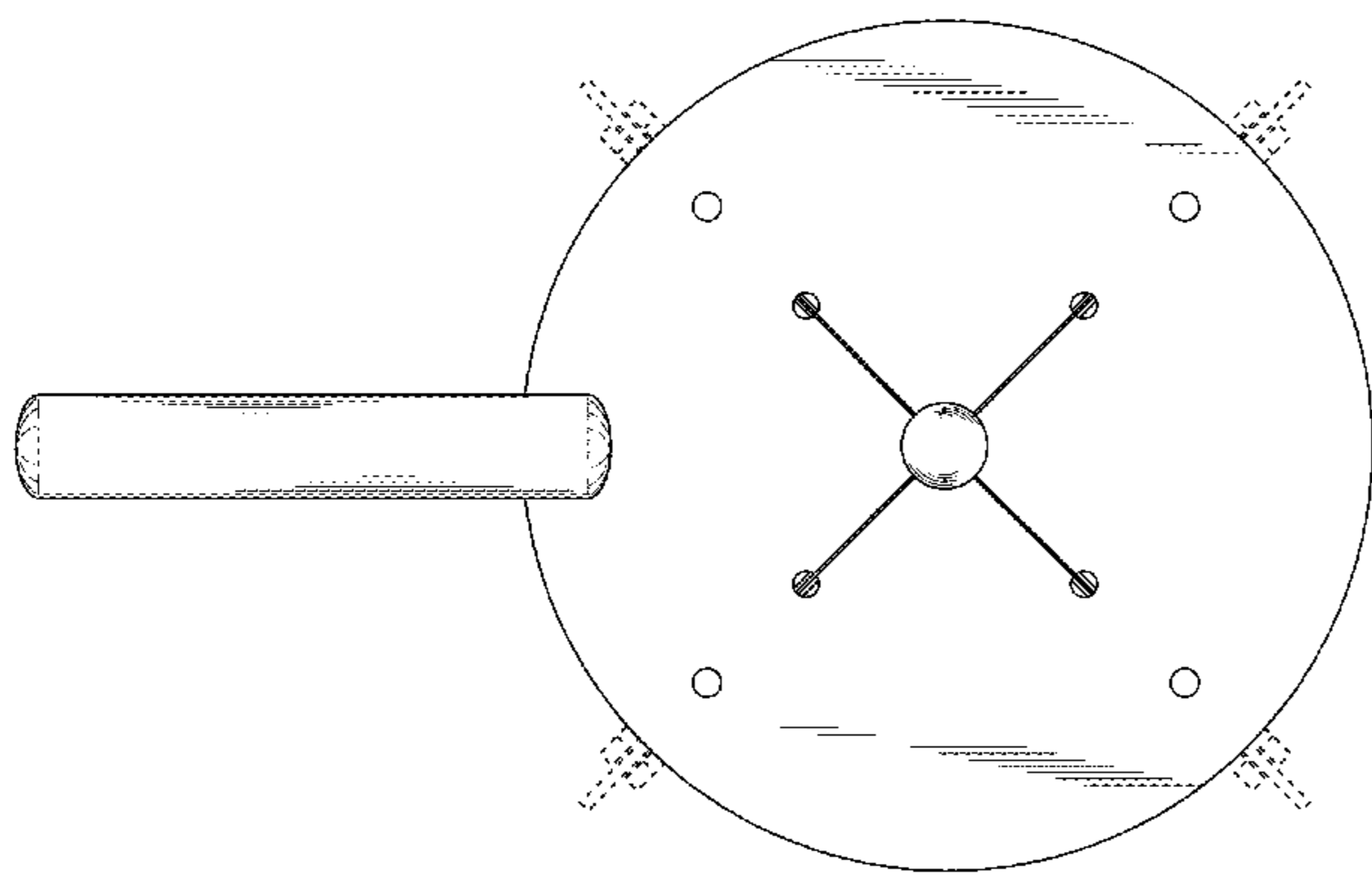
(57) **CLAIM**

The ornamental design for a toy, as shown and described.

**DESCRIPTION**

FIG. 1 is a left side elevational view of a toy;  
FIG. 2 is a rear elevational view thereof;  
FIG. 3 is a right side elevational view thereof;  
FIG. 4 is a front elevational view thereof;  
FIG. 5 is a top plan view thereof;  
FIG. 6 is a bottom plan view thereof; and,  
FIG. 7 is a perspective view thereof.  
The broken line showing of birds is included for the purpose of illustrating elements of the toy that form no part of the claimed design.

**1 Claim, 7 Drawing Sheets**



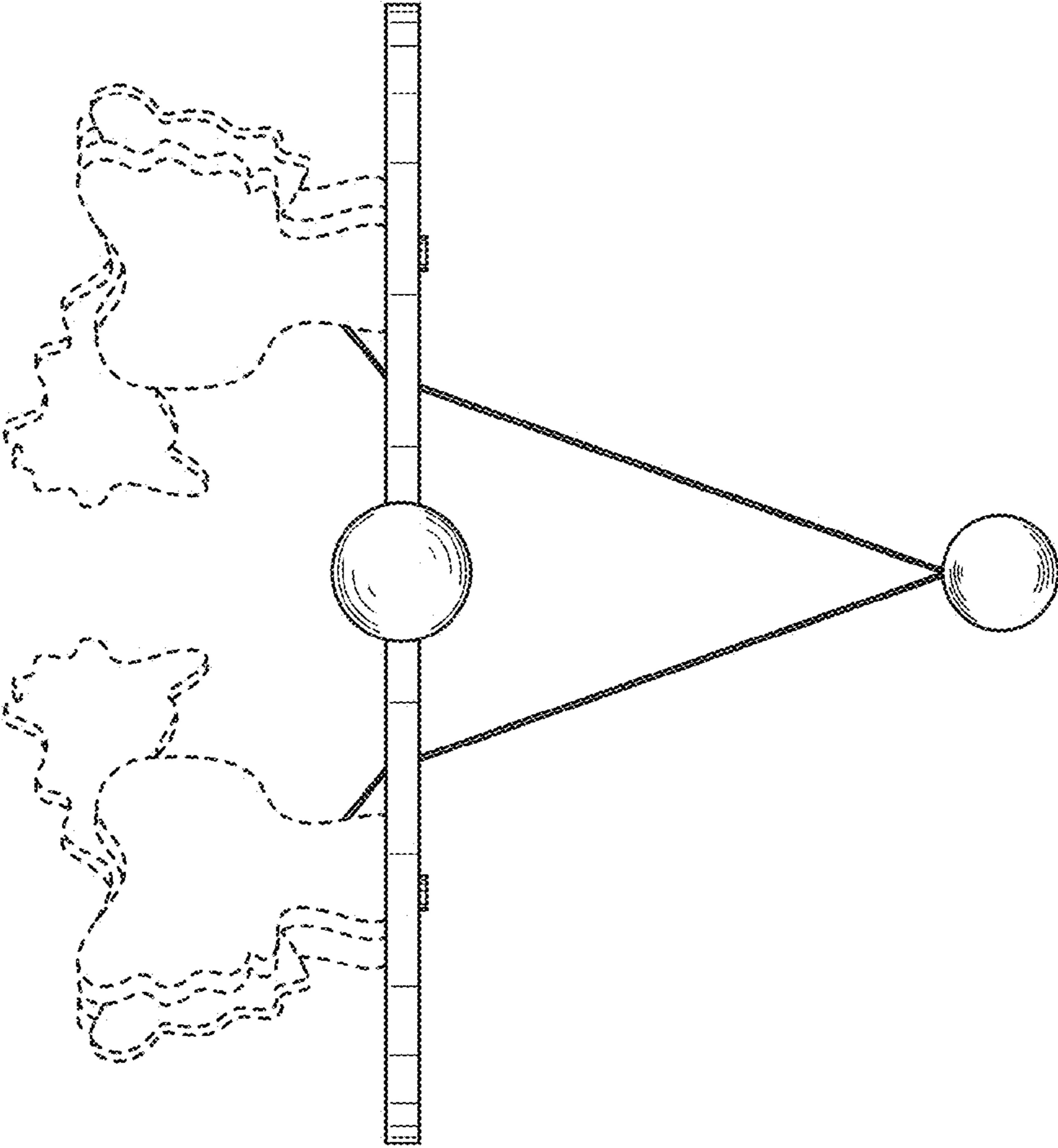


FIG. 1

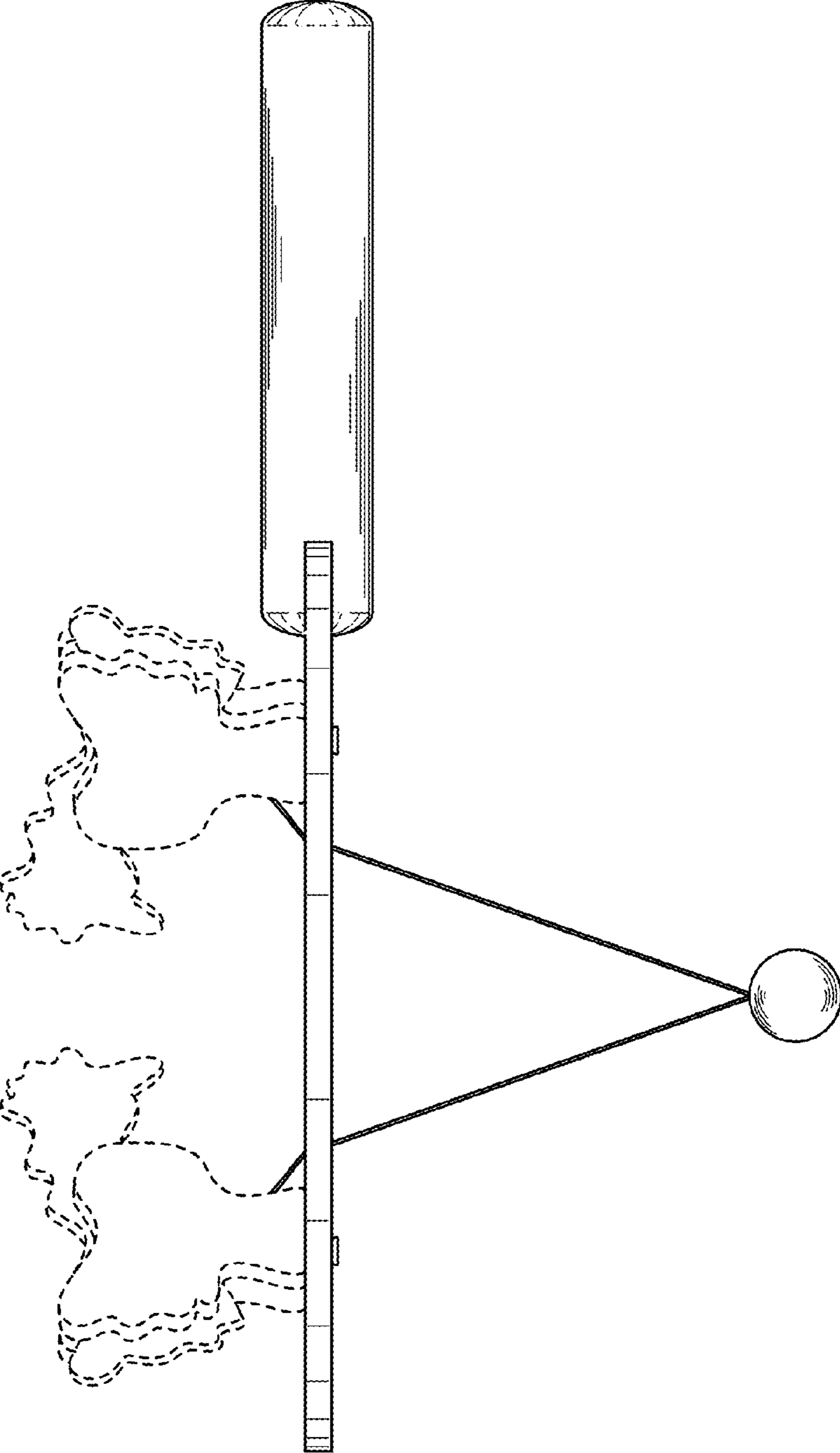


FIG. 2

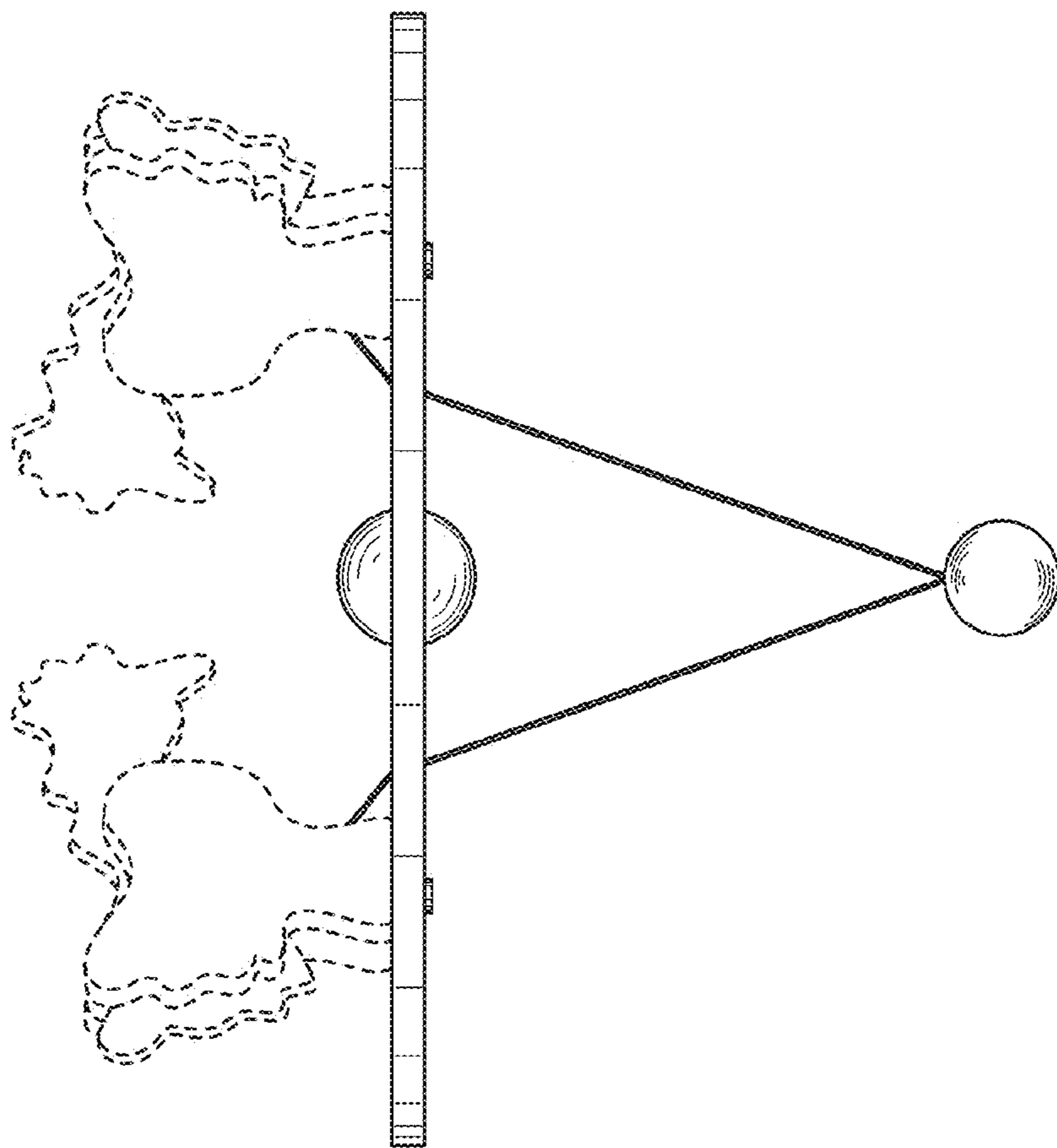


FIG. 3

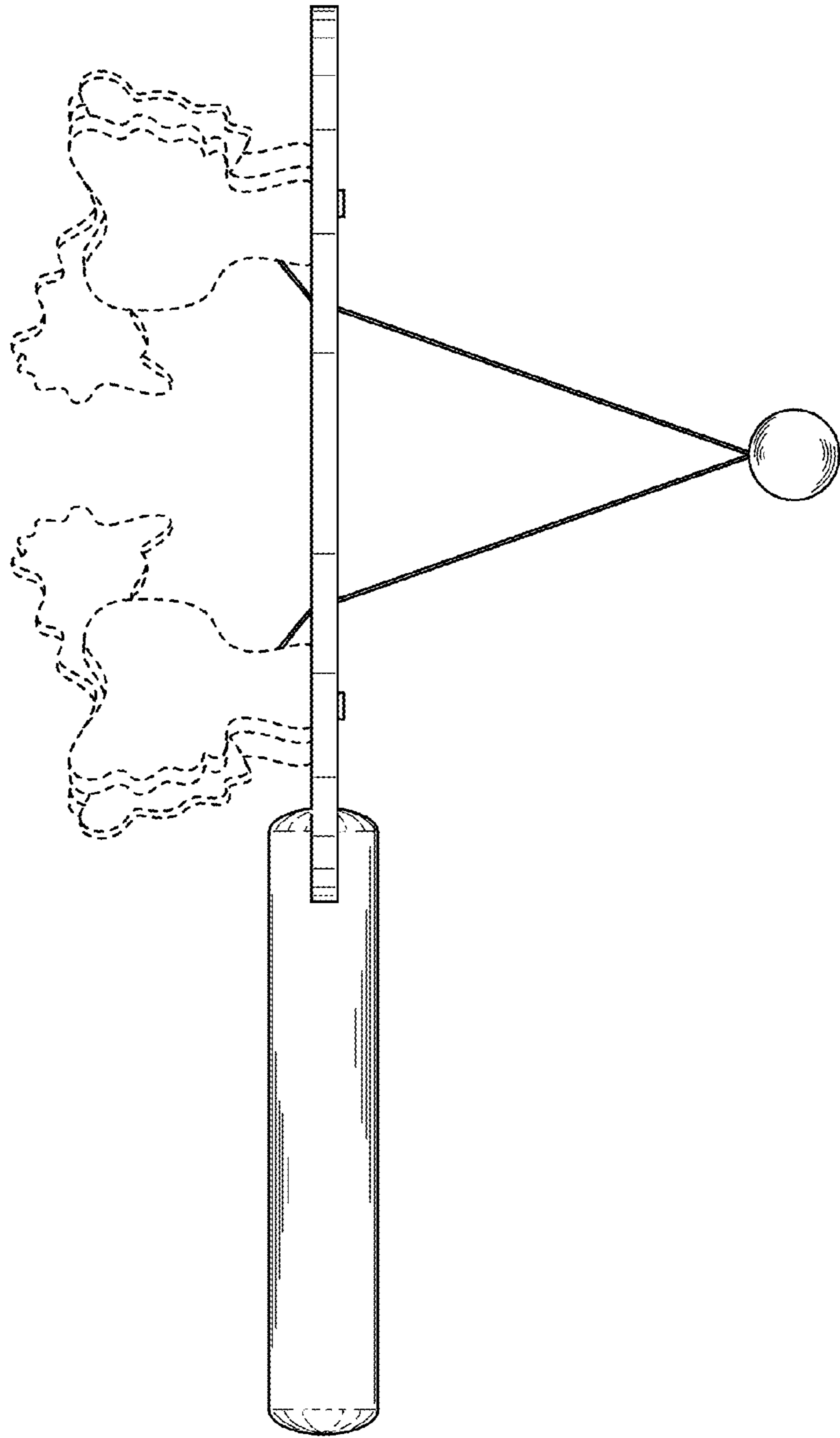


FIG. 4

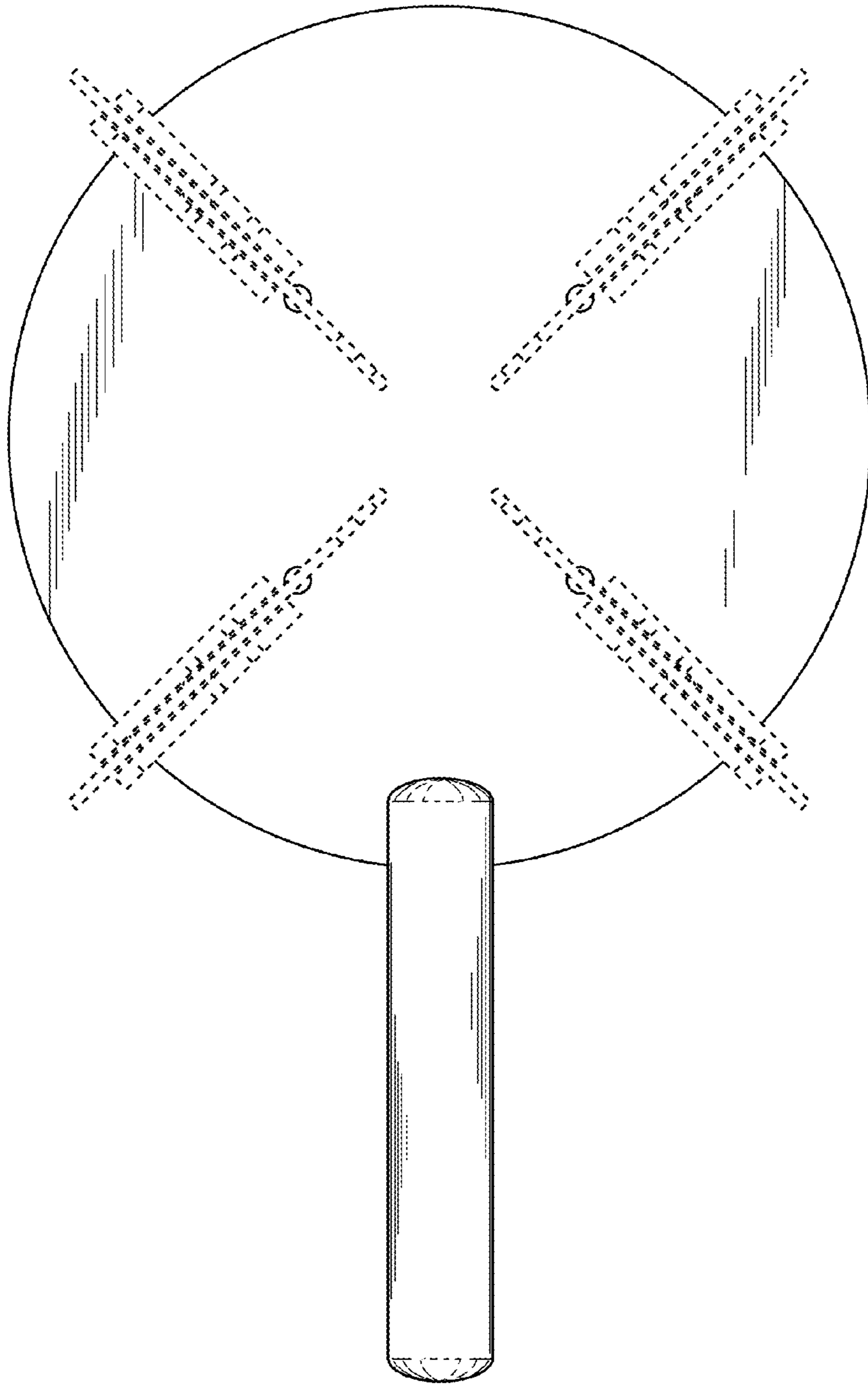


FIG. 5

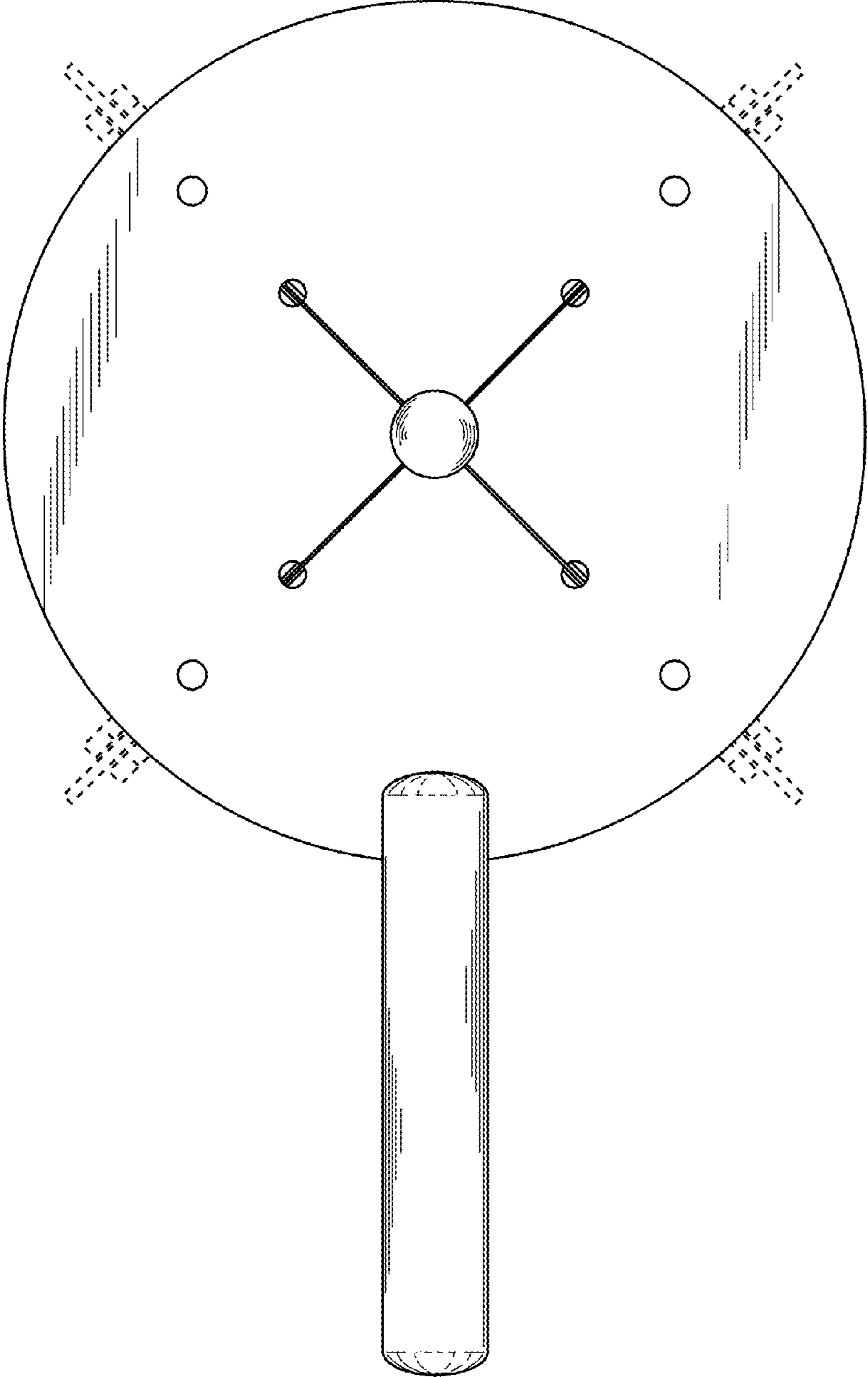


FIG. 6

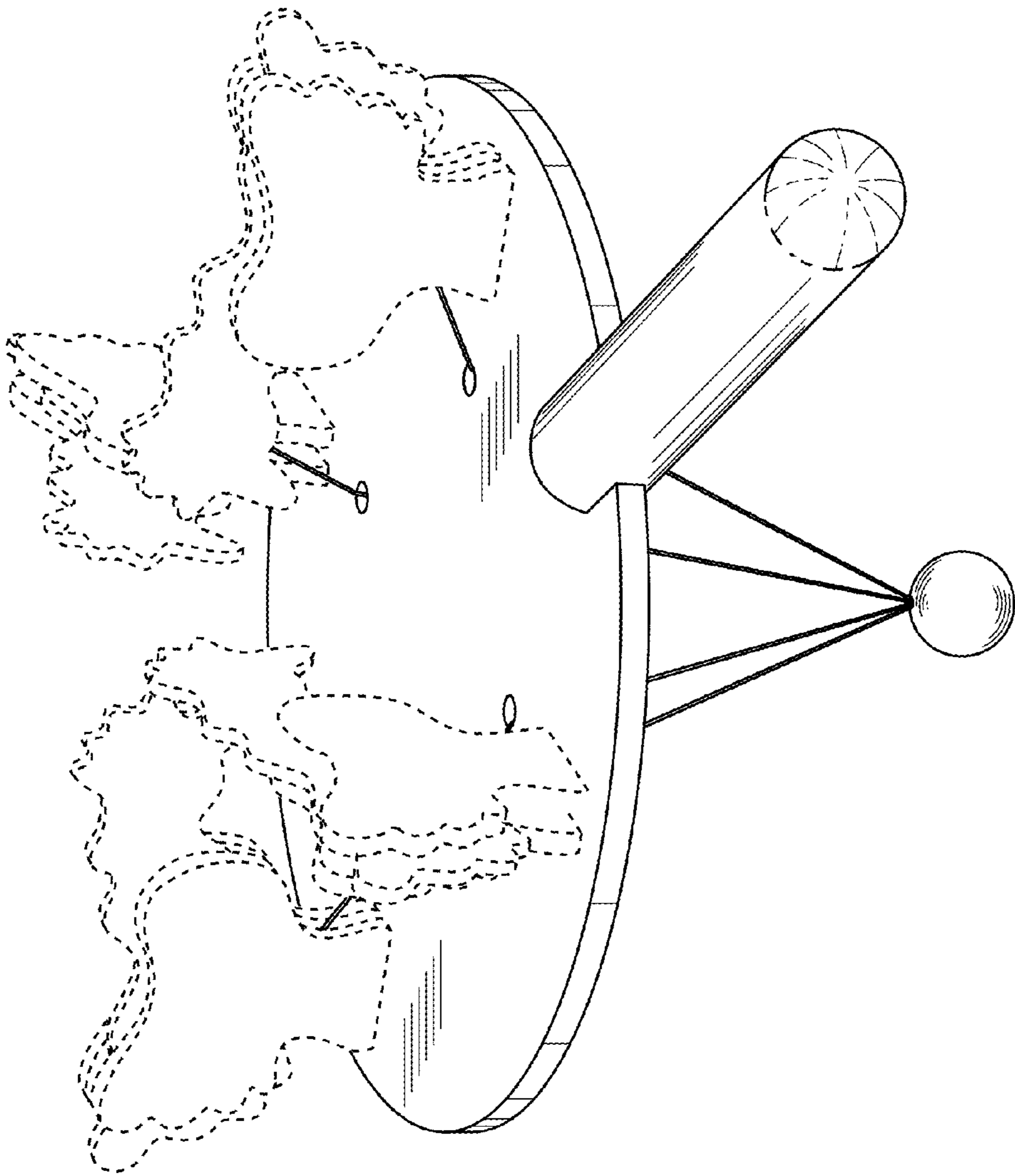


FIG. 7