



US00D741409S

(12) **United States Design Patent**
Moulton

(10) **Patent No.:** **US D741,409 S**

(45) **Date of Patent:** **** Oct. 20, 2015**

(54) **BAG TOSS GAME TARGET**

(71) Applicant: **Eric D. Moulton**, Marysville, OH (US)

(72) Inventor: **Eric D. Moulton**, Marysville, OH (US)

(**) Term: **14 Years**

(21) Appl. No.: **29/509,373**

(22) Filed: **Nov. 17, 2014**

(51) **LOC (10) Cl.** **21-01**

(52) **U.S. Cl.**
USPC **D21/303**

(58) **Field of Classification Search**
USPC D21/300, 302, 303, 318, 334; 273/317,
273/331, 336, 398, 400, 402, 407, 408, 410,
273/118 R, 123 R, 236, 348, 386, 287;
473/569, 578, 592
CPC A63B 63/00; A63B 67/00; A63B 71/00
See application file for complete search history.

(56) **References Cited**

U.S. PATENT DOCUMENTS

1,503,415	A *	7/1924	Fohmann	A63F 7/305 273/123 R
1,773,813	A *	8/1930	Gourlay	A63F 67/02 144/144.3
D192,148	S *	1/1962	Brodie	D21/303
5,320,360	A *	6/1994	St. Pierre	A63F 9/0204 273/402
5,704,512	A *	1/1998	Falk et al.	B29C 65/02 220/501
7,523,942	B2 *	4/2009	Chung	A63B 24/0021 273/317.1
7,775,525	B2 *	8/2010	Staver	A63B 67/06 273/317.1
7,887,059	B2 *	2/2011	Kiernan	A63B 63/08 273/317.2

D645,520	S *	9/2011	Dahl	D21/303
D649,601	S *	11/2011	Buchanan	D21/303
D706,355	S *	6/2014	Montenare	D21/303
D721,137	S *	1/2015	Sindaco	D21/303

* cited by examiner

Primary Examiner — Prabhakar Deshmukh

(74) *Attorney, Agent, or Firm* — Standley Law Group LLP

(57) **CLAIM**

The ornamental design for a bag toss game target, as shown.

DESCRIPTION

FIG. 1 is a top, front perspective view of a bag toss game target showing my new design, with the support arm shown in a collapsed position;

FIG. 2 is a bottom, rear perspective view thereof;

FIG. 3 is a top plan view thereof;

FIG. 4 is a bottom plan view thereof;

FIG. 5 is a front elevational view thereof;

FIG. 6 is a rear elevational view thereof;

FIG. 7 is a right side elevational view thereof;

FIG. 8 is a left side elevational view thereof;

FIG. 9 is a sectional view taken along line 9-9 of FIG. 5;

FIG. 10 is a top, front perspective view thereof, with the support arm shown in an extended position;

FIG. 11 is a bottom, rear perspective view of FIG. 10;

FIG. 12 is a top plan view of FIG. 10;

FIG. 13 is a bottom plan view of FIG. 10;

FIG. 14 is a front elevational view of FIG. 10;

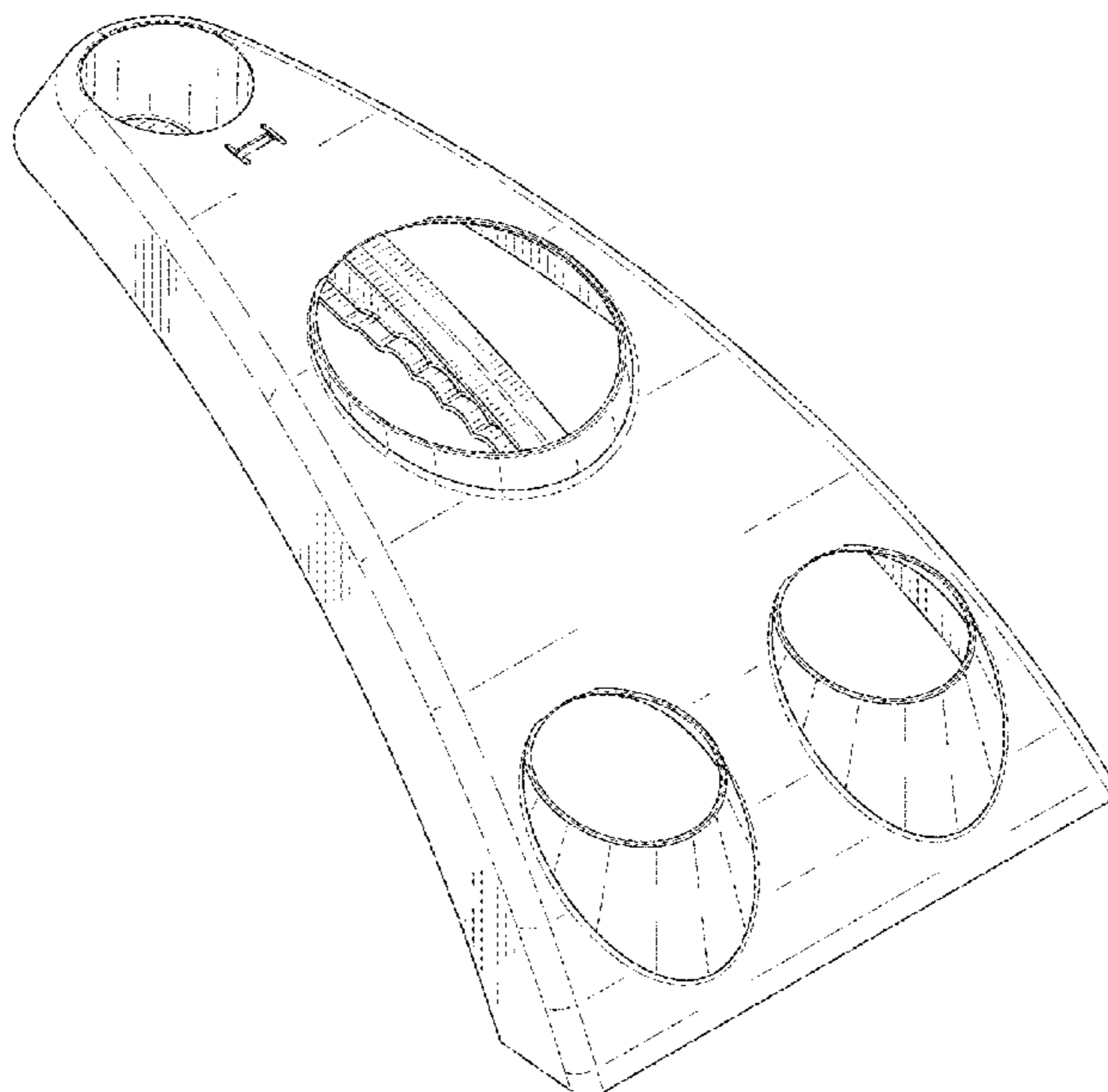
FIG. 15 is a rear elevational view of FIG. 10;

FIG. 16 is a right side elevational view of FIG. 10;

FIG. 17 is a left side elevational view of FIG. 10; and,

FIG. 18 is a sectional view taken along line 9-9 of FIG. 14.

1 Claim, 12 Drawing Sheets



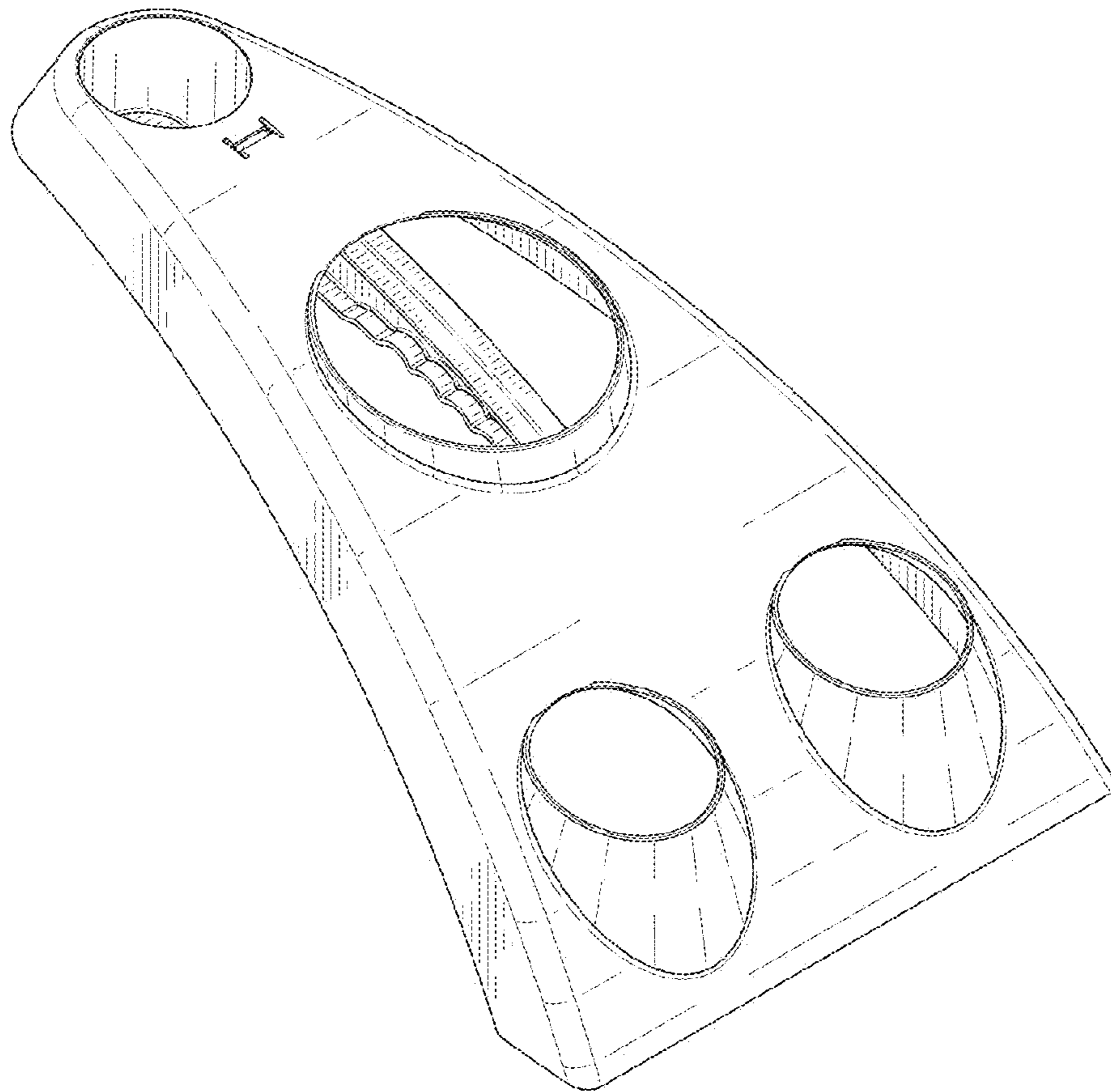


FIG-1

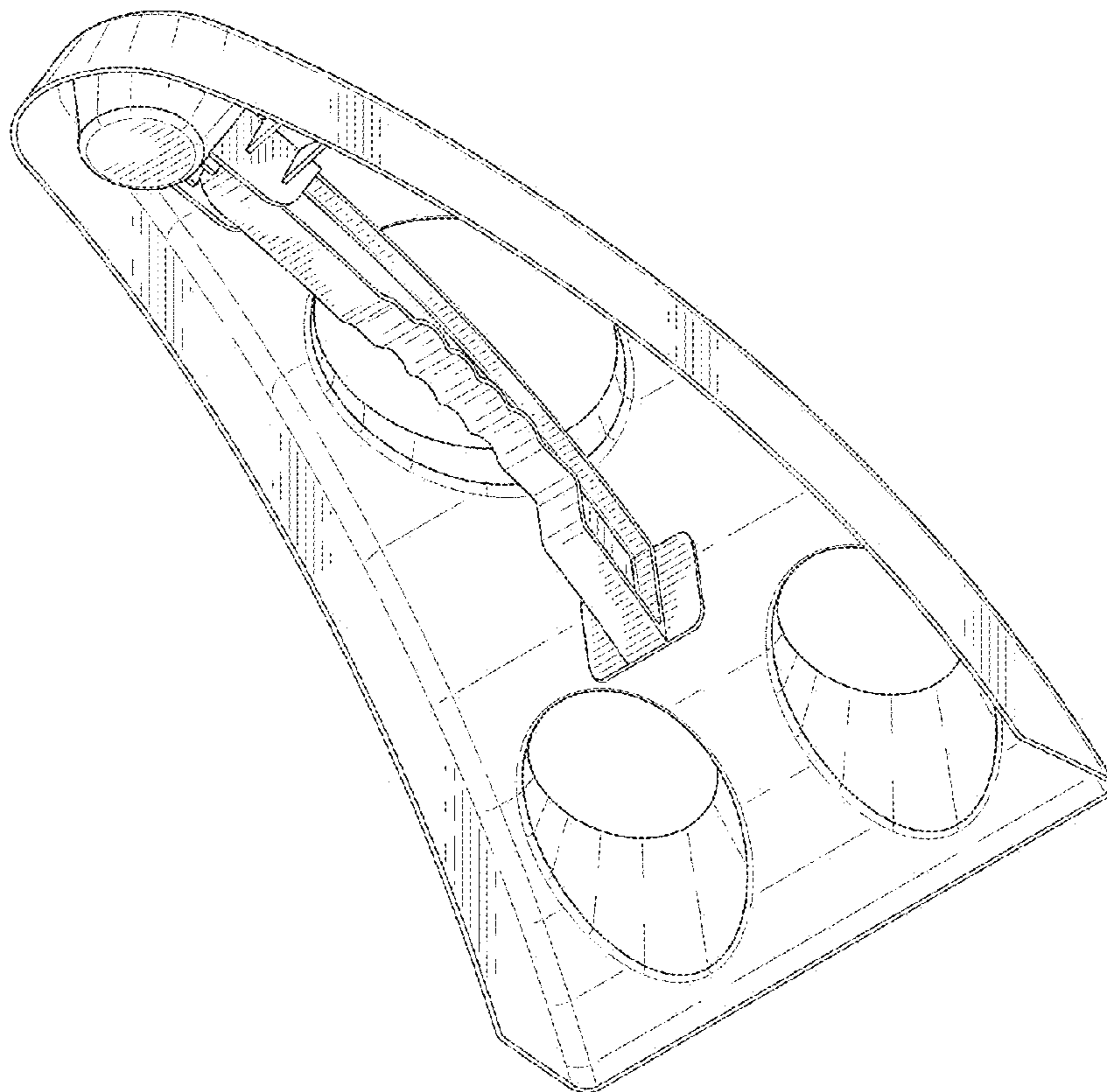


FIG-2

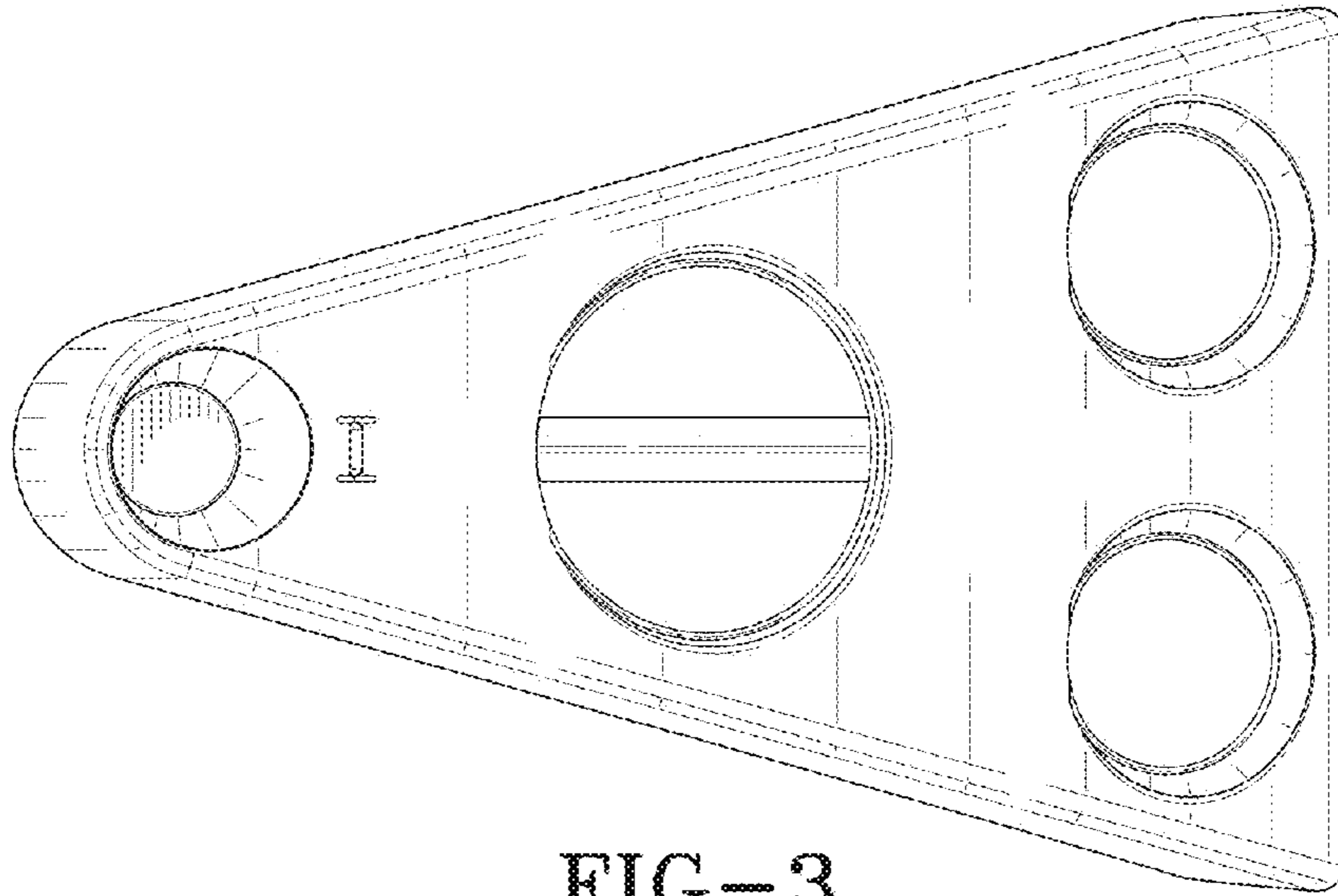


FIG-3

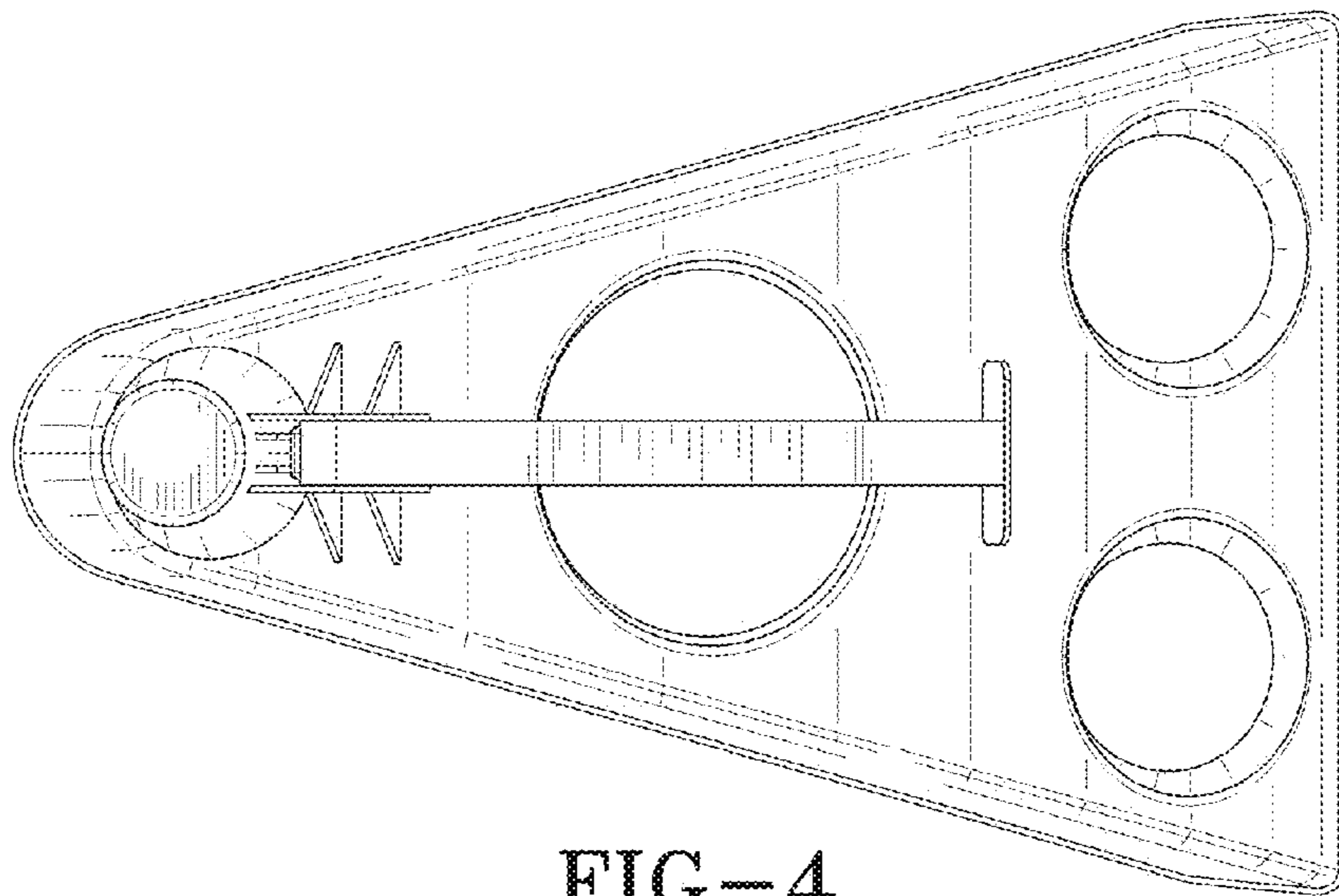


FIG-4

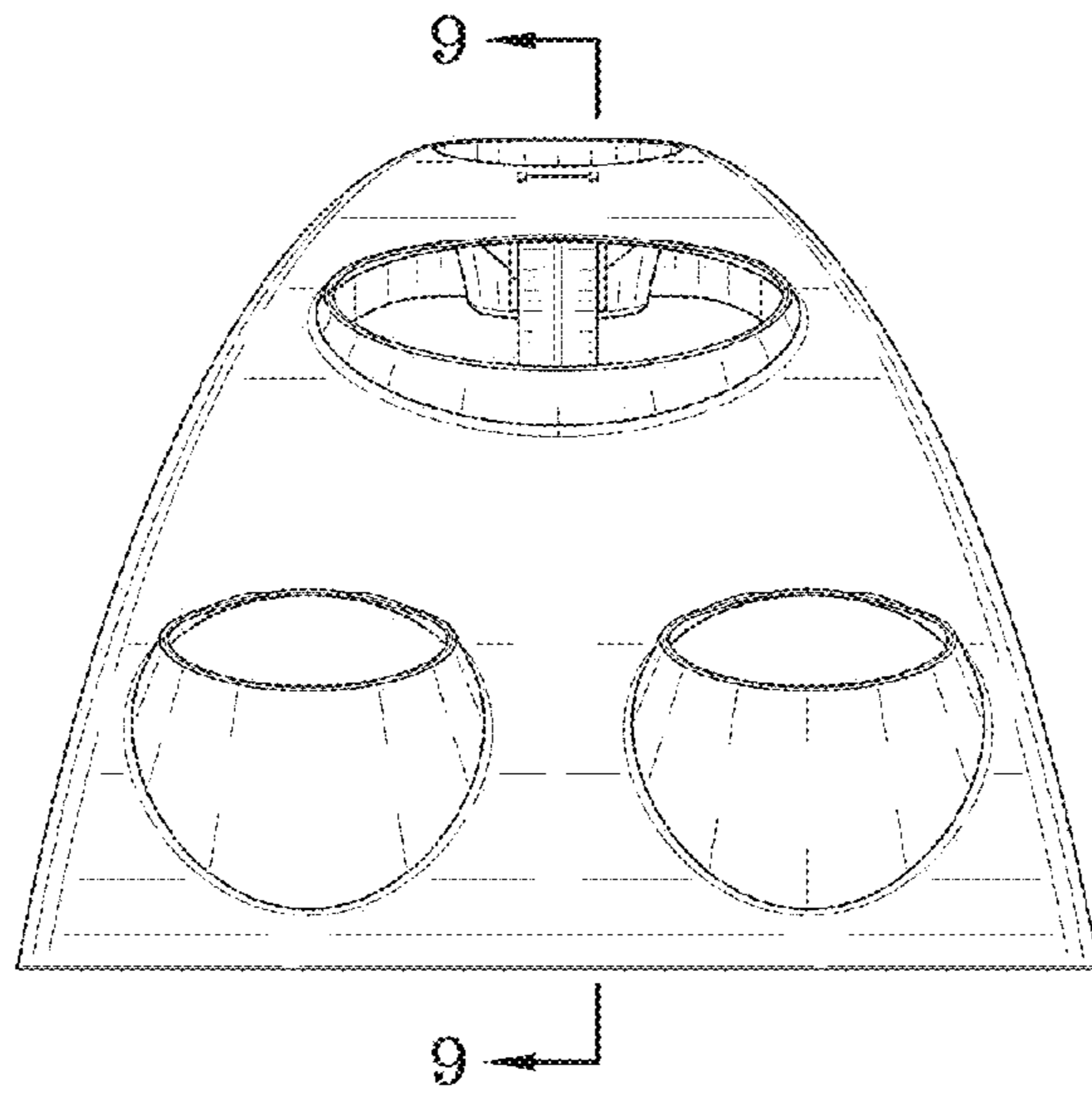


FIG-5

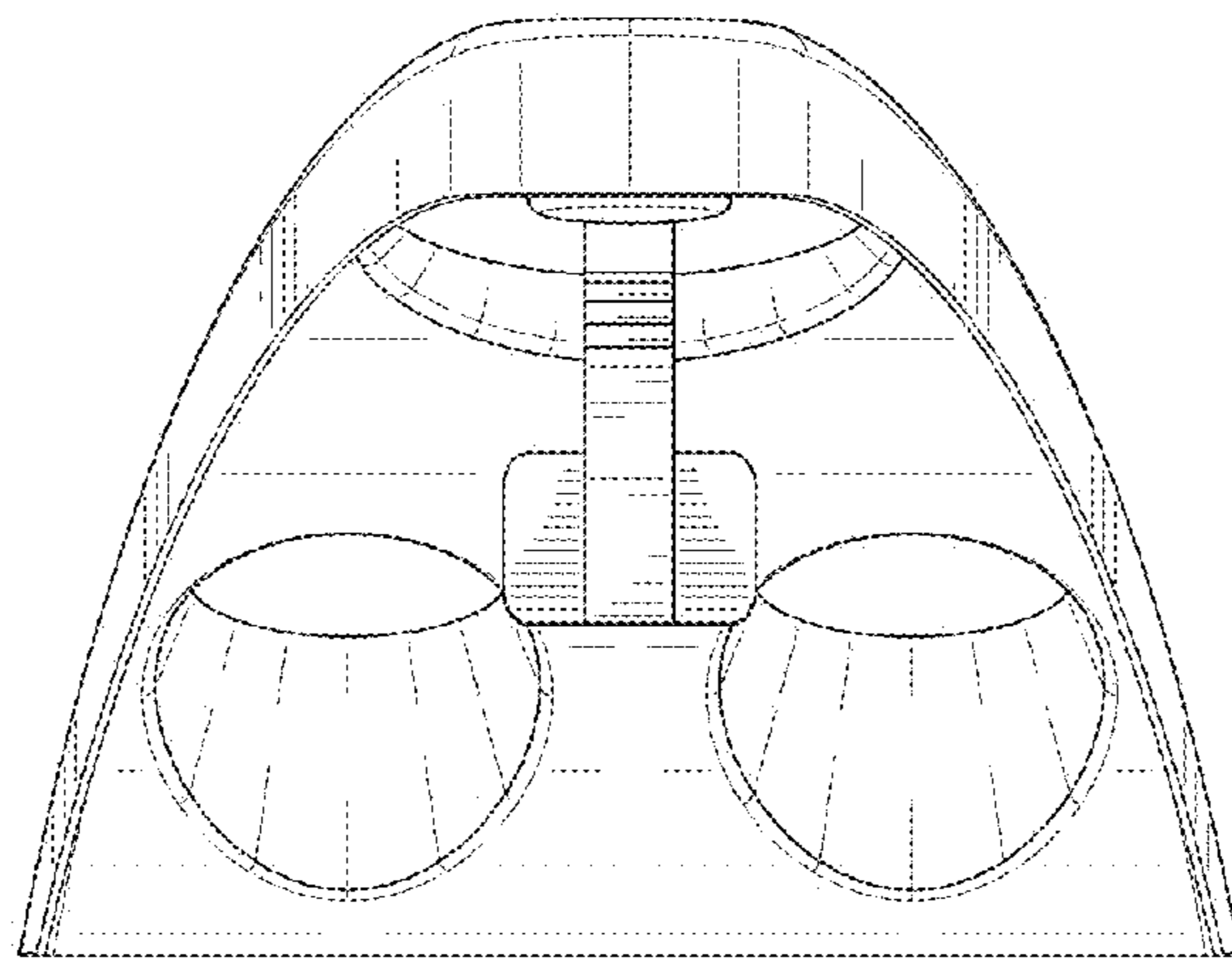
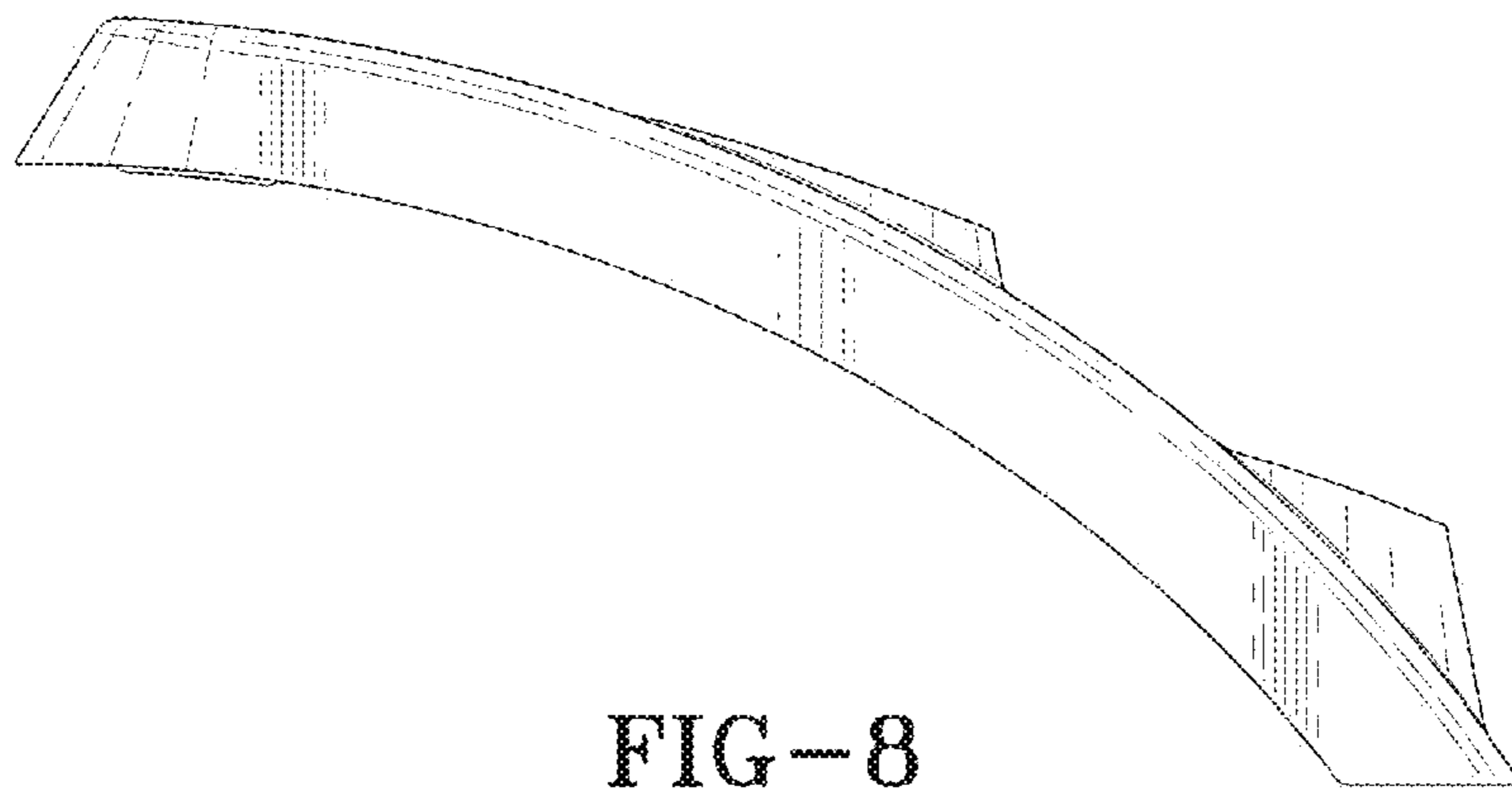
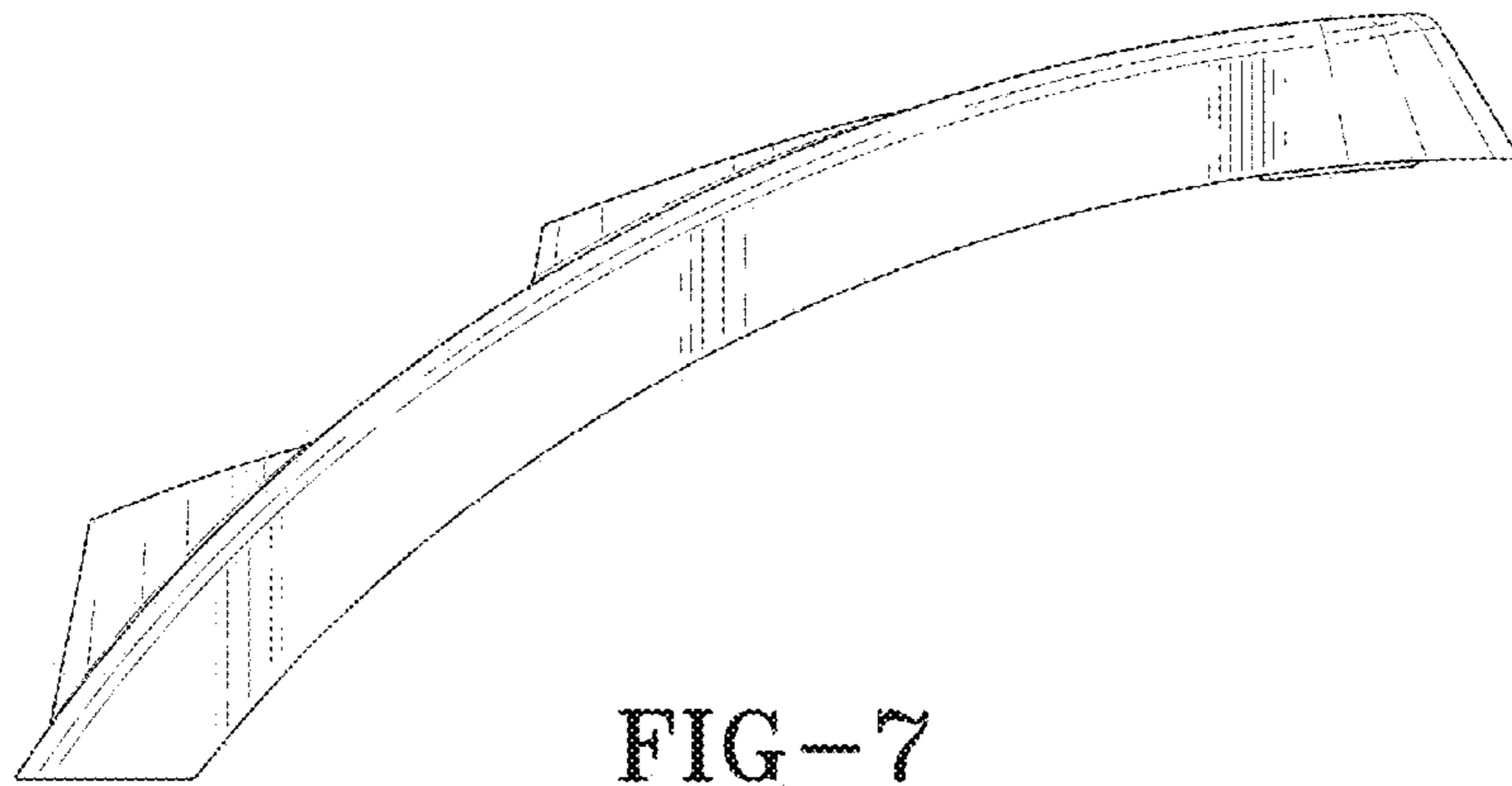


FIG-6



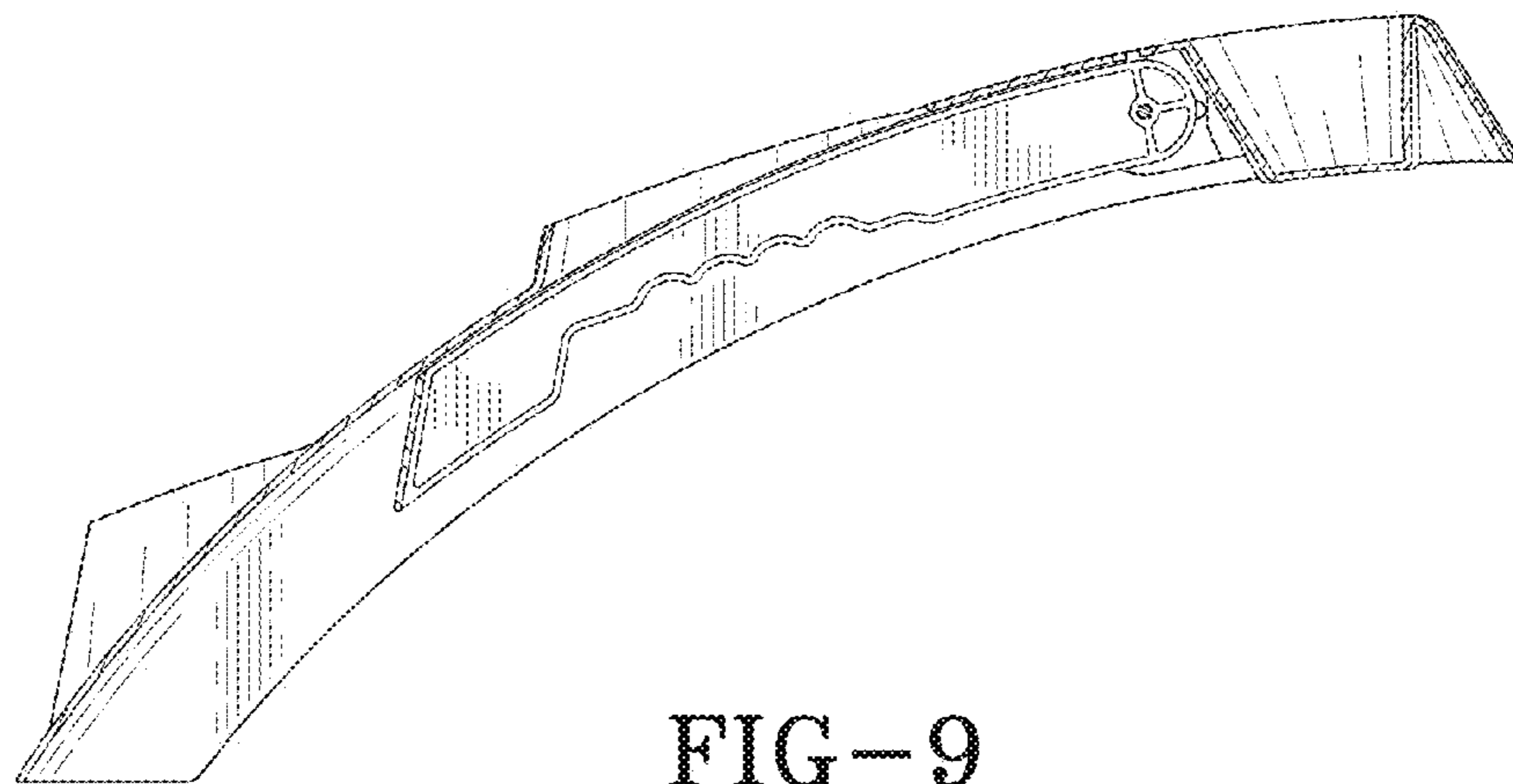


FIG-9

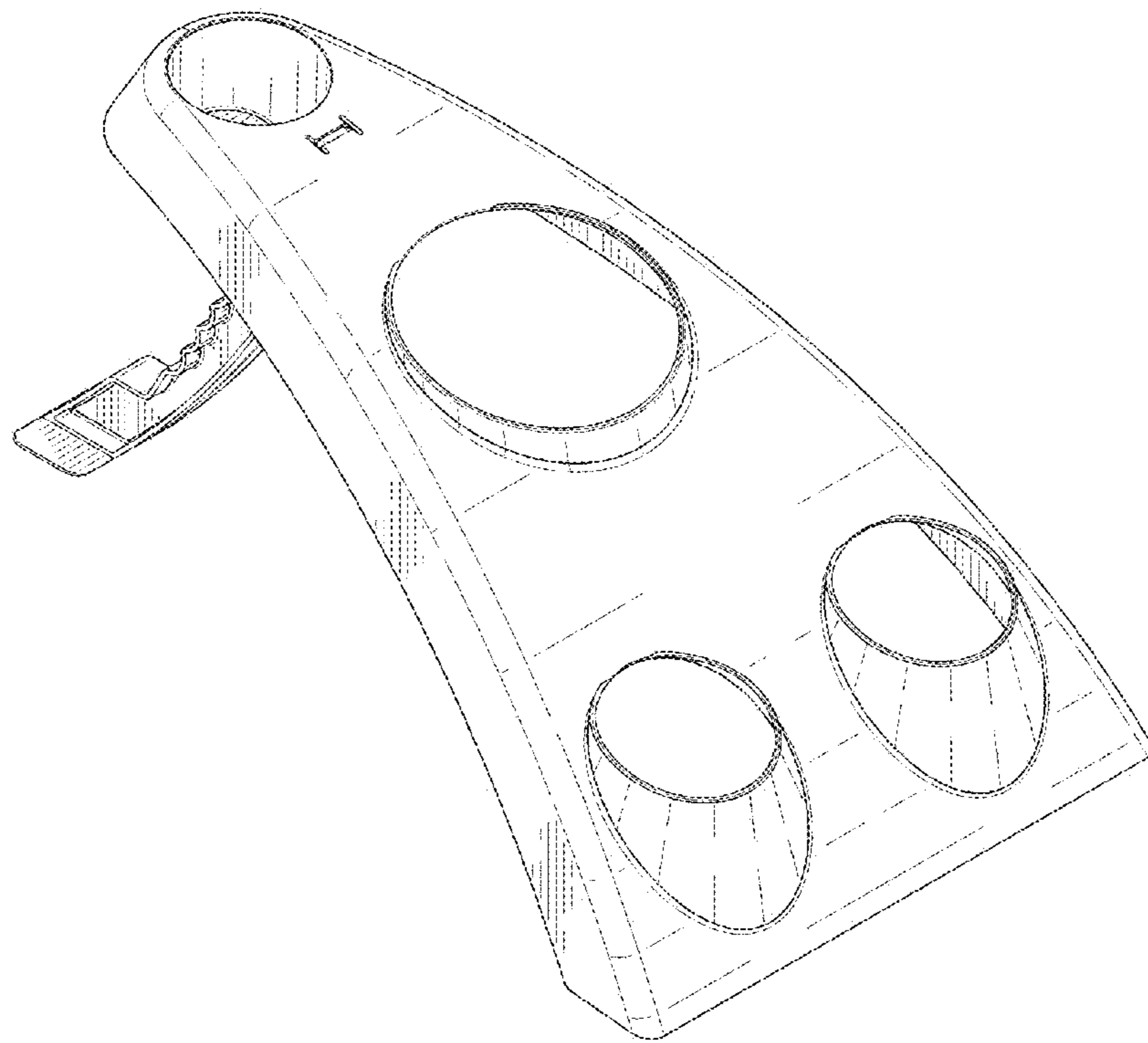


FIG-10

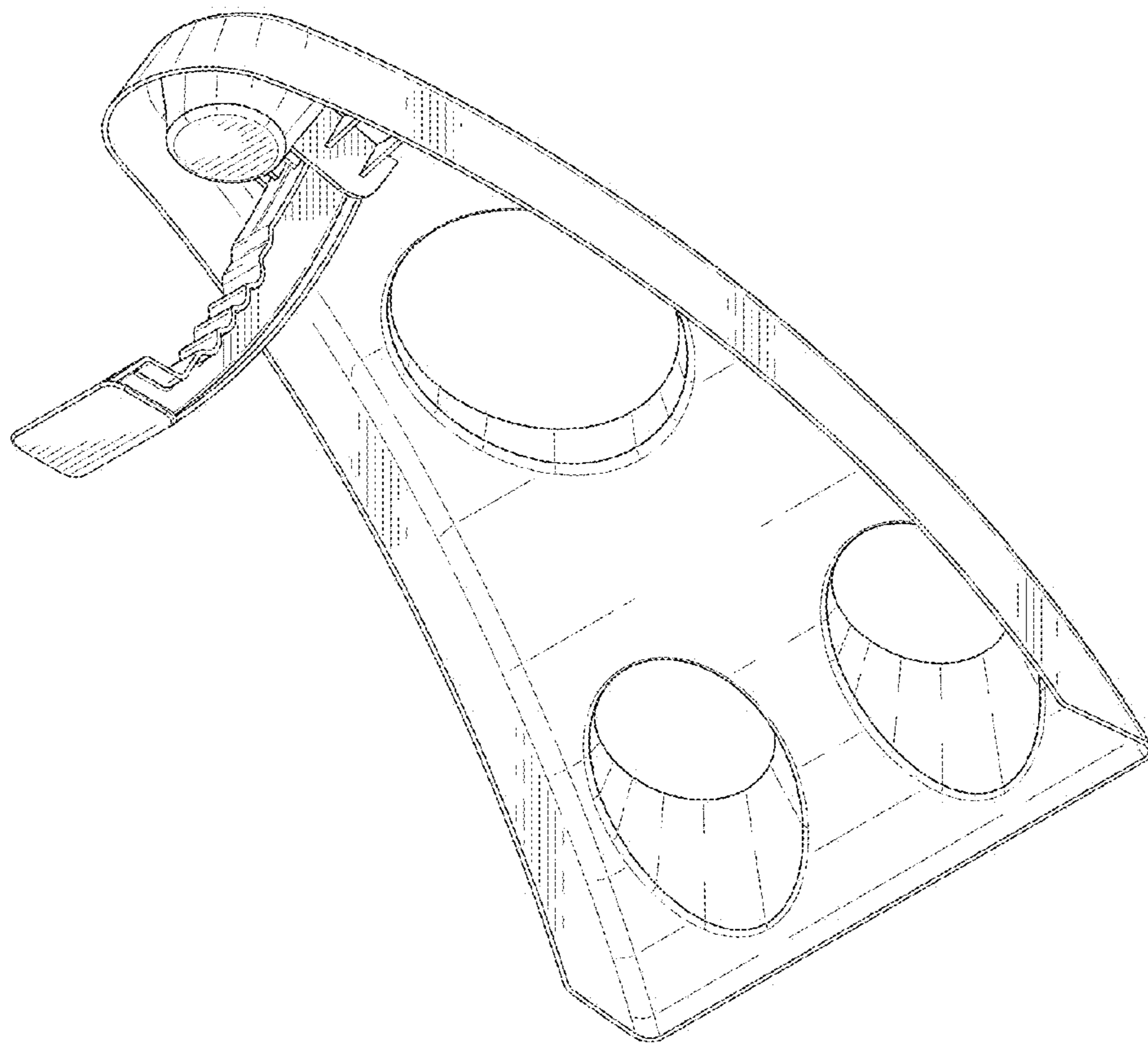


FIG-11

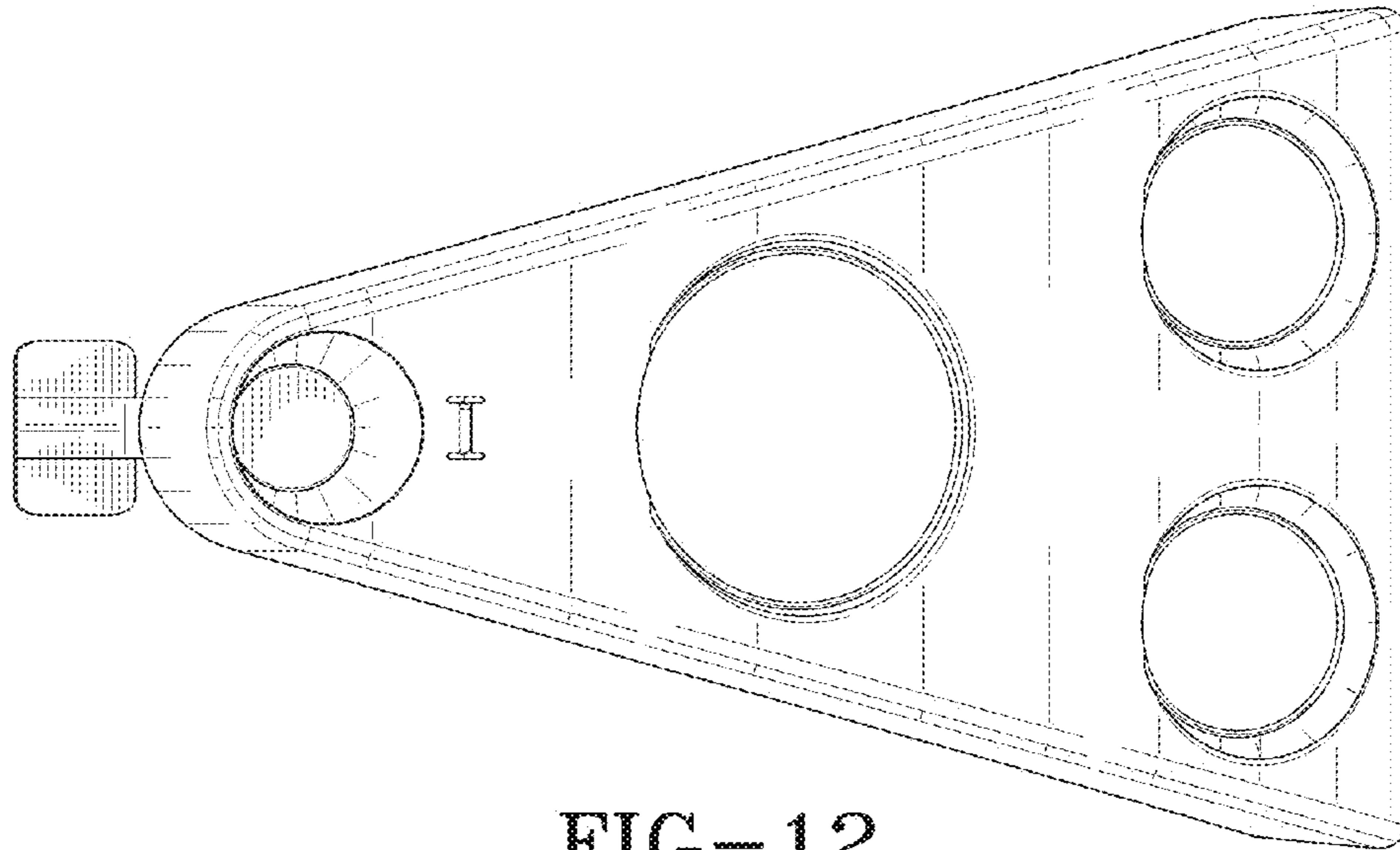


FIG-12

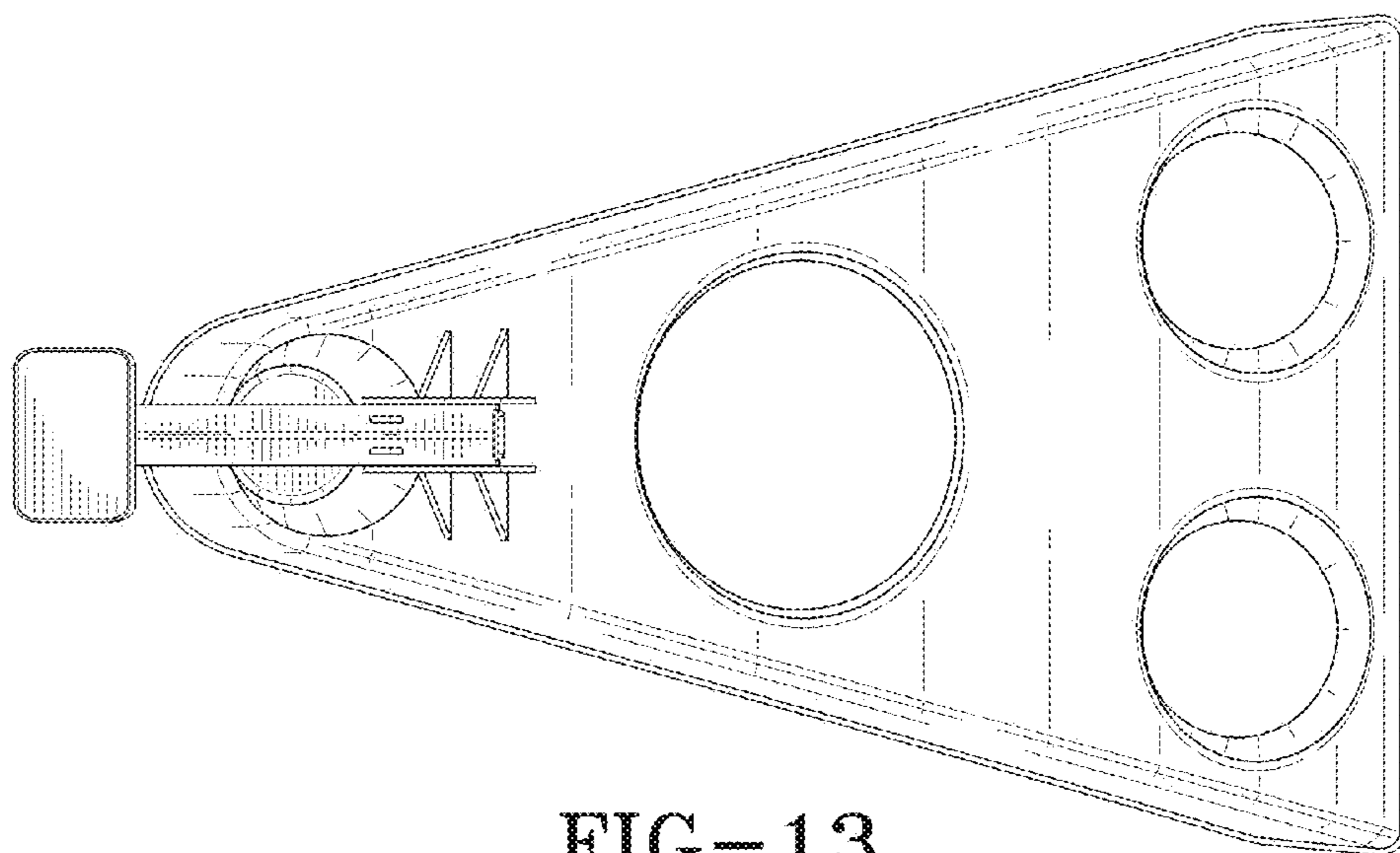


FIG-13

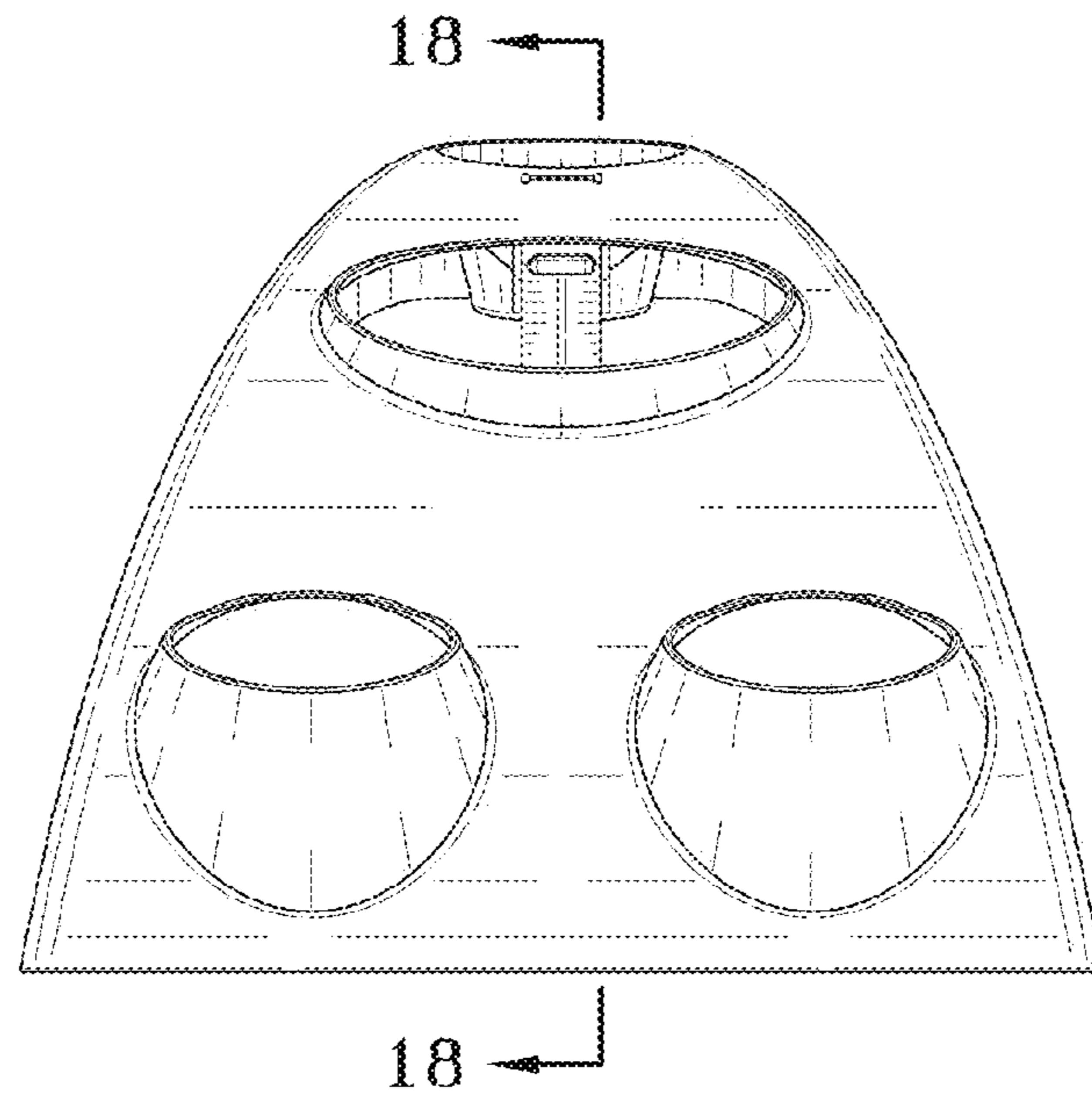


FIG-14

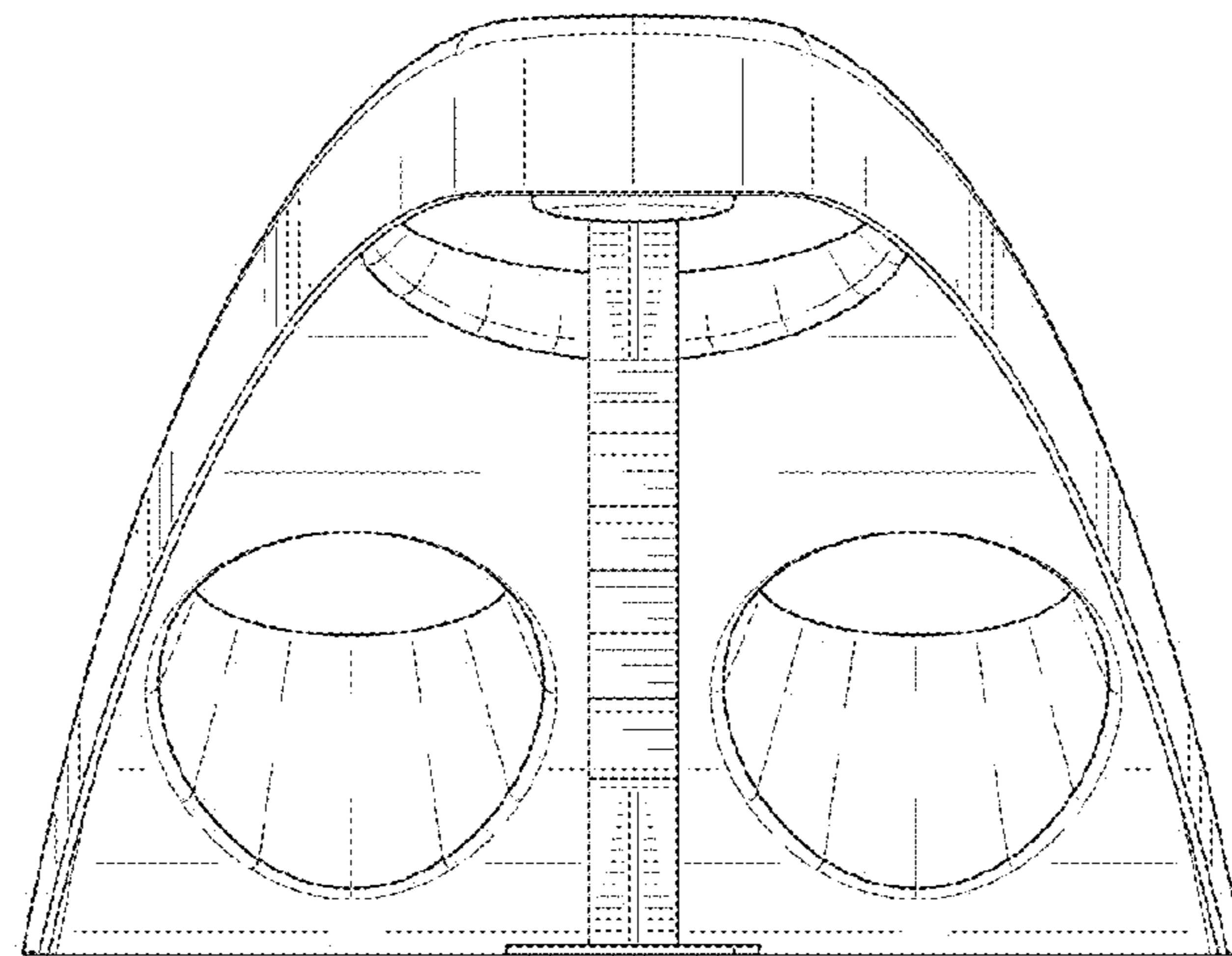
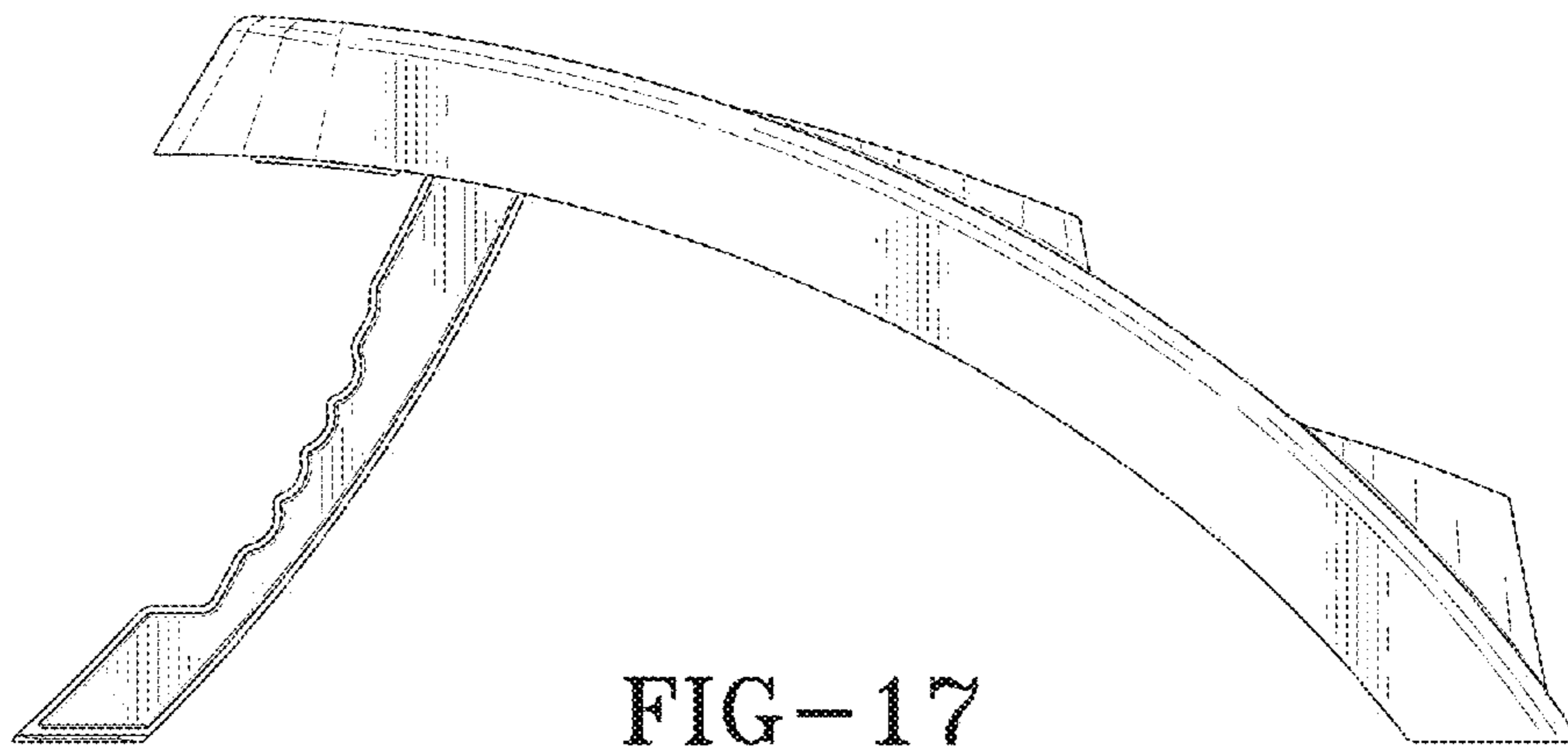
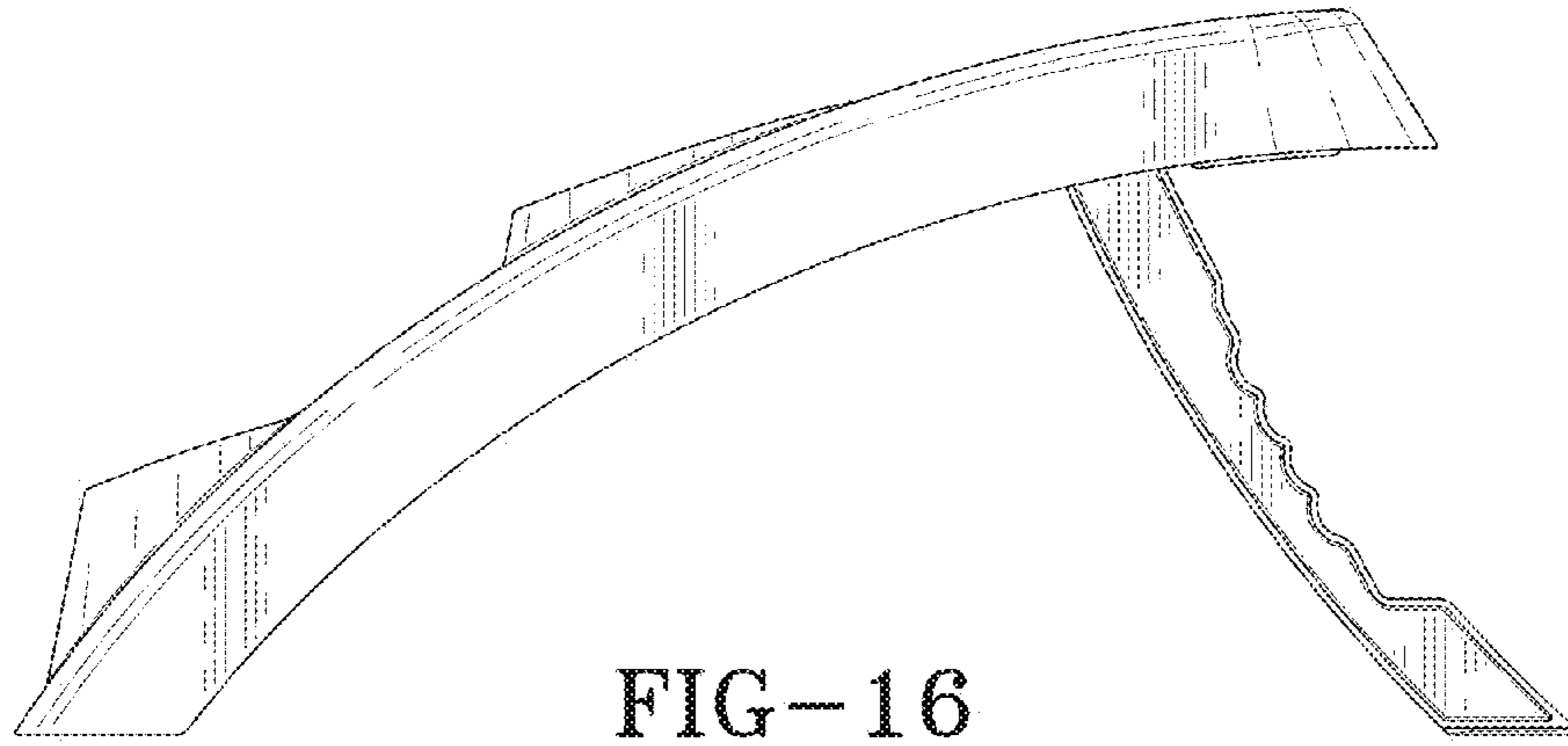


FIG-15



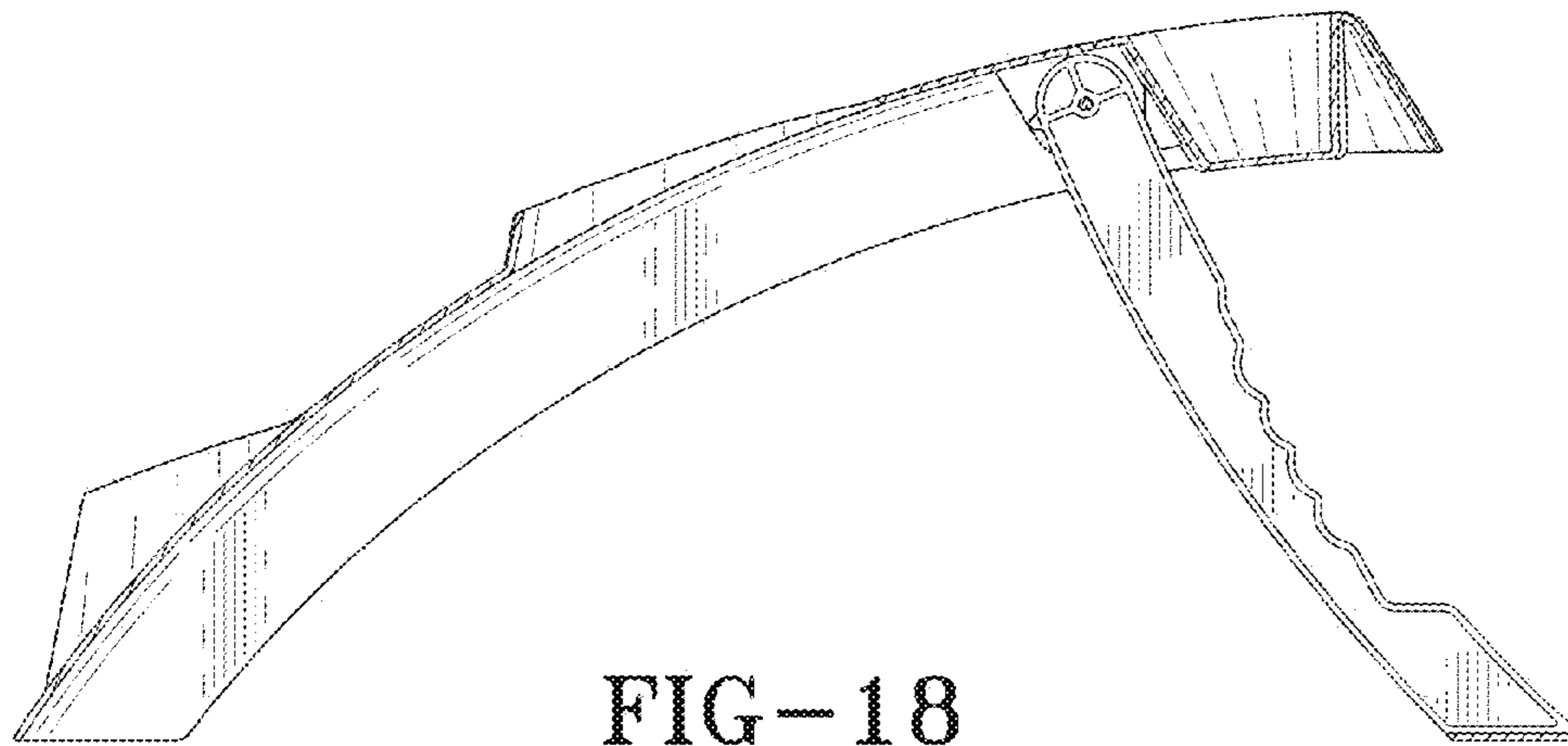


FIG-18