



US00D741407S

(12) **United States Design Patent**  
**Matthews**

(10) **Patent No.:** **US D741,407 S**

(45) **Date of Patent:** **\*\* \*Oct. 20, 2015**

(54) **BIBLE BOOK HOLDER**

(71) Applicant: **Joseph C. Matthews**, Repton, AL (US)

(72) Inventor: **Joseph C. Matthews**, Repton, AL (US)

(\*) Notice: This patent is subject to a terminal disclaimer.

(\*\*) Term: **14 Years**

(21) Appl. No.: **29/474,147**

(22) Filed: **Jun. 18, 2014**

(51) **LOC (10) Cl.** ..... **19-02**

(52) **U.S. Cl.**  
USPC ..... **D19/91**

(58) **Field of Classification Search**  
USPC ..... D19/75-80, 86, 87, 89-92; 206/215,  
206/425, 556, 557; 211/10, 11, 42, 45, 50,  
211/88.01, 126.1, 106; D6/406.1, 406.2,  
D6/700, 701  
CPC ..... A47B 23/004; A47B 23/042  
See application file for complete search history.

(56) **References Cited**

**U.S. PATENT DOCUMENTS**

229,740	A	7/1880	Murphy	
985,294	A *	2/1911	Senecal	248/451
1,359,816	A *	11/1920	McNichol	281/42
D130,673	S *	12/1941	Kluson	D6/511
2,336,679	A *	12/1943	Geib	248/462
3,076,285	A *	2/1963	Sparkman	248/448

3,083,835	A *	4/1963	Coralline	211/118
3,146,986	A	9/1964	Gorth, Sr.	
D286,478	S *	11/1986	Oakes, Jr.	D6/419
D351,415	S *	10/1994	Pope	D19/34.3
D432,812	S *	10/2000	Rivera	D6/419
6,196,512	B1	3/2001	Ure	
D477,930	S *	8/2003	Minus	D6/419
6,799,744	B1	10/2004	Koistinen	

\* cited by examiner

*Primary Examiner* — Elizabeth Albert

(74) *Attorney, Agent, or Firm* — Paul R. Martin

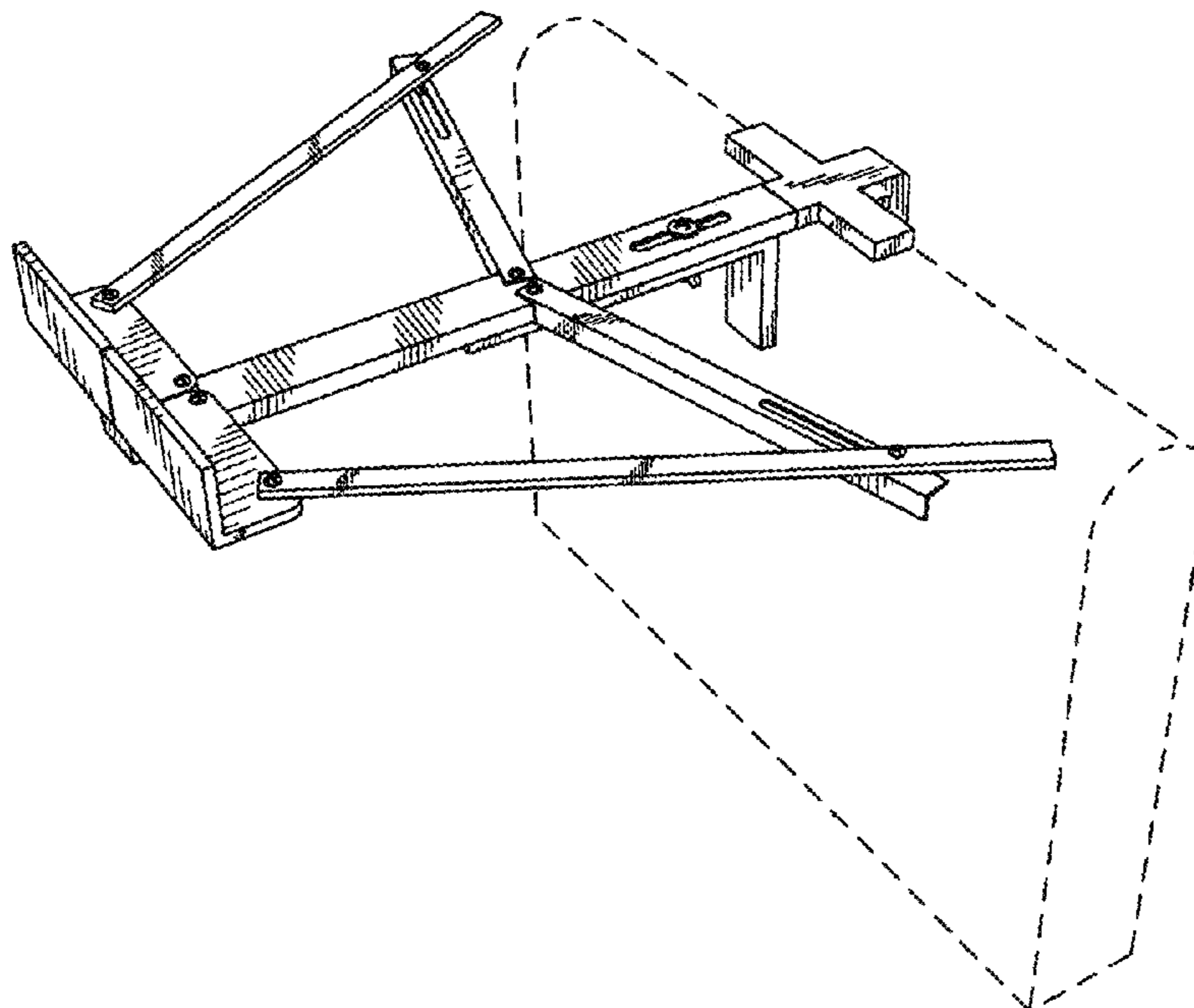
(57) **CLAIM**

The ornamental design a bible book holder, as shown and described.

**DESCRIPTION**

FIG. 1 is a perspective view of the bible book holder of my new design.  
 FIG. 2 is an exploded perspective view thereof.  
 FIG. 3 is a top plan view thereof.  
 FIG. 4 is a bottom plan view thereof.  
 FIG. 5 is an elevational view of the left side thereof.  
 FIG. 6 is an elevational view of the right side thereof.  
 FIG. 7 is an elevational view from the bottom edge thereof, looking upward; and,  
 FIG. 8 is an elevational view from the top edge thereof, looking downward.  
 The broken line figure shown in FIG. 1, illustrating the back of a church pew, is an environmental element, and forms no part of my new design.

**1 Claim, 5 Drawing Sheets**



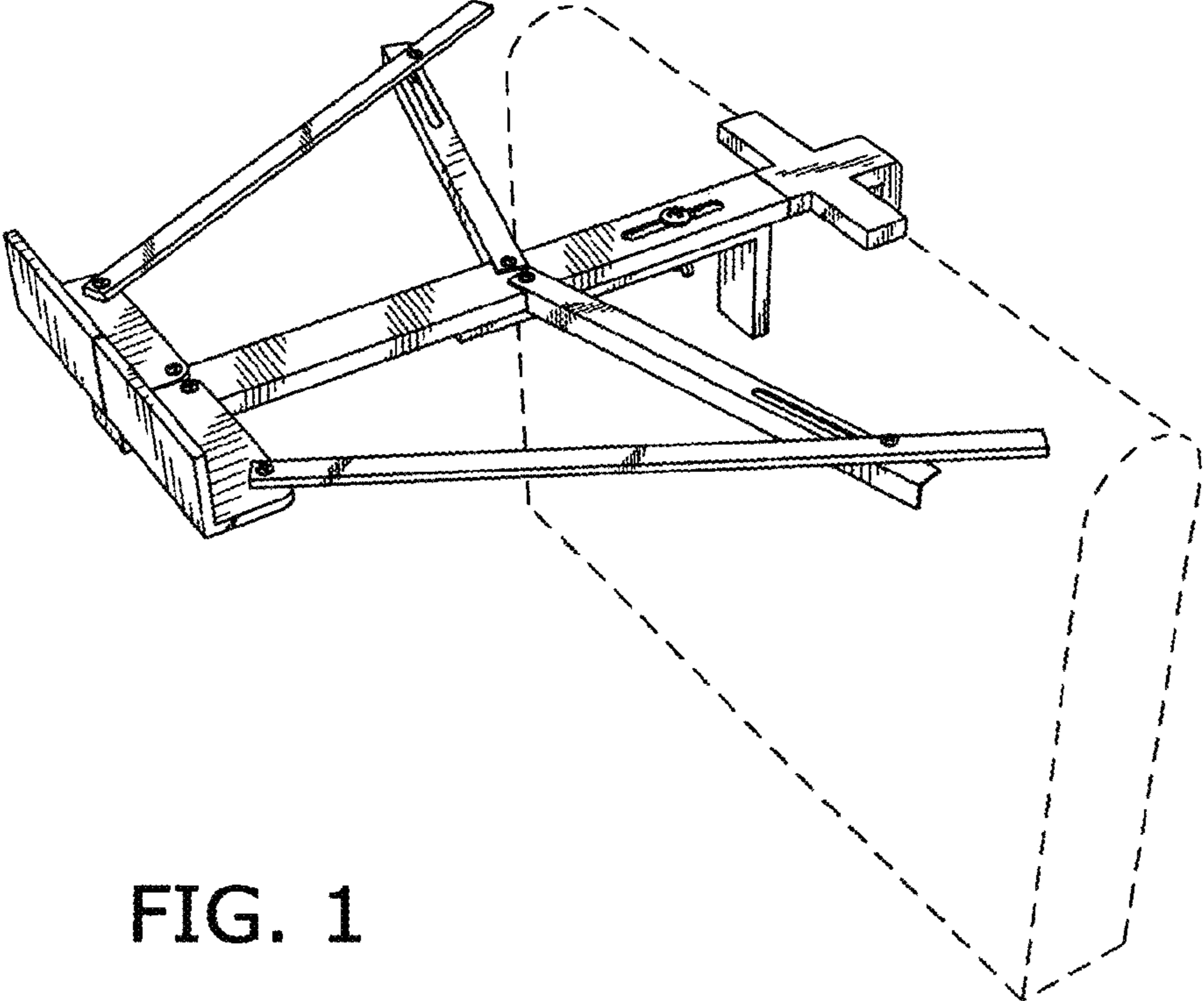


FIG. 1

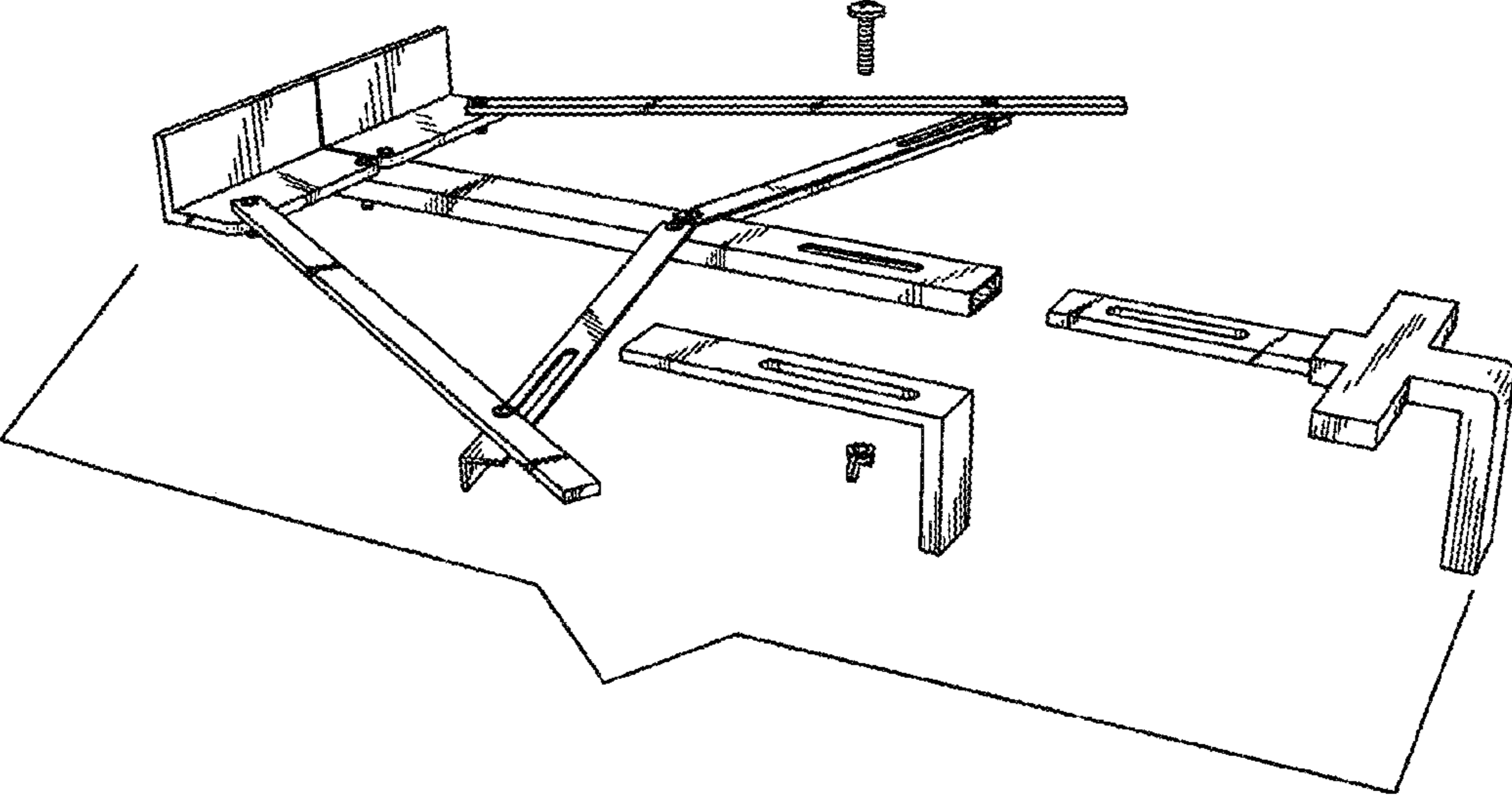


FIG. 2

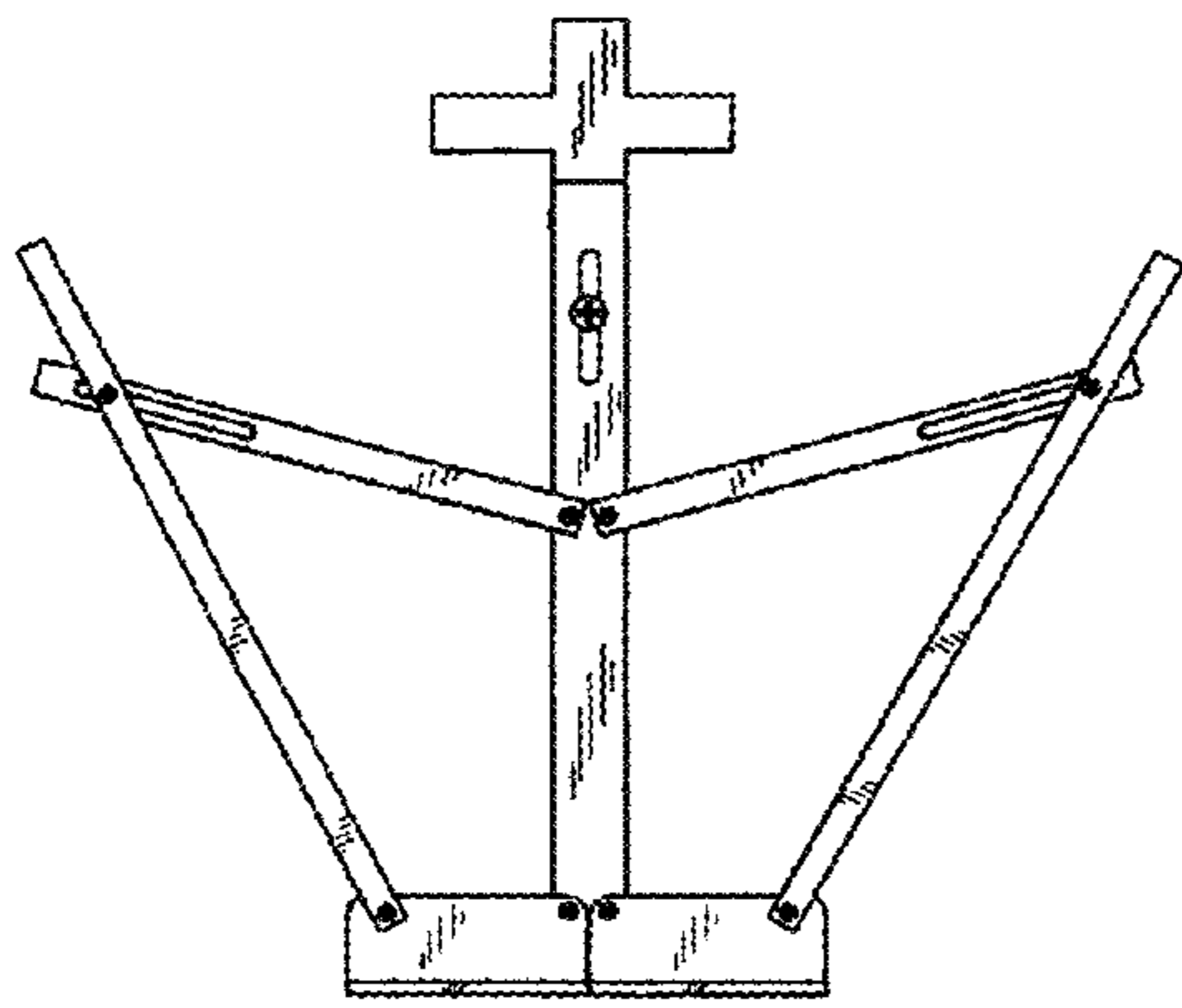


FIG. 3

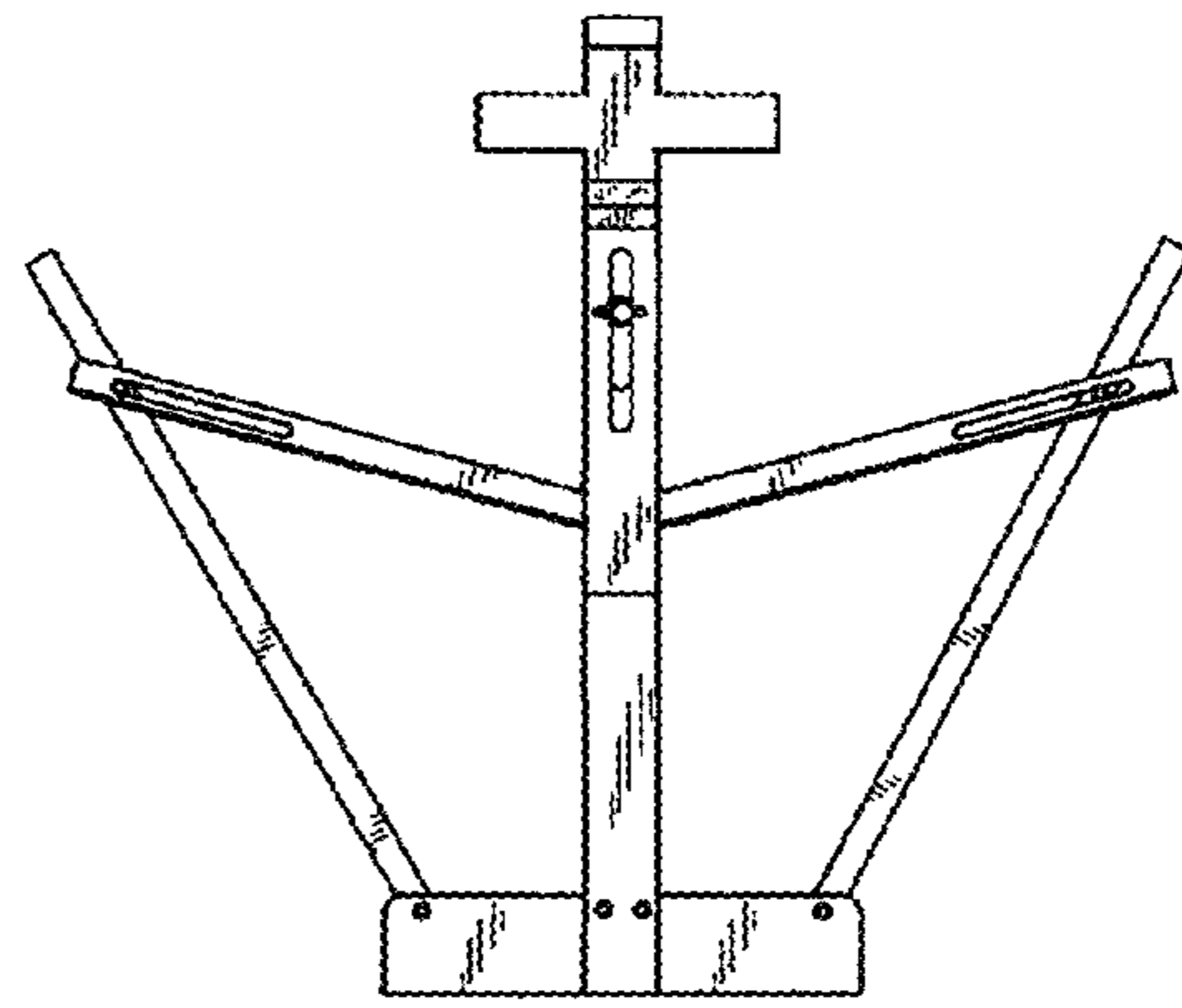


FIG. 4

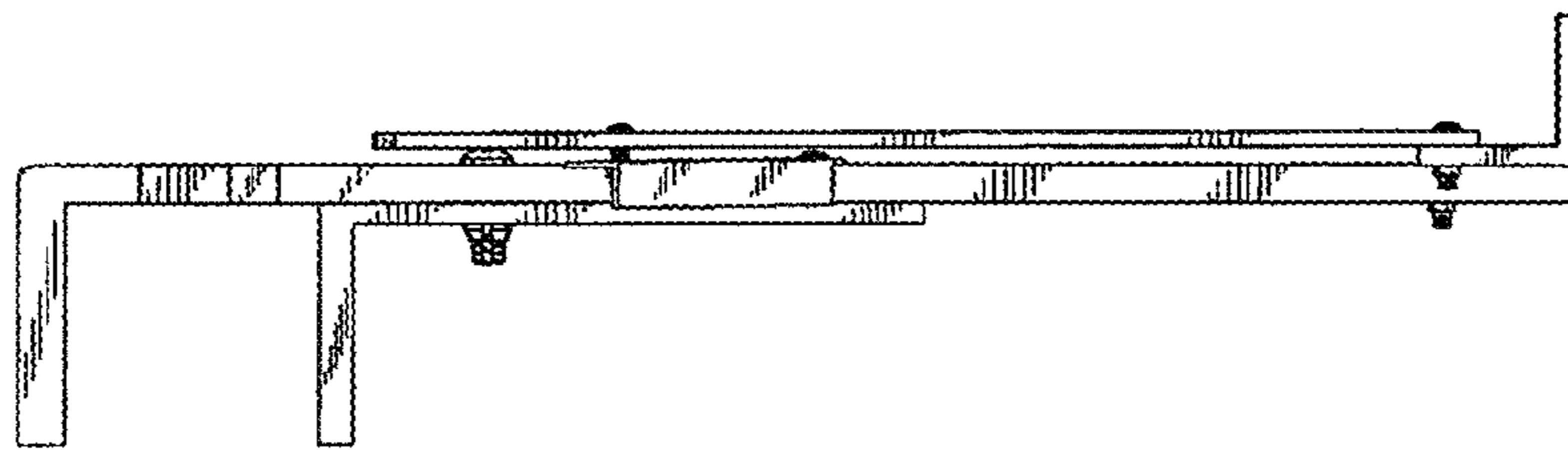


FIG. 5

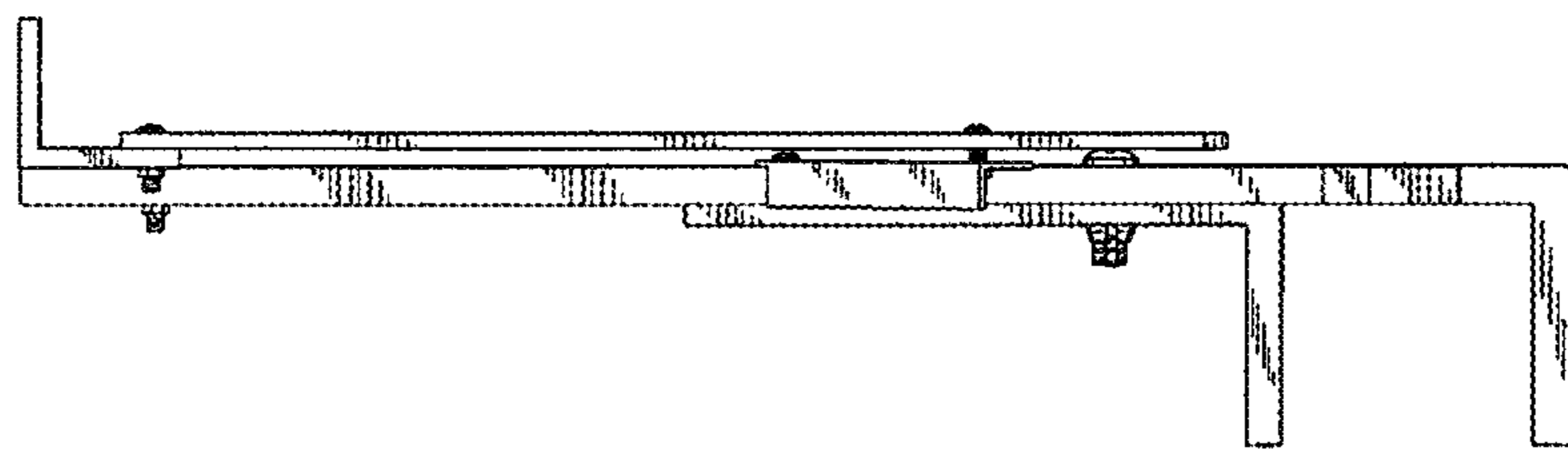


FIG. 6

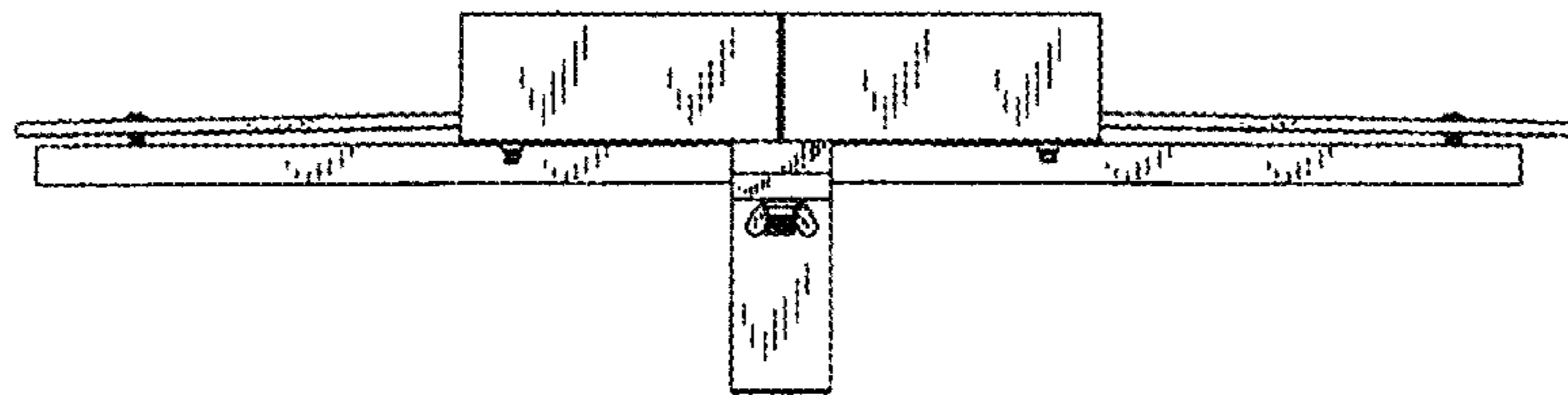


FIG. 7

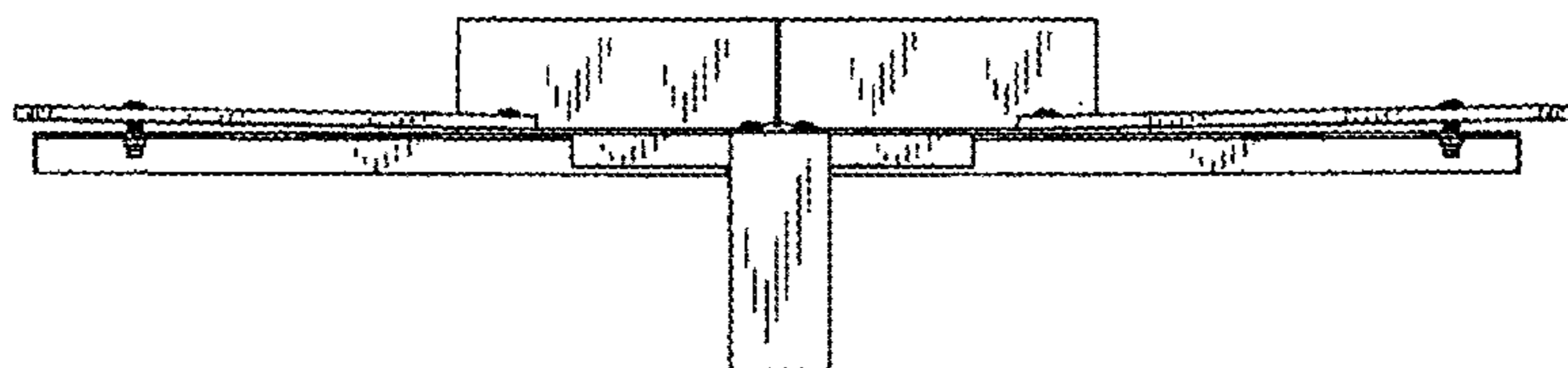


FIG. 8