



US00D741406S

(12) **United States Design Patent**
Doucette

(10) **Patent No.:** **US D741,406 S**
(45) **Date of Patent:** **** Oct. 20, 2015**

(54) **ADHESIVE TAPE ROLL WITH
NON-ADHERENT PULL TAB**

(71) Applicant: **Jeremy Doucette**, Framingham, MA
(US)

(72) Inventor: **Jeremy Doucette**, Framingham, MA
(US)

(**) Term: **14 Years**

(21) Appl. No.: **29/503,349**

(22) Filed: **Sep. 25, 2014**

(51) **LOC (10) Cl.** **19-02**

(52) **U.S. Cl.**
USPC **D19/69**

(58) **Field of Classification Search**
USPC D10/71; D19/69; D24/189; D5/99;
33/494, 758, 562, 759; 101/288;
206/390; 40/638, 641; 428/43; D7/585;
D20/22, 42; D13/182
CPC C08F 220/18
See application file for complete search history.

(56) **References Cited**

U.S. PATENT DOCUMENTS

3,190,443 A 6/1965 Kingsley
4,007,835 A * 2/1977 Klothe 206/411
5,712,210 A * 1/1998 Windisch et al. 442/320

D421,528 S * 3/2000 Shakora D5/99
6,444,307 B1 * 9/2002 Tuoriniemi 428/343
D472,319 S * 3/2003 Oltmann D24/189
6,617,007 B1 9/2003 Cram et al.
6,756,102 B1 * 6/2004 Galo 428/43
6,772,532 B1 * 8/2004 Honea 33/759
D571,859 S * 6/2008 Harmston D19/69
D572,156 S * 7/2008 Payne D10/71
D602,988 S * 10/2009 Alicea et al. D19/69
D602,989 S * 10/2009 Alicea et al. D19/69
D634,128 S * 3/2011 Alicea et al. D5/7
D708,255 S * 7/2014 Stevens et al. D19/69

* cited by examiner

Primary Examiner — Austin Murphy

(74) *Attorney, Agent, or Firm* — Crossley Patent Law

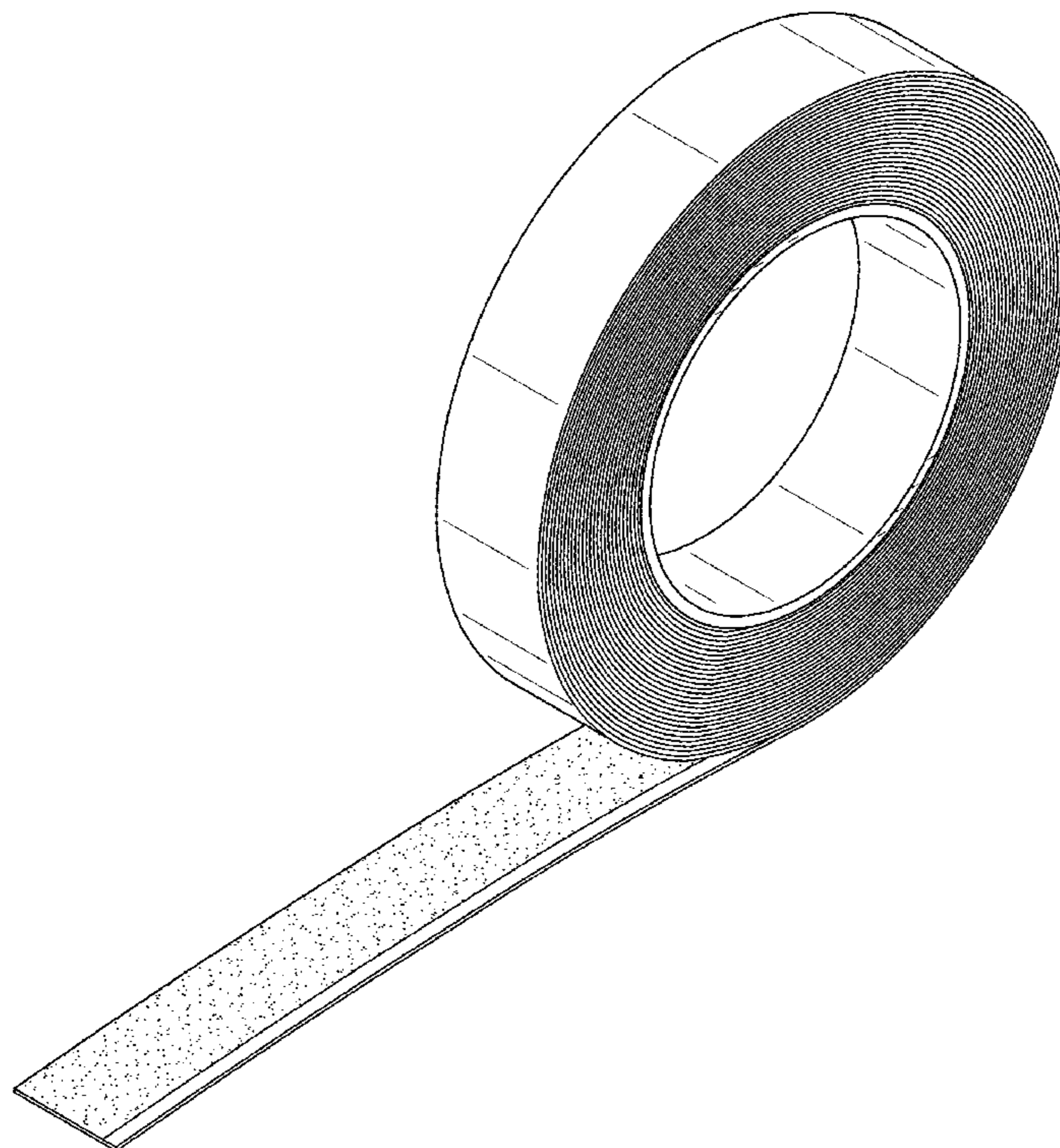
(57) **CLAIM**

The ornamental design for an adhesive tape roll with non-adherent pull tab, as shown and described.

DESCRIPTION

FIG. 1 is a right side elevation view of an adhesive tape roll with non-adherent pull tab showing my new design, the opposite side being a mirror image of the shown;
FIG. 2 is a front elevation view thereof;
FIG. 3 is a rear elevation view thereof;
FIG. 4 is a top plan view thereof;
FIG. 5 is a bottom plan view thereof; and,
FIG. 6 is an isometric view thereof.

1 Claim, 4 Drawing Sheets



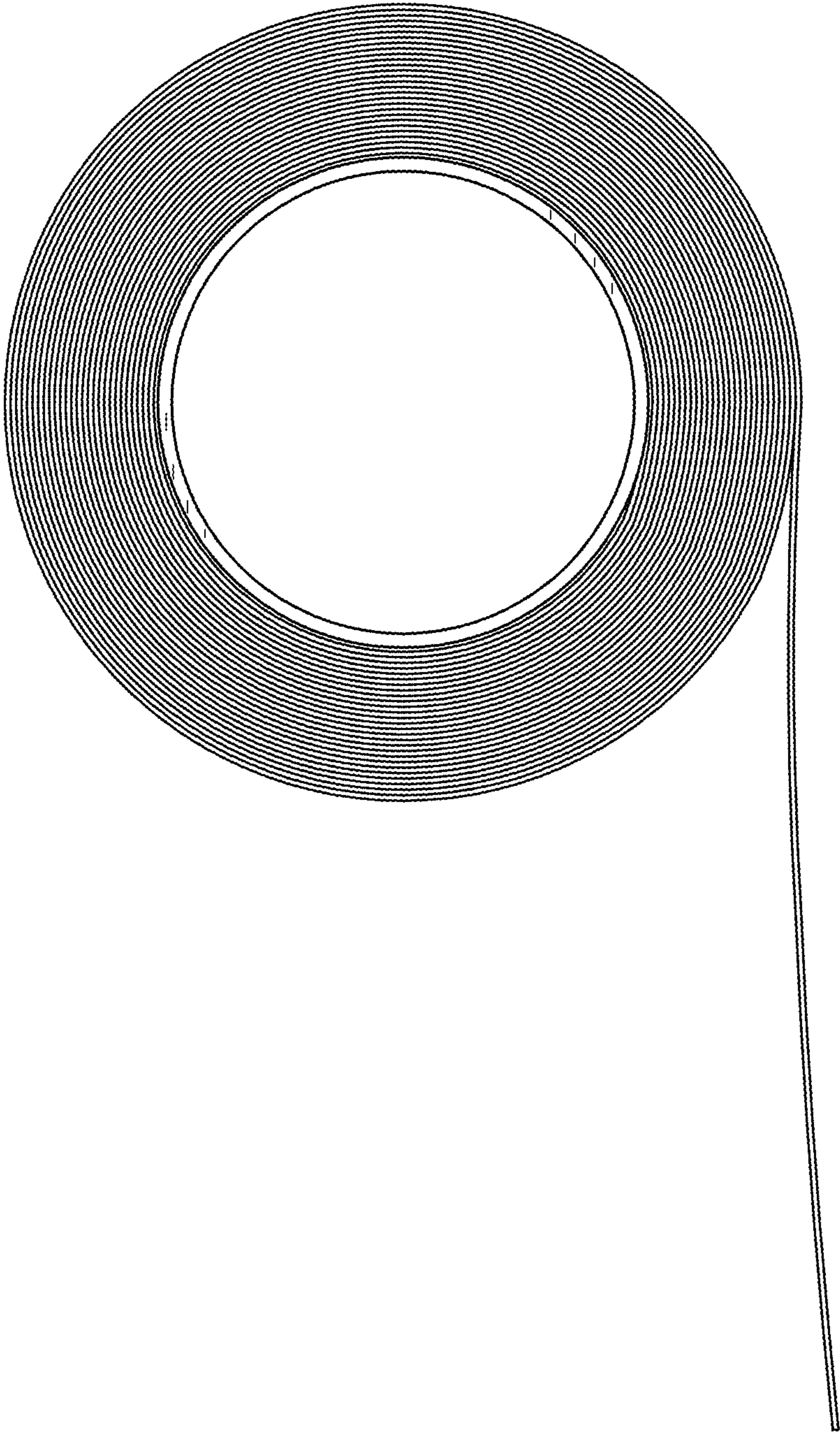


FIG. 1

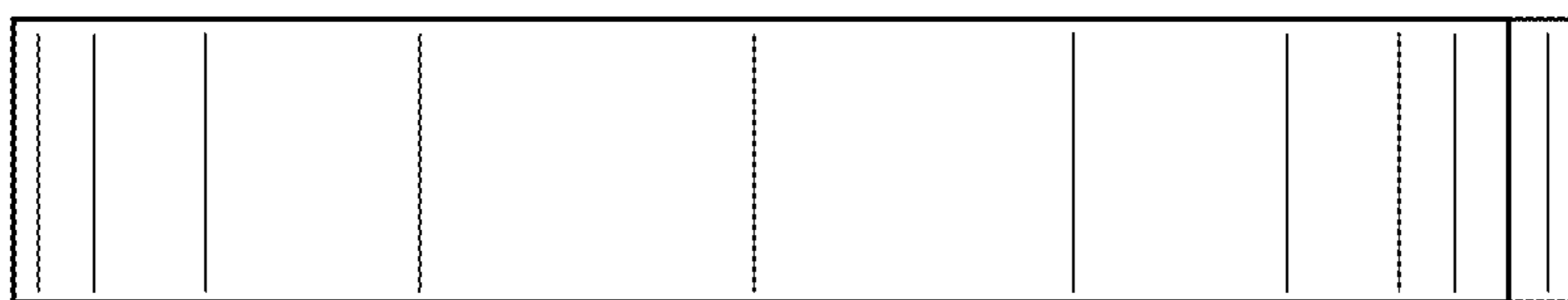


FIG. 3

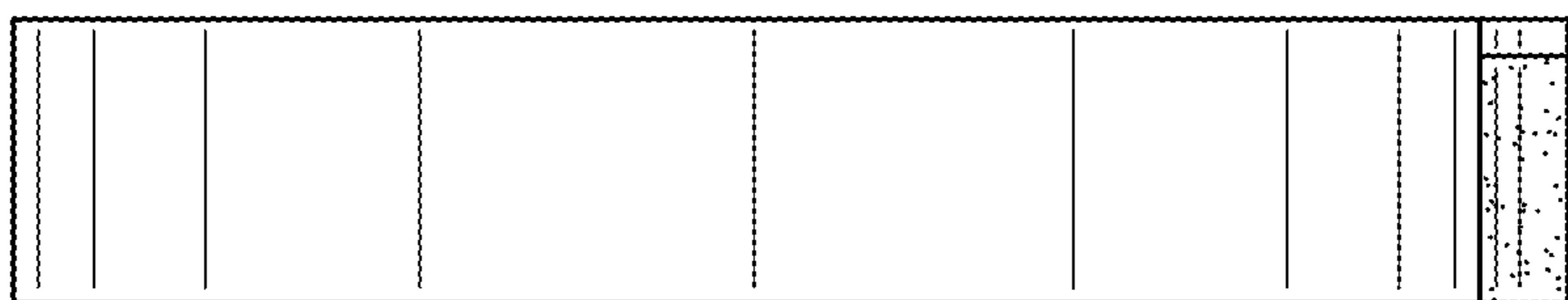


FIG. 2

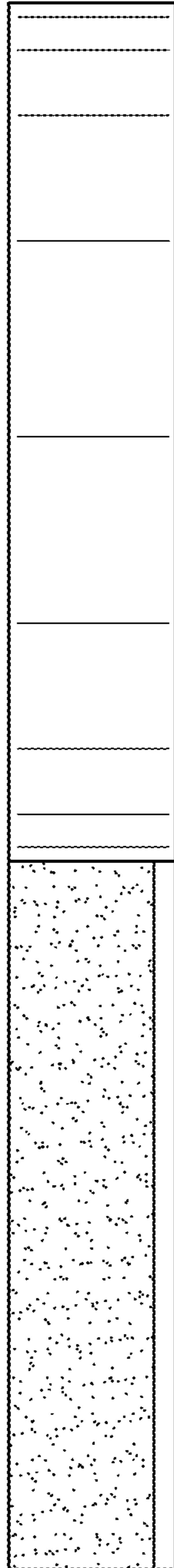


FIG. 4

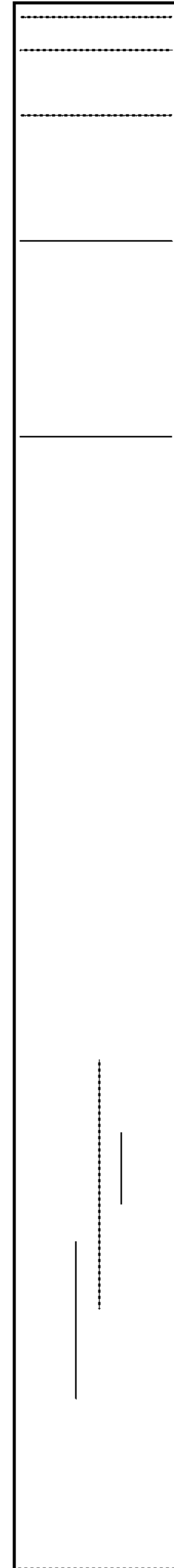


FIG. 5

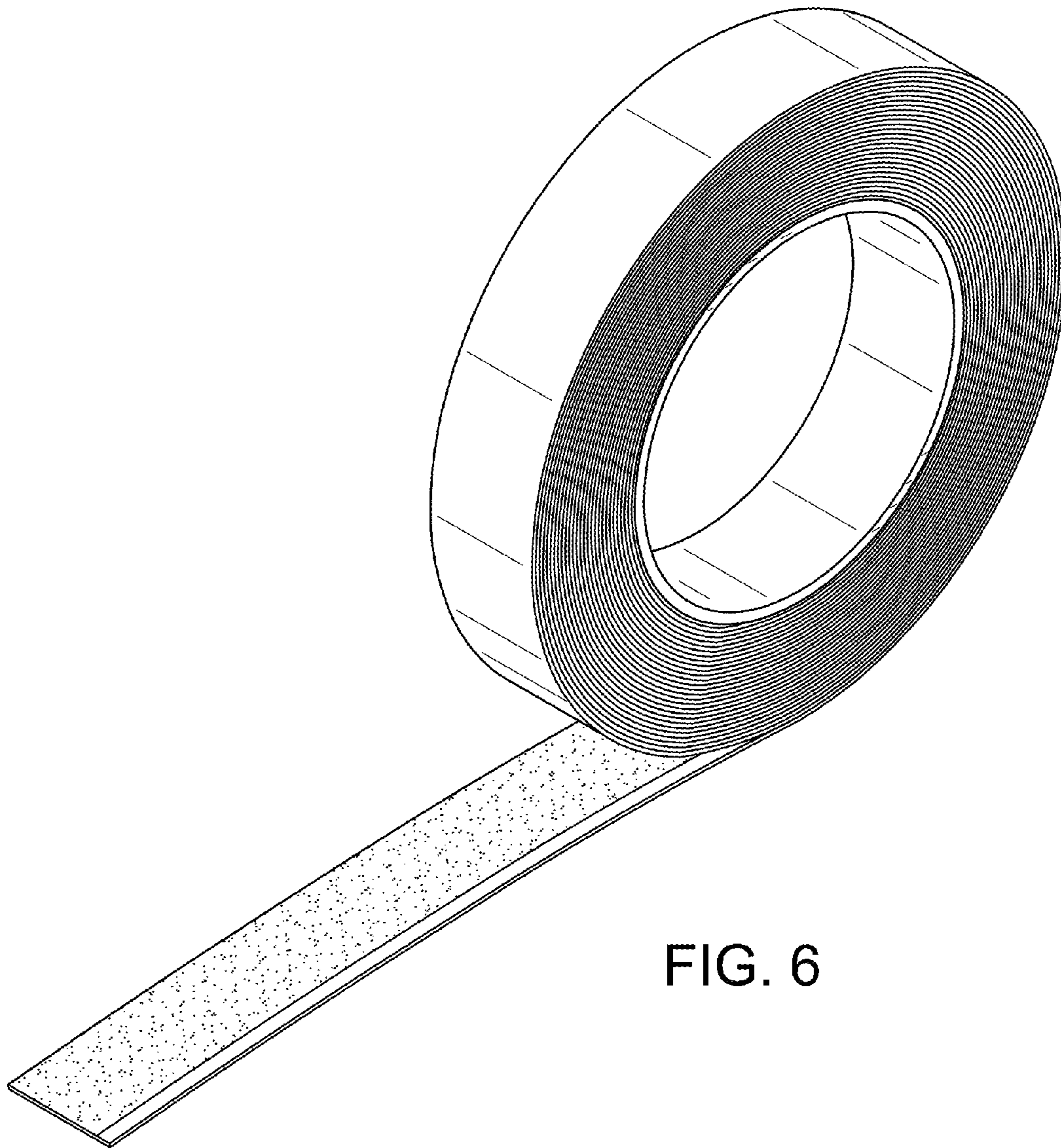


FIG. 6