



US00D741402S

(12) **United States Design Patent**  
**Rooney**

(10) **Patent No.:** **US D741,402 S**

(45) **Date of Patent:** **\*\* \*Oct. 20, 2015**

(54) **PEN FOR A PRINTER**

(71) Applicant: **Hewlett-Packard Development Company, L.P.**, Houston, TX (US)

(72) Inventor: **Garry Rooney**, Leixlip (IE)

(73) Assignee: **Hewlett-Packard Development Company, L.P.**, Houston, TX (US)

(\*) Notice: This patent is subject to a terminal disclaimer.

(\*\*) Term: **14 Years**

(21) Appl. No.: **29/481,012**

(22) Filed: **Jan. 31, 2014**

(51) **LOC (10) Cl.** ..... **18-02**

(52) **U.S. Cl.**  
USPC ..... **D18/56**

(58) **Field of Classification Search**  
USPC ..... D18/12, 40, 43, 56; 360/132, 134;  
399/260, 262; D14/484; 347/86, 87;  
222/215  
See application file for complete search history.

(56) **References Cited**

**U.S. PATENT DOCUMENTS**

1,460,000 A 6/1923 Thompson  
2,010,000 A 8/1935 Harman et al.

(Continued)

**FOREIGN PATENT DOCUMENTS**

JP 2010163474 A 7/2010  
WO WO2008074210 A1 6/2008

**OTHER PUBLICATIONS**

“HP 300 Printer Ink Cartridge”, [http://www.ryman.co.uk/hp-300-printer-ink-cartridge], site accessed on Dec. 11, 2014, 2 pages.

(Continued)

*Primary Examiner* — Cathy A MacCormac

(74) *Attorney, Agent, or Firm* — Hanley Flight & Zimmerman, LLC

(57) **CLAIM**

The ornamental design for a “pen for a printer,” as shown and described.

**DESCRIPTION**

FIG. 1 is a front left perspective view of a first pen having an extended length housing.

FIG. 2 is a front view of the first pen of FIG. 1.

FIG. 3 is a rear view of the first pen of FIG. 1.

FIG. 4 is a right side view of the first pen of FIG. 1.

FIG. 5 is left side view of the first pen of FIG. 1.

FIG. 6 is a top view of the first pen of FIG. 1.

FIG. 7 is a bottom view of the first pen of FIG. 1.

FIG. 8 is a rear right perspective view of the first pen of FIG. 1.

FIG. 9 is a front left perspective view of a second pen having an extended length housing, electrodes and a printhead.

FIG. 10 is a front view of the second pen of FIG. 9.

FIG. 11 is a rear view of the second pen of FIG. 9.

FIG. 12 is a right side view of the second pen of FIG. 9.

FIG. 13 is left side view of the second pen of FIG. 9.

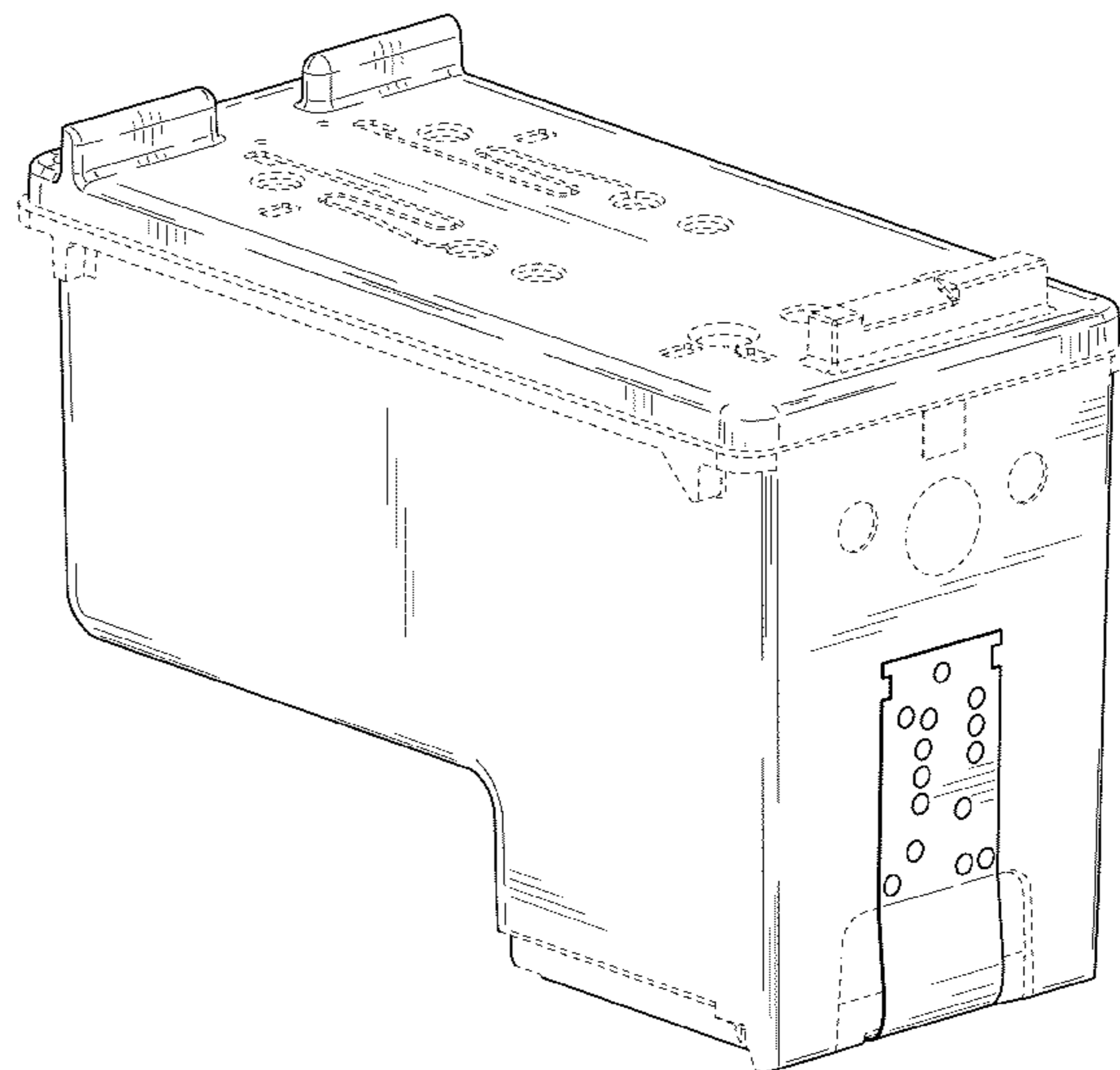
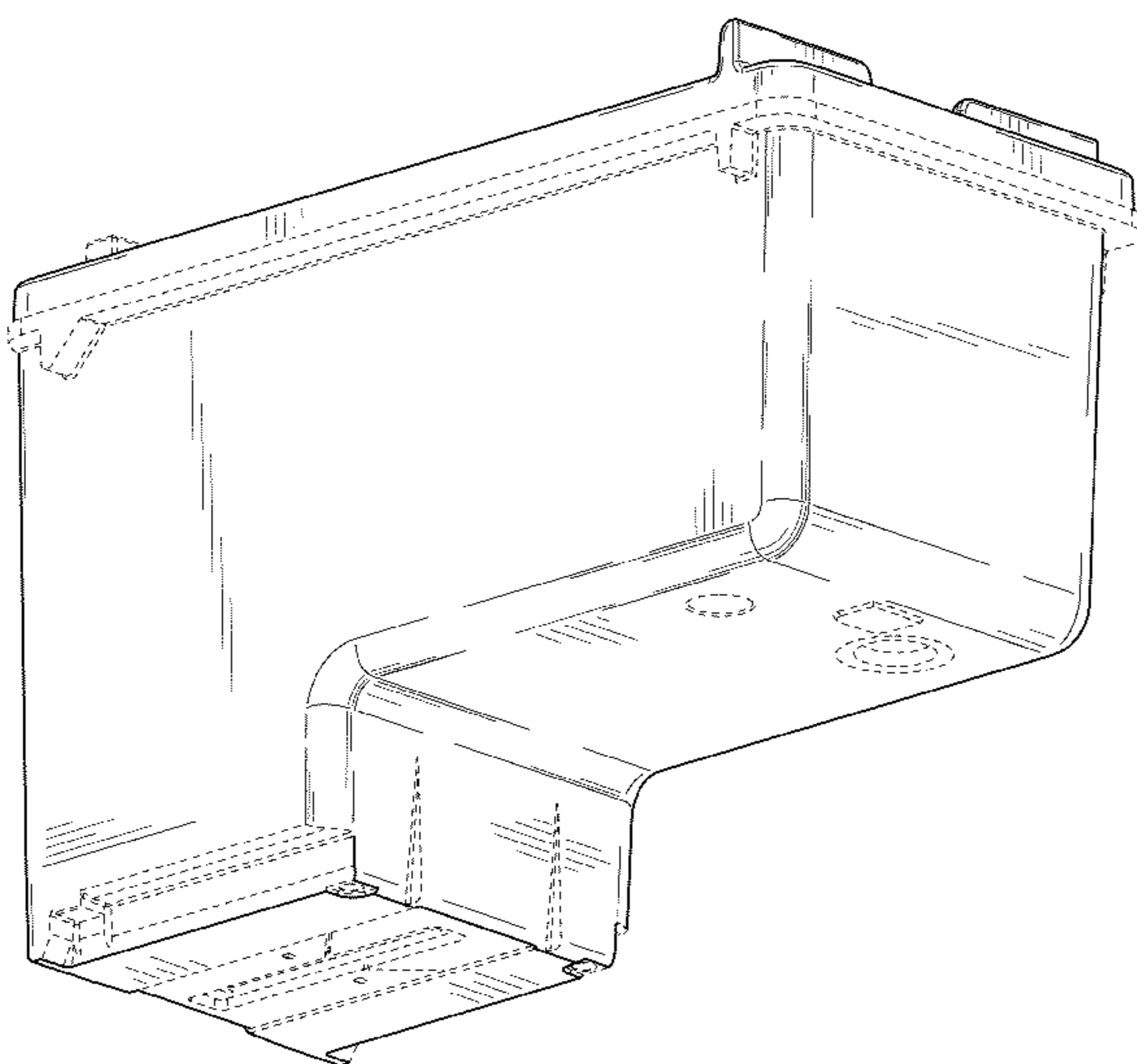
FIG. 14 is a top view of the second pen of FIG. 9.

FIG. 15 is a bottom view of the second pen of FIG. 9.

FIG. 16 is a rear right perspective view of the second pen of FIG. 9.

The features shown in broken lines depict environmental subject matter and form no part of the claimed design.

**1 Claim, 10 Drawing Sheets**





(56)

## References Cited

## U.S. PATENT DOCUMENTS

2,040,000	A	5/1936	Hutton	
3,651,833	A	3/1972	Piko	
3,890,000	A	6/1975	Easley	
D314,209	S *	1/1991	McClelland et al.	D18/56
5,408,256	A *	4/1995	Keen et al.	347/87
D375,523	S *	11/1996	Murray	D18/56
5,802,818	A	9/1998	Doll et al.	
D457,184	S *	5/2002	Boyd et al.	D18/56
6,412,899	B1	7/2002	Choo	
D464,371	S	10/2002	Boyd et al.	
D466,928	S *	12/2002	Boyd et al.	D18/56
6,720,000	B2	4/2004	Kerrish et al.	
6,802,586	B2 *	10/2004	Forman	347/86
D529,084	S *	9/2006	Myers et al.	D18/56
D534,582	S	1/2007	Tajima et al.	
D535,688	S *	1/2007	Tajima et al.	D18/56
D538,335	S	3/2007	Chang	
7,192,129	B2 *	3/2007	Droege et al.	347/87
D571,396	S *	6/2008	Nip	D18/56
D571,852	S *	6/2008	Nip	D18/56
7,465,021	B2 *	12/2008	Toge et al.	347/87
7,540,599	B2 *	6/2009	Droege et al.	347/87
D597,595	S *	8/2009	Nip	D18/56
D602,076	S	10/2009	Saikawa et al.	
D602,521	S	10/2009	Saikawa et al.	
7,607,758	B2 *	10/2009	Hatasa et al.	347/86
7,896,470	B2 *	3/2011	Doran	347/86
7,967,429	B2 *	6/2011	Kawamura	347/87
7,980,687	B2 *	7/2011	Nip	347/87
8,251,493	B2	8/2012	Sekino et al.	
8,469,499	B2 *	6/2013	Rittgers et al.	347/87
8,491,112	B2 *	7/2013	Baker et al.	347/87
2013/0106956	A1	5/2013	Ng et al.	

## OTHER PUBLICATIONS

“HP Photosmart C4680 All-in-one Printer and XL Ink Cartridges Bundle”, [<http://www.amazon.co.uk/HP-Photosmart-Printer-Cartridges-Bundle/dp/B0030GEGHE>], site accessed on Dec. 11, 2014, 8 pages.

“2p HP 60 Ink Cartridge for Photosmart C4640 C4650 C4680”, [<http://www.ebay.com/itm/2p-HP-60-Ink-Cartridge-For-Photosmart-C4640-C4650-C4680-/380335320338>], site accessed on Dec. 11, 2014, 5 pages.

“Comparative Test: Eleven Multifunction Printers”, article published on Nov. 27, 2009, [[http://www.druckerchannel.de/artikel.php?ID=2669&seite=5&t=the\\_ink\\_tanks](http://www.druckerchannel.de/artikel.php?ID=2669&seite=5&t=the_ink_tanks)], accessed on Dec. 11, 2014, 16 pages.

“Dell To529 Black Ink Cartridge Series 1”, [[http://hankeyscomputer.com/products/view/dell\\_to529\\_black\\_ink\\_cartridge\\_series\\_1/](http://hankeyscomputer.com/products/view/dell_to529_black_ink_cartridge_series_1/)], site accessed on Dec. 11, 2014, 1 page.

“Canon Ink”, [<http://www.pawprintzink.com/canon-50-ink>], site accessed on Dec. 11, 2014, 2 pages.

“Canon PG-810 CL-811 Ink Cartridge”, [[http://commons.wikimedia.org/wiki/File:Canon\\_PG-810\\_CL-811\\_ink\\_cartridge.JPG](http://commons.wikimedia.org/wiki/File:Canon_PG-810_CL-811_ink_cartridge.JPG)], site accessed on Dec. 11, 2014, 4 pages.

“Max Encad Printhead with Cartridge for 1200I/1000I with Chip”, [[http://www.sign-in-china.com/products/12348/Max\\_Encad\\_Printhead\\_with\\_Cartridge\\_for\\_1200I\\_1000I\\_with\\_Chip.html](http://www.sign-in-china.com/products/12348/Max_Encad_Printhead_with_Cartridge_for_1200I_1000I_with_Chip.html)], site accessed on Dec. 12, 2014, 4 pages.

“Lexmark 36XL Black High Yield Ink Cartridge 18C2170 for 36 XL X3650 X5650 X4650”, [<http://www.ebay.com/itm/Lexmark-36XL-BLACK-High-Yield-Ink-Cartridge-18C2170-36-XL-X3650->

X5650-X46504-/141115275256?pt=US\_Ink\_Cartridges&hash=item20db2037f8], site accessed on Dec. 11, 2014, 18 pages.  
Ian Burley, “UK Exclusive First-Looks Review: Lexmark P6250 All-In-One”, article published on Oct. 14, 2004, [<http://dpnow.com/1237a.html>], site accessed on Dec. 16, 2014, 9 pages.

Ian Burley, “Canon Pixma Ink Jet Evolution Surprise”, article published on Aug. 22, 2005, [<http://dpnow.com/2033.html>], site accessed on Dec. 12, 2014, 4 pages.

Lysis, “How to Change a Dell Ink Cartridge”, [[http://www.ehow.com/how\\_4762622\\_put-ink-cartridge-dell-printer.html](http://www.ehow.com/how_4762622_put-ink-cartridge-dell-printer.html)], site accessed on Dec. 12, 2014, 5 pages.

“2P Lexmark 16 26 Ink Cartridge 10N0016 10N0026 for X75 X1185 X2250 X1150 Printer”, [<http://www.ebay.com/itm/2P-Lexmark-16-26-Ink-Cartridge-10N0016-10N0026-For-X75-X1185-X2250-X1150-Printer-/390511189172>], site accessed on Dec. 12, 2014, 6 pages.

“Compatible Ink Cartridge for HP802”, [[http://www.yeskey.com/space/jimboye4275/products\\_info/compatible-ink-cartridge-for-hp802-229060.html](http://www.yeskey.com/space/jimboye4275/products_info/compatible-ink-cartridge-for-hp802-229060.html)], site accessed on Dec. 12, 2014, 4 pages.

“Dell 720, A920 Ink Cart—Black-hi Yield”, [[http://www.supplydepot.com/itemdesc.asp?ic=DEL920IJB&eq=&Tp="](http://www.supplydepot.com/itemdesc.asp?ic=DEL920IJB&eq=&Tp=)], site accessed on Dec. 12, 2014, 2 pages.

“Printing Ink Cartridges Background Vector—Stock Illustration”, published on Aug. 16, 2010, [<http://depositphotos.com/3651833/stock-illustration-Printing-ink-cartridges-background-vector.html>], site accessed on Dec. 12, 2014, 2 pages.

“The Inkjet Refill Machine “The Diamond” JT-219”, [<http://www.stsrefill.com/>], site accessed on Dec. 12, 2014, 2 pages.

“V7—Idk27Y743 Black Ink Cartridge for Dell Black”, [<http://www.bestbuy.com/site/v7-ink-cartridge-c896t-x0502-7y743-310-4631-310-3540-black/1306758367.p?id=mp1306758367&skuId=1306758367>], site accessed on Dec. 12, 2014, 1 page.

“Ink Cartridge”, [<http://www.easyvectors.com/browse/misc-objects/ink-cartridge>], site accessed on Dec. 16, 2014, 3 pages.

United States Patent and Trademark Office, “Office Action”, issued in connection with U.S. Appl. No. 29/481,077, mailed on May 13, 2014, 12 pages.

United States Patent and Trademark Office, “Final Office Action”, issued in connection with U.S. Appl. No. 29/481,077, mailed on Aug. 28, 2014, 8 pages.

United States Patent and Trademark Office, “Office Action”, issued in connection with U.S. Appl. No. 29/481,077, mailed on Nov. 24, 2014, 9 pages.

United States Patent and Trademark Office, “Office Action”, issued in connection with U.S. Appl. No. 29/480,982, mailed on May 12, 2014, 13 pages.

United States Patent and Trademark Office, “Final Office Action”, issued in connection with U.S. Appl. No. 29/480,982, mailed on Sep. 4, 2014, 11 pages.

United States Patent and Trademark Office, “Office Action”, issued in connection with U.S. Appl. No. 29/481,099, mailed on May 13, 2014, 13 pages.

United States Patent and Trademark Office, “Final Office Action”, issued in connection with U.S. Appl. No. 29/481,099, mailed on Aug. 27, 2014, 10 pages.

United States Patent and Trademark Office, “Advisory Action”, issued in connection with U.S. Appl. No. 29/480,982, mailed on Nov. 14, 2014, 3 pages.

“Compatible HP C9364WN (HP 98) and C8766WN (HP 95) Set of 5 Ink Cartridges: Includes 3 Black and 2 Color Cartridge”, [<http://www.inkcartridgespot.com/compatible-hewlett-packard-hp-c9364wn-hp-98-and-c8766wn-hp-95-set-of-5-ink-cartridges-includes-3-black-and-2-color-cartridge.html>], accessed on Jan. 7, 2015, 4 pages.

\* cited by examiner

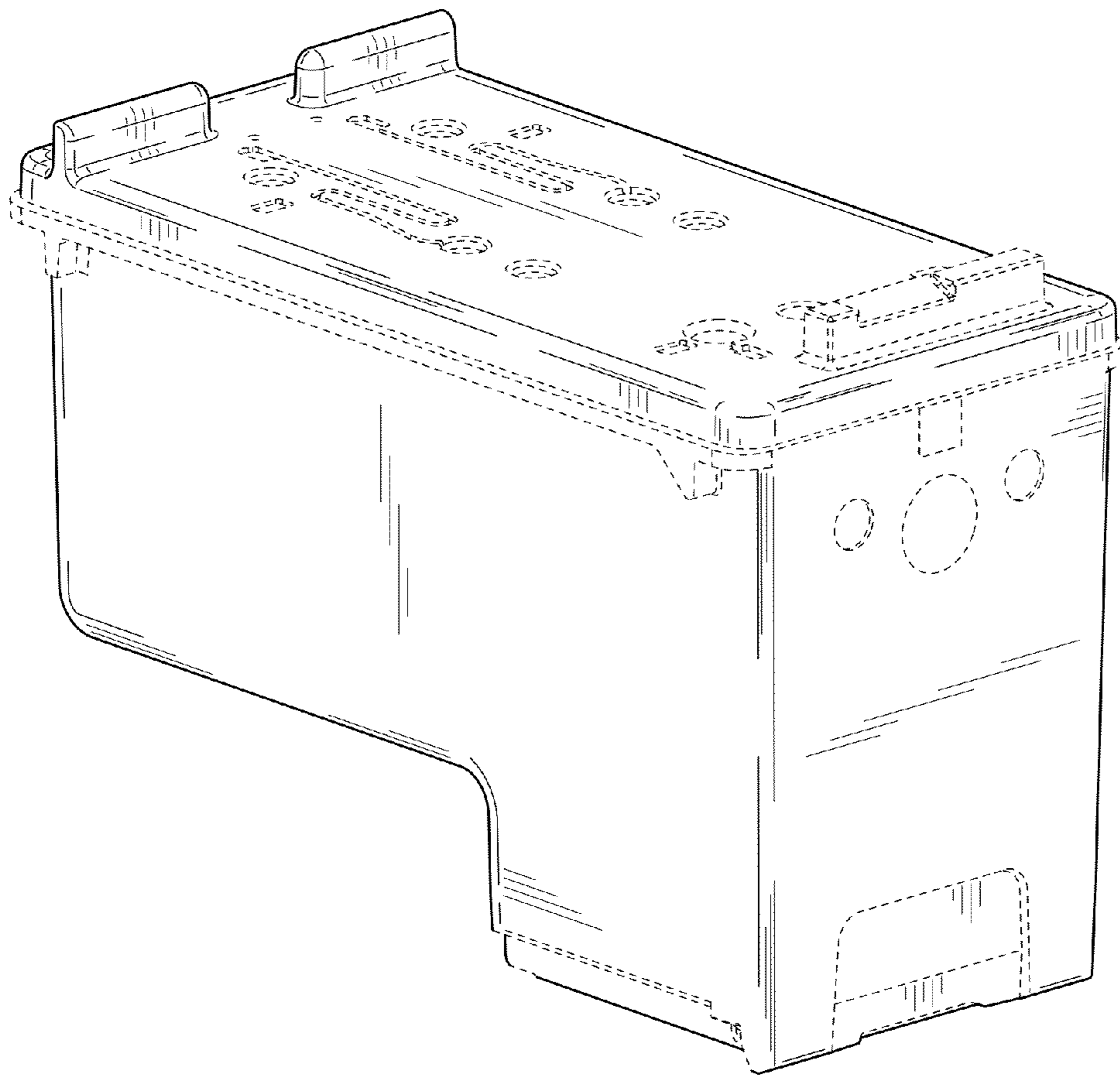


FIG. 1

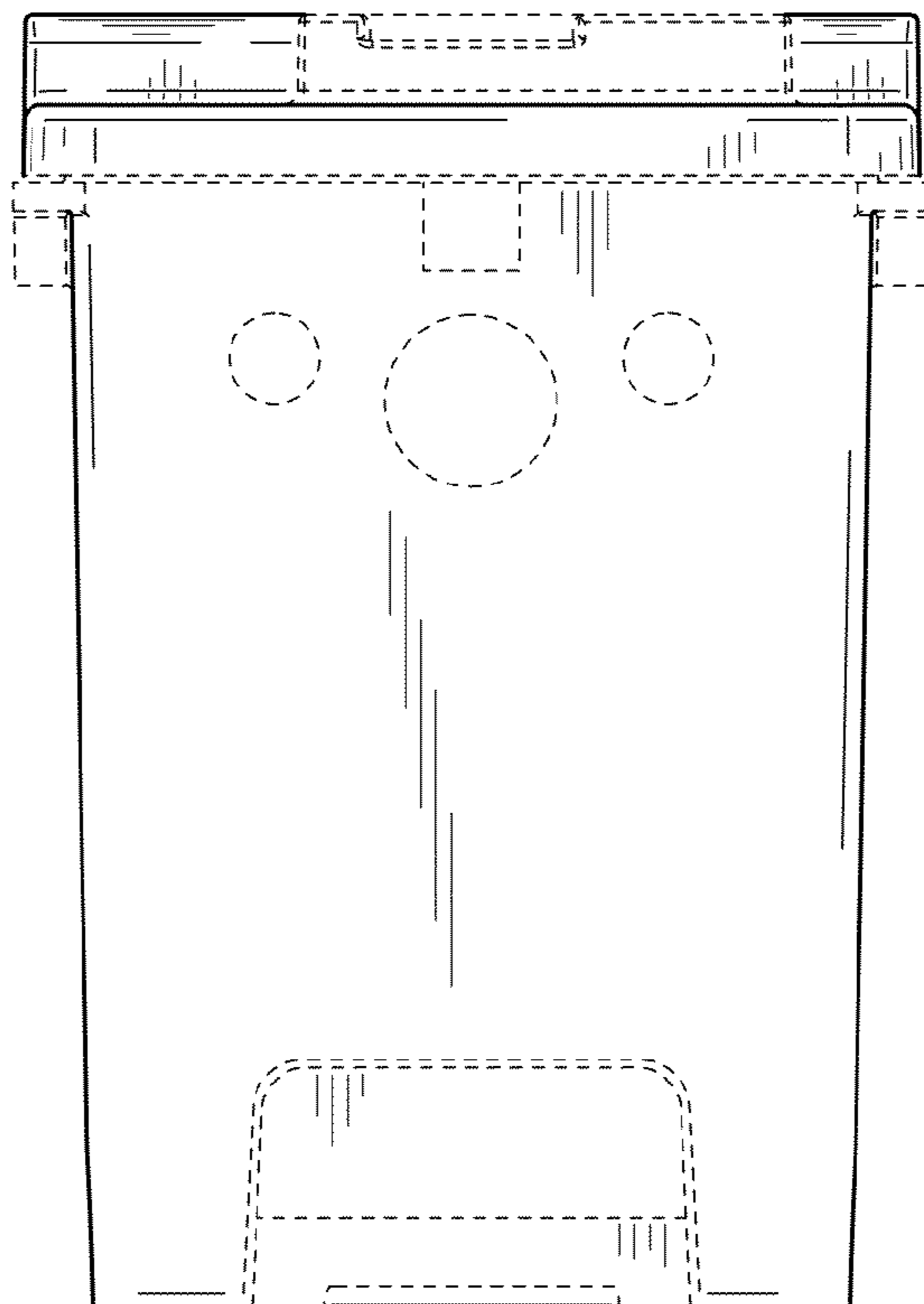


FIG. 2

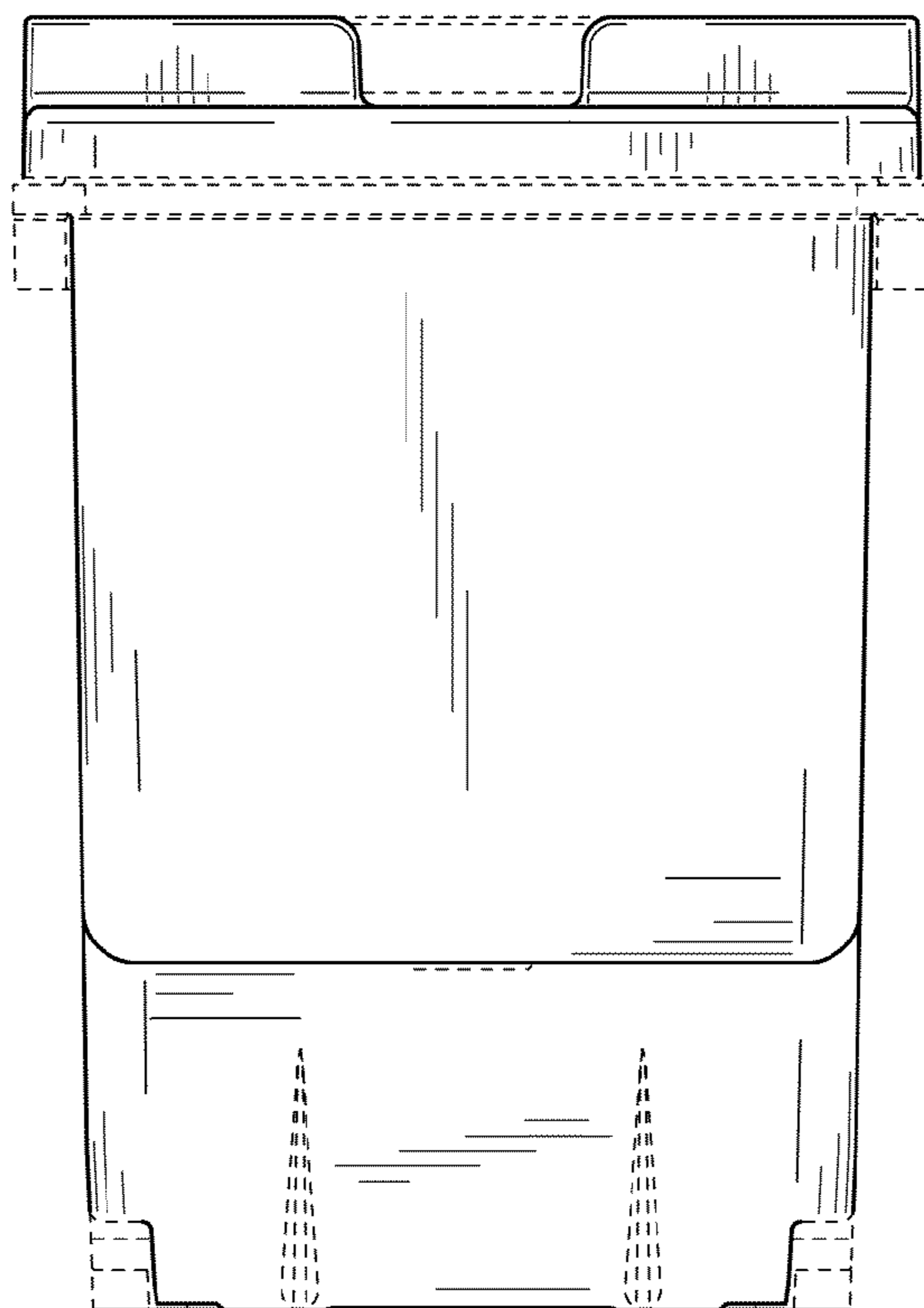


FIG. 3



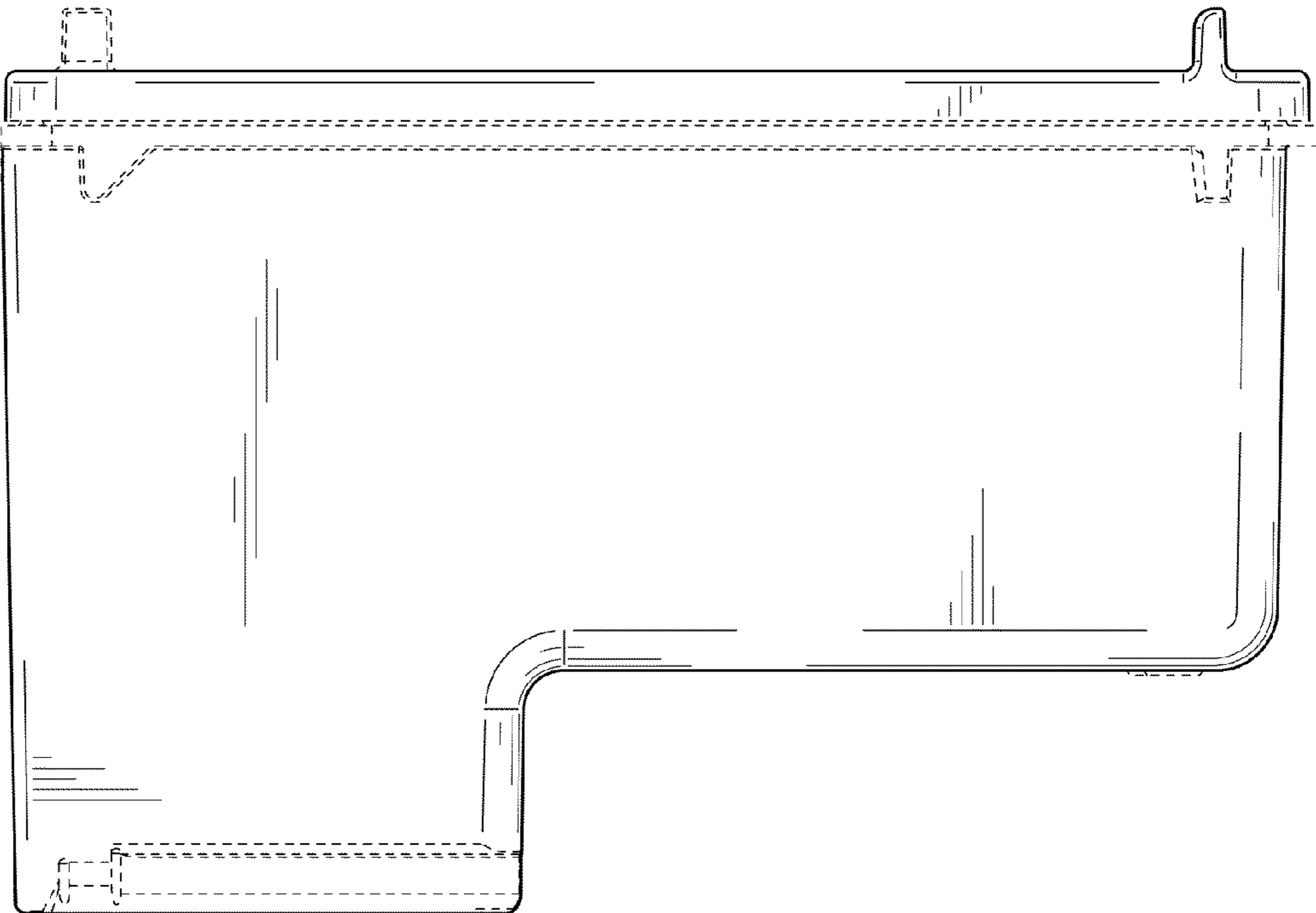


FIG. 4

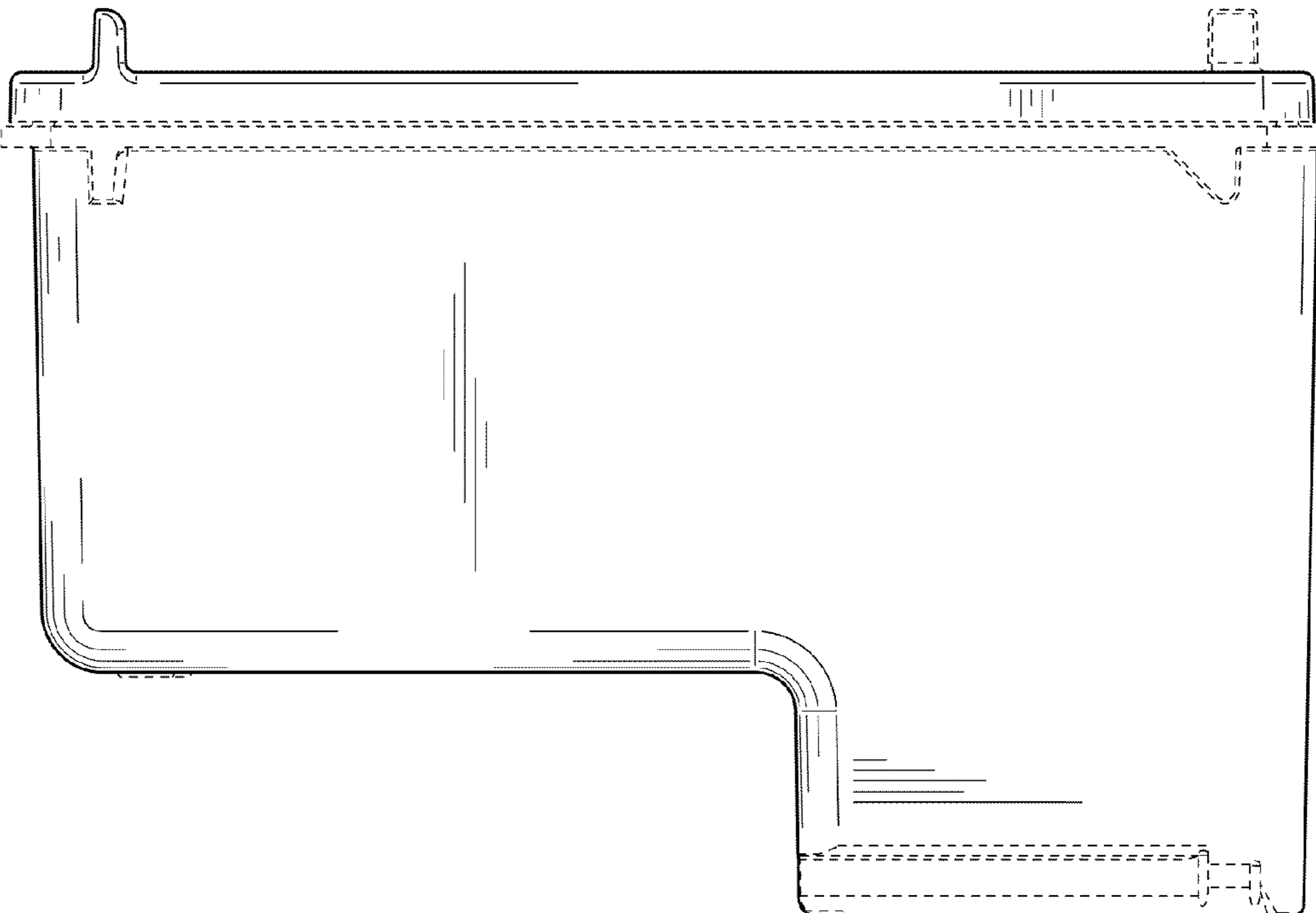


FIG. 5

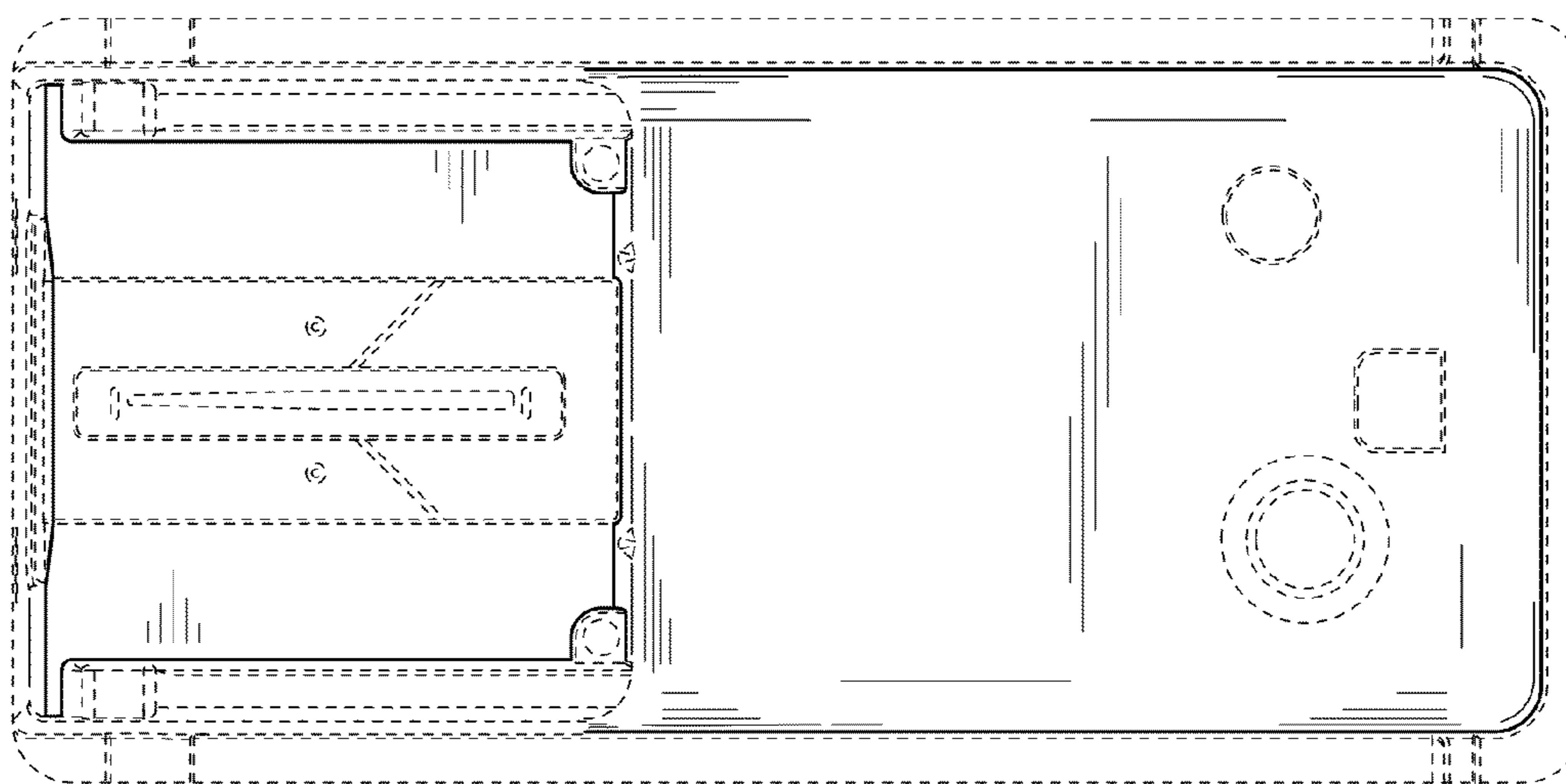


FIG. 7

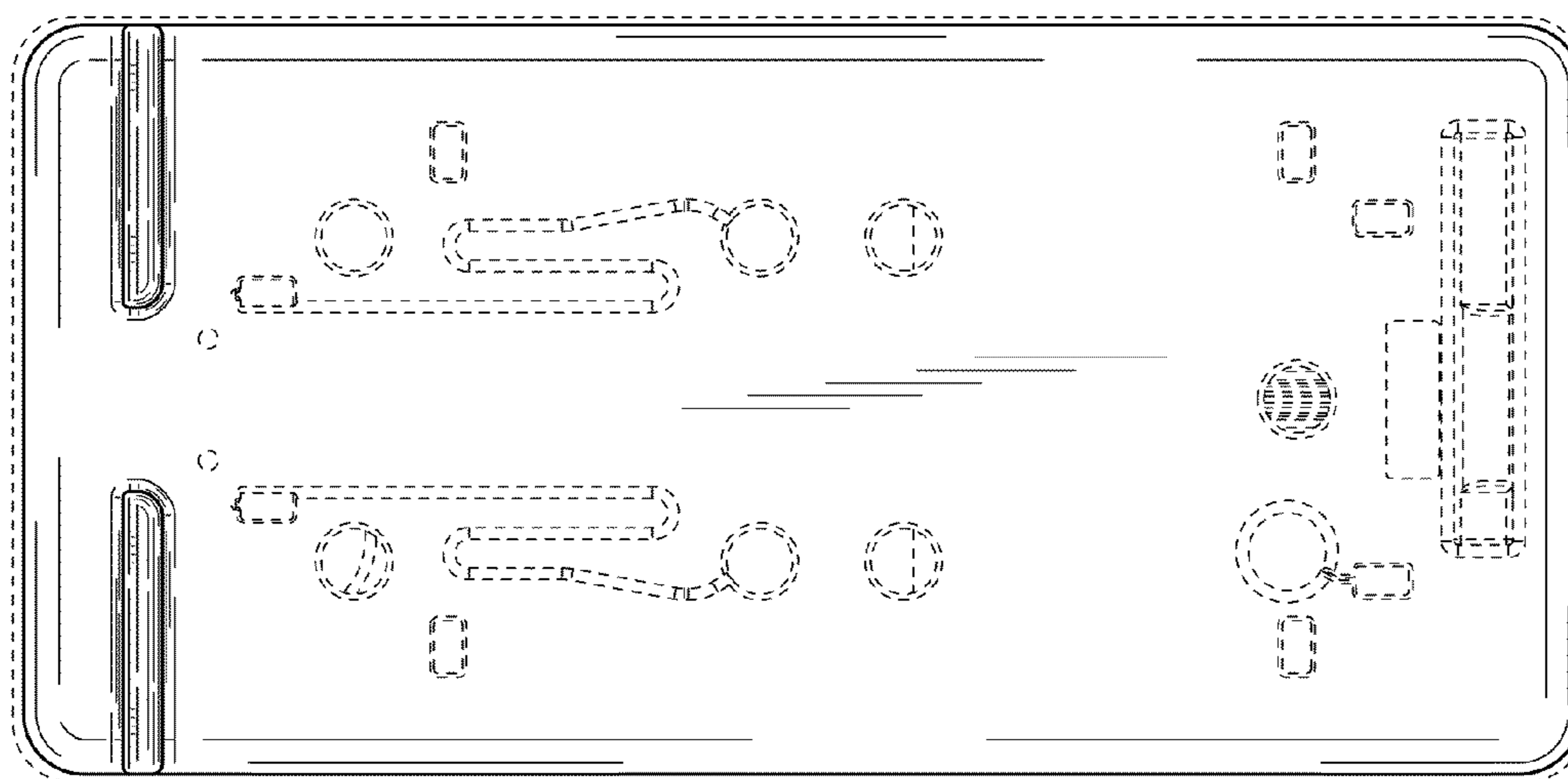


FIG. 6

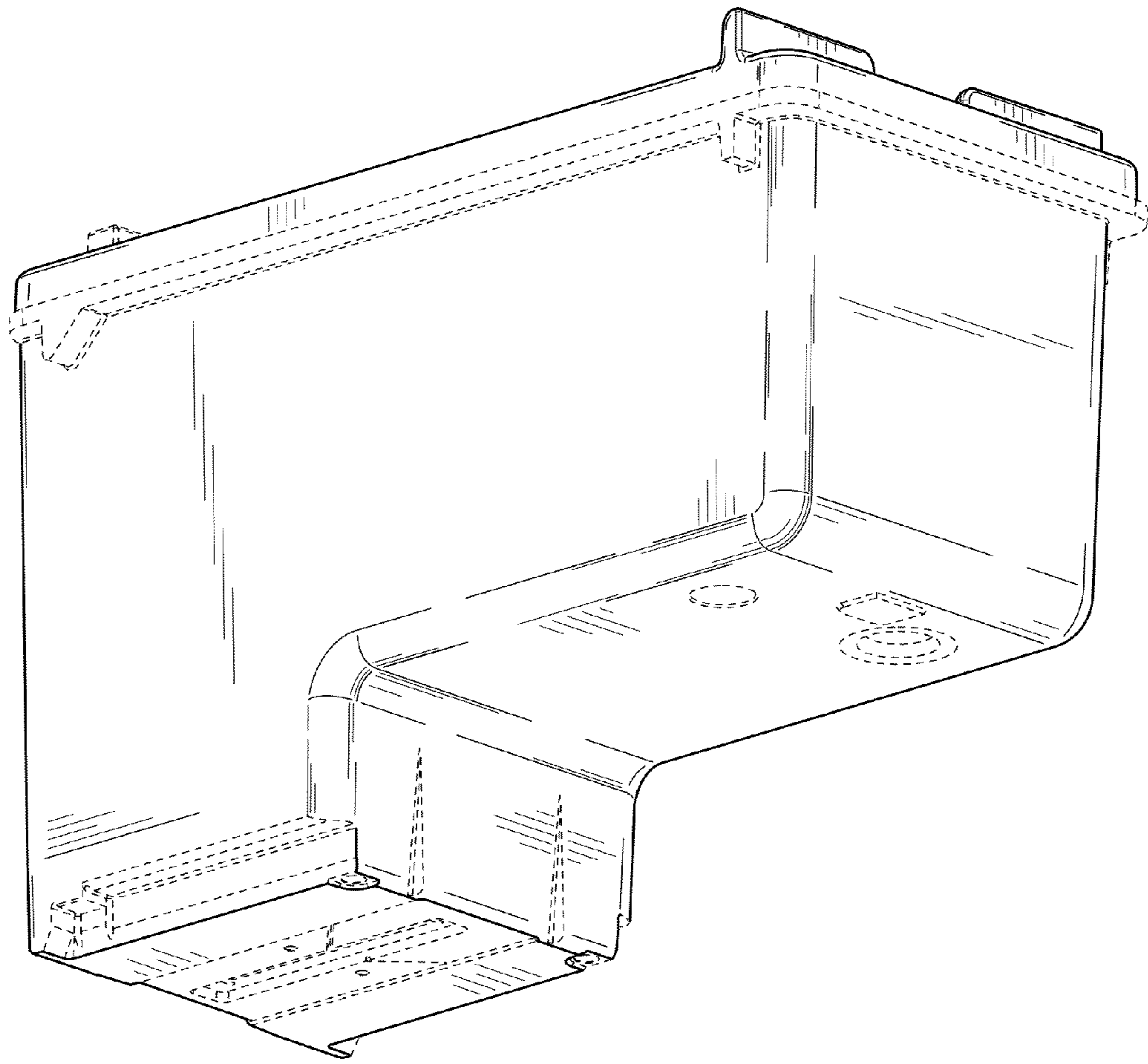


FIG. 8

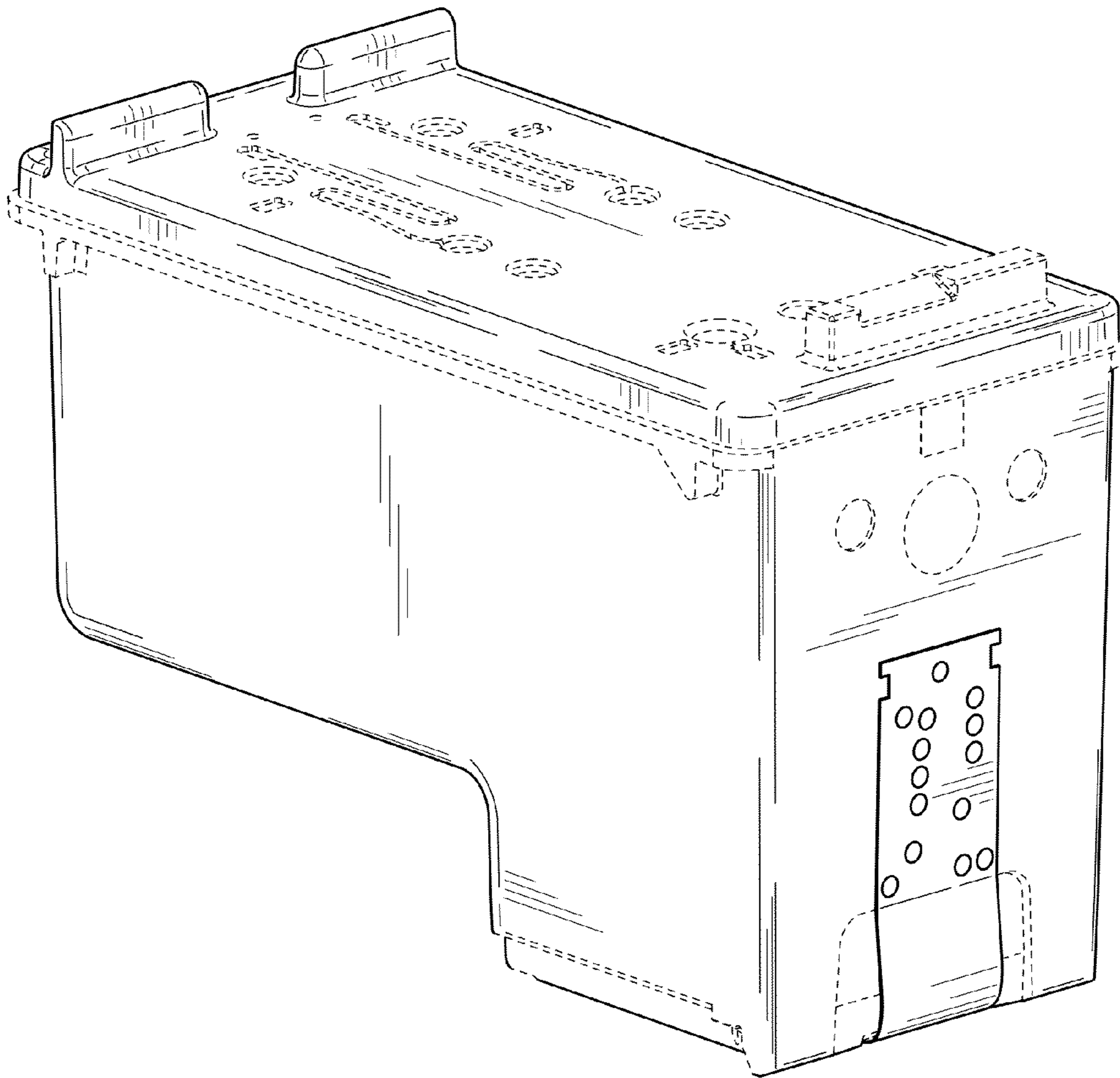


FIG. 9



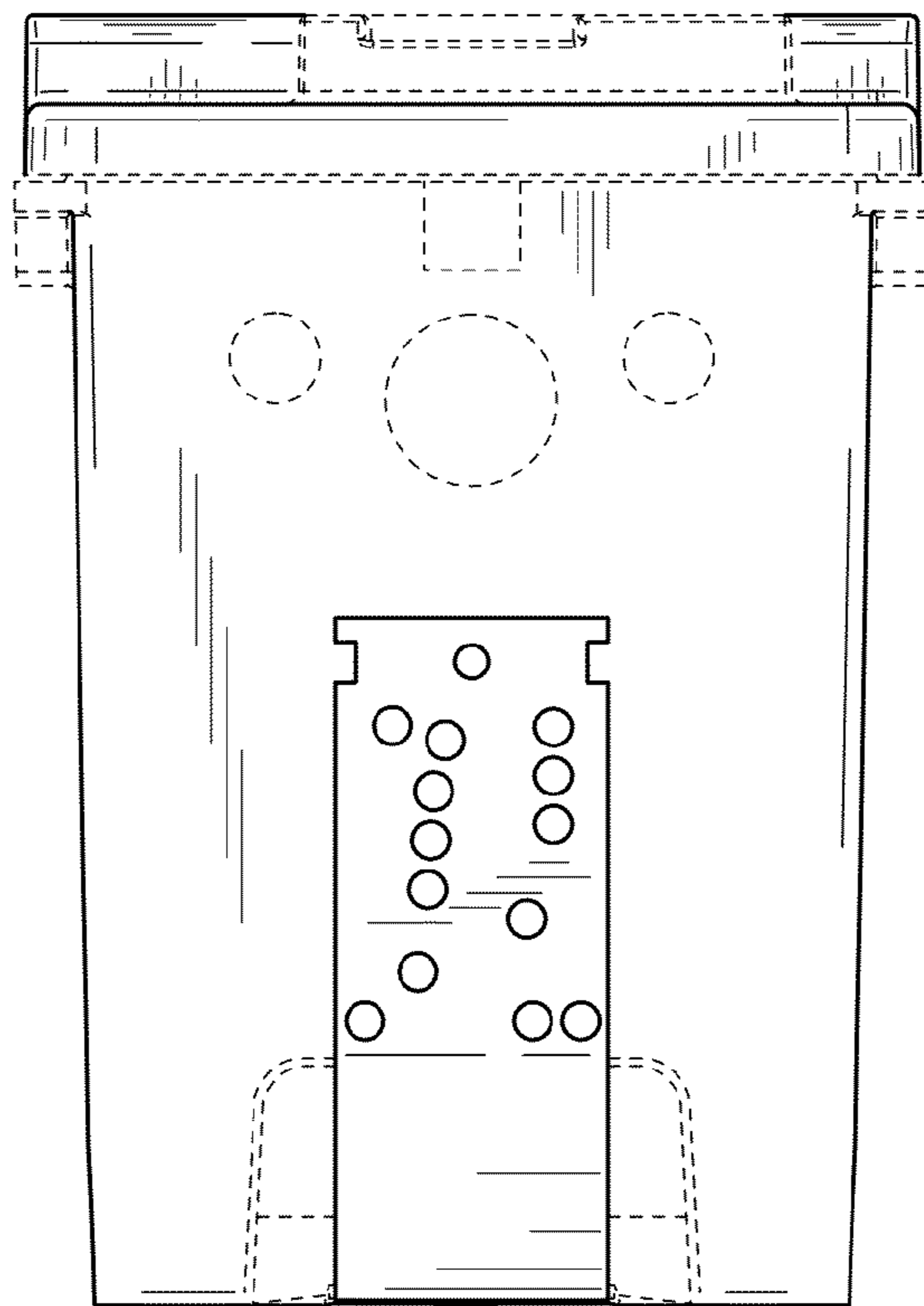


FIG. 10

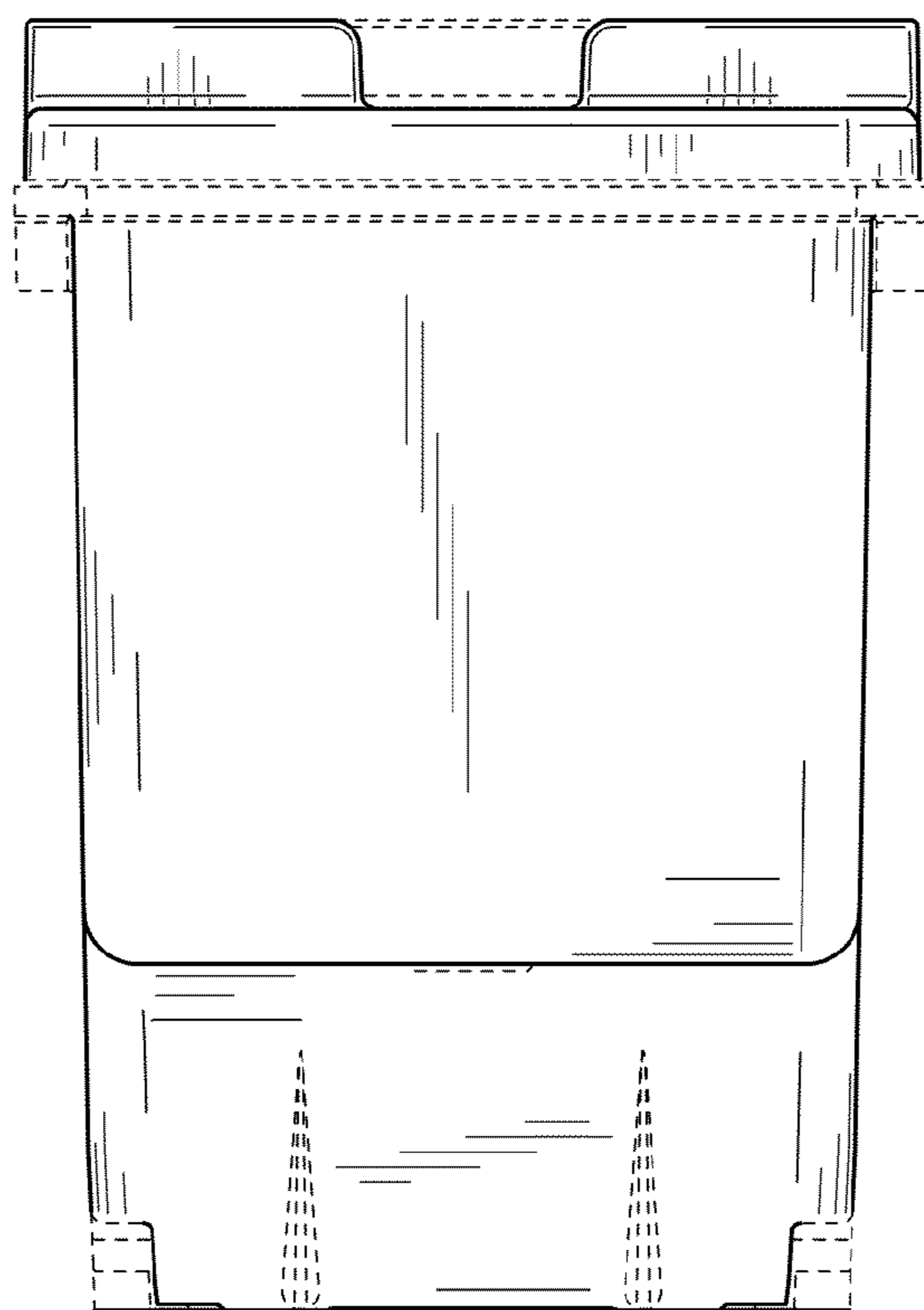


FIG. 11

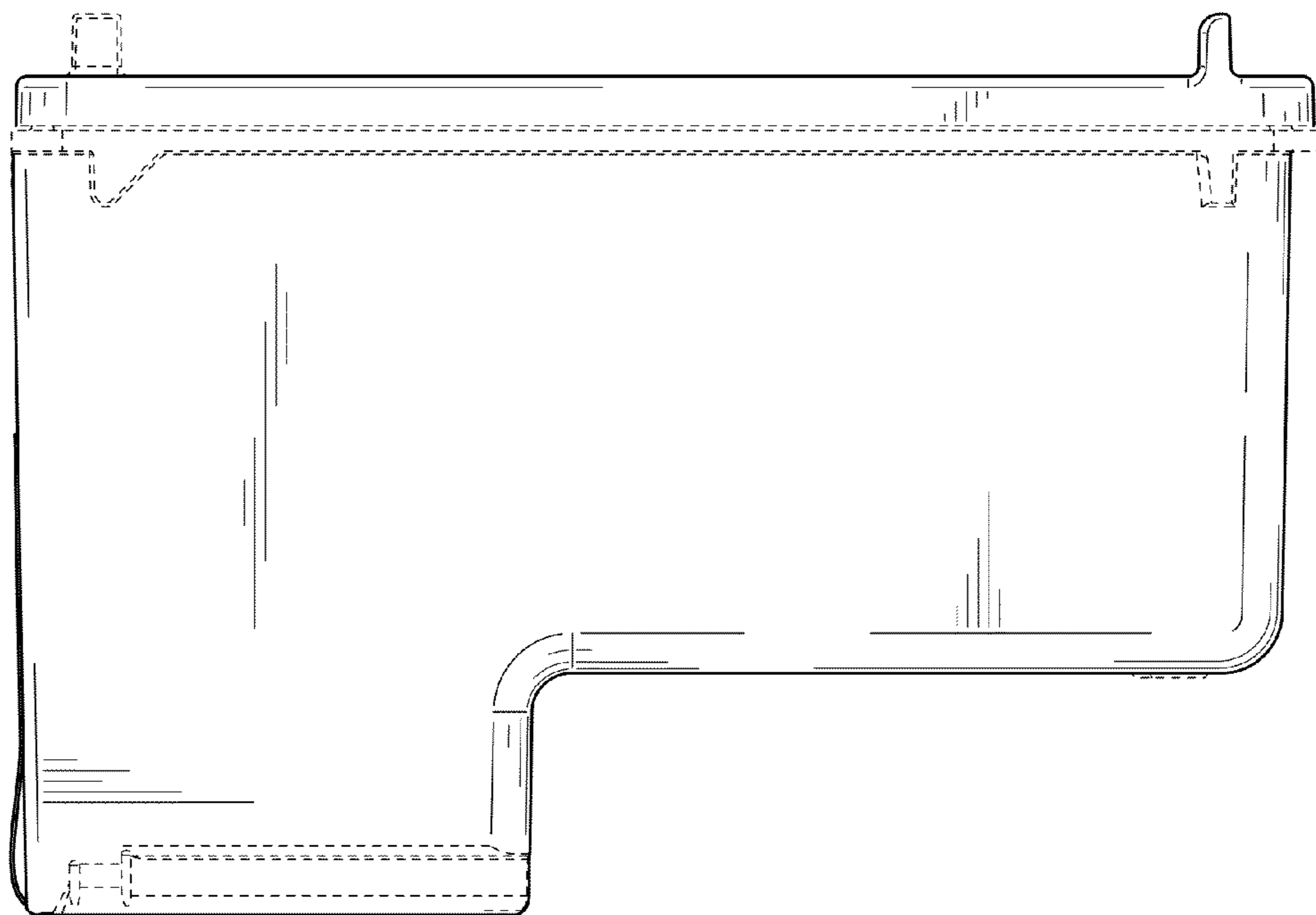


FIG. 12

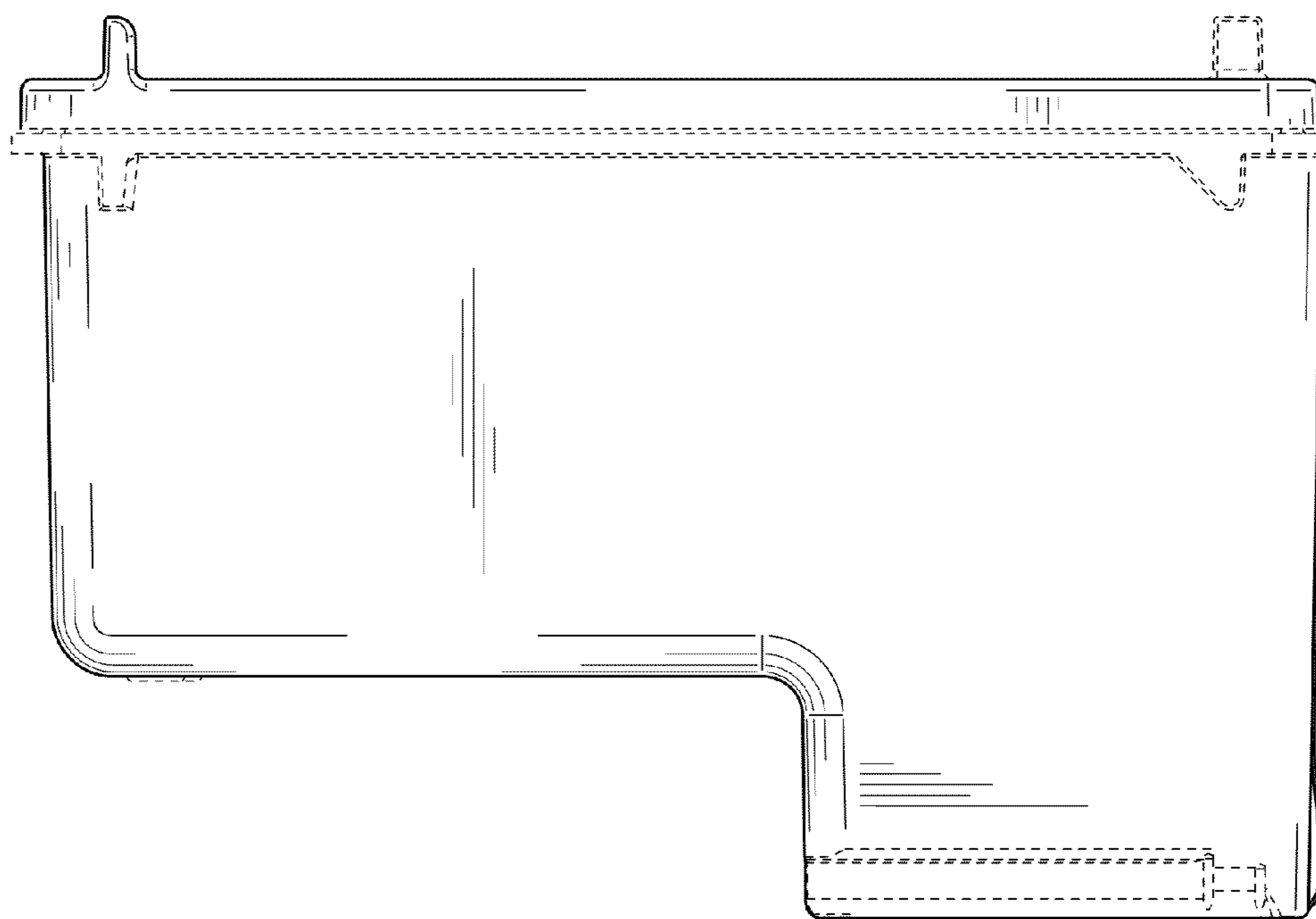


FIG. 13

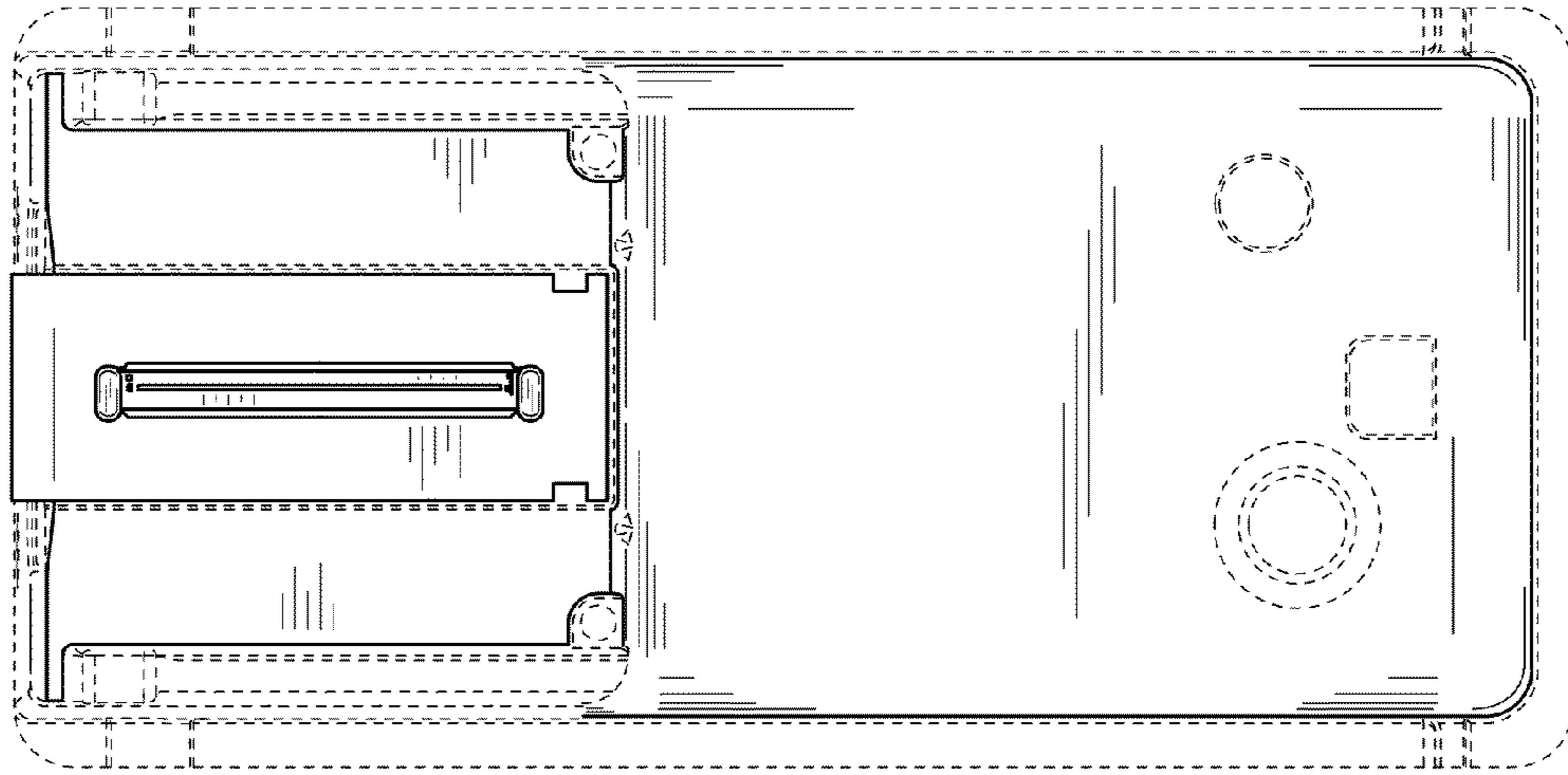


FIG. 15

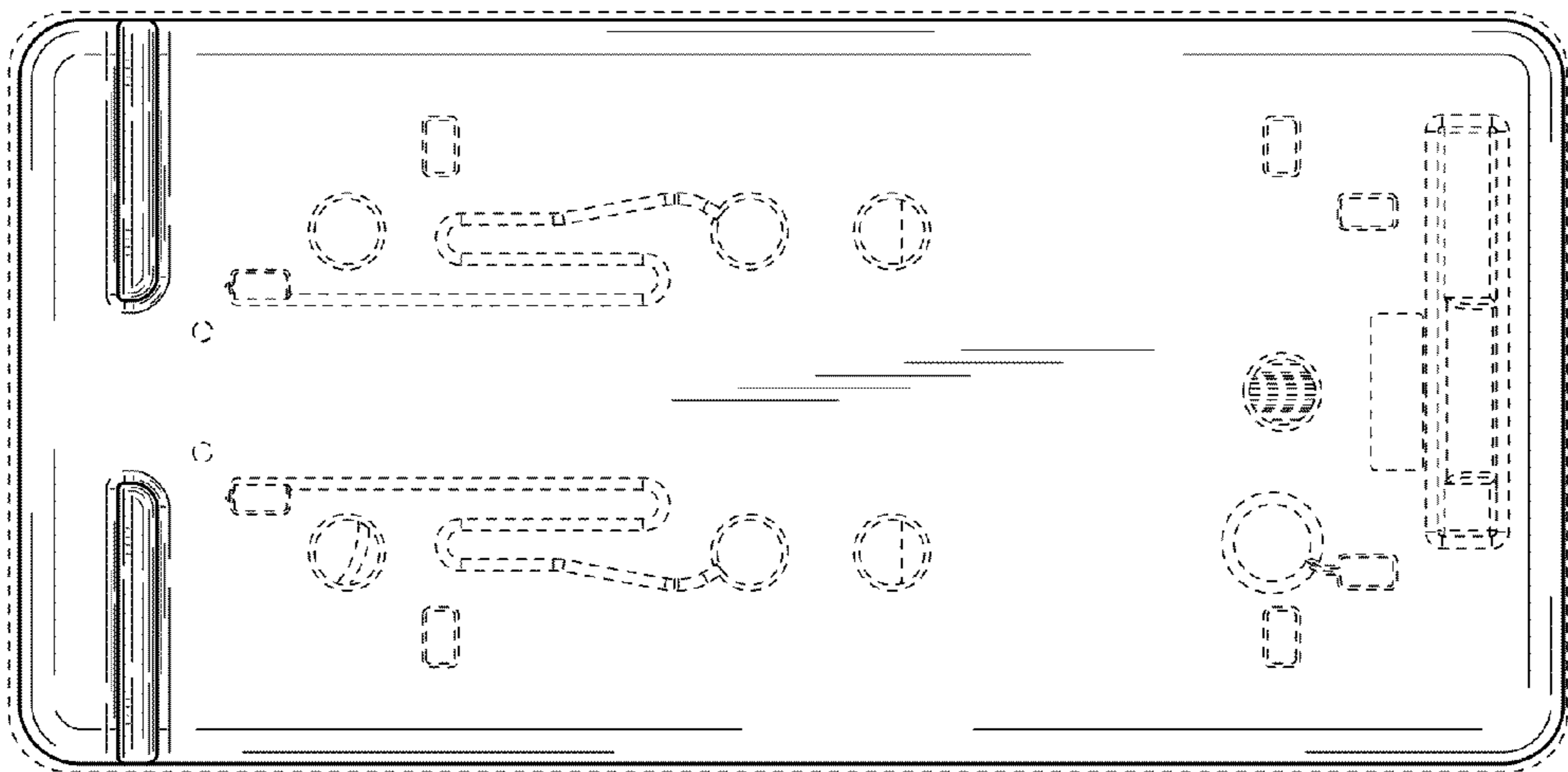


FIG. 14

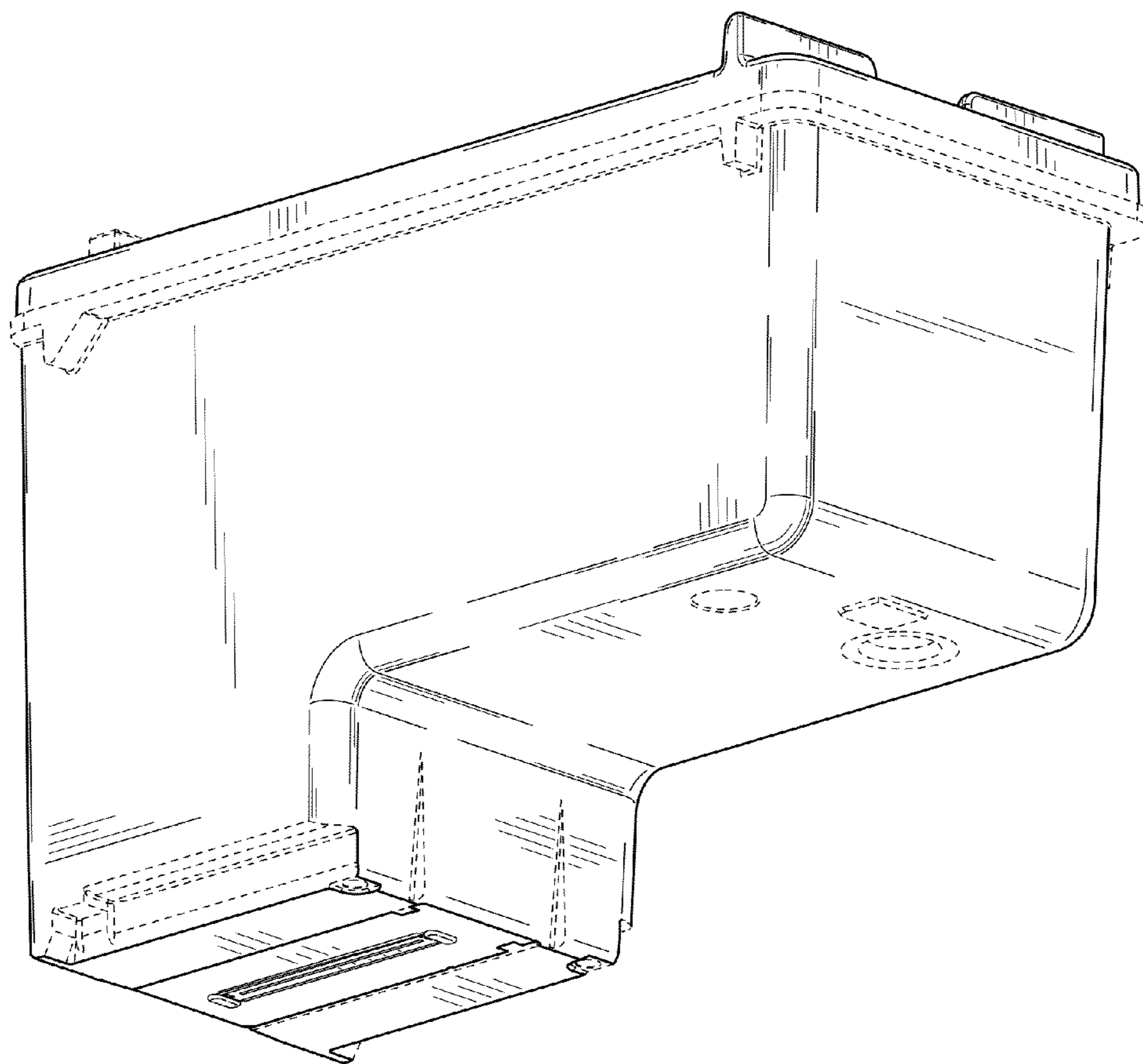


FIG. 16