



US00D741401S

(12) **United States Design Patent**
Minamide et al.

(10) **Patent No.:** **US D741,401 S**

(45) **Date of Patent:** **** Oct. 20, 2015**

(54) **PRINTER**

(71) Applicant: **Samsung Electronics Co., Ltd.**,
Suwon-si, Gyeonggi-do (KR)

(72) Inventors: **Keiichi Minamide**, Tokyo (JP); **Takeo Aoki**, Tokyo (JP)

(73) Assignee: **SAMSUNG ELECTRONICS CO., LTD.** (KR)

(**) Term: **14 Years**

(21) Appl. No.: **29/486,257**

(22) Filed: **Mar. 27, 2014**

(30) **Foreign Application Priority Data**

Oct. 28, 2013 (KR) 30-2013-0054034

(51) **LOC (10) Cl.** **14-02**

(52) **U.S. Cl.**
USPC **D18/50**

(58) **Field of Classification Search**
USPC D18/14, 19, 50, 53.54, 54.1, 55;
D14/420-425, 462, 470; 400/613,
400/613.1-613.4, 690.1-690.4, 691-694
See application file for complete search history.

(56) **References Cited**

U.S. PATENT DOCUMENTS

D181,794 S * 12/1957 Hohmann D18/54
D273,953 S * 5/1984 Lahey D18/55
D274,823 S * 7/1984 Leach et al. D18/54

D287,371 S * 12/1986 Bekooy D18/49
D288,448 S * 2/1987 Hiroki D18/54
D293,577 S * 1/1988 Gauffin D18/54
D322,277 S * 12/1991 Clary et al. D18/50
D328,594 S * 8/1992 Kobayashi D14/424
D343,857 S * 2/1994 Clary D18/50
7,090,345 B2 * 8/2006 Pierce 400/693
D607,000 S * 12/2009 Cheng et al. D14/485

* cited by examiner

Primary Examiner — Cathy A MacCormac

(74) *Attorney, Agent, or Firm* — Cantor Colburn LLP

(57) **CLAIM**

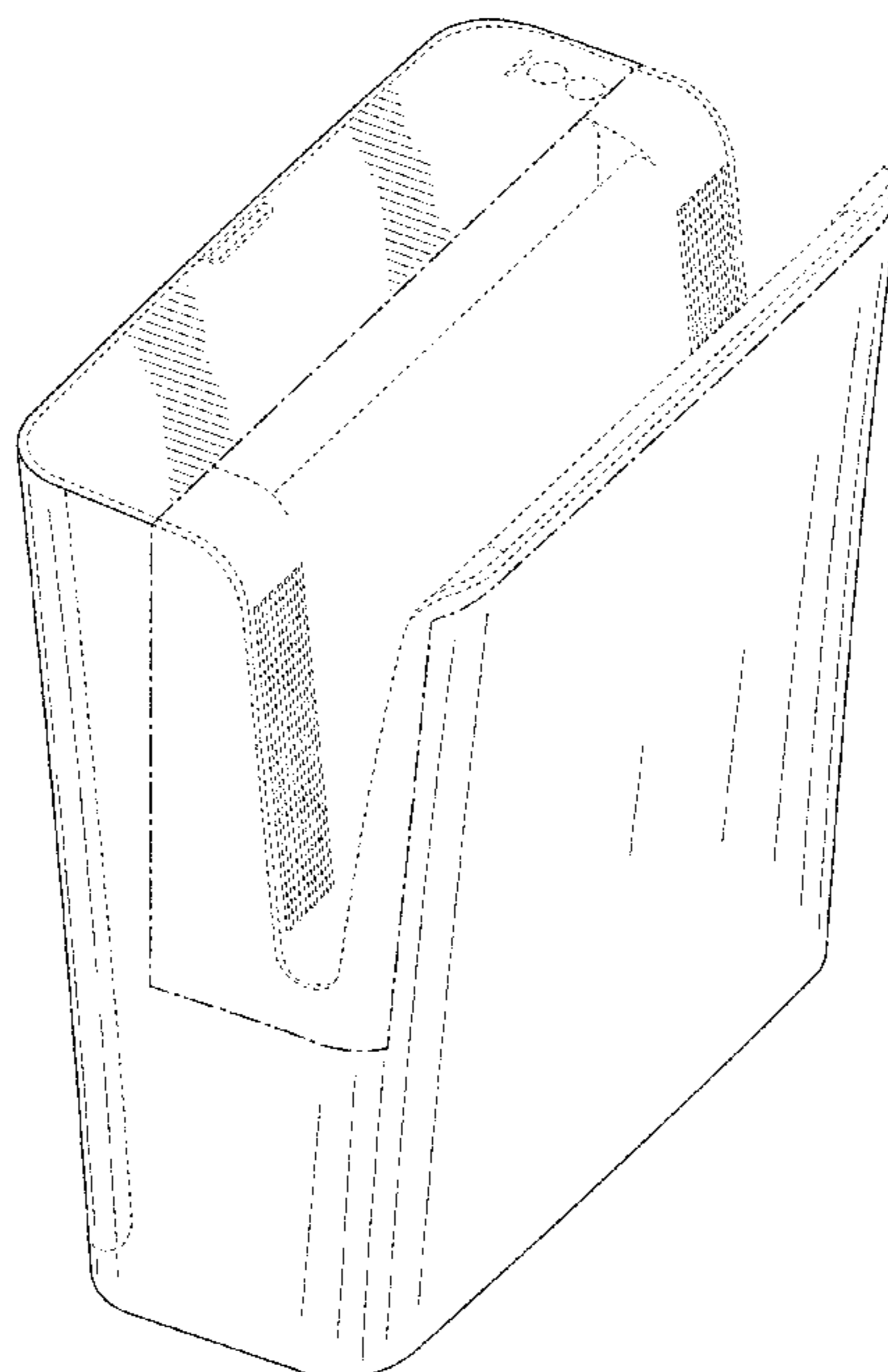
We claim, the ornamental design for a printer, as shown and described.

DESCRIPTION

FIG. 1 is a front perspective view of a printer showing our new design;
FIG. 2 is a front view thereof;
FIG. 3 is a rear view thereof;
FIG. 4 is a left side view thereof;
FIG. 5 is a right side view thereof;
FIG. 6 is a top view thereof; and,
FIG. 7 is a bottom view thereof.

The broken lines illustrating portions of the printer are for environmental purposes only and form no part of the claimed design. The dot-dash broken lines represent unclaimed boundary lines and form no part of the claimed design.

1 Claim, 6 Drawing Sheets



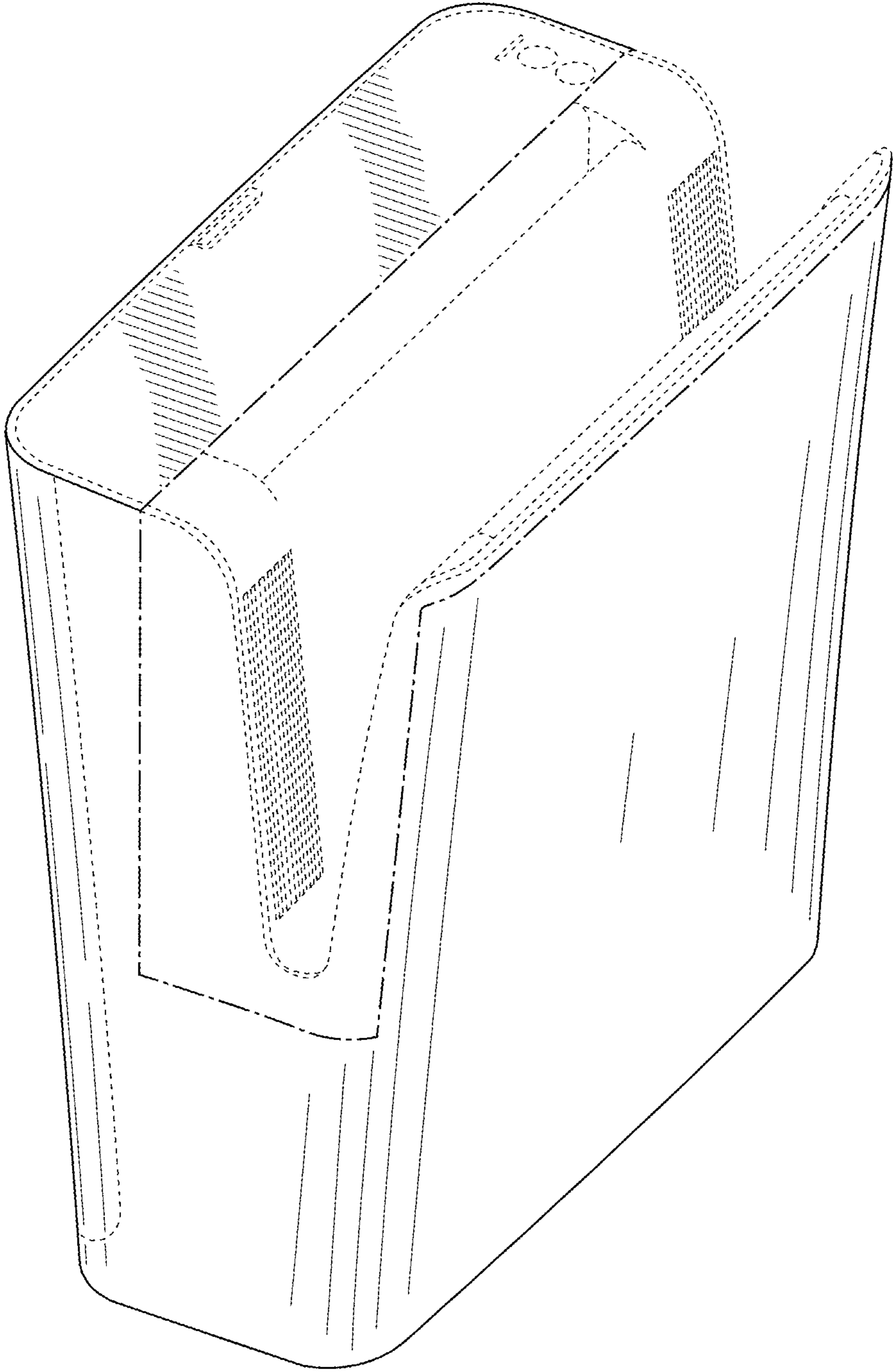


FIG. 1

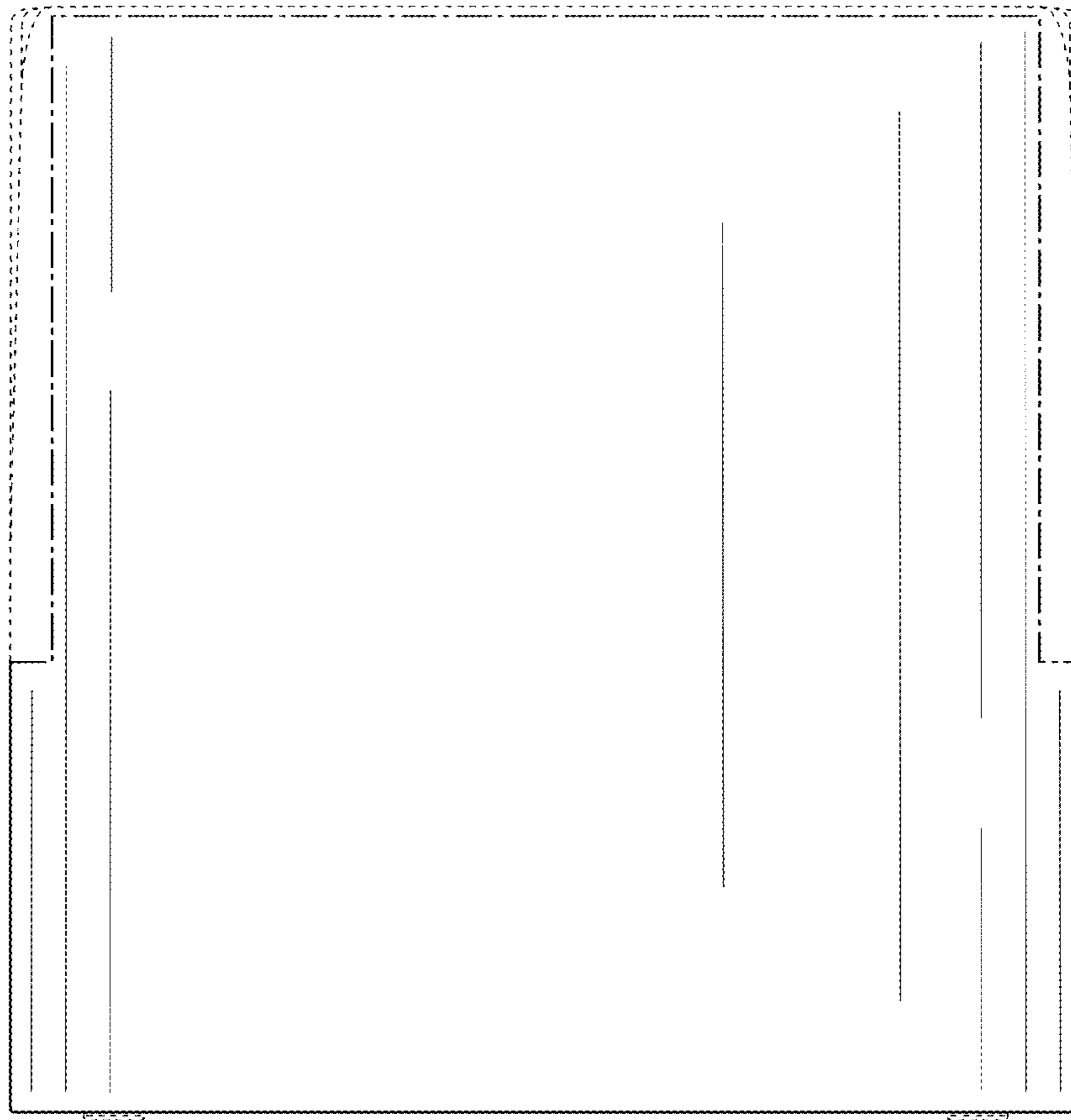


FIG. 2

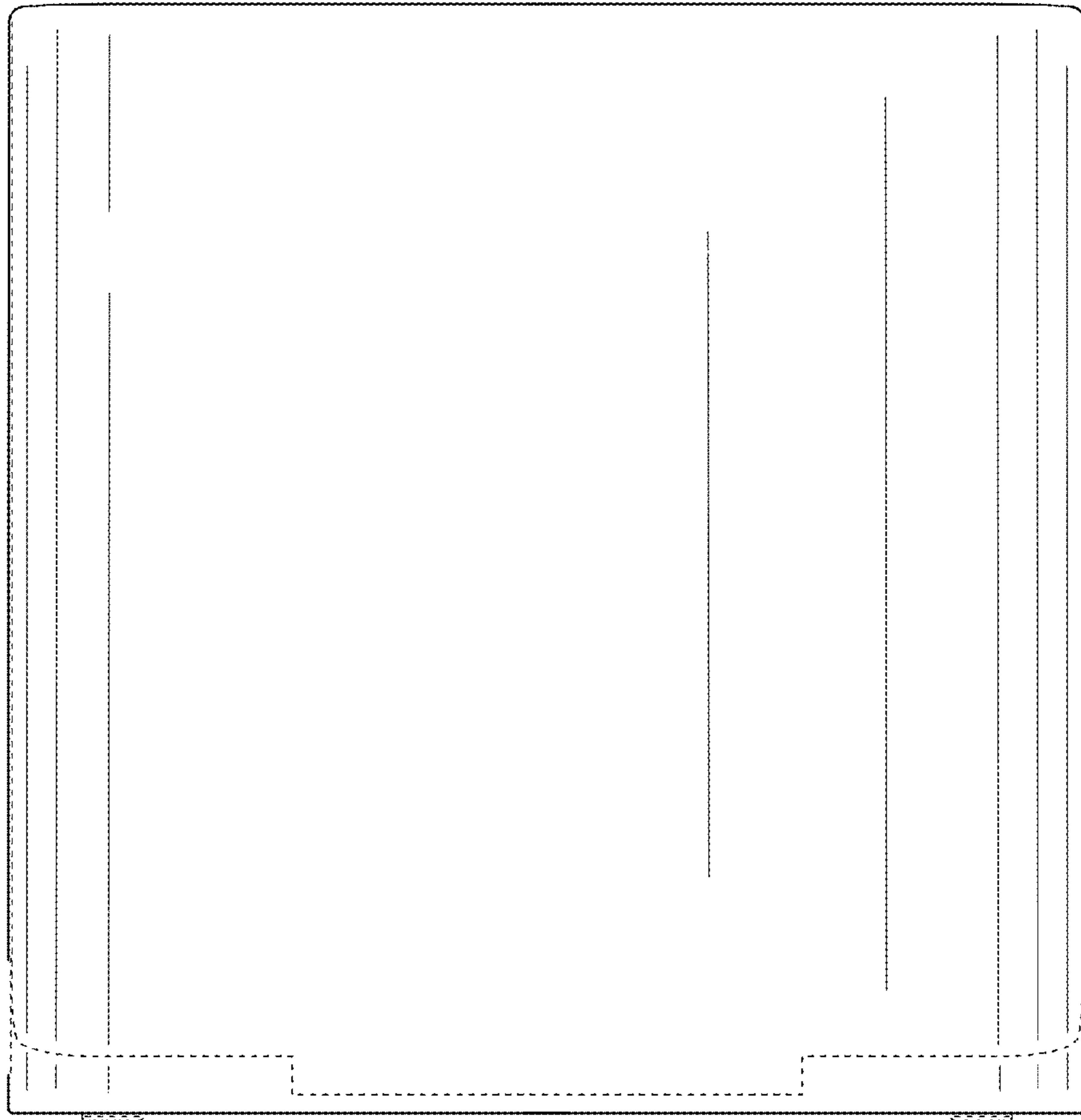


FIG. 3

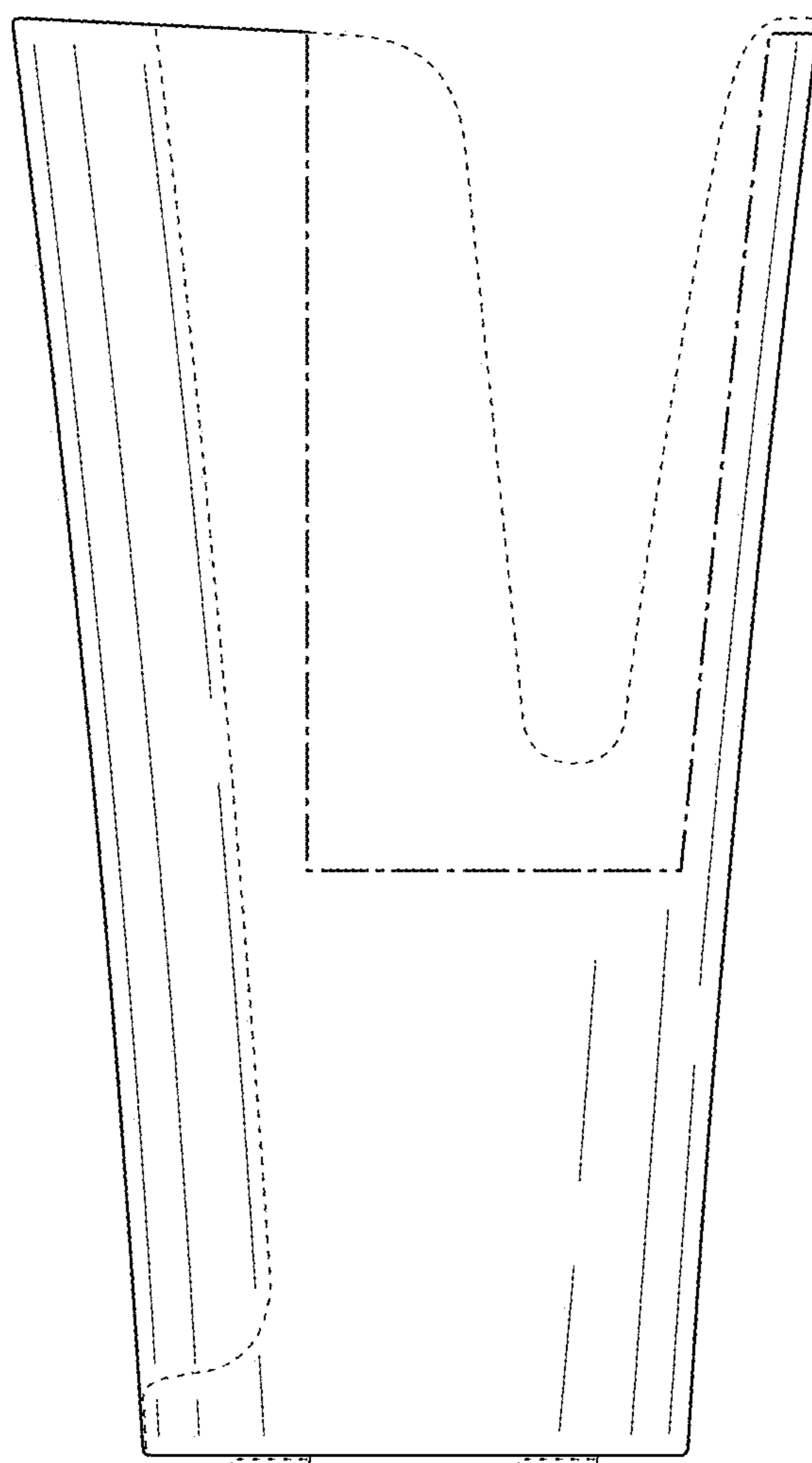


FIG. 4

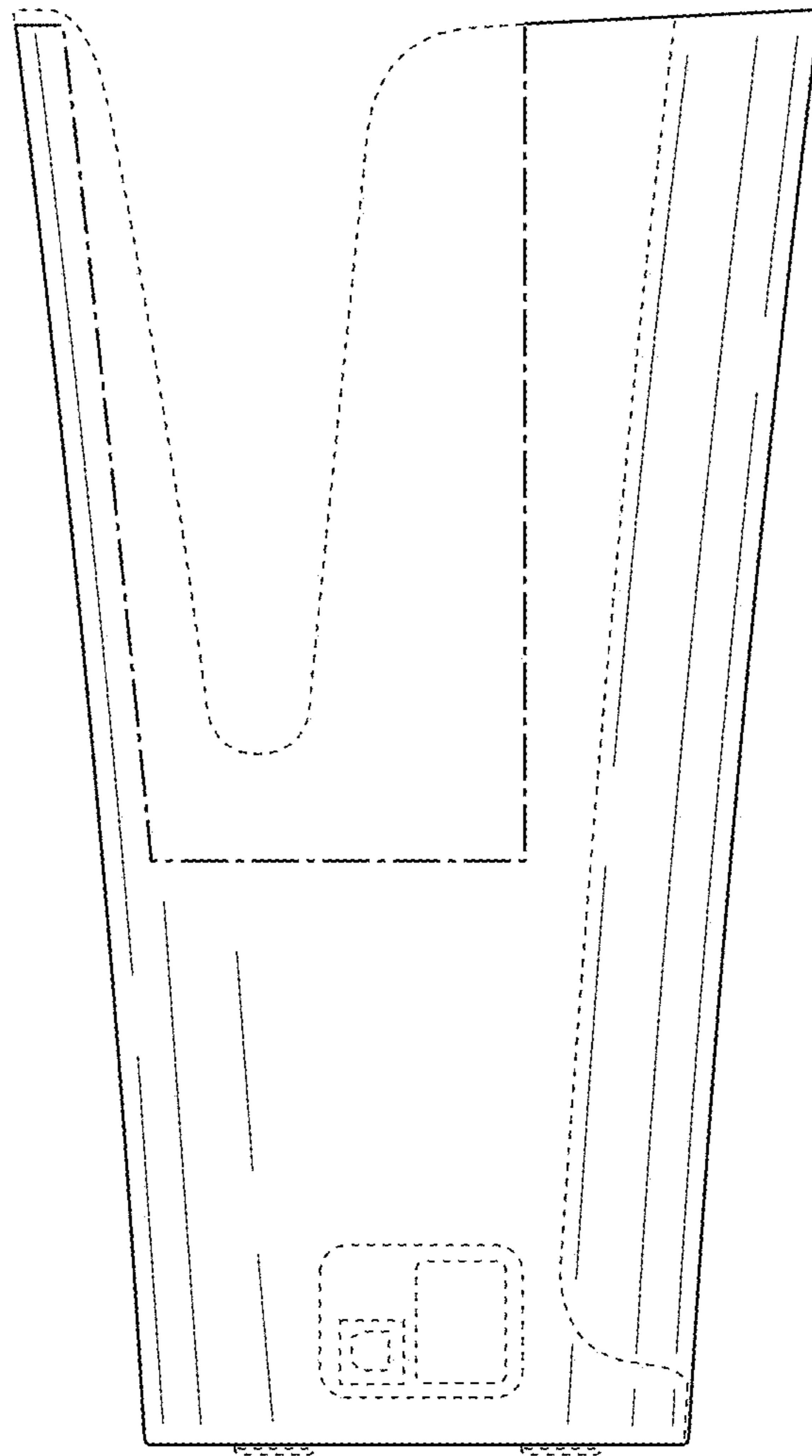


FIG. 5

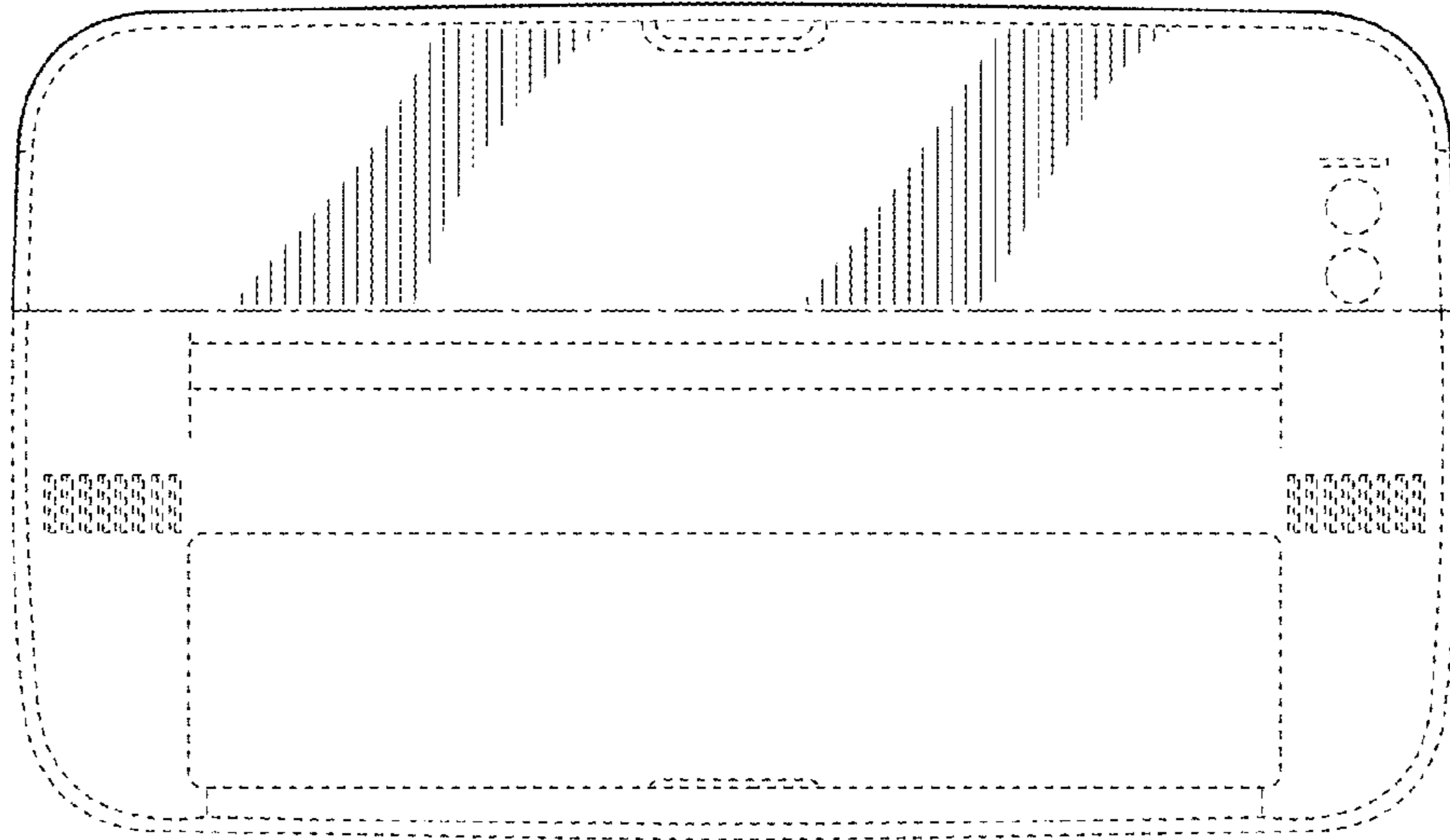


FIG. 6

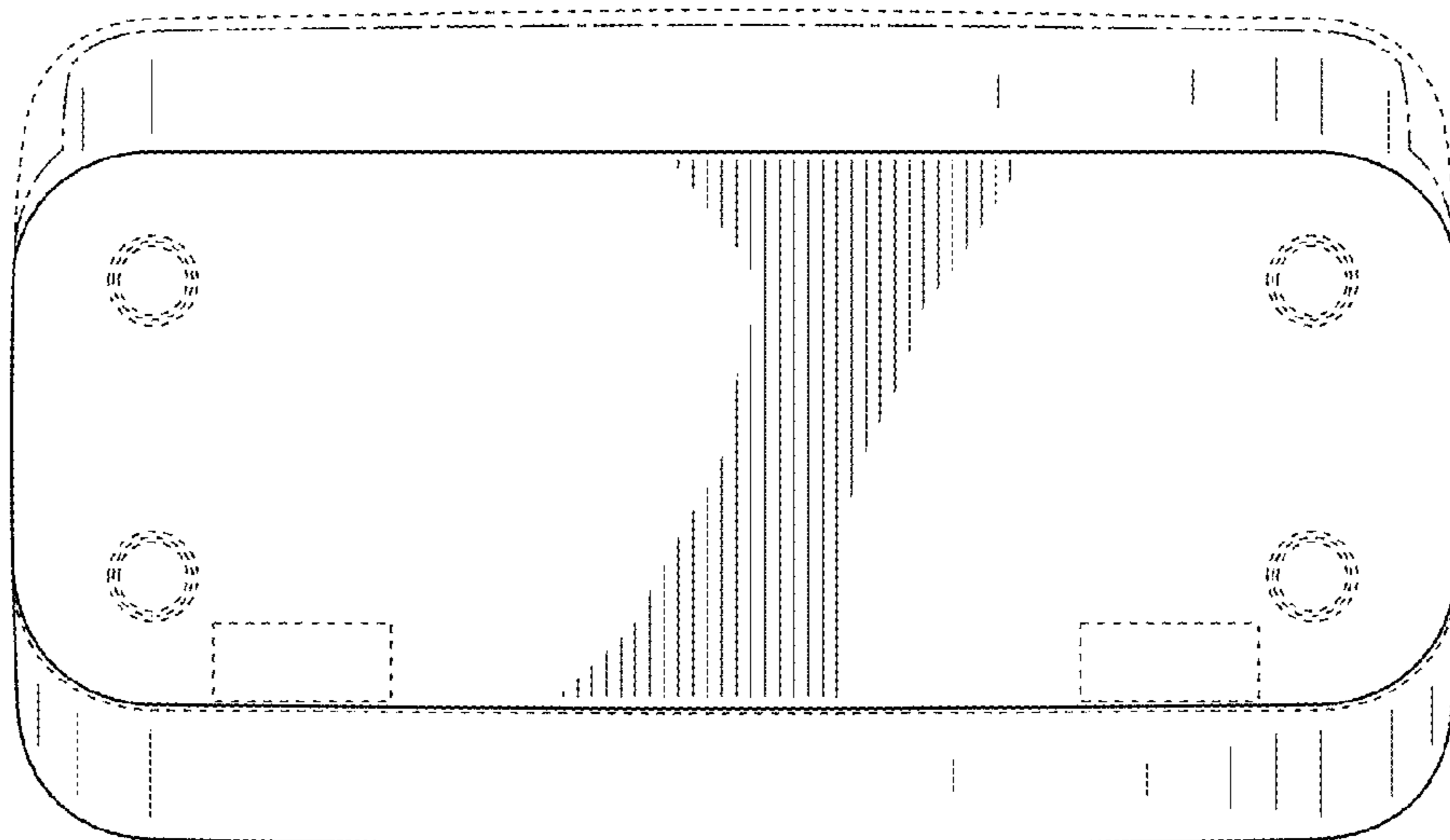


FIG. 7