



US00D741399S

(12) **United States Design Patent**
Ho

(10) **Patent No.:** **US D741,399 S**
(45) **Date of Patent:** **** Oct. 20, 2015**

(54) **PAIR OF TEMPLE ARMS FOR AN EYEGLASS FRAMES**

(71) Applicant: **Patrick C. Ho**, Hilton, NY (US)

(72) Inventor: **Patrick C. Ho**, Hilton, NY (US)

(73) Assignee: **Alpha Primitus, Inc.**, Hong Kong (HK)

(**) Term: **14 Years**

(21) Appl. No.: **29/454,794**

(22) Filed: **May 14, 2013**

(51) **LOC (10) Cl.** **16-06**

(52) **U.S. Cl.**
USPC **D16/335**

(58) **Field of Classification Search**
USPC D16/101, 300-342, 900; D29/109-110;
351/41, 44, 51-52, 62, 158, 92,
351/103-123, 140-153, 63, 59, 45-46;
2/426-432, 447-449, 441, 434-437,
2/13, 15; D21/483, 659-661; D14/372
CPC G02C 2200/08; G02C 1/06; G02C 5/14;
G02C 5/16
See application file for complete search history.

(56) **References Cited**

U.S. PATENT DOCUMENTS

D139,613 S	12/1944	Norton
3,189,912 A	6/1965	Miller
D220,291 S	3/1971	Bloch
4,968,128 A	11/1990	Mendola
D342,081 S	12/1993	Fynan
D352,725 S	11/1994	Charriol
D377,040 S	12/1996	Khantzis et al.
D417,462 S	12/1999	Chang
D482,384 S	11/2003	Frederik Anton Thiele et al.
D537,102 S	2/2007	Lovegrove
7,185,982 B2	3/2007	Dietz
D552,667 S	10/2007	Smith

D558,253 S	12/2007	Mouclier et al.
D568,370 S *	5/2008	Della Valle D16/326
D575,323 S	8/2008	Jannard et al.
D581,445 S	11/2008	Nakanishi
7,524,052 B2	4/2009	Esses
7,530,688 B2	5/2009	Grogan et al.
D595,759 S	7/2009	Gonzalez
7,588,331 B2	9/2009	Burnstein
7,591,554 B2	9/2009	Guerrero
7,665,839 B1	2/2010	Tedeschi
7,677,721 B2	3/2010	Siu
D614,227 S	4/2010	Muthsam
7,712,893 B2	5/2010	Dobashi
7,726,806 B2	6/2010	Boulas et al.
D625,352 S	10/2010	Gonzalez

(Continued)

FOREIGN PATENT DOCUMENTS

WO 200913111 A1 9/2009

OTHER PUBLICATIONS

International Search Report and Written Opinion of PCT Application No. PCT/US2013/022552, dated Aug. 13, 2013.

Primary Examiner — Raphael Barkai

(74) *Attorney, Agent, or Firm* — Joseph M. Noto; Bond, Schoeneck & King PLLC

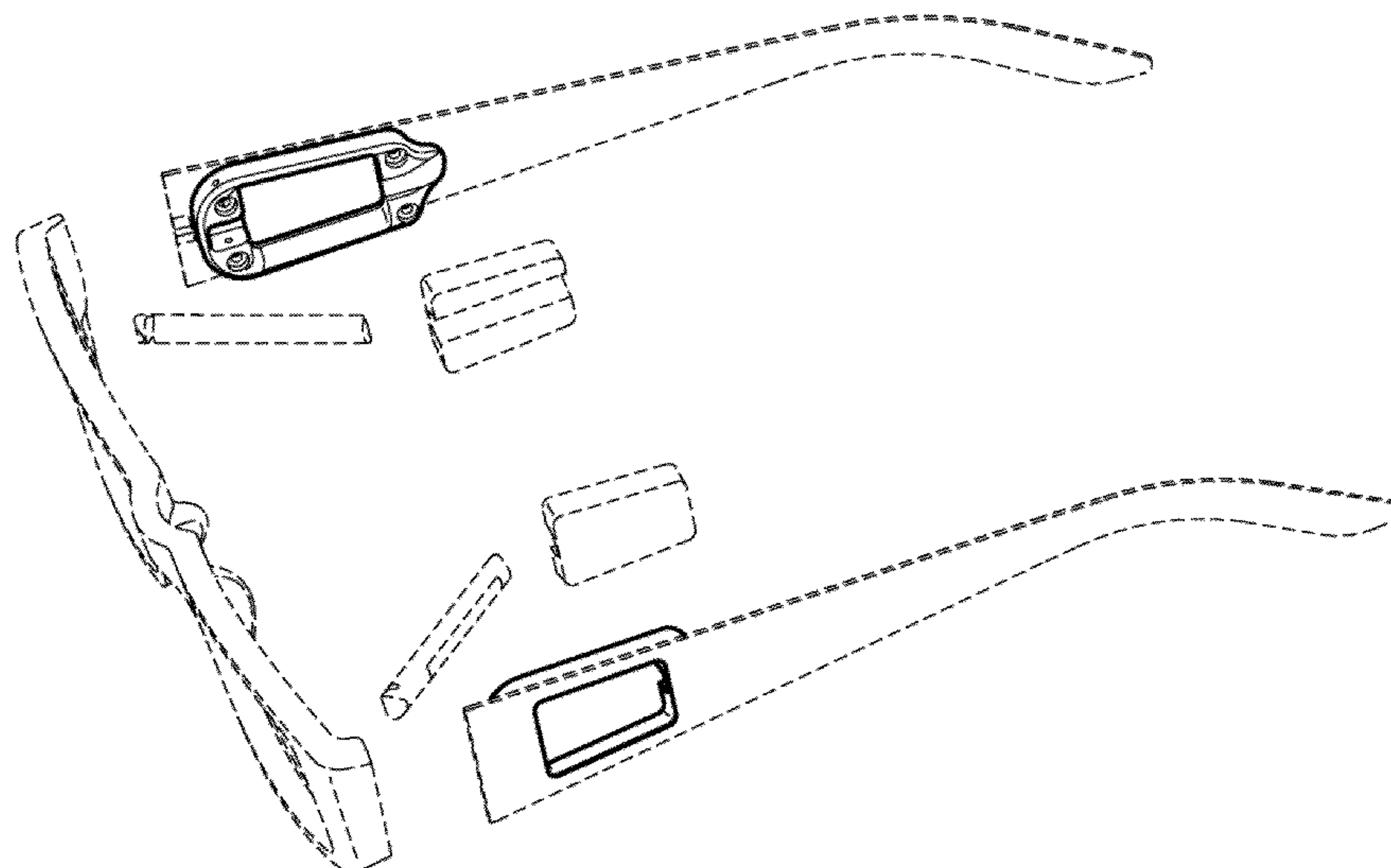
(57) **CLAIM**

The ornamental design for a pair of temple arms for an eyeglass frame, as shown and described.

DESCRIPTION

FIG. 1 is a perspective view of a pair of temple arms for an eyeglass frame in an exploding format showing my new design; and, FIG. 2 is a perspective view thereof shown in an exploding format. The broken lines shown in FIGS. 1 and 2 are for illustrative purposes only and form no part of the claimed design.

1 Claim, 2 Drawing Sheets



(56)

References Cited

U.S. PATENT DOCUMENTS

D629,829	S *	12/2010	Markovitz et al.	D16/321	D675,670	S	2/2013	Fuchs	
7,874,668	B2	1/2011	Brousseau et al.		8,545,011	B2	10/2013	Chow	
7,874,669	B2 *	1/2011	Moritz et al.	351/119	D722,639	S *	2/2015	Ho	D16/335
7,874,670	B2	1/2011	Buggs et al.		2008/0231796	A1	9/2008	Zoullas et al.	
7,891,807	B2	2/2011	Mansuy		2008/0273162	A1	11/2008	Porter	
7,901,070	B2	3/2011	Burnstein		2009/0122253	A1	5/2009	Clay	
7,914,143	B2	3/2011	Heim		2009/0147213	A1	6/2009	Poole	
D636,811	S *	4/2011	Gonzalez	D16/335	2009/0273754	A1	11/2009	Ridgeway	
D637,644	S *	5/2011	Gonzalez	D16/326	2010/0002185	A1	1/2010	Zelman	
D640,733	S	6/2011	Ho		2010/0002186	A1	1/2010	Zelman	
7,997,724	B1 *	8/2011	Hsu	351/158	2010/0014045	A1	1/2010	MacCallum	
8,020,988	B2 *	9/2011	Ogren et al.	351/153	2011/0080555	A1	4/2011	Chow	
8,123,351	B2	2/2012	Moritz et al.		2011/0116032	A1	5/2011	Brousseau et al.	
8,167,426	B2	5/2012	Lampru		2011/0213664	A1 *	9/2011	Osterhout et al.	705/14.58
D662,126	S	6/2012	Rhee		2012/0002158	A1	1/2012	Jirsa et al.	
D662,536	S *	6/2012	Shin	D16/321	2012/0075571	A1	3/2012	Silver	
8,201,938	B2	6/2012	Rhee		2012/0075572	A1	3/2012	Silver et al.	
D671,980	S	12/2012	Sallard		2012/0127419	A1	5/2012	Moore et al.	
					2012/0133883	A1	5/2012	Mezher	
					2012/0224135	A1	9/2012	Moritz et al.	

* cited by examiner

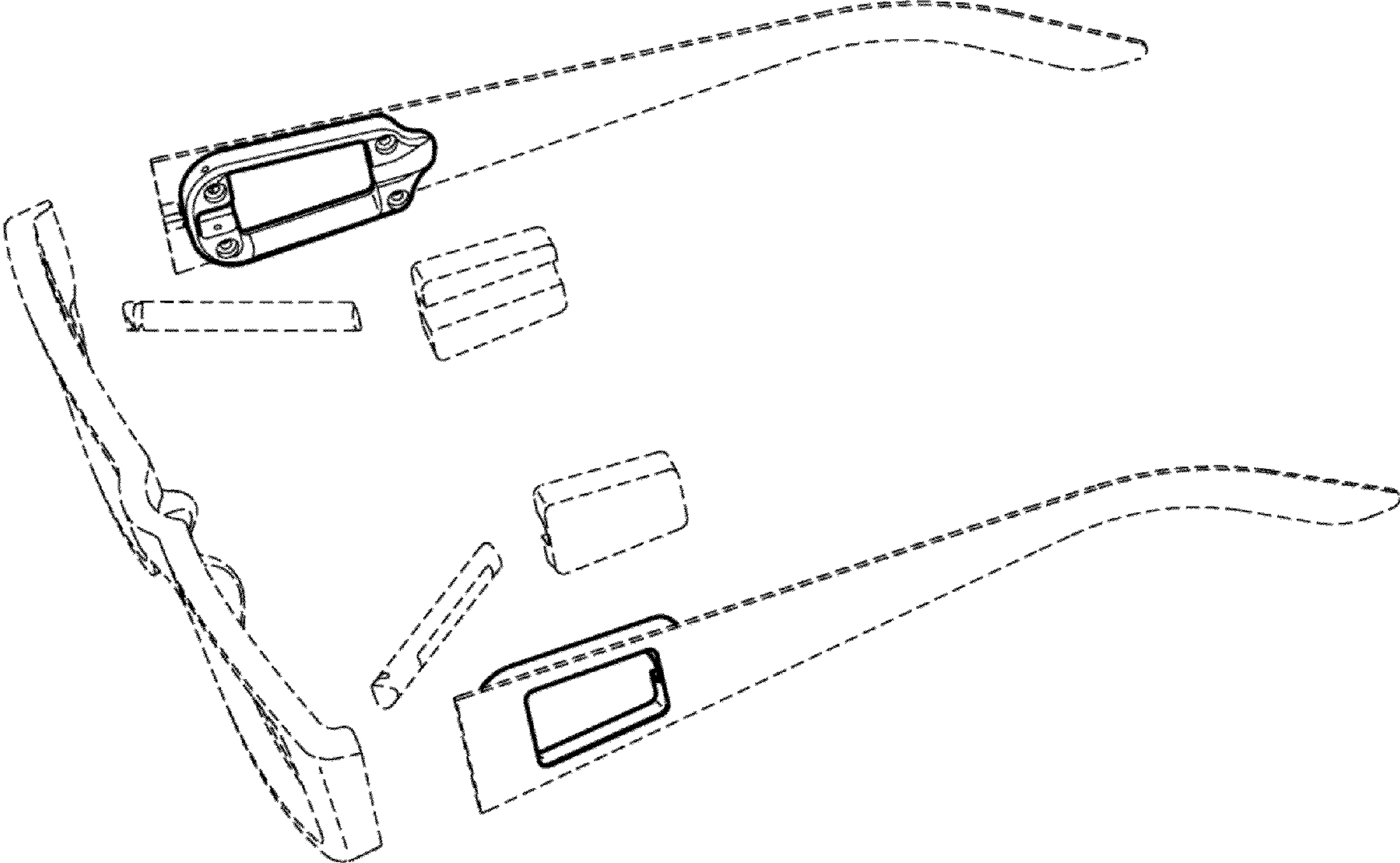


FIG. 1

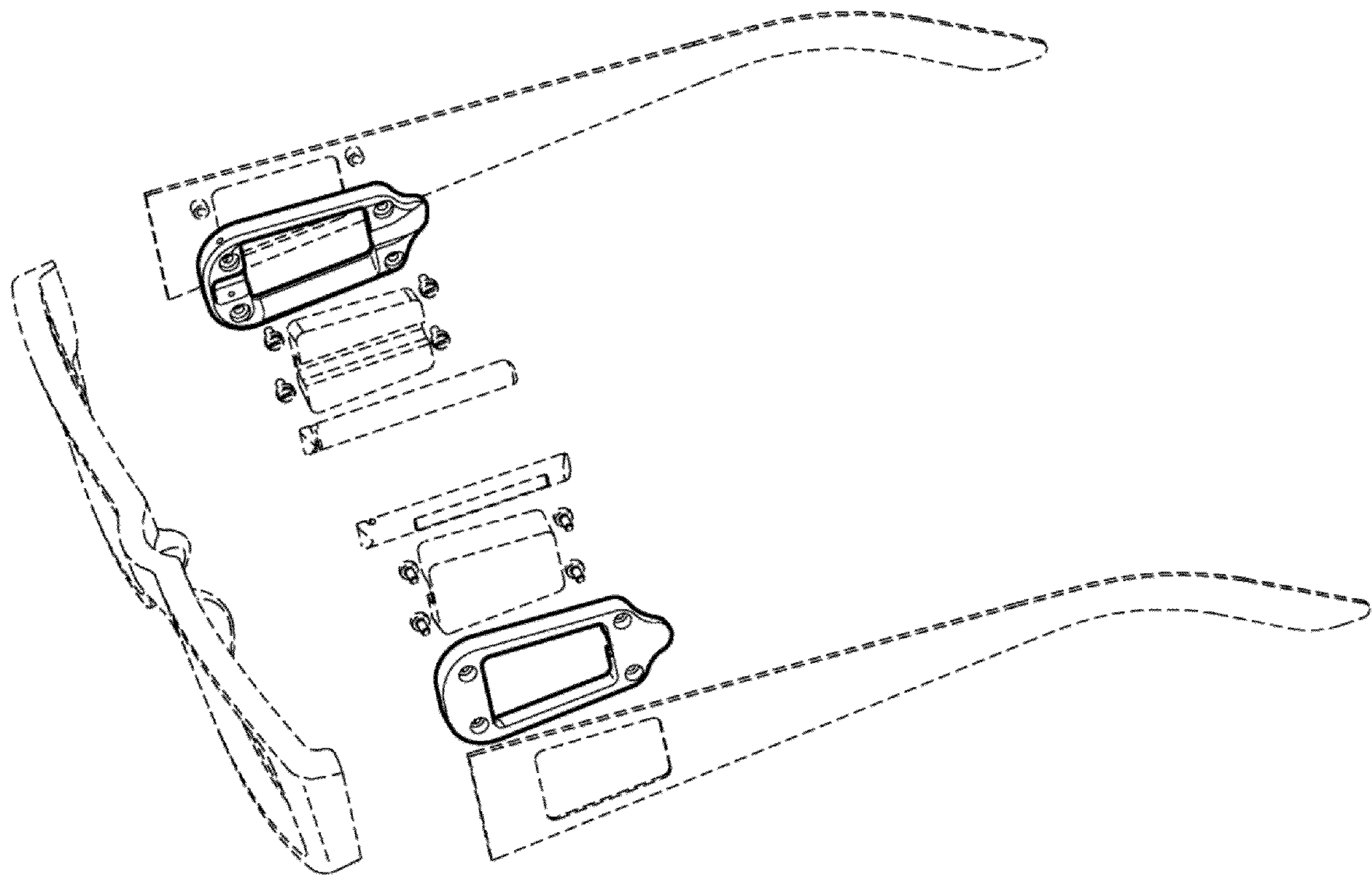


FIG. 2

UNITED STATES PATENT AND TRADEMARK OFFICE
CERTIFICATE OF CORRECTION

PATENT NO. : D741,399 S
APPLICATION NO. : 29/454794
DATED : October 20, 2015
INVENTOR(S) : Patrick C. Ho

Page 1 of 1

It is certified that error appears in the above-identified patent and that said Letters Patent is hereby corrected as shown below:

Title page Item (54) Title

Change "PAIR OF TEMPLE ARMS FOR AN EYEGLASS FRAMES" to --PAIR OF TEMPLE
ARMS FOR AN EYEGLASS FRAME--.

Signed and Sealed this
Twenty-fourth Day of May, 2016



Michelle K. Lee
Director of the United States Patent and Trademark Office