



US00D741397S

(12) **United States Design Patent**  
**Minn et al.**

(10) **Patent No.:** **US D741,397 S**  
(45) **Date of Patent:** **\*\* Oct. 20, 2015**

(54) **TRIPOD FOR AN ELECTRONIC DEVICE**

FOREIGN PATENT DOCUMENTS

(71) Applicant: **Kenu, Inc.**, San Francisco, CA (US)

CH 141045-0001 11/2014  
CH 141045-0002 11/2014

(72) Inventors: **Kenneth Y. Minn**, San Francisco, CA (US); **David E. Yao**, San Francisco, CA (US); **Leonard John Duran**, Mill Valley, CA (US)

(Continued)

(73) Assignee: **KENU, INC.**, San Francisco, CA (US)

OTHER PUBLICATIONS

(\*\*) Term: **14 Years**

(21) Appl. No.: **29/506,667**

Kenu, Inc.; Stance Compact Tripod; <https://web.archive.org/web/20150202091854/http://www.kenu.com/products/STANCE>; Archived date: Feb. 2, 2015.

(22) Filed: **Oct. 17, 2014**

*Primary Examiner* — Susan Bennett Hattan

(51) **LOC (10) Cl.** ..... **16-05**

*Assistant Examiner* — Leanne Was

(52) **U.S. Cl.**  
USPC ..... **D16/244**

(74) *Attorney, Agent, or Firm* — Troutman Sanders, LLP

(58) **Field of Classification Search**  
USPC ..... D14/253, 447; D16/237, 242, 243, 244, D16/245; 224/908; 248/163.1, 166–171, 248/177.1, 178.1, 181.1, 185, 187.1, 434, 248/435, 440, 440.1; 396/419–428  
See application file for complete search history.

(57) **CLAIM**

We claim the ornamental design for a tripod for an electronic device, as shown and described.

(56) **References Cited**

**DESCRIPTION**

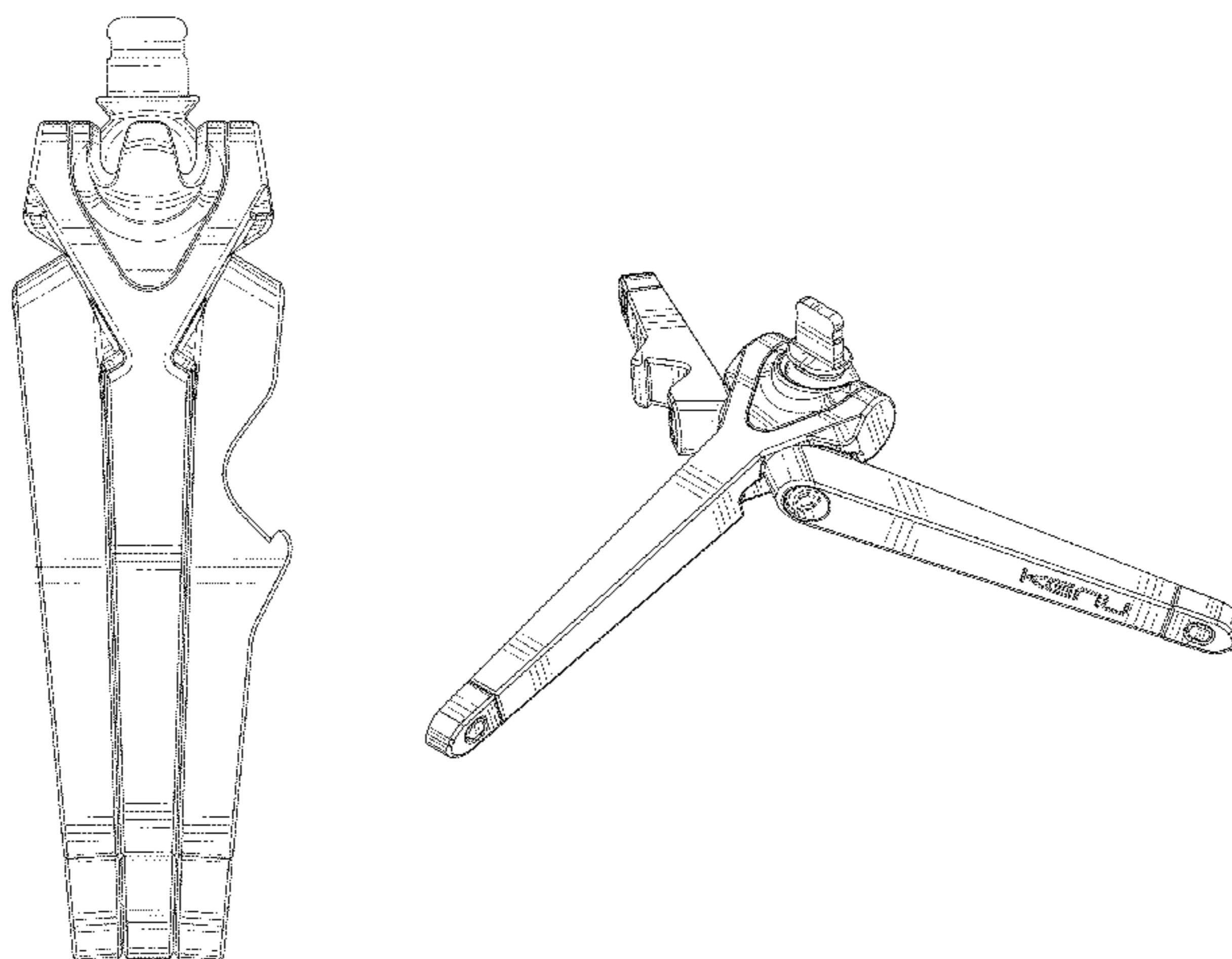
U.S. PATENT DOCUMENTS

4,640,482	A	2/1987	Rogers	
4,648,698	A	3/1987	Iwasaki	
4,751,540	A	6/1988	Jones	
D299,243	S	1/1989	Iwasaki	
D349,717	S	8/1994	Akaike et al.	
D349,914	S *	8/1994	Usui	D16/244
D350,970	S *	9/1994	Usui	D16/244
5,390,885	A	2/1995	Shen	
D357,267	S *	4/1995	Yotsuya	D16/244
D357,493	S *	4/1995	Yotsuya	D16/244
5,708,890	A *	1/1998	Nakano	396/428
5,772,164	A	6/1998	Shen	
D445,123	S *	7/2001	Shen	D16/244
D508,938	S	8/2005	Murray et al.	
7,011,280	B2	3/2006	Murray et al.	

FIG. 1 is a front elevational view of a tripod for an electronic device;  
FIG. 2 is a rear elevational view thereof;  
FIG. 3 is a right side elevational view thereof;  
FIG. 4 is a left side elevational view thereof;  
FIG. 5 is a top plan view thereof; and  
FIG. 6 is a bottom plan view thereof;  
FIG. 7 is a top plan view of the tripod for an electronic device in a deployed state;  
FIG. 8 is a bottom plan view thereof;  
FIG. 9 is a rear elevational view thereof;  
FIG. 10 is a front elevational view thereof;  
FIG. 11 is a right side elevational view thereof;  
FIG. 12 is a left side elevational view thereof; and,  
FIG. 13 is a perspective view thereof.  
The broken lines are for illustrating unclaimed portions of the tripod for an electronic device; the broken lines form no part of the claimed design.

(Continued)

**1 Claim, 12 Drawing Sheets**



(56)

References Cited

U.S. PATENT DOCUMENTS

7,290,740 B2 11/2007 Joy et al.  
D575,293 S 8/2008 Derry et al.  
D614,613 S 4/2010 Kim et al.  
7,712,719 B2 5/2010 Derry et al.  
8,186,639 B2 5/2012 Wang  
D664,182 S \* 7/2012 Braunstein et al. .... D16/244  
D669,065 S 10/2012 Fromm  
D690,707 S 10/2013 Minn et al.  
D706,333 S \* 6/2014 Chun ..... D16/244  
D715,790 S 10/2014 Conomos et al.  
D717,360 S 11/2014 Chun  
D718,298 S 11/2014 Aspinall et al.  
D718,365 S 11/2014 Kim et al.

D720,759 S 1/2015 Deng et al.  
D723,091 S \* 2/2015 Hale ..... D16/244  
D726,175 S 4/2015 Tsai et al.  
2012/0269503 A1\* 10/2012 Hale ..... 396/428  
2013/0175413 A1 7/2013 Waugh  
2014/0097306 A1 4/2014 Hale et al.

FOREIGN PATENT DOCUMENTS

CN 202749876 2/2013  
EM 002155614-0001 3/2013  
EM 002588962-0001 4/2015  
EM 002645523-0001 4/2015  
GB 2467614 A 8/2010  
JP D1250886 9/2005

\* cited by examiner

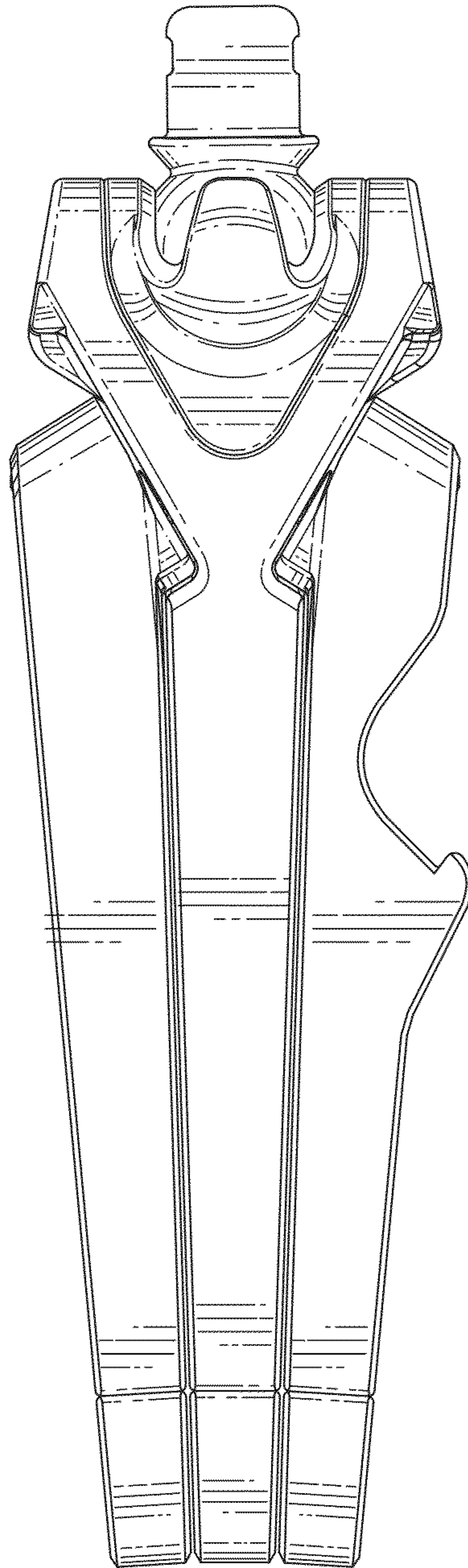


FIG. 1

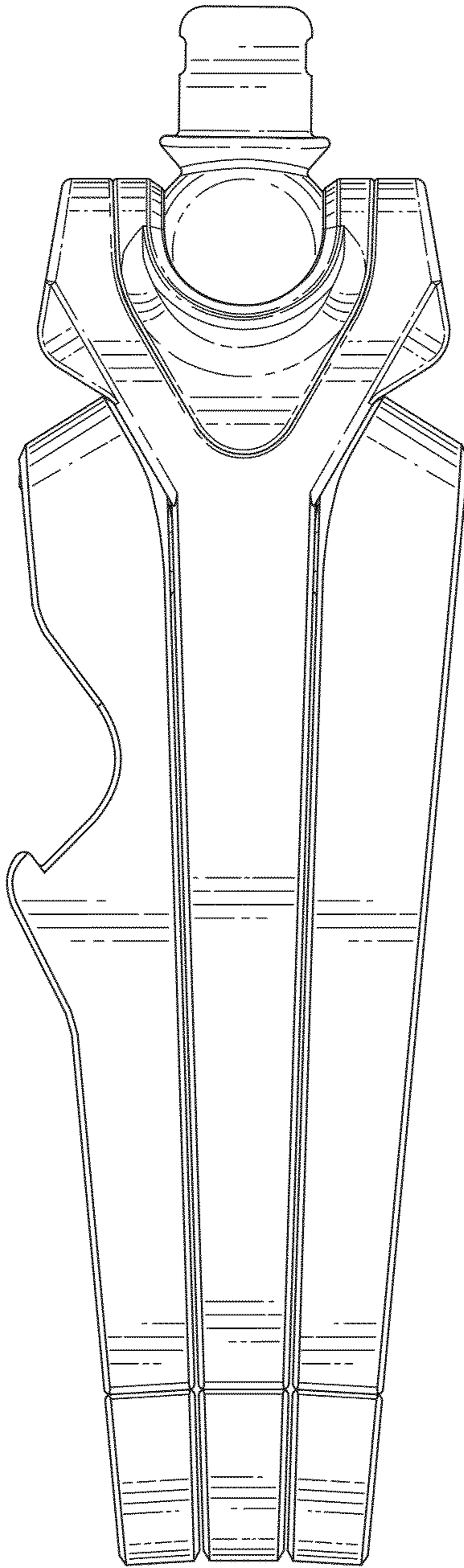


FIG. 2

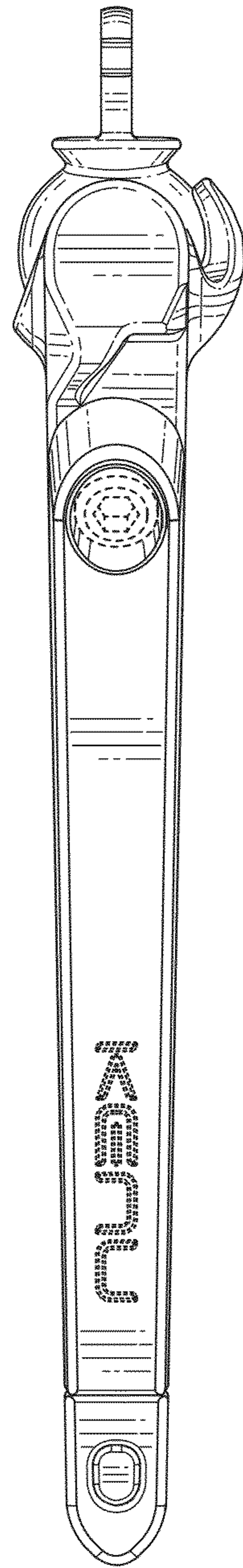


FIG. 3

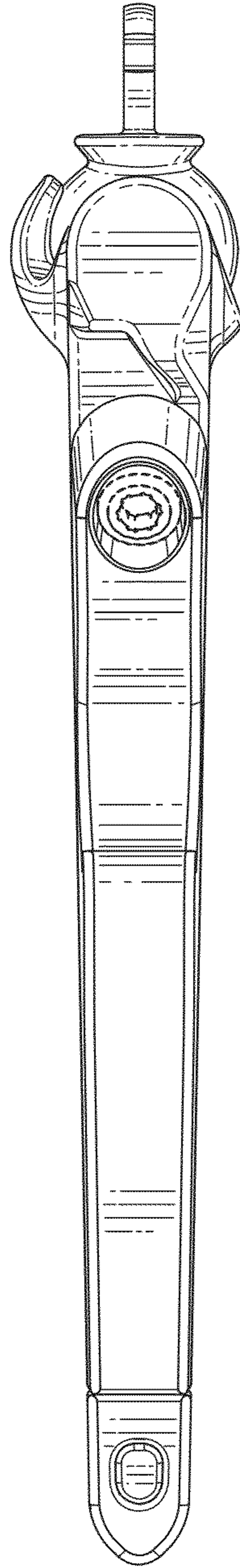


FIG. 4

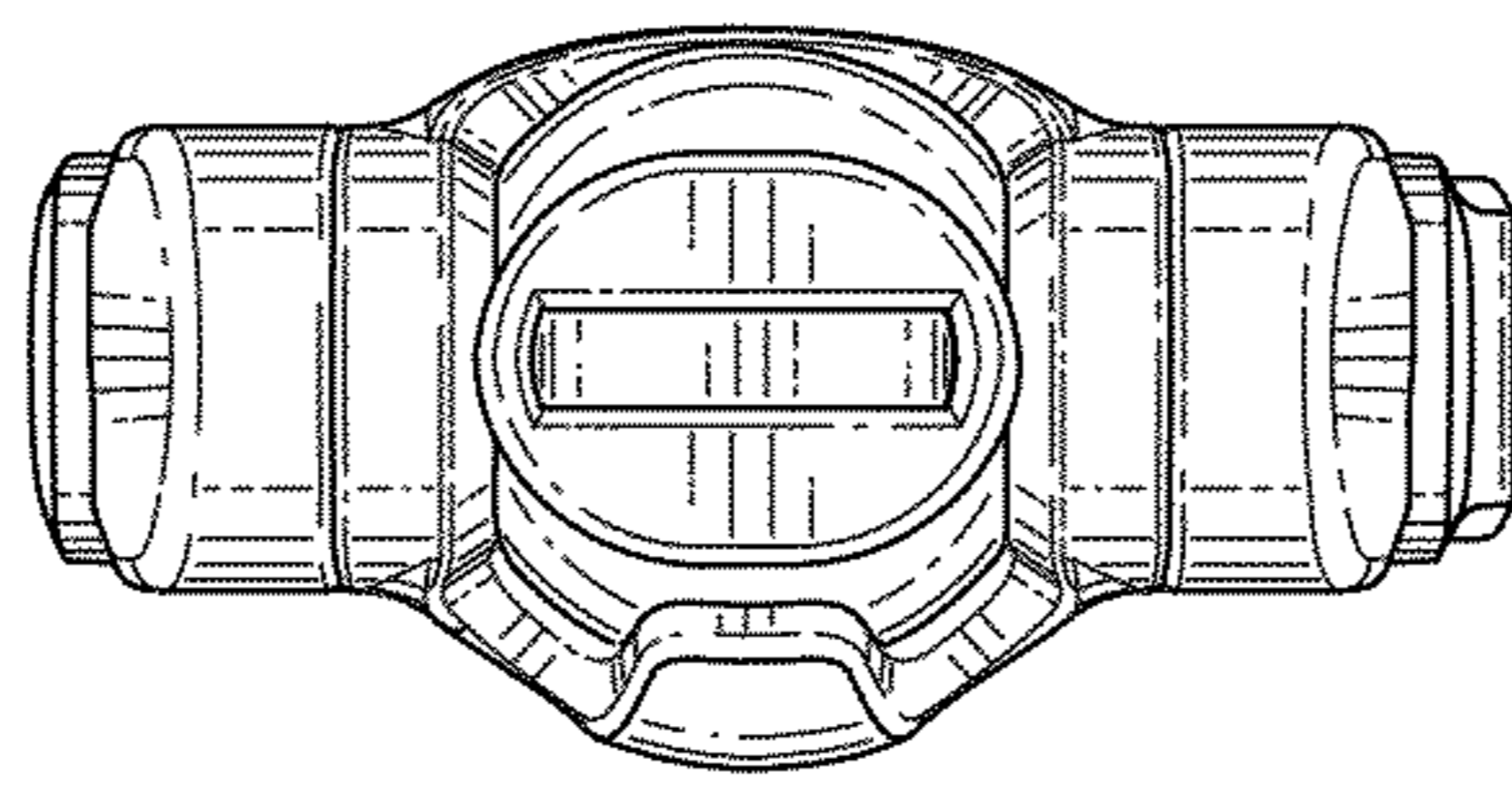


FIG. 5

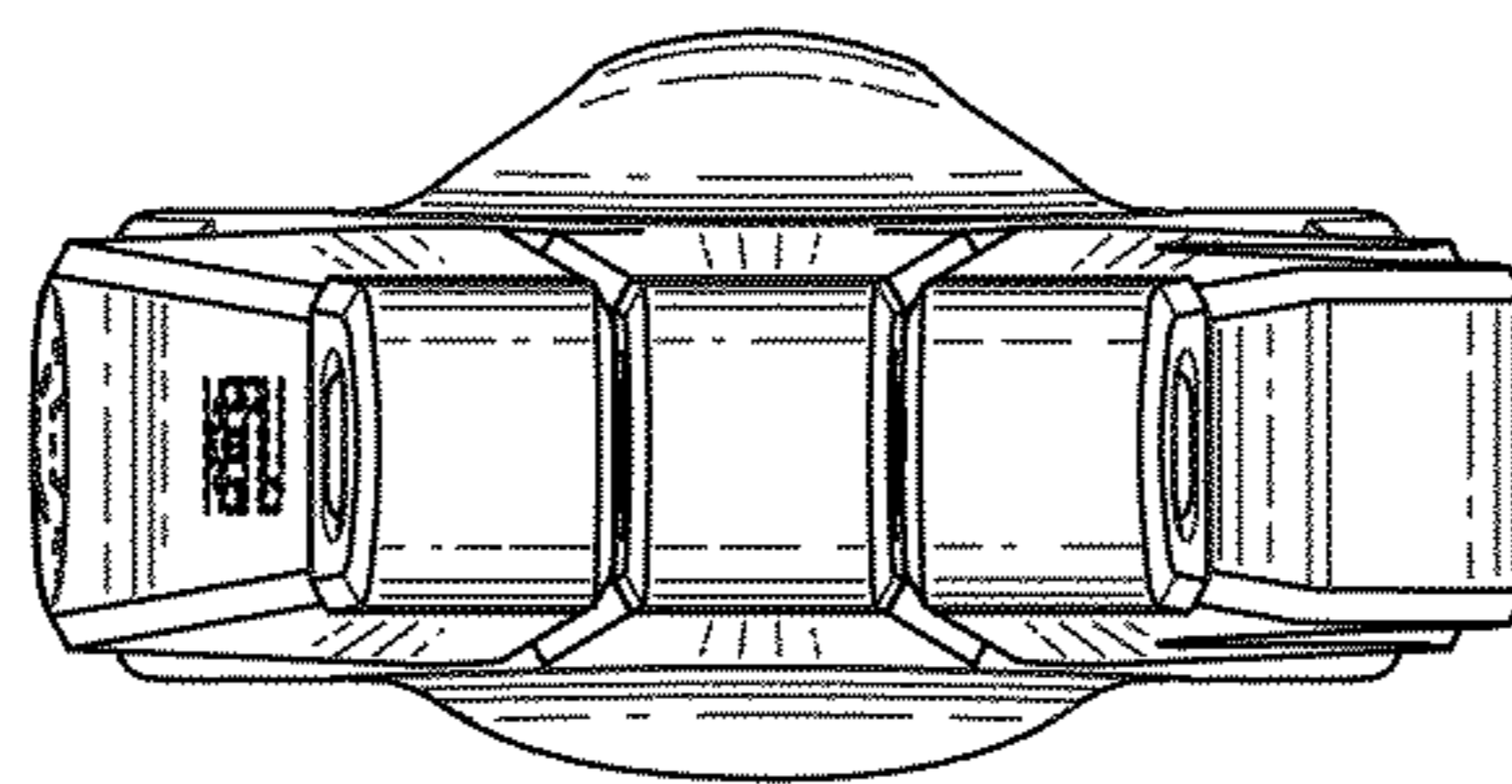


FIG. 6

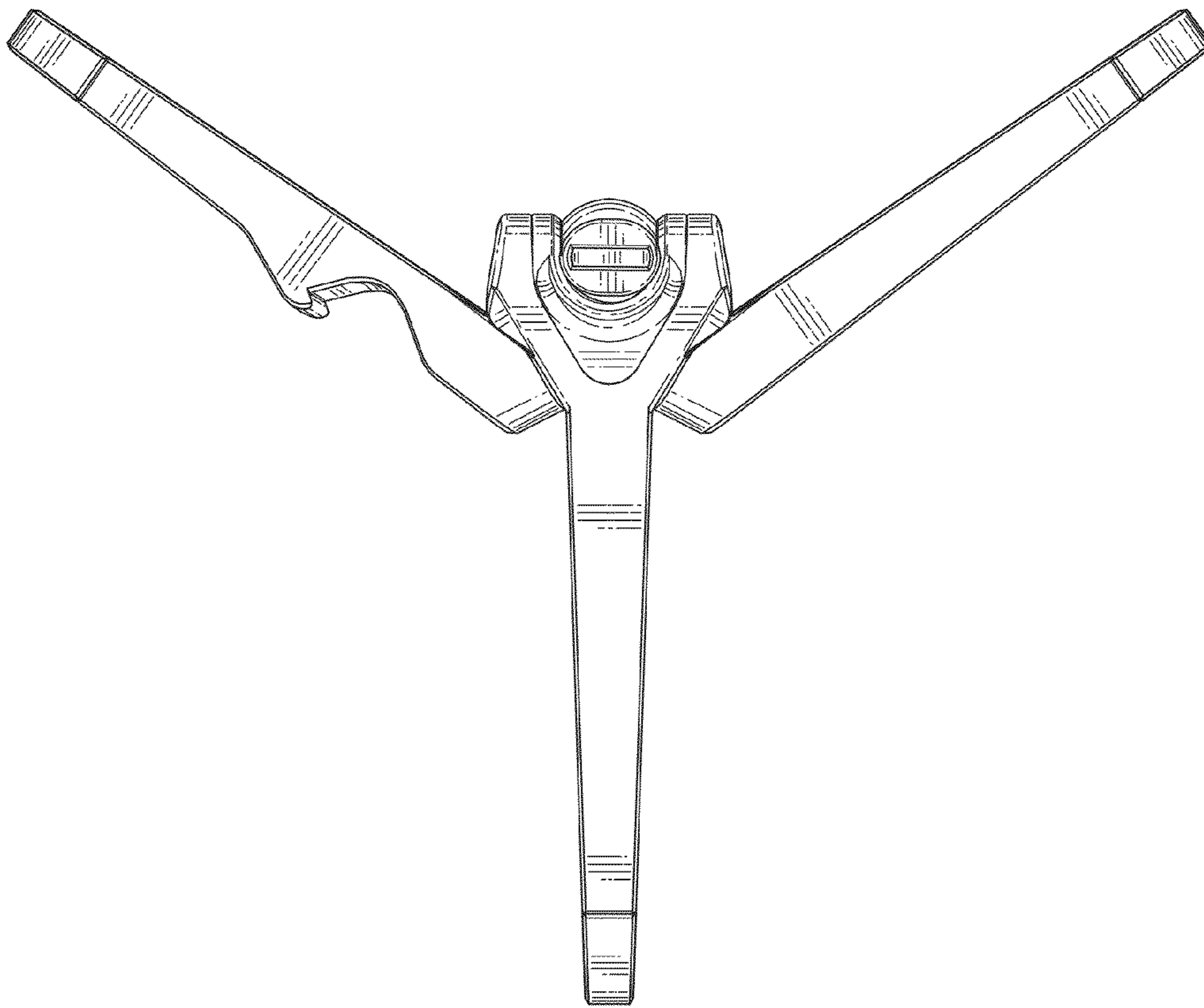


FIG. 7



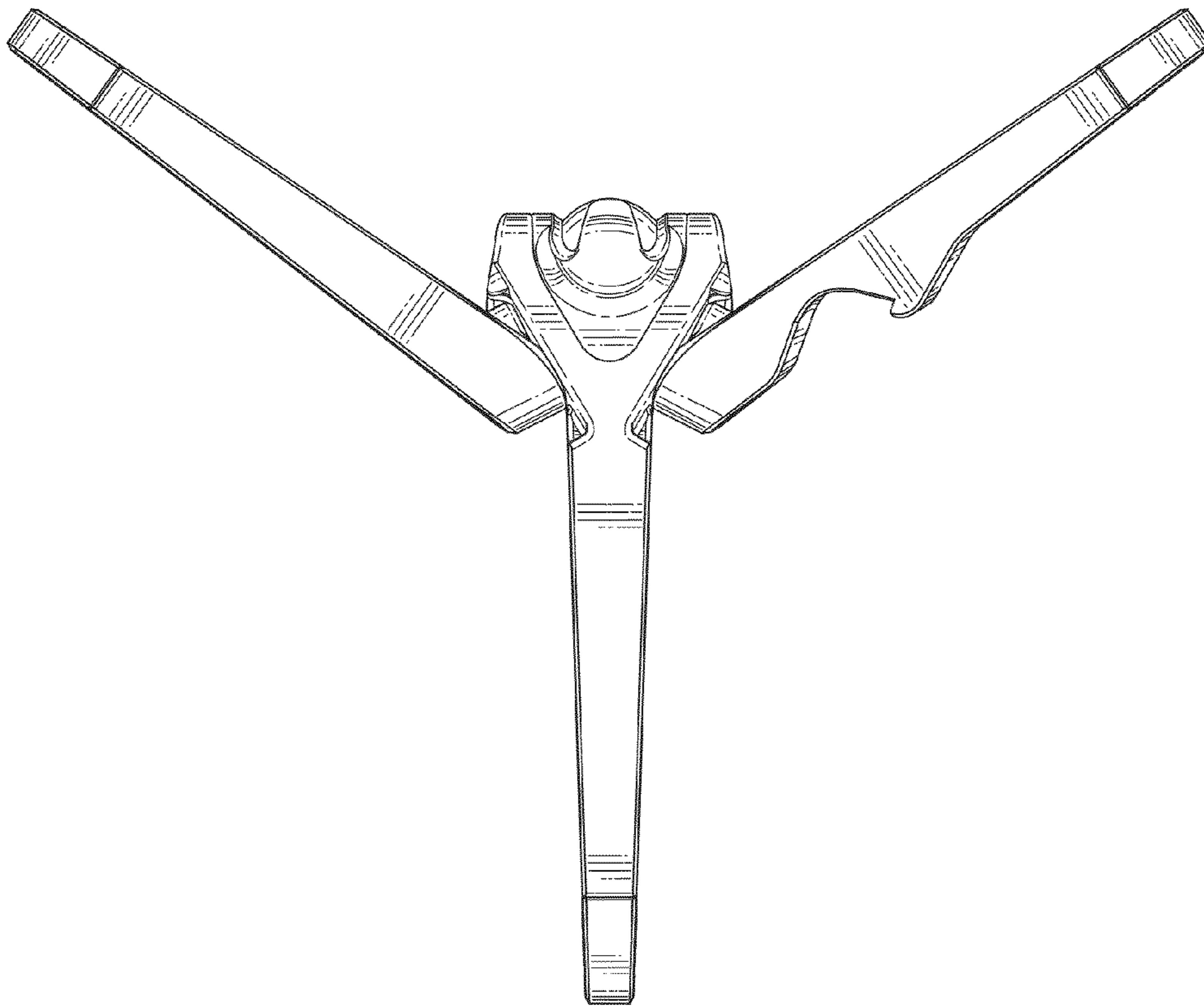


FIG. 8

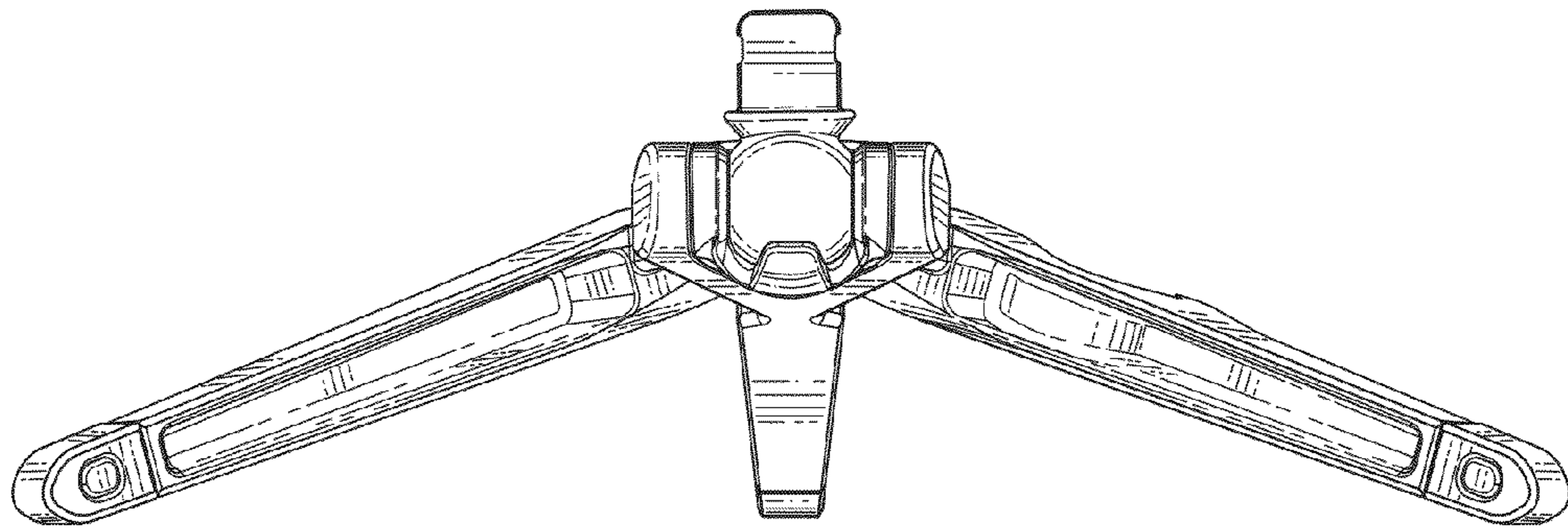


FIG. 9

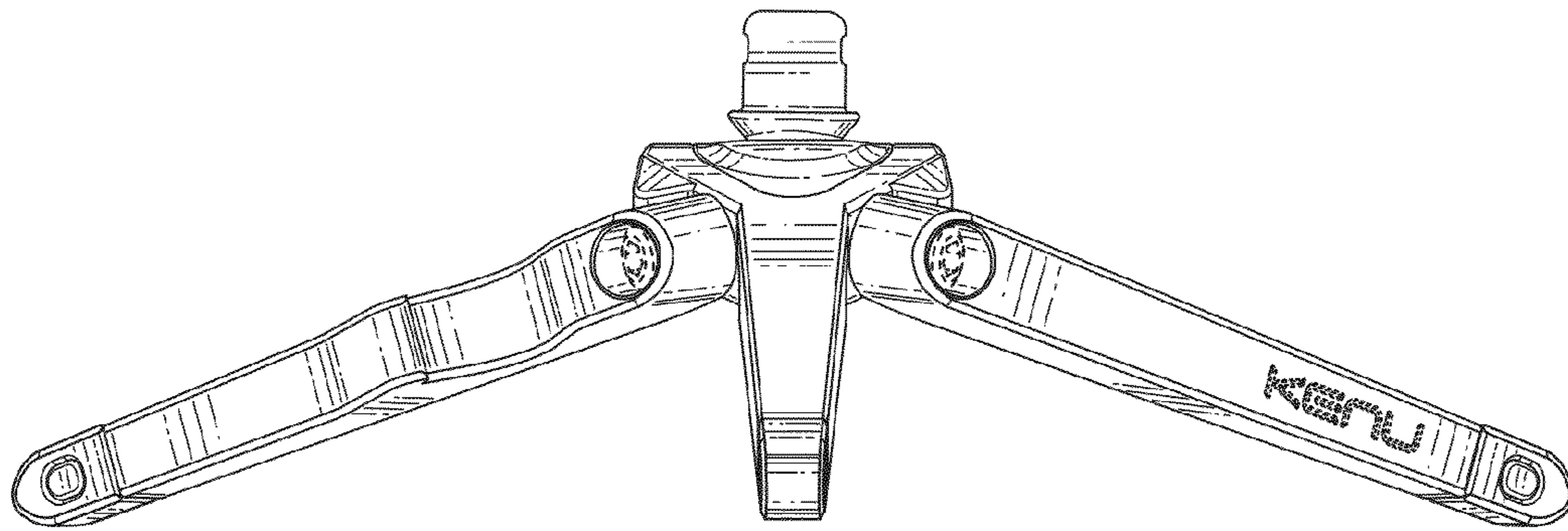


FIG. 10

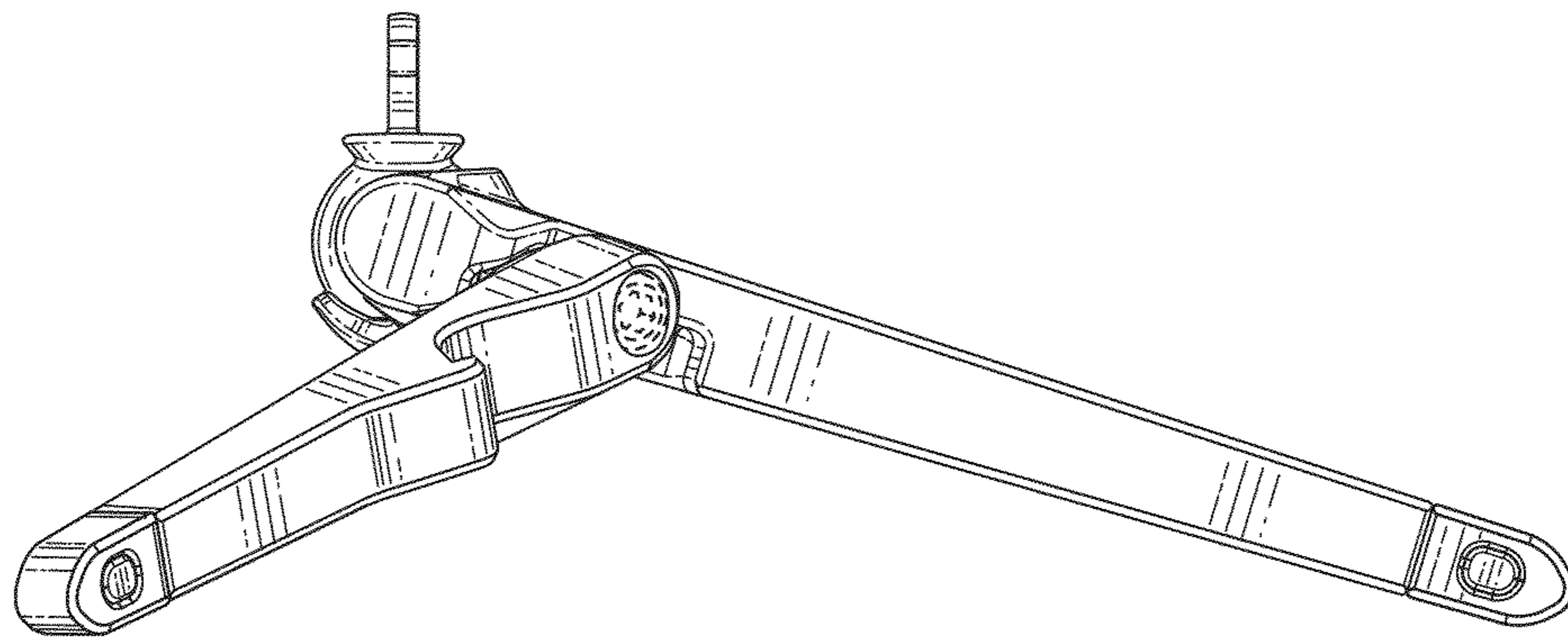


FIG. 11

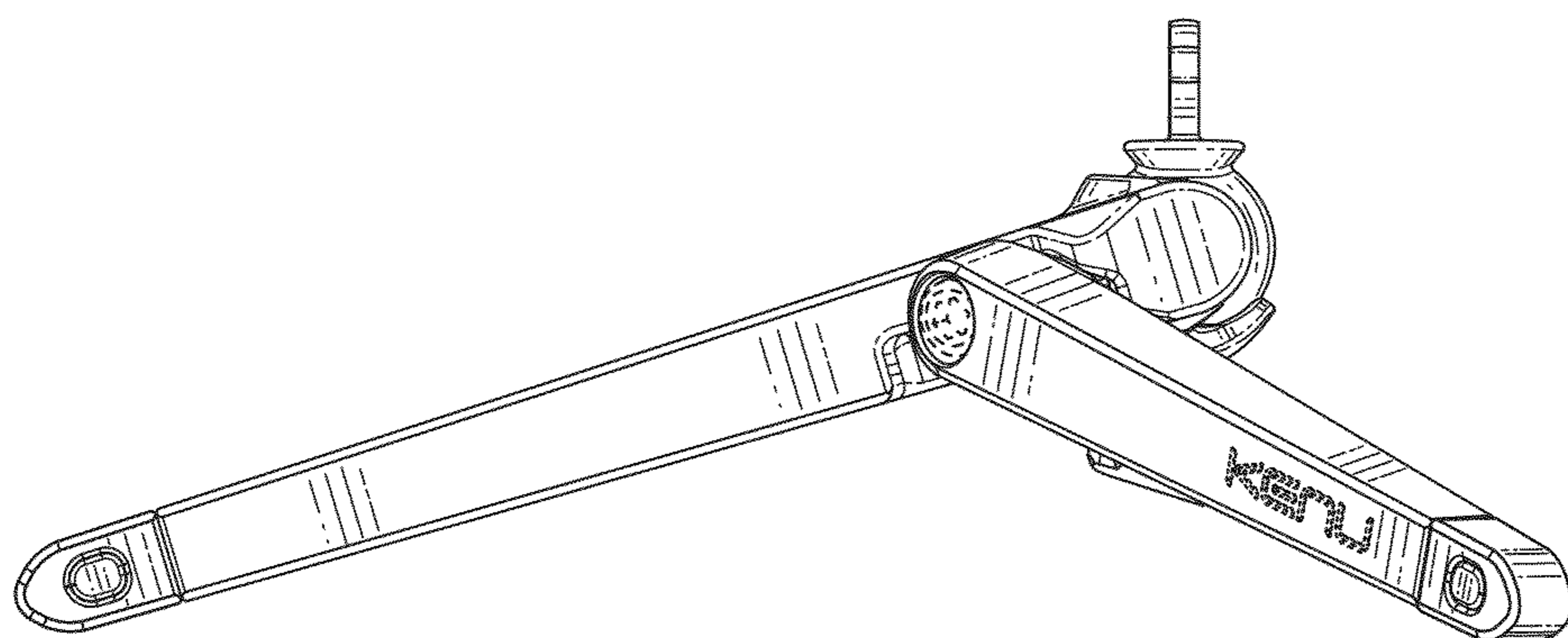


FIG. 12

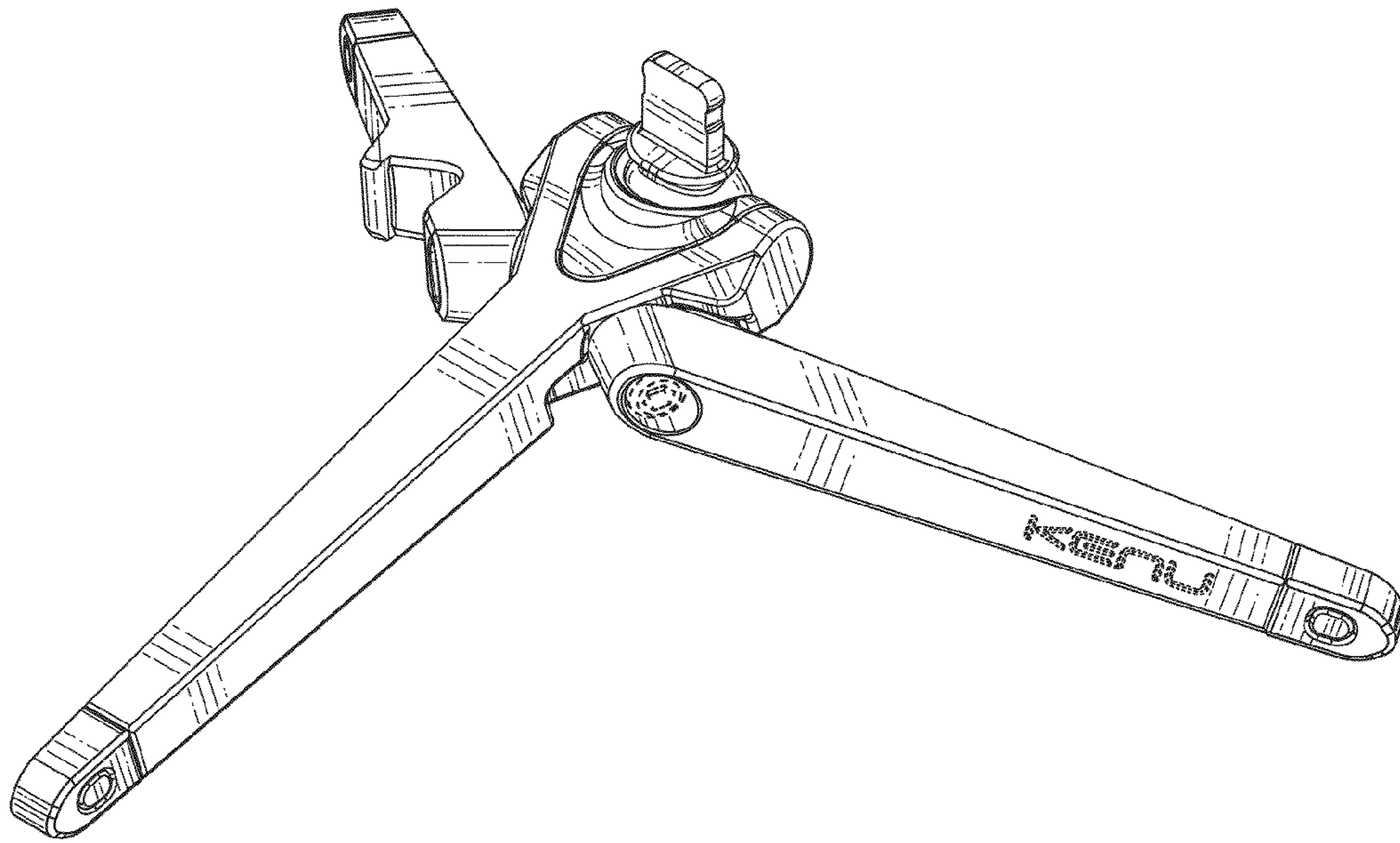


FIG. 13