



US00D741395S

(12) **United States Design Patent**
Oh

(10) **Patent No.:** **US D741,395 S**
(45) **Date of Patent:** **** Oct. 20, 2015**

(54) **FLASH FOR CAMERA**
(71) Applicant: **Samsung Electronics Co., Ltd.,**
Suwon-si (KR)
(72) Inventor: **San-Hui Oh,** Seoul (KR)
(73) Assignee: **SAMSUNG ELECTRONICS CO.,**
LTD. (KR)

D695,815 S * 12/2013 Takahashi D16/240
D696,711 S * 12/2013 Takahashi D16/240
D697,544 S * 1/2014 Jang et al. D16/240
D701,553 S * 3/2014 Sanhui D16/239
D703,723 S * 4/2014 Soejima D16/239
D708,251 S * 7/2014 Chen et al. D16/240
D718,363 S * 11/2014 Yamauchi D16/239
D726,804 S * 4/2015 Voss D16/237

* cited by examiner

(**) Term: **14 Years**
(21) Appl. No.: **29/494,764**

Primary Examiner — Susan Bennett Hattan
Assistant Examiner — Leanne Was
(74) *Attorney, Agent, or Firm* — Cantor Colburn LLP

(22) Filed: **Jun. 24, 2014**

(30) **Foreign Application Priority Data**

Dec. 31, 2013 (KR) 30-2013-0066648

(51) **LOC (10) Cl.** **16-05**

(52) **U.S. Cl.**
USPC **D16/239**

(58) **Field of Classification Search**
USPC D16/219, 237, 238, 239, 240, 250;
362/4, 16-18; 396/4, 61, 155, 544
See application file for complete search history.

(56) **References Cited**

U.S. PATENT DOCUMENTS

D342,753 S * 12/1993 Haga D16/239
D422,293 S * 4/2000 Harata D16/239
D453,351 S * 2/2002 Kitera D16/240

(57) **CLAIM**

The ornamental design for a flash for camera, as shown and described.

DESCRIPTION

FIG. 1 is a perspective view of a flash for camera, showing my new design;
FIG. 2 is a front elevation view thereof;
FIG. 3 is a rear elevation view thereof;
FIG. 4 is a side elevation view thereof;
FIG. 5 is another side elevation view thereof;
FIG. 6 is a top plan view thereof; and,
FIG. 7 is a bottom plan view thereof.
The broken lines are for environmental purpose only and form no part of the claimed design.

1 Claim, 7 Drawing Sheets

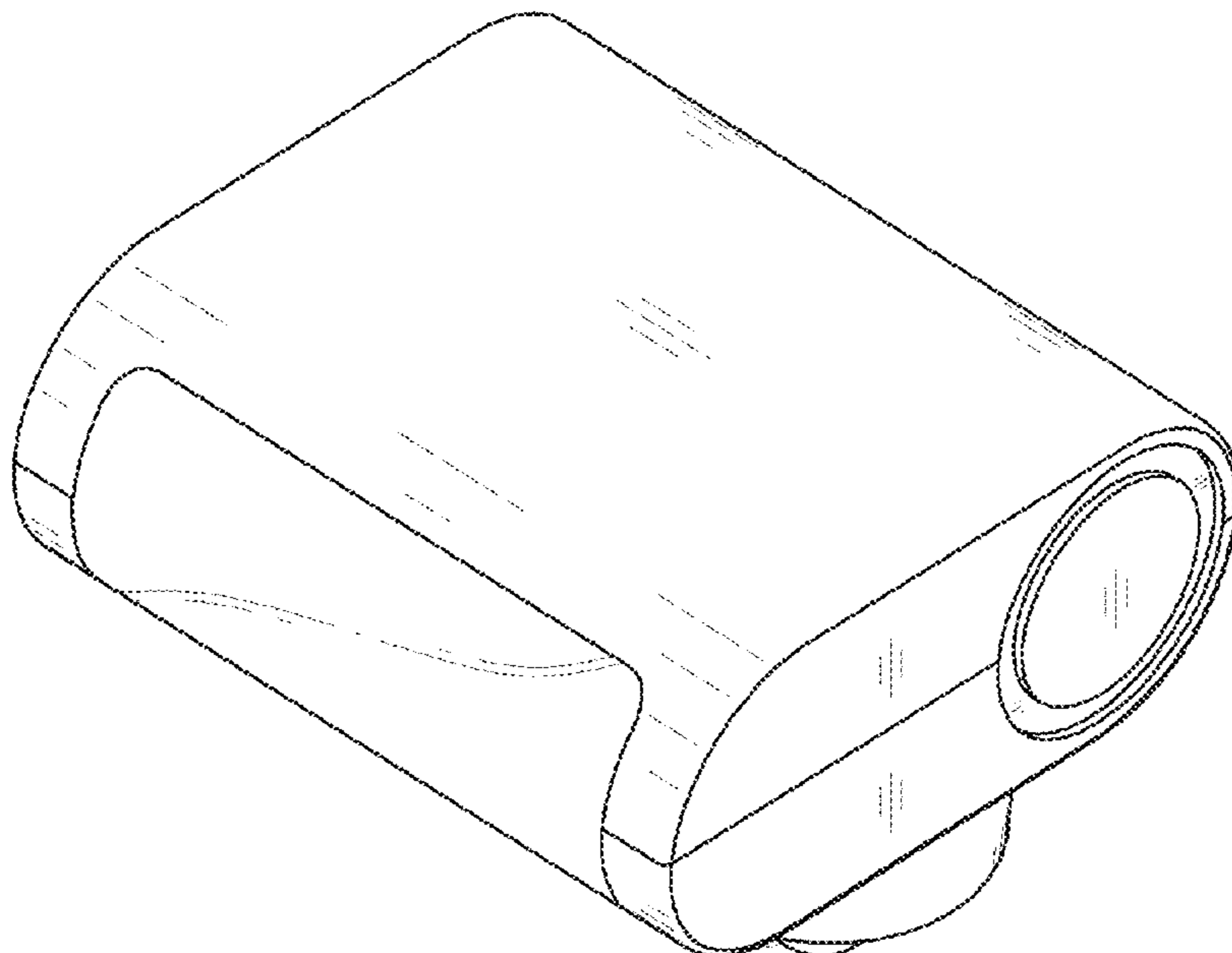


FIG. 1

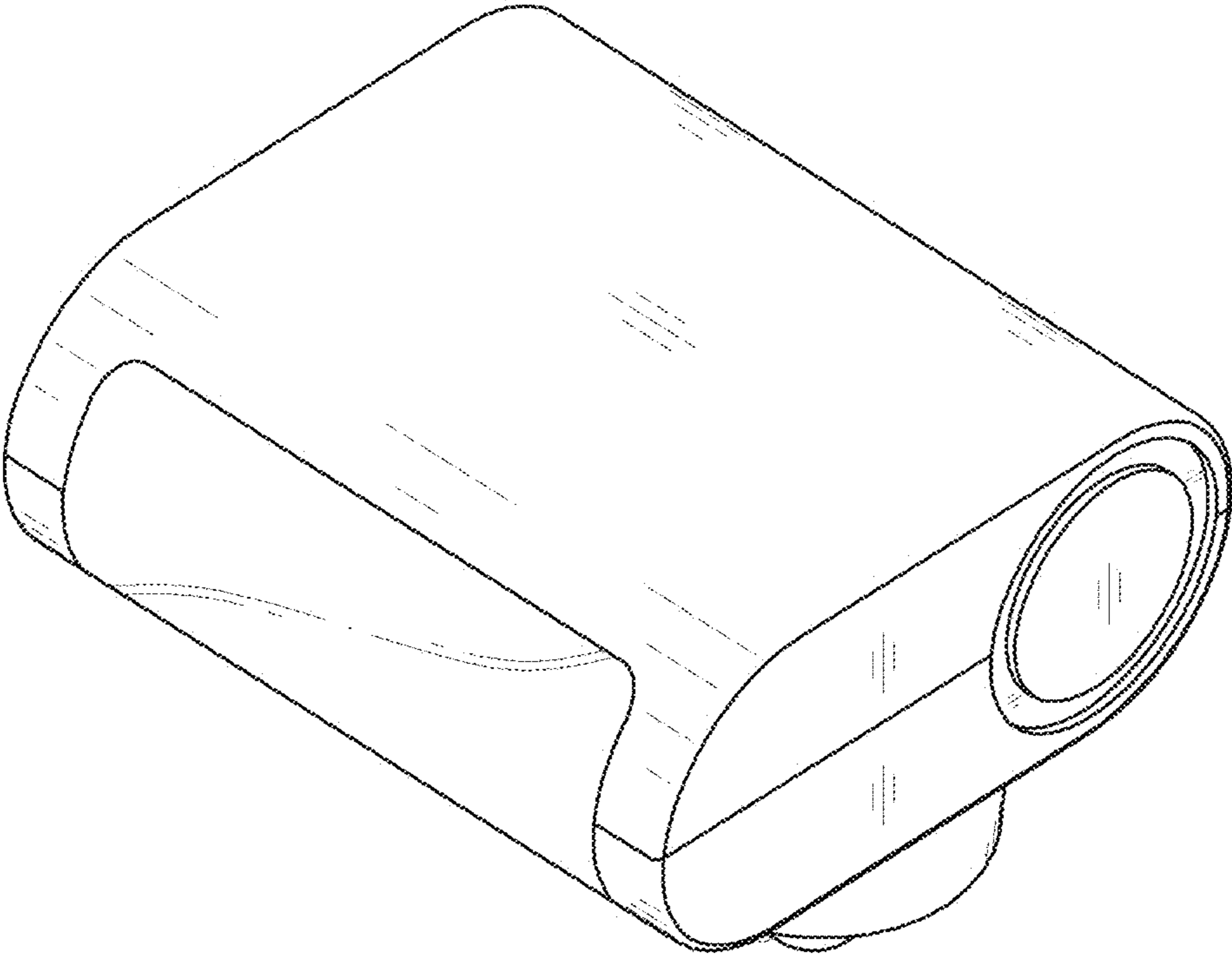


FIG. 2

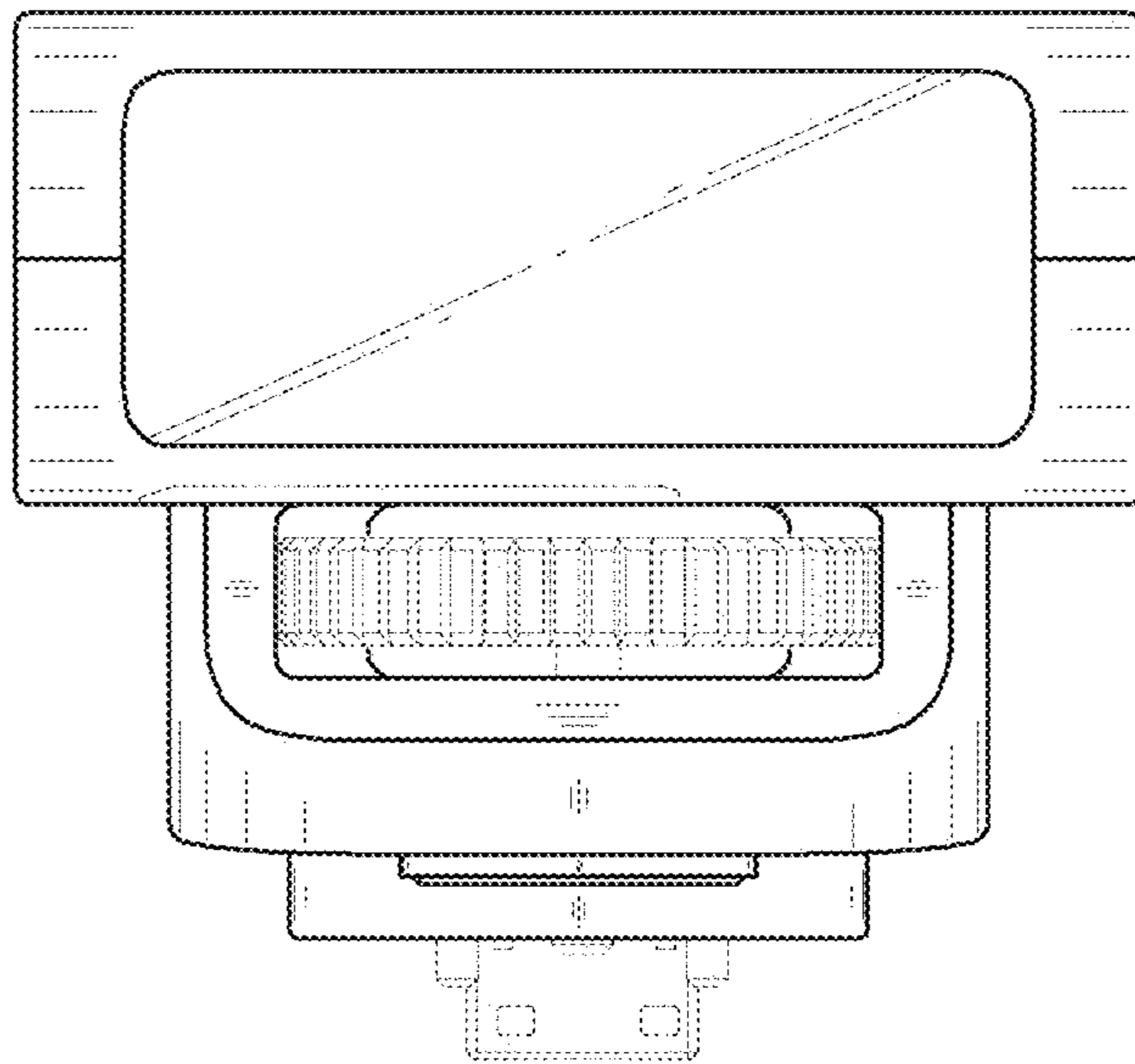


FIG. 3

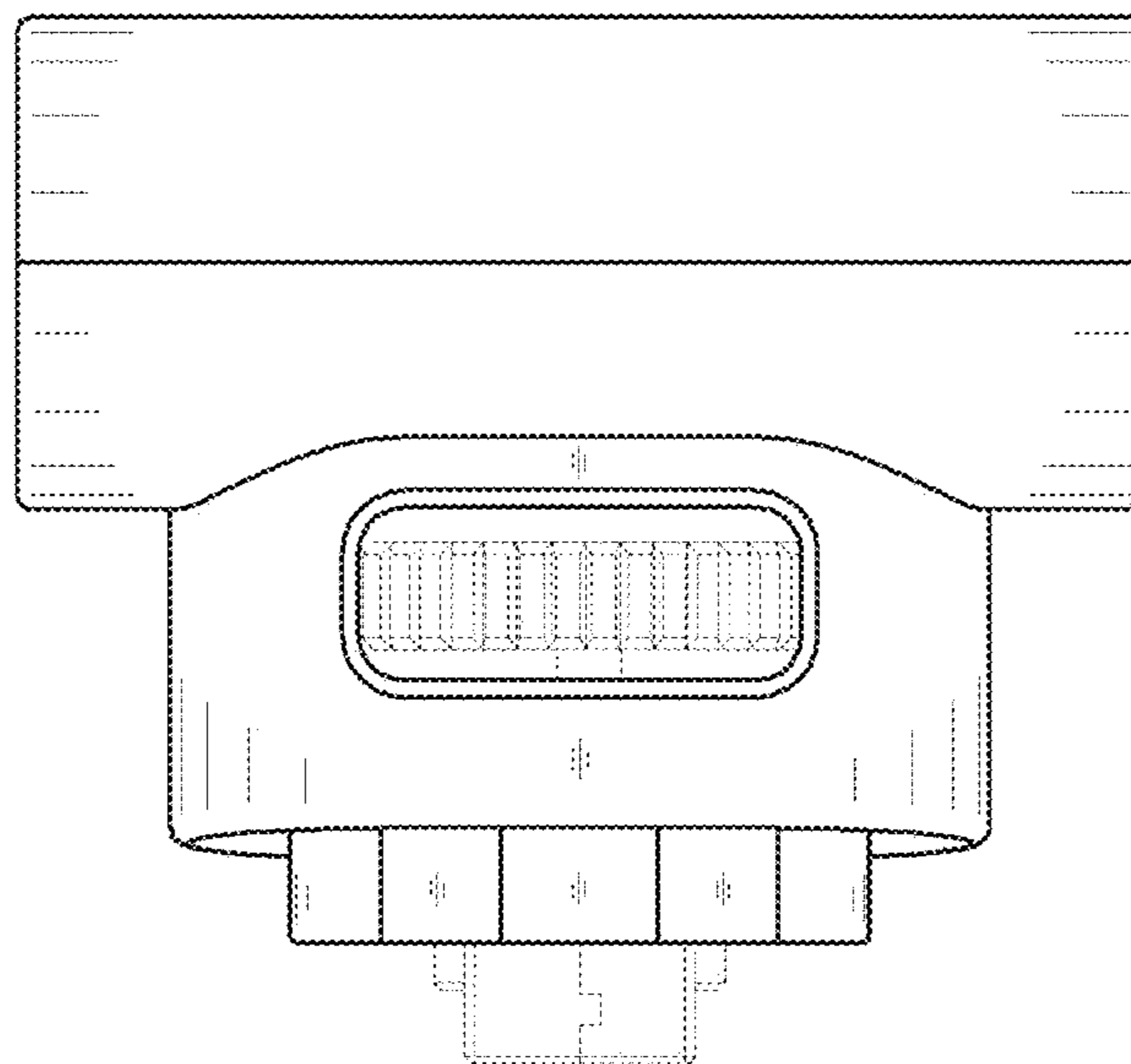


FIG. 4

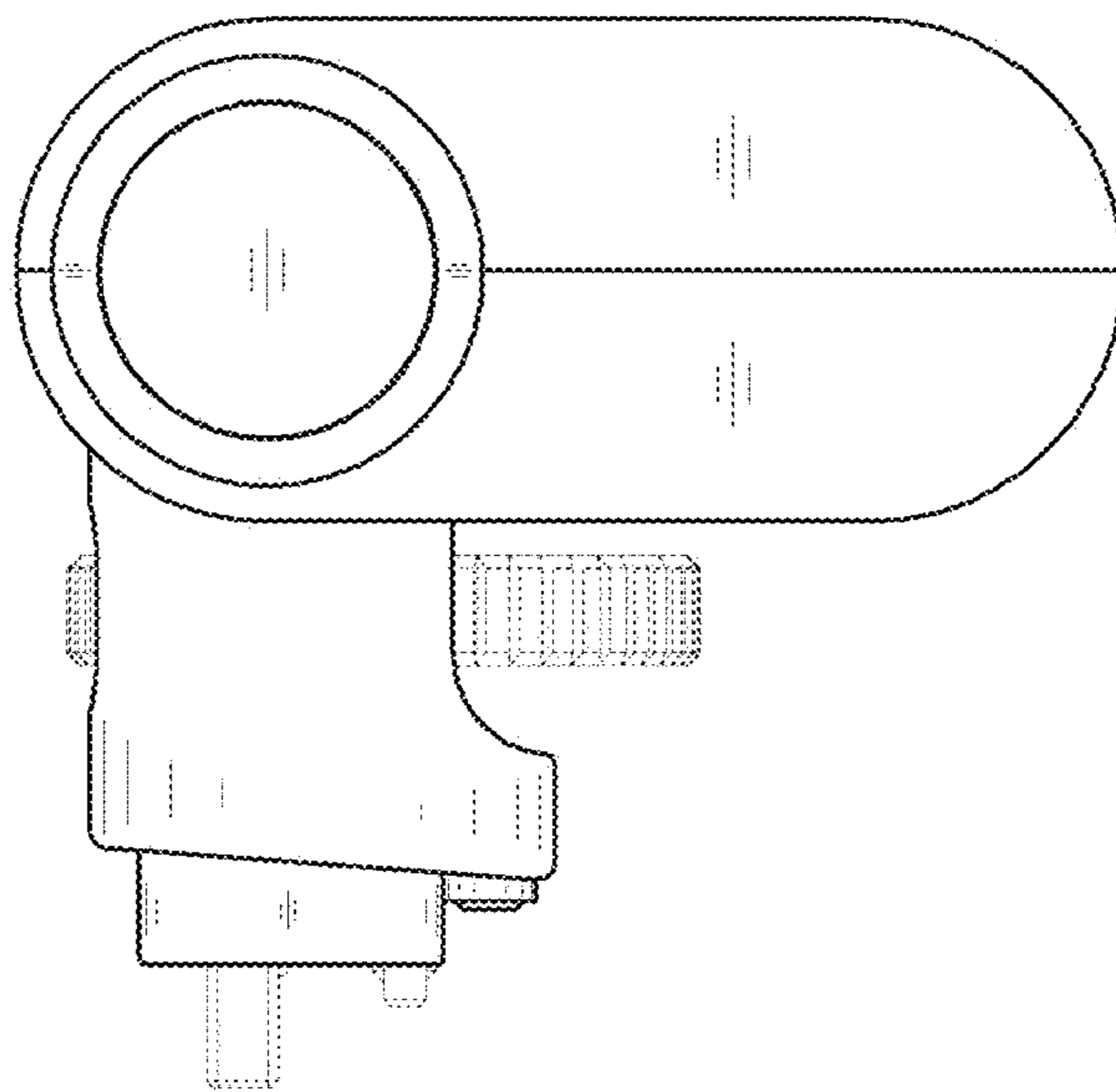


FIG. 5

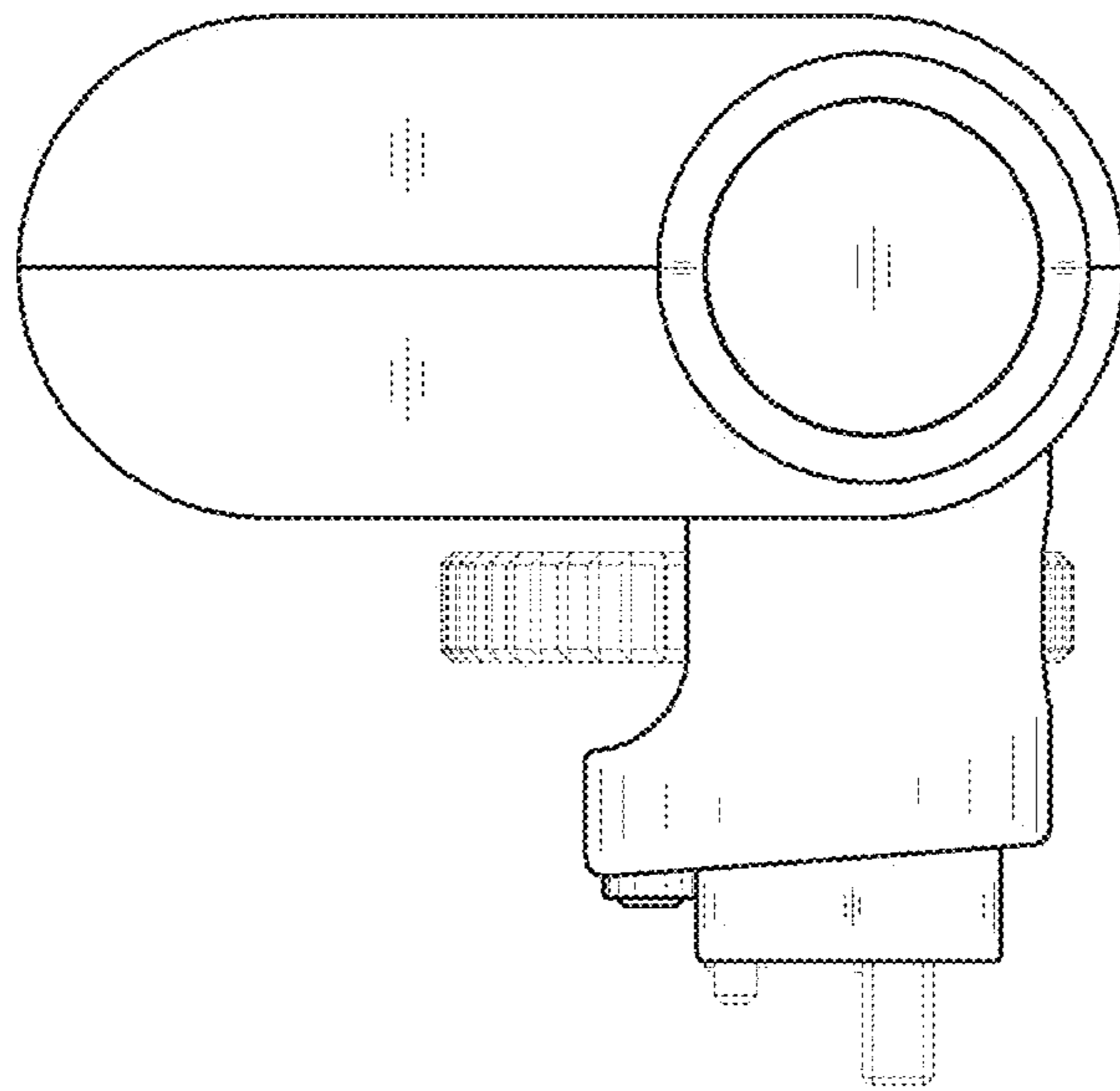


FIG. 6

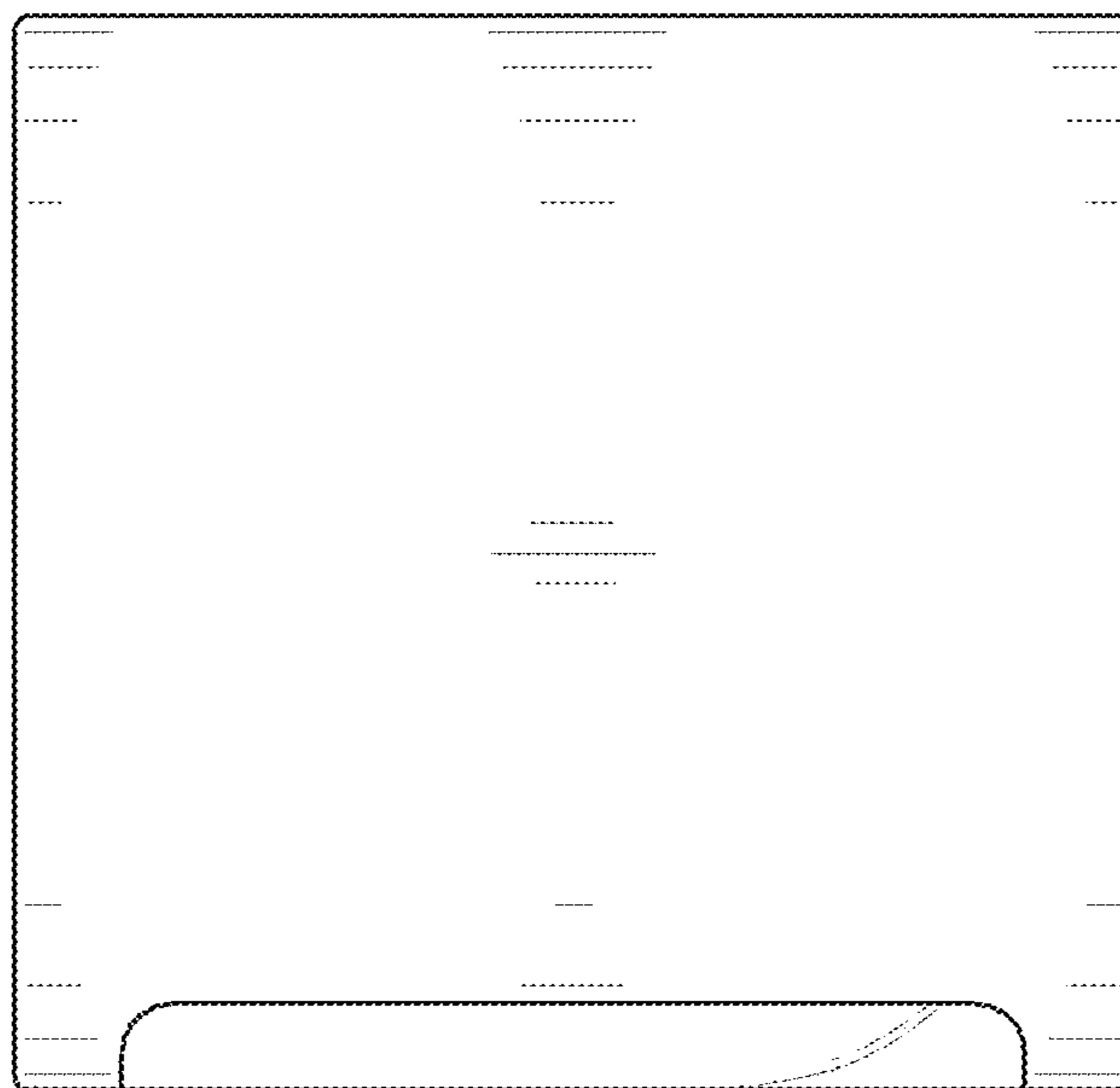


FIG. 7

