



US00D741394S

(12) **United States Design Patent**  
**Gioscia et al.**

(10) **Patent No.:** **US D741,394 S**

(45) **Date of Patent:** **\*\* Oct. 20, 2015**

(54) **CAMERA HOUSING**

(71) Applicant: **GoPro, Inc.**, San Mateo, CA (US)

(72) Inventors: **Richard Gioscia**, Santa Clara, CA (US);  
**Seuncheon Lee**, Cupertino, CA (US);  
**Derek Yap**, San Carlos, CA (US); **Evan L. Coons**, San Mateo, CA (US); **Joshua P. Davies**, Fremont, CA (US)

(73) Assignee: **GoPro, Inc.**, San Mateo, CA (US)

(\*\*) Term: **14 Years**

(21) Appl. No.: **29/516,747**

(22) Filed: **Feb. 5, 2015**

**Related U.S. Application Data**

(63) Continuation of application No. 29/491,394, filed on May 20, 2014, now Pat. No. Des. 725,169, which is a continuation of application No. 29/461,140, filed on Jul. 18, 2013, now Pat. No. Des. 710,921.

(51) **LOC (10) Cl.** ..... **16-05**

(52) **U.S. Cl.**  
USPC ..... **D16/219**; D16/200

(58) **Field of Classification Search**  
USPC ..... D3/263, 267, 268; D9/435, 445, 453;  
D16/200, 202–204, 208, 211, 218, 219,  
D16/237, 242; 248/176.1, 187.1; 348/81,  
348/360, 373–376, 835; 396/25, 27–29,  
396/419, 535, 539–541; 206/316.2  
CPC ..... G03B 15/03; G03B 17/02; G03B 17/04;  
G03B 17/08; G03B 17/56; G03B 19/04;  
H04N 5/2251; H04N 5/2252; H04N 5/2253;  
H04N 5/2254; A45C 11/38

See application file for complete search history.

(56) **References Cited**

U.S. PATENT DOCUMENTS

D321,704 S	11/1991	Leonard et al.	
D367,283 S	2/1996	Lyon et al.	
D419,296 S	1/2000	Shinano	
D425,092 S *	5/2000	Eto et al. ....	D16/208
D453,177 S	1/2002	Uehara	
D540,669 S *	4/2007	George et al. ....	D9/435
D550,742 S	9/2007	Ishii	
D616,479 S	5/2010	Ganahl, Jr.	
D621,432 S	8/2010	Yim	
D622,591 S *	8/2010	Biesecker et al. ....	D9/435
D642,054 S *	7/2011	Samartgis ....	D9/435
8,014,656 B2	9/2011	Woodman	
D646,313 S	10/2011	Woodman	
D647,554 S	10/2011	Yim	
D657,808 S	4/2012	Woodman	
D657,811 S	4/2012	Woodman	
D674,428 S	1/2013	Woodman	

(Continued)

*Primary Examiner* — Adir Aronovich

*Assistant Examiner* — Ramzi Almatrahi

(74) *Attorney, Agent, or Firm* — Fenwick & West LLP

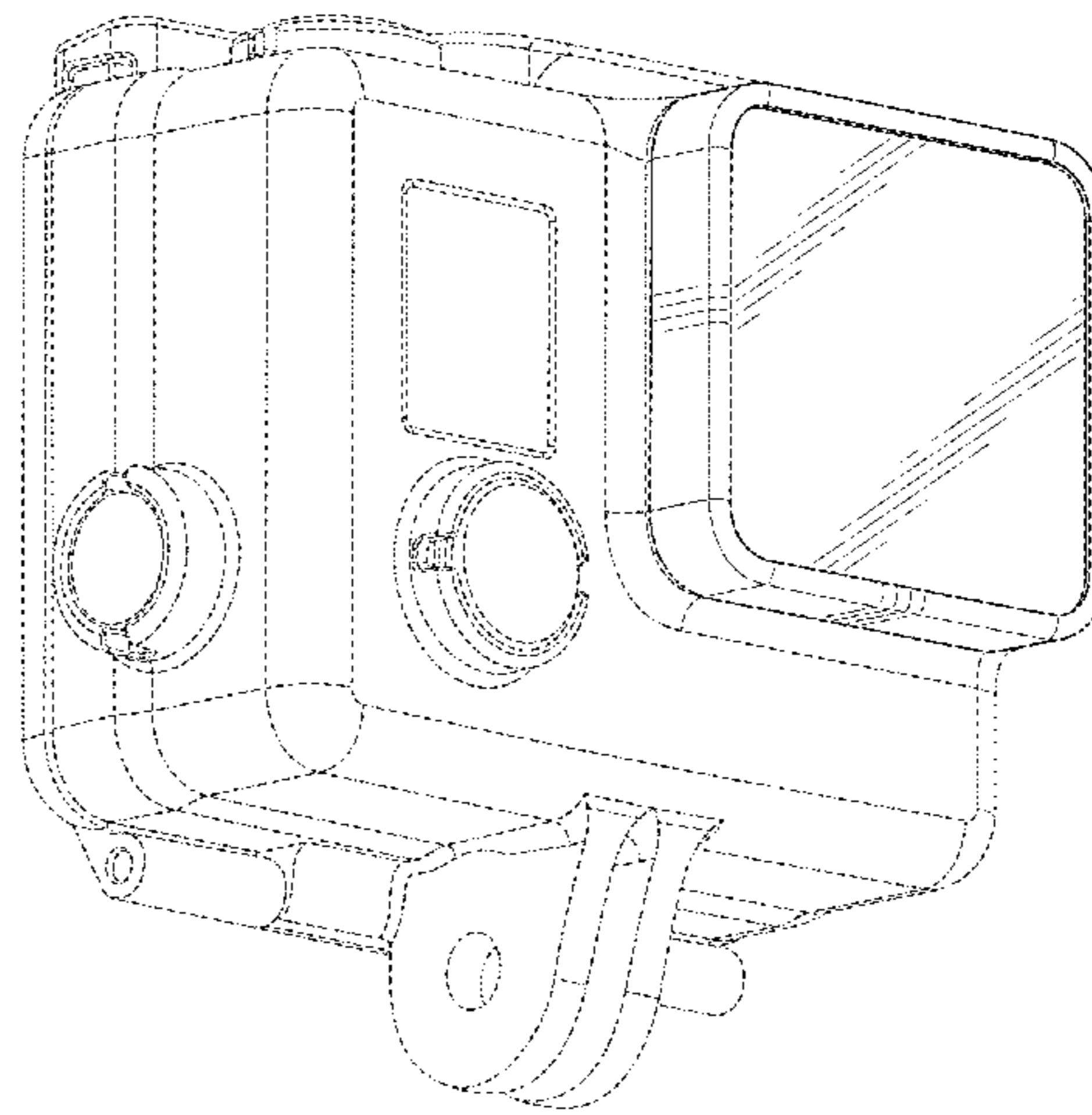
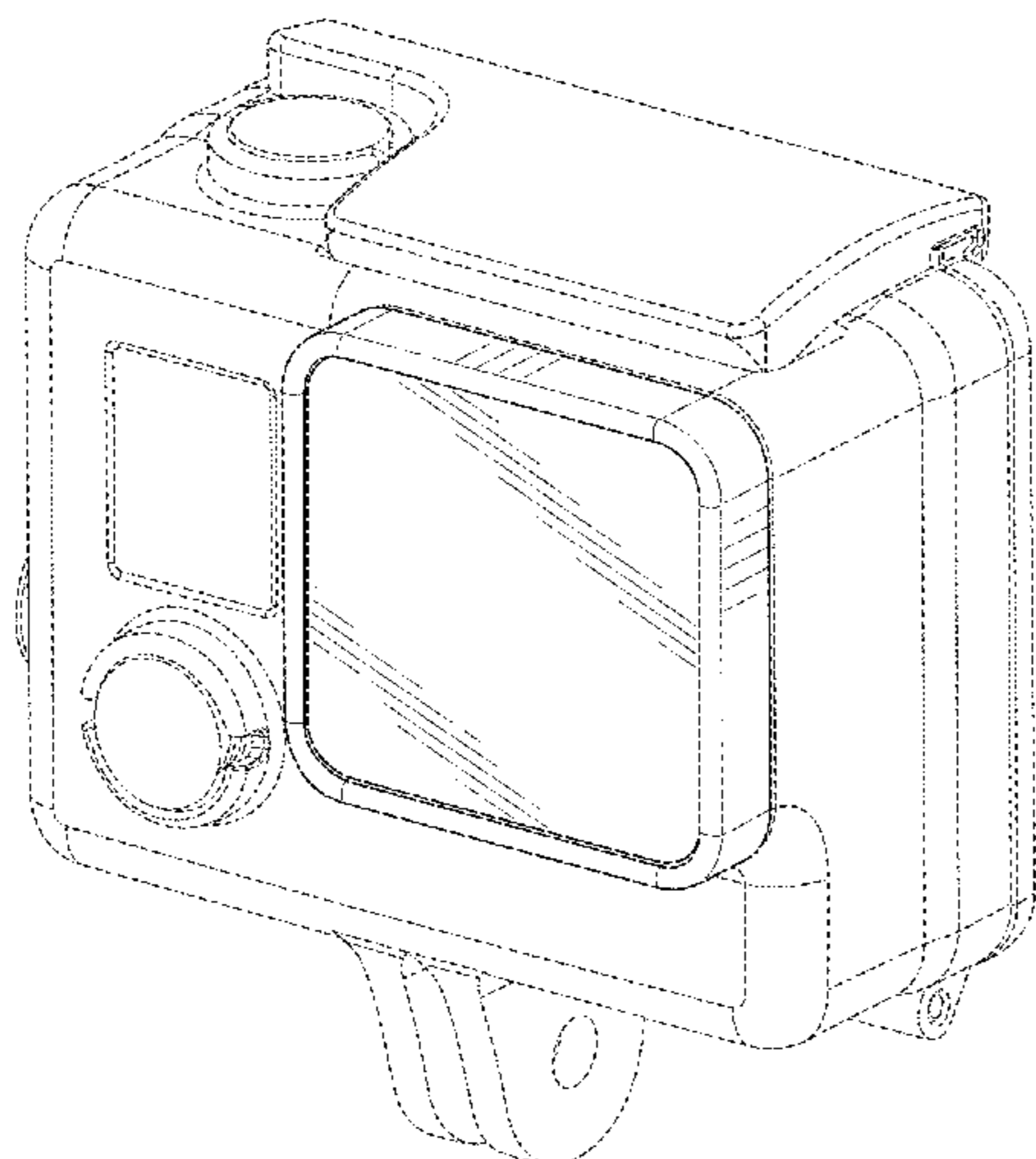
(57) **CLAIM**

The ornamental design for a camera housing, as shown and described.

**DESCRIPTION**

FIG. 1 is a front, top, and right side perspective view of a camera housing showing our new design;  
FIG. 2 is a front, bottom and left side perspective view thereof;  
FIG. 3 is a back, bottom and right side perspective view thereof;  
FIG. 4 is a front elevational view thereof;  
FIG. 5 is a left side elevational view thereof;  
FIG. 6 is a right side elevational view thereof;  
FIG. 7 is a top plan view thereof; and,  
FIG. 8 is a bottom plan view thereof.  
The broken lines in the drawings showing portions of the camera housing are included for the purpose of illustrating environmental structure and form no part of the claimed design.

**1 Claim, 8 Drawing Sheets**



(56)

**References Cited**

U.S. PATENT DOCUMENTS

D674,429 S 1/2013 Woodman  
8,544,643 B2 10/2013 Yim  
8,596,890 B2 12/2013 Yim et al.  
D699,947 S 2/2014 To et al.  
D700,778 S 3/2014 To et al.  
D702,276 S 4/2014 Woodman  
D702,277 S 4/2014 Woodman

D702,747 S 4/2014 Woodman et al.  
D702,754 S \* 4/2014 Bould et al. .... D16/237  
D710,922 S \* 8/2014 Gioscia et al. .... D16/200  
8,870,475 B1 \* 10/2014 Bennett et al. .... 396/419  
9,004,783 B1 \* 4/2015 Woodman et al. .... 396/419  
D733,787 S \* 7/2015 Baker et al. .... D16/237  
D733,788 S \* 7/2015 Baker et al. .... D16/237  
2003/0133206 A1 \* 7/2003 Belefant ..... 359/885  
2007/0071423 A1 \* 3/2007 Fantone et al. .... 396/27  
2009/0317069 A1 \* 12/2009 Yim ..... 396/27

\* cited by examiner

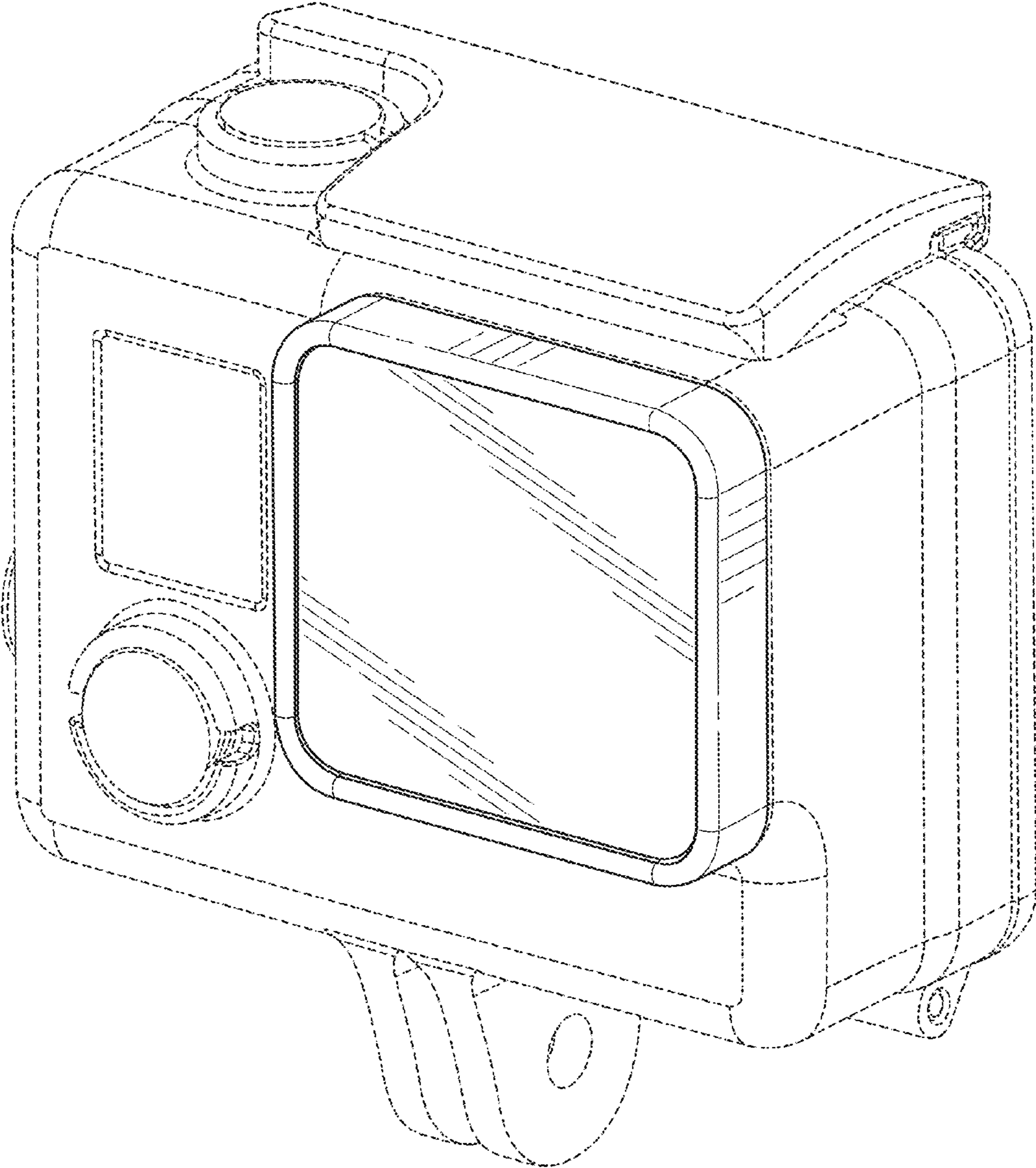


FIG. 1

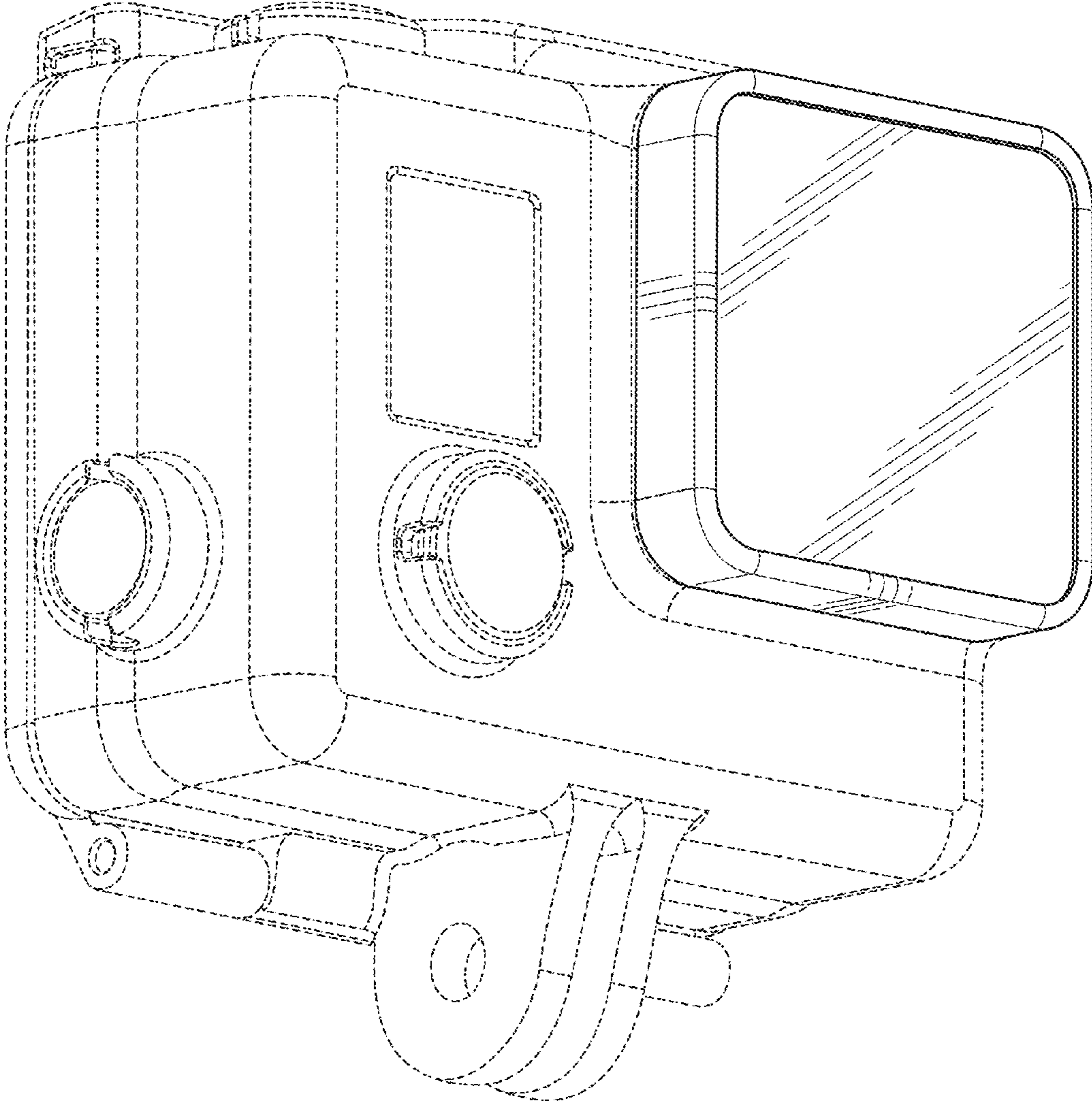


FIG. 2

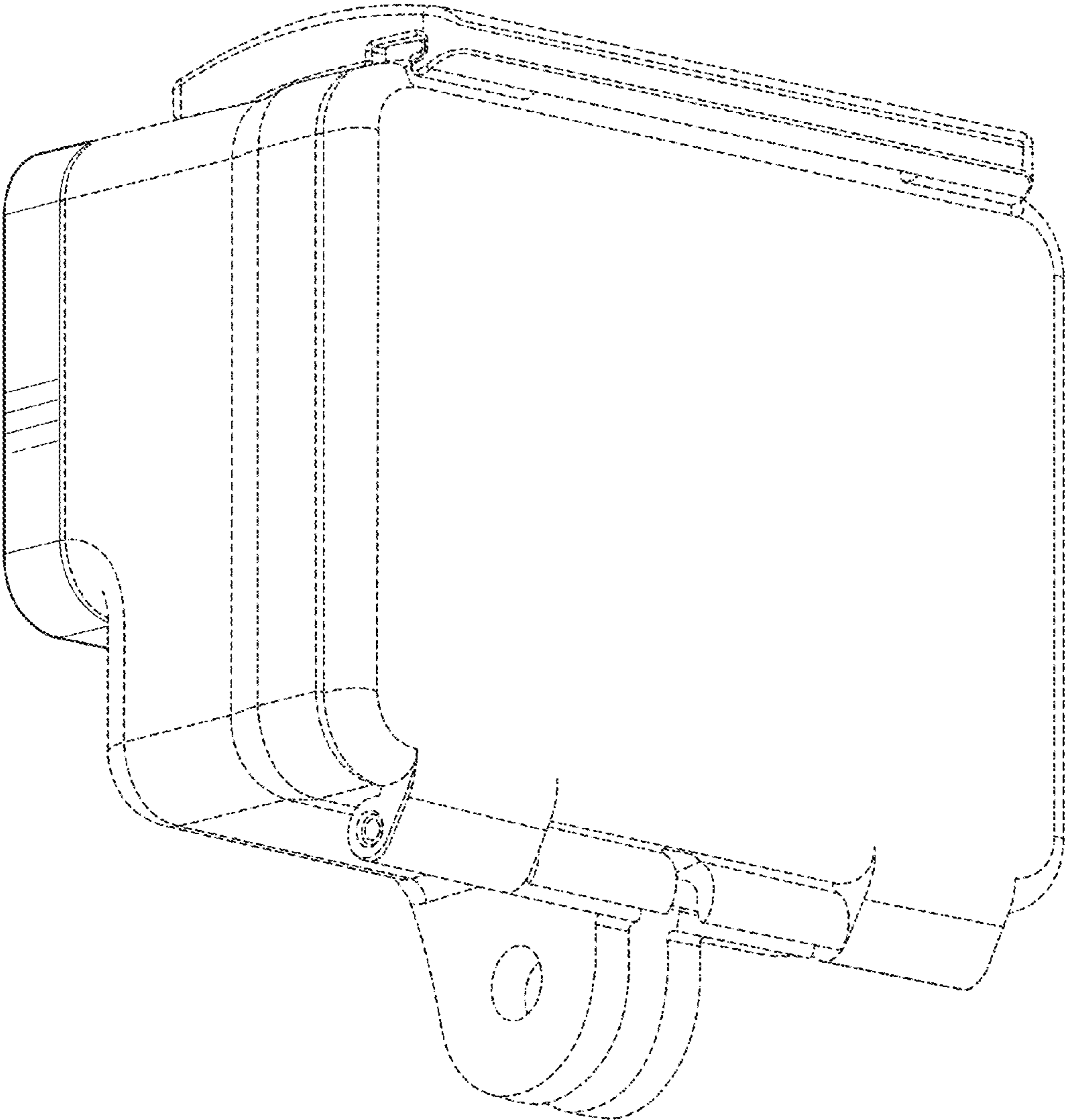


FIG. 3

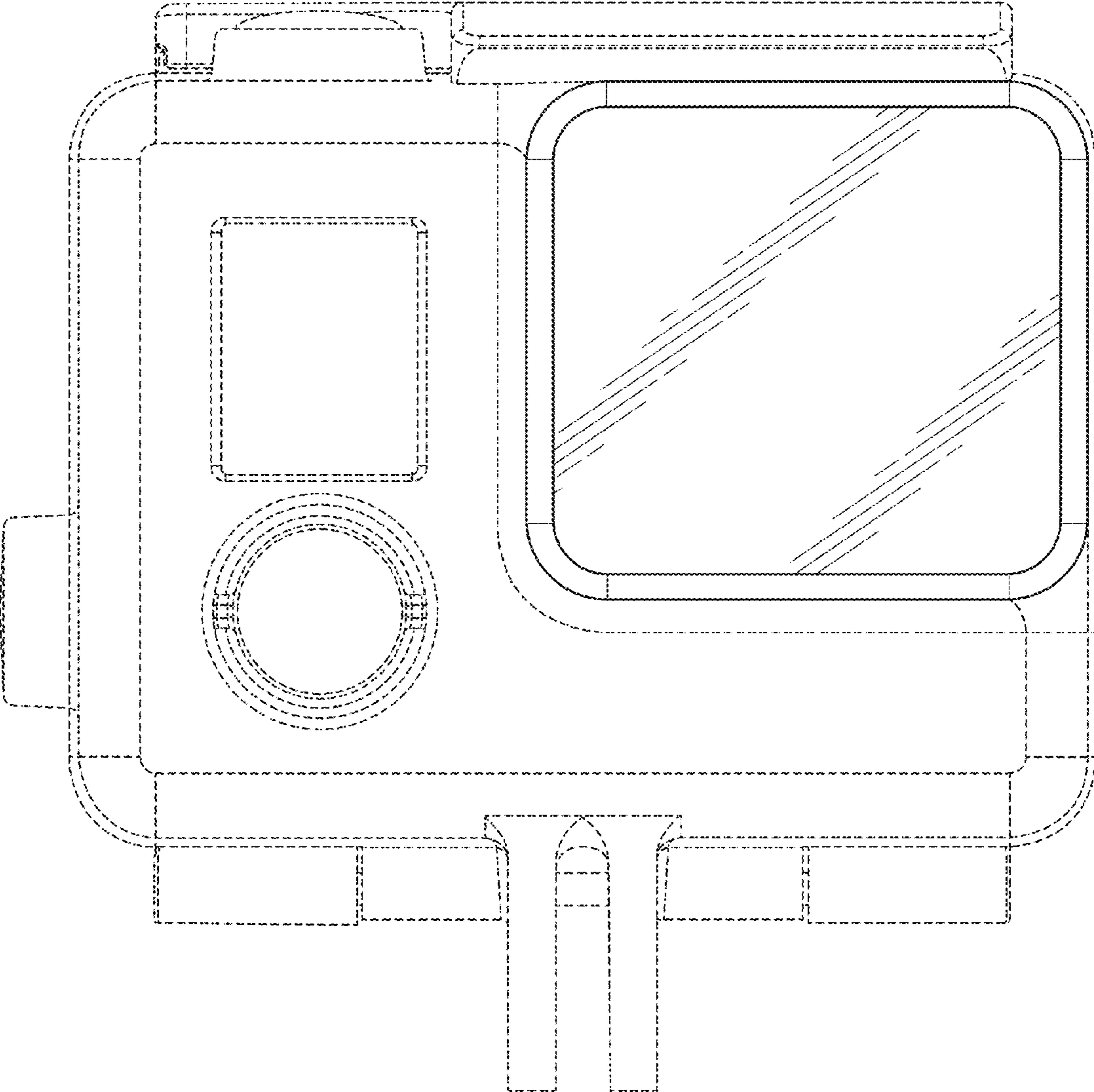


FIG. 4

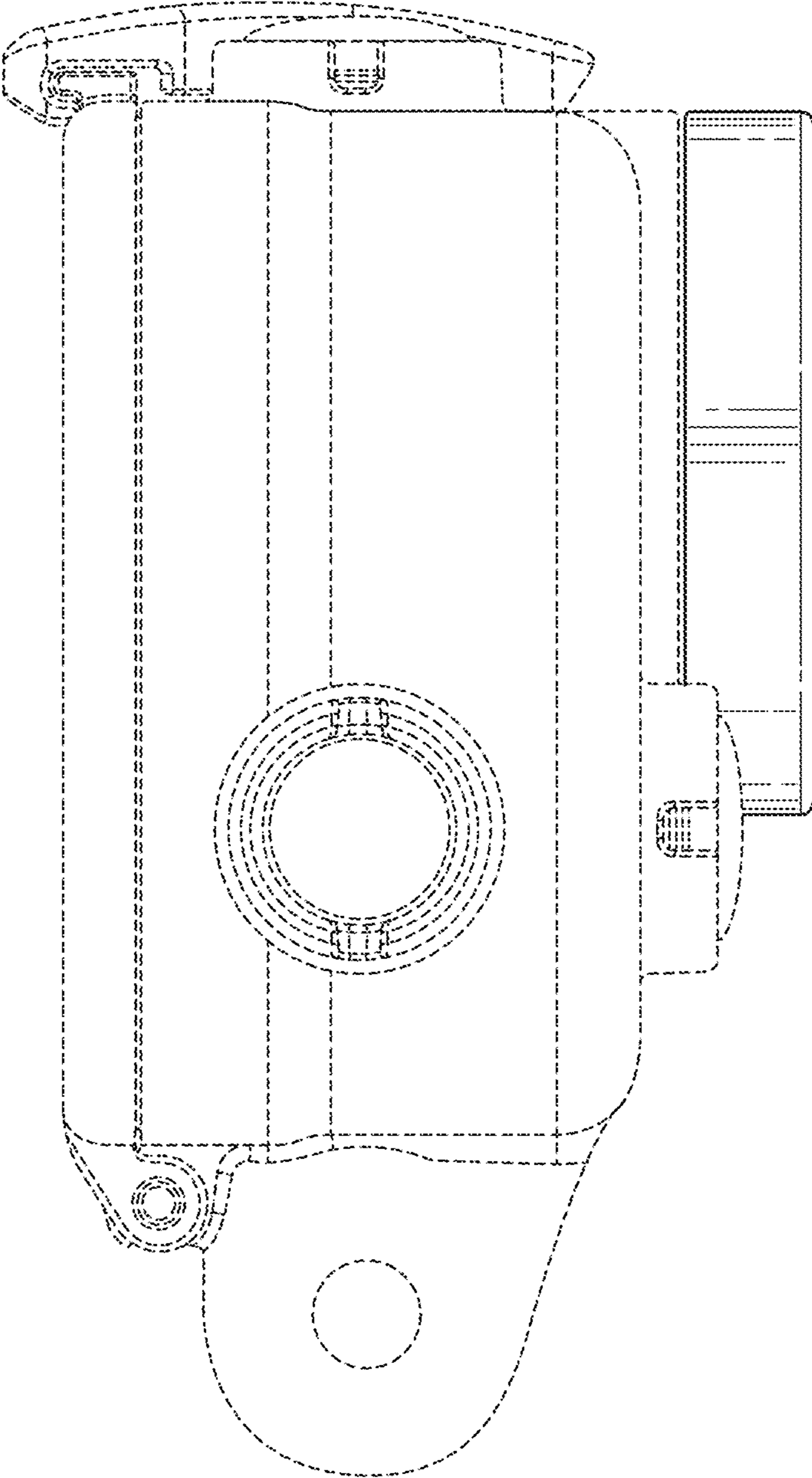


FIG. 5

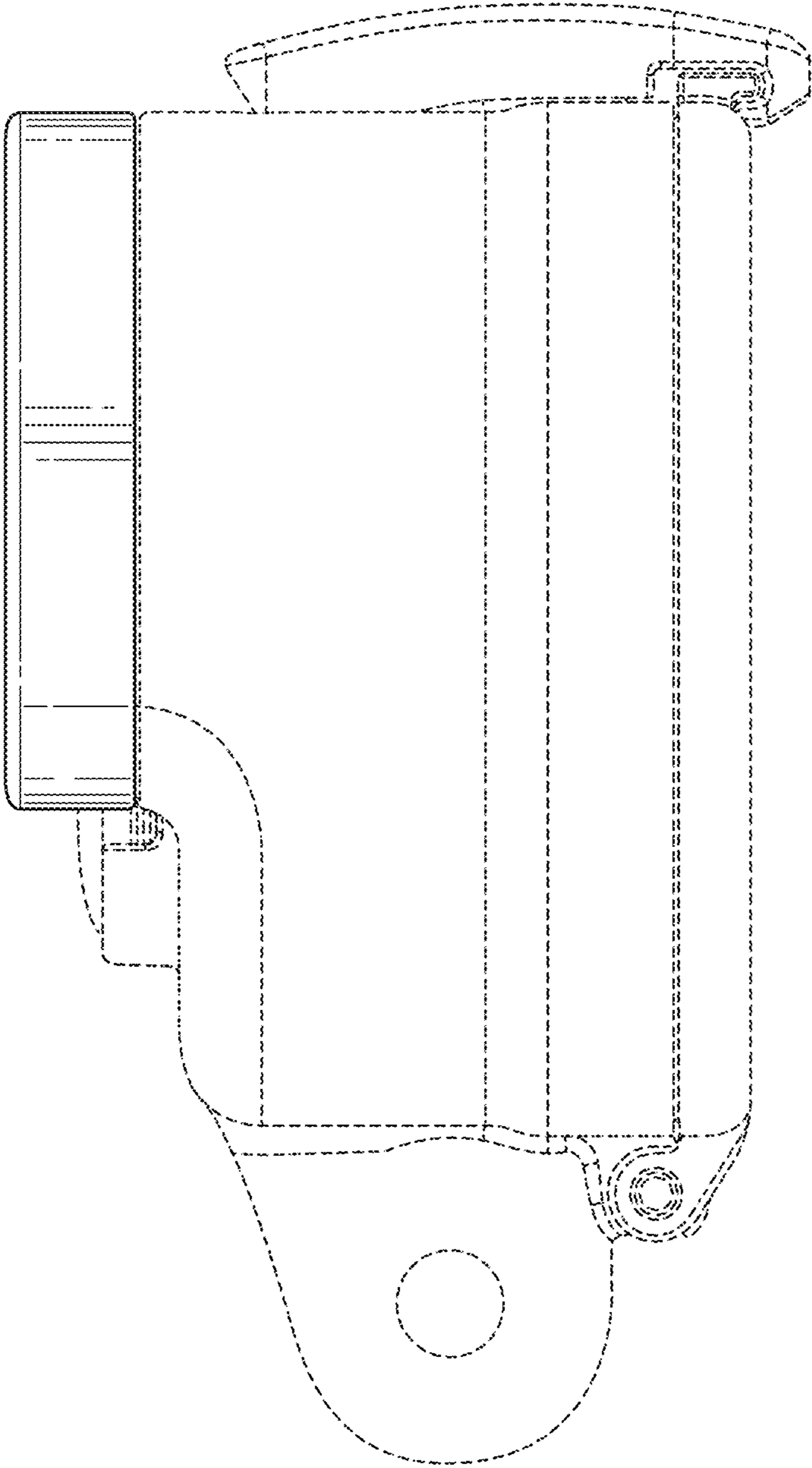


FIG. 6



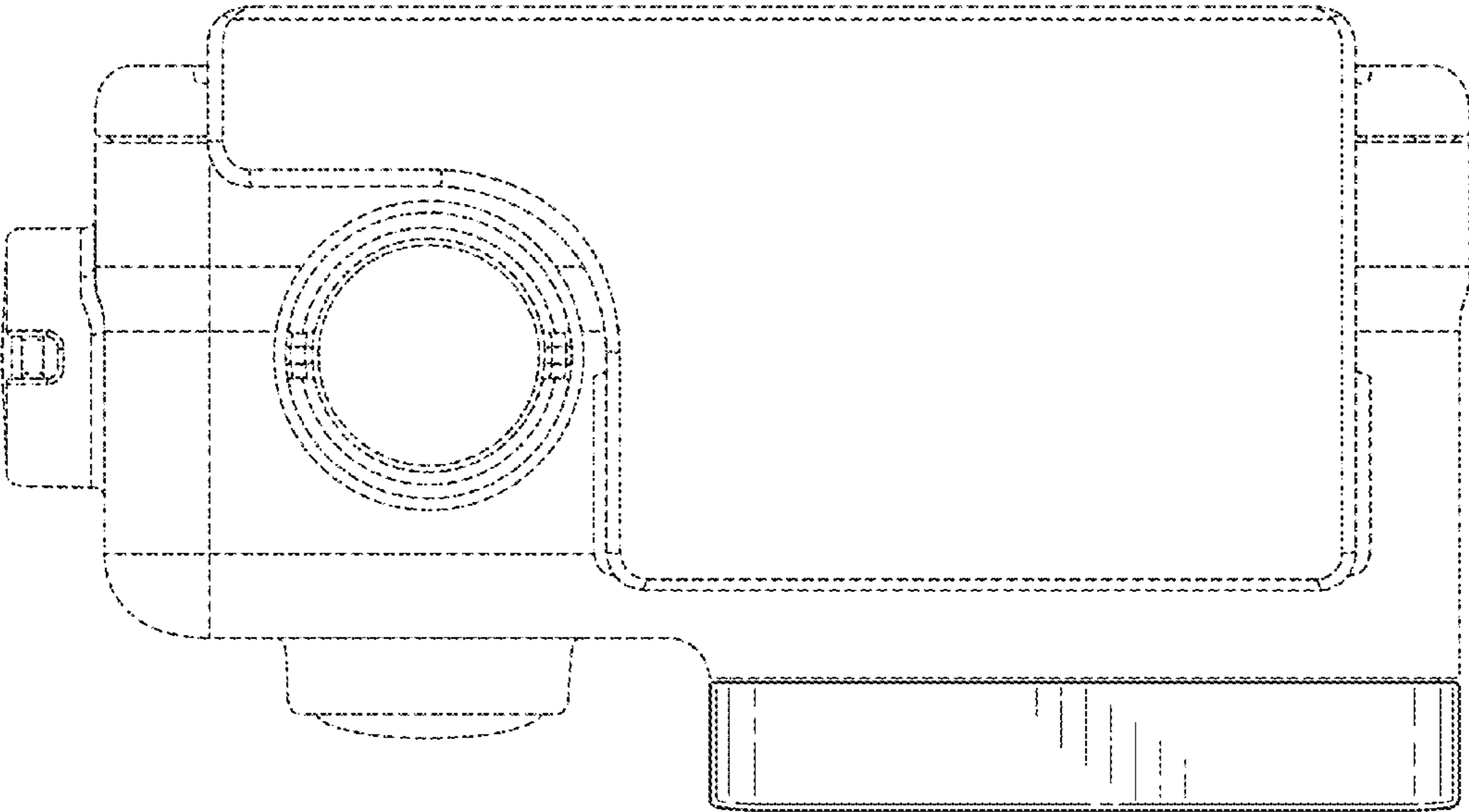


FIG. 7

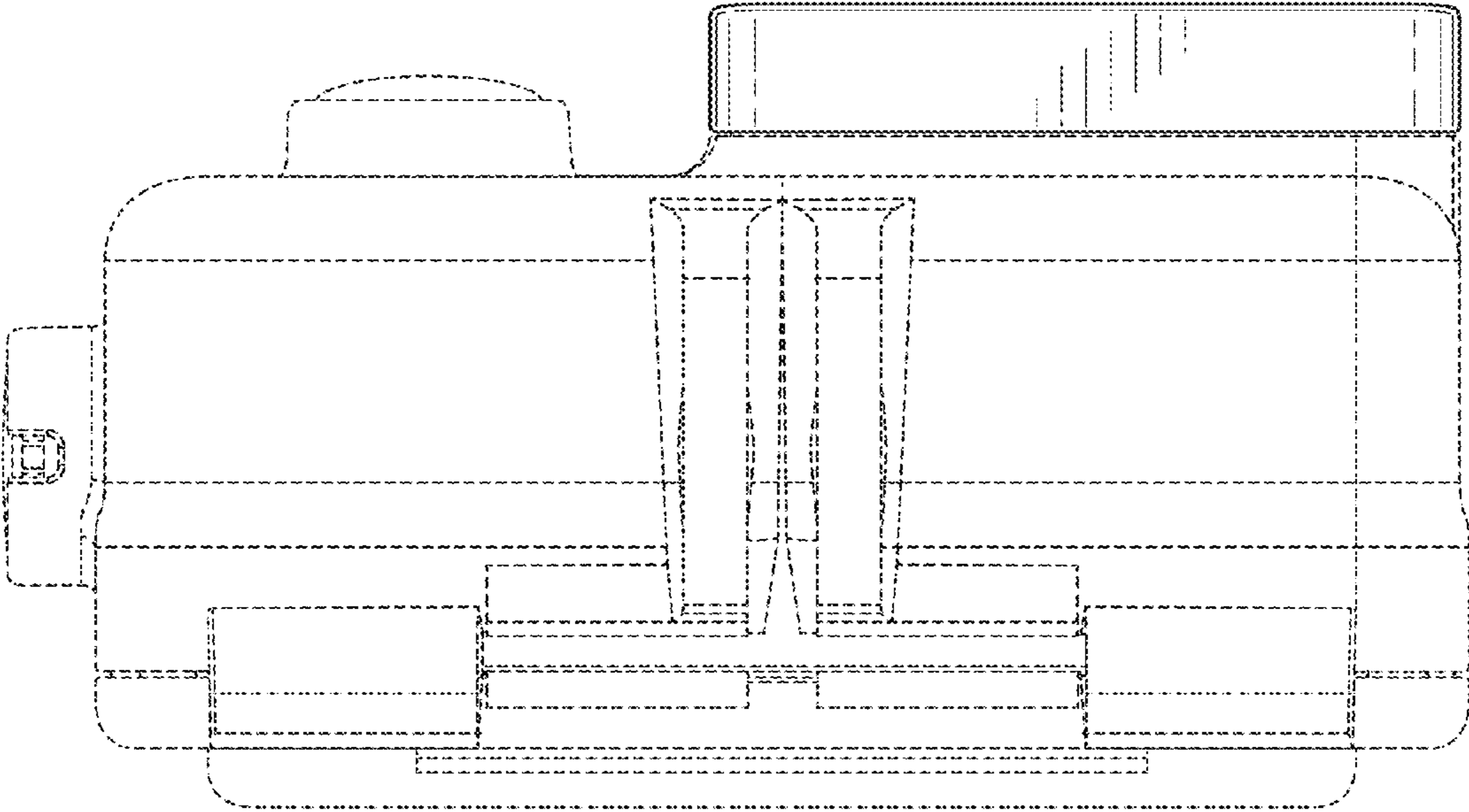


FIG. 8