



US00D741393S

(12) **United States Design Patent**  
**Ham**

(10) **Patent No.:** **US D741,393 S**

(45) **Date of Patent:** **\*\* Oct. 20, 2015**

(54) **CAMERA**

(71) Applicant: **Samsung Electronics Co., Ltd.,**  
Suwon-si, Gyeonggi-do (KR)

(72) Inventor: **Sun Woong Ham, Seoul (KR)**

(73) Assignee: **Samsung Electronics Co., Ltd.,**  
Suwon-Si (KR)

(\*\*) Term: **14 Years**

(21) Appl. No.: **29/486,247**

(22) Filed: **Mar. 27, 2014**

(30) **Foreign Application Priority Data**

Oct. 1, 2013 (KR) ..... 30-2013-0049793

(51) **LOC (10) Cl.** ..... **16-05**

(52) **U.S. Cl.**  
USPC ..... **D16/219**

(58) **Field of Classification Search**

USPC ..... D16/200, 202–205, 208, 209, 211, 212,  
D16/218, 219, 239; 348/373–376; 396/174,  
396/176–178, 354, 535, 538–541  
CPC ..... G03B 17/02; G03B 19/04; G03B 17/56;  
G03B 17/04; G03B 15/03; G03B 15/05;  
H04N 5/2251; H04N 5/2252; H04N 5/2253;  
H04N 5/2254; H04N 2007/145; H04N 7/141;  
H04N 7/142; H04N 7/147; H04N 7/148;  
H04N 7/15; H04N 7/152  
See application file for complete search history.

(56) **References Cited**

**U.S. PATENT DOCUMENTS**

D409,642 S \* 5/1999 Chin ..... D16/218  
6,349,180 B1 \* 2/2002 Jabbour et al. .... 396/535

D486,168 S \* 2/2004 Nakamura ..... D16/202  
D491,597 S \* 6/2004 Haga ..... D16/219  
D653,275 S \* 1/2012 Sakai ..... D16/202  
D680,149 S \* 4/2013 Nakajima ..... D16/219  
D682,337 S \* 5/2013 Umehara et al. .... D16/202  
D682,338 S \* 5/2013 Uemachi ..... D16/202  
D695,804 S \* 12/2013 Nohara et al. .... D16/202  
D710,923 S \* 8/2014 Watanabe ..... D16/202  
D719,599 S \* 12/2014 Fujita ..... D16/202

\* cited by examiner

*Primary Examiner* — Adir Aronovich

*Assistant Examiner* — Ramzi Almatrahi

(74) *Attorney, Agent, or Firm* — Ladas & Parry LLP

(57) **CLAIM**

The ornamental design for a camera, as shown and described.

**DESCRIPTION**

FIG. 1 is a front perspective view of a camera showing my new design;  
FIG. 2 is a front elevation view thereof;  
FIG. 3 is a rear elevation view thereof;  
FIG. 4 is a left side elevation view thereof;  
FIG. 5 is a right side elevation view thereof;  
FIG. 6 is a top plan view thereof;  
FIG. 7 is a bottom plan view thereof; and,  
FIG. 8 is an enlarged view of the encircled portion as shown in FIG. 7.

The broken lines illustrating portions of the camera are for environmental purposes only and form no part of the claimed design. The dot-dash broken lines define boundaries of the claimed design and form no part thereof.

The dot-dash broken lines encircling portions of the claimed design that are illustrated in enlargements form no part of the claimed design.

**1 Claim, 6 Drawing Sheets**

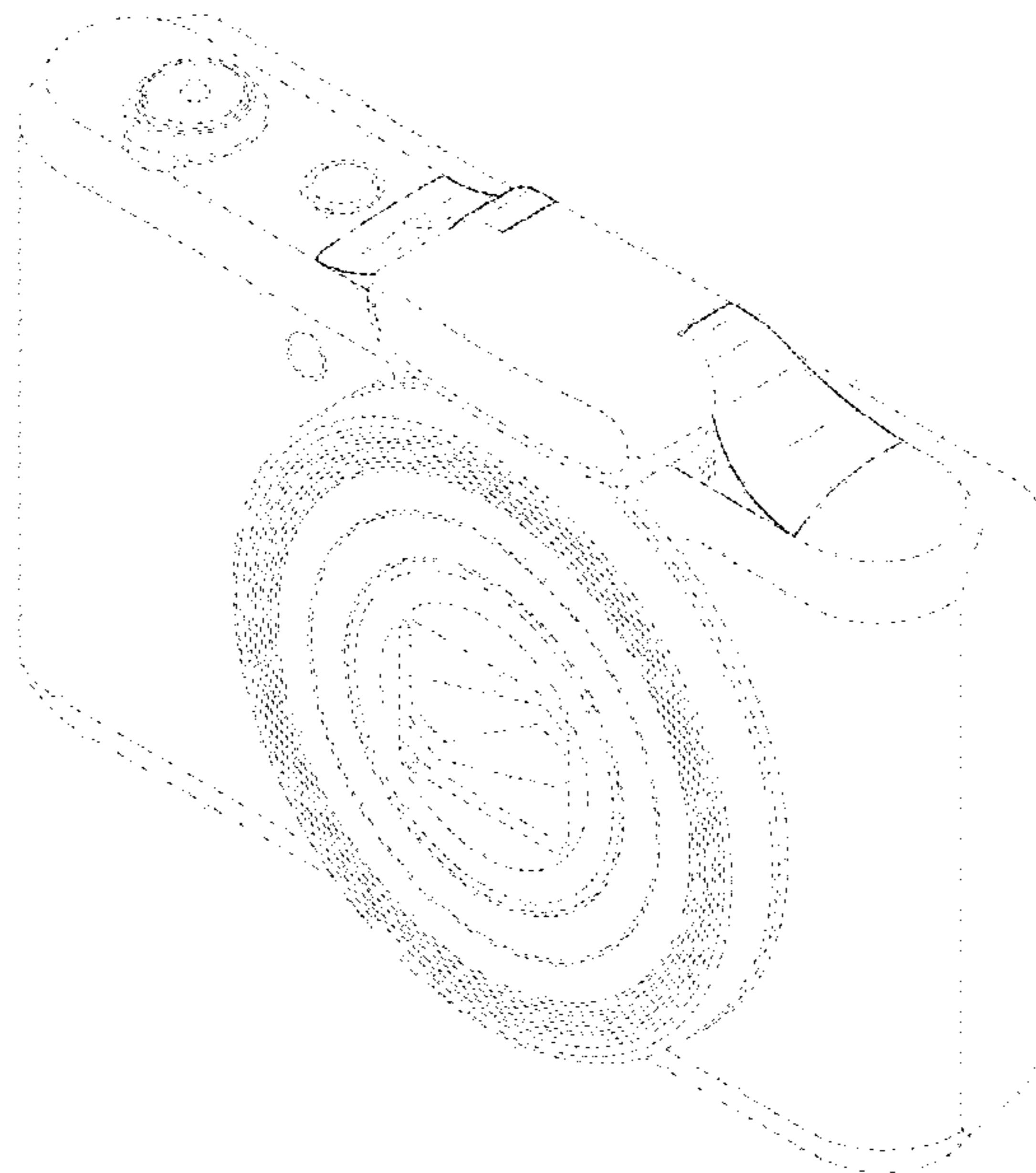


FIG.1

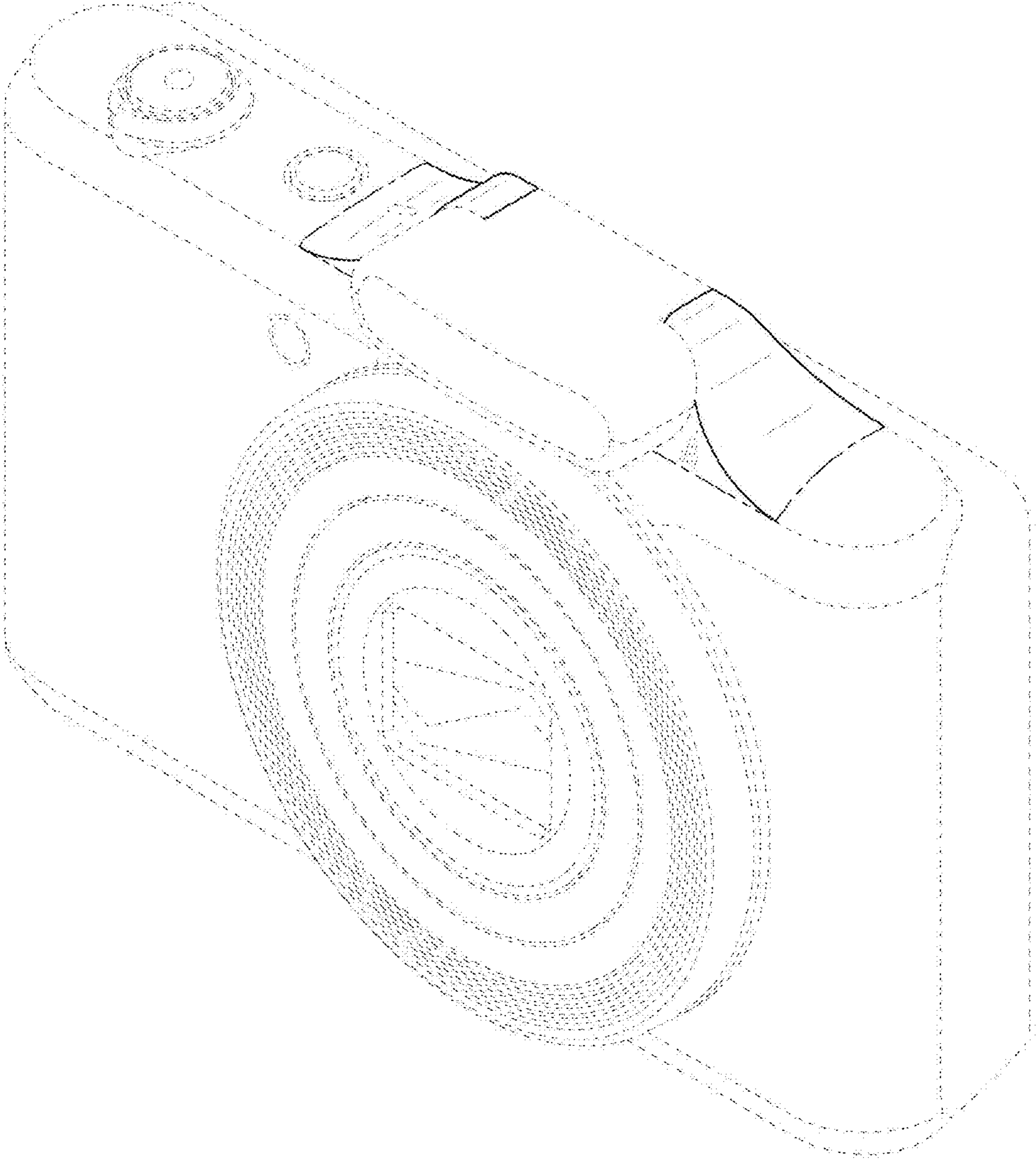


FIG.2

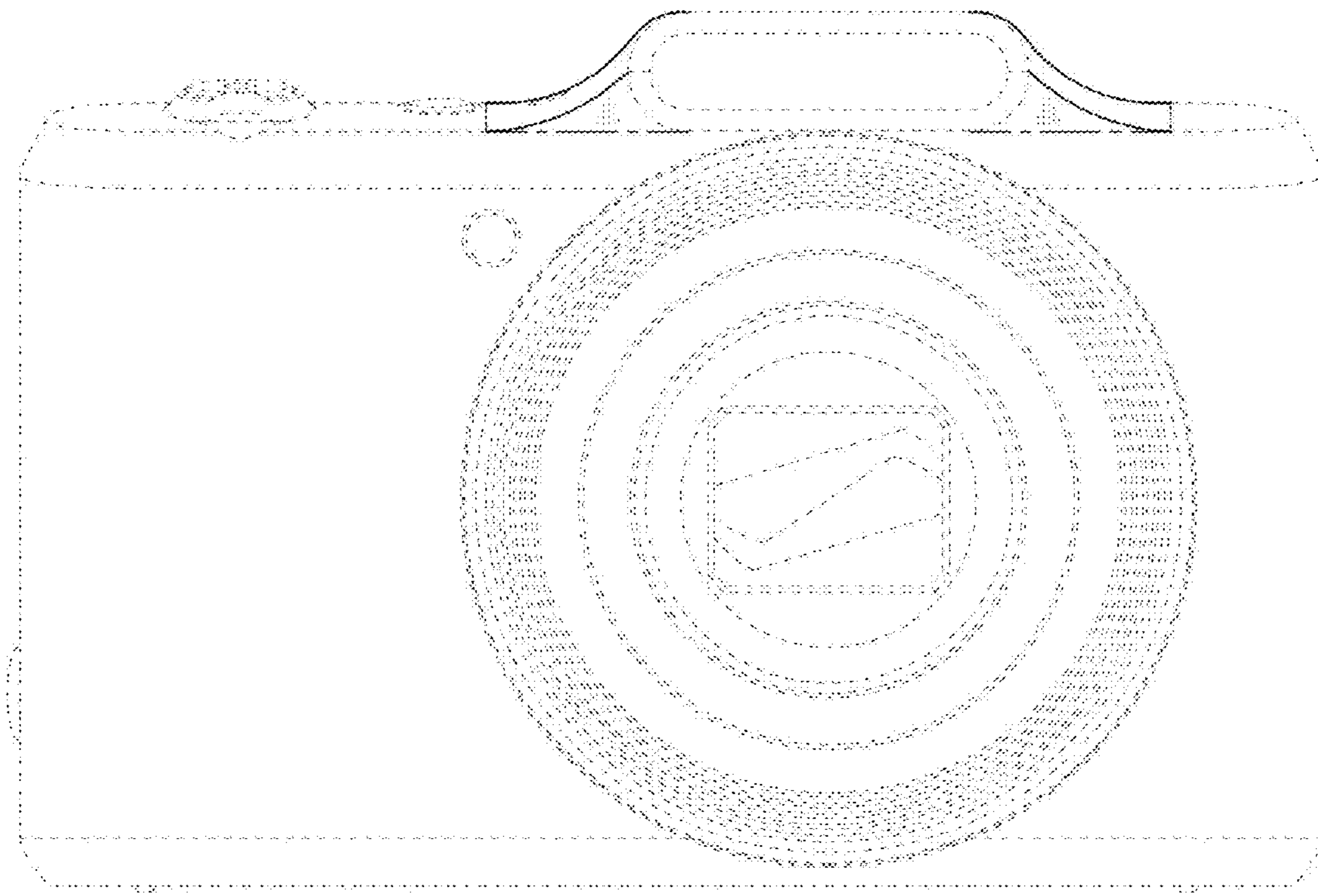


FIG.3

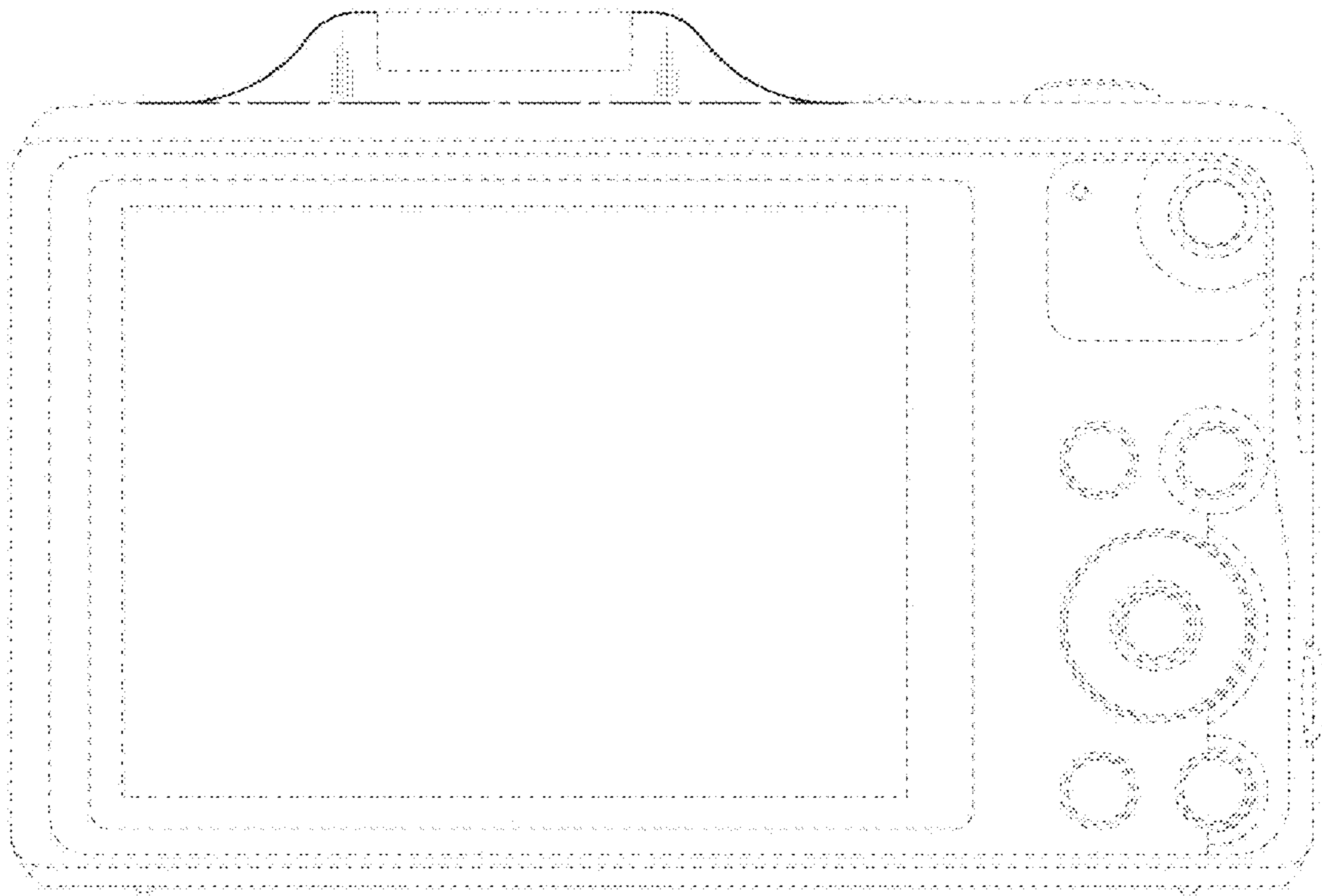


FIG.4

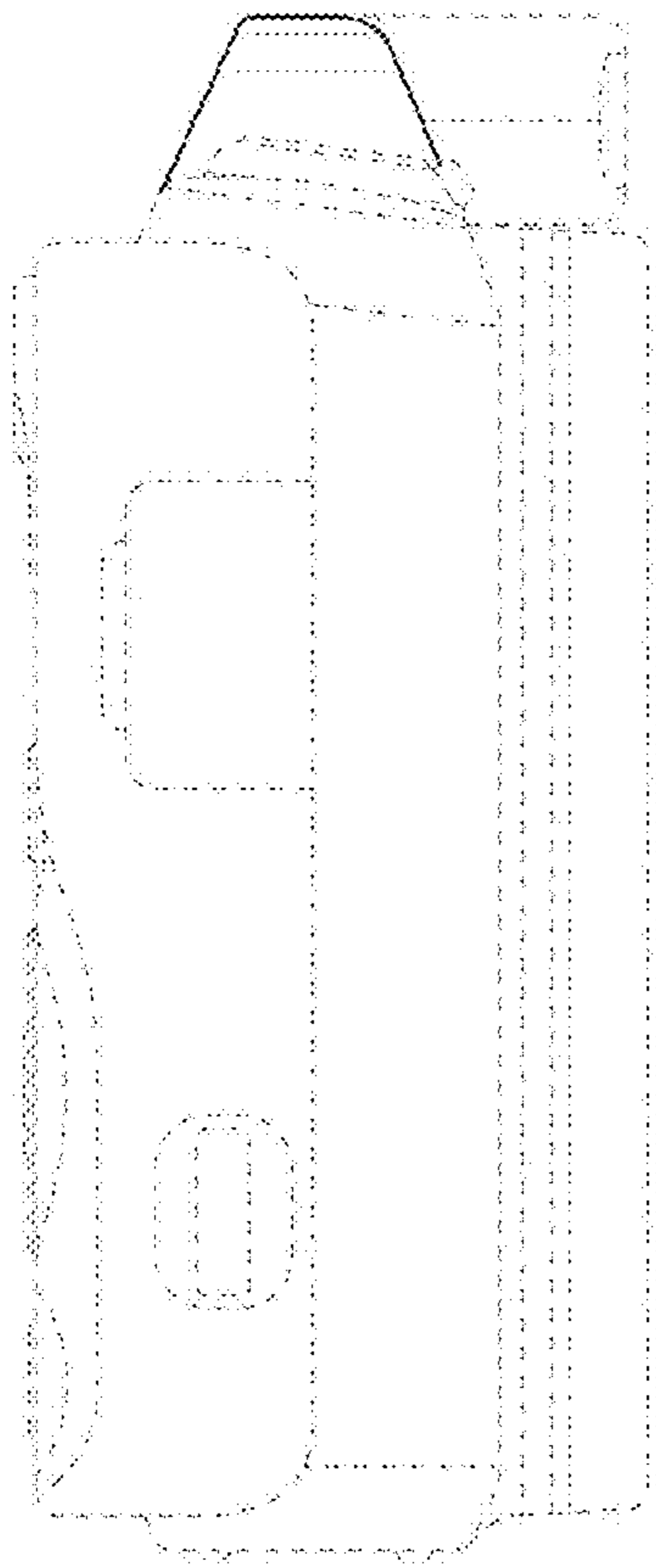


FIG.5

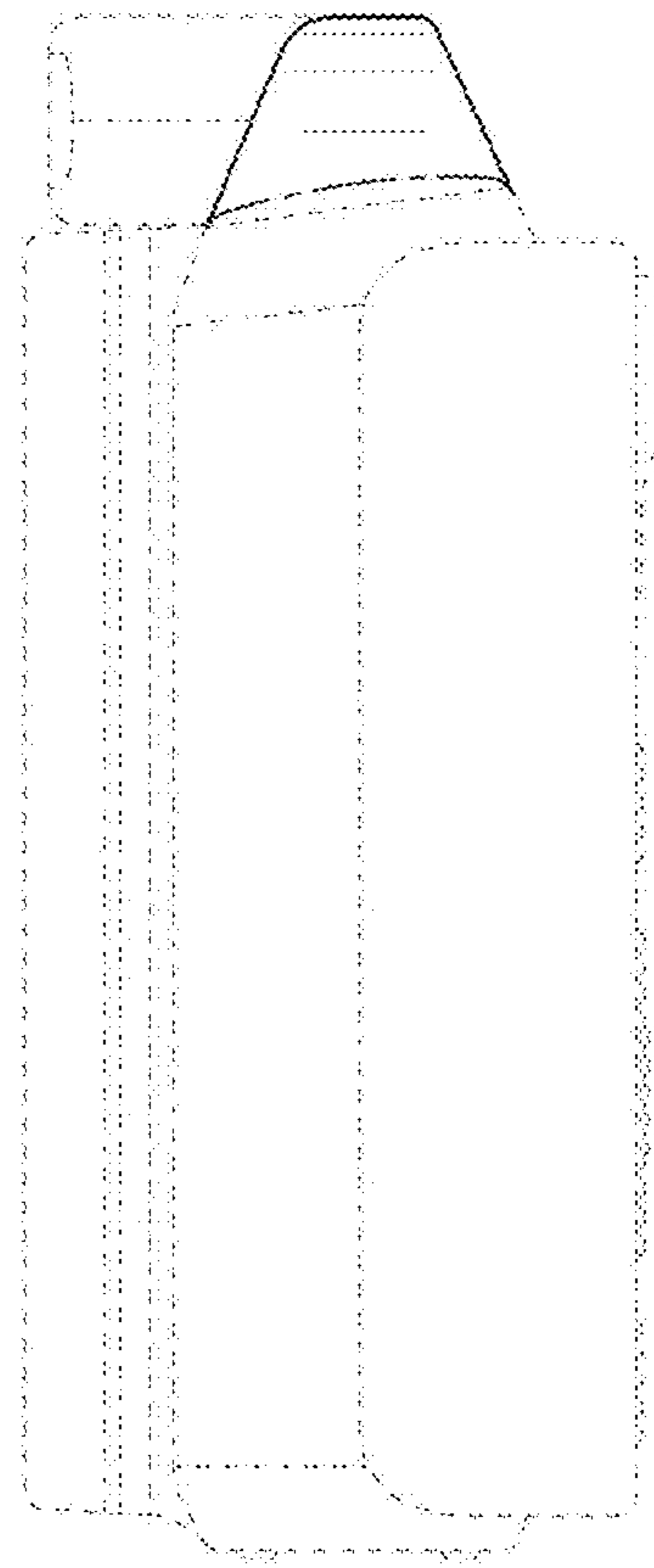


FIG.6

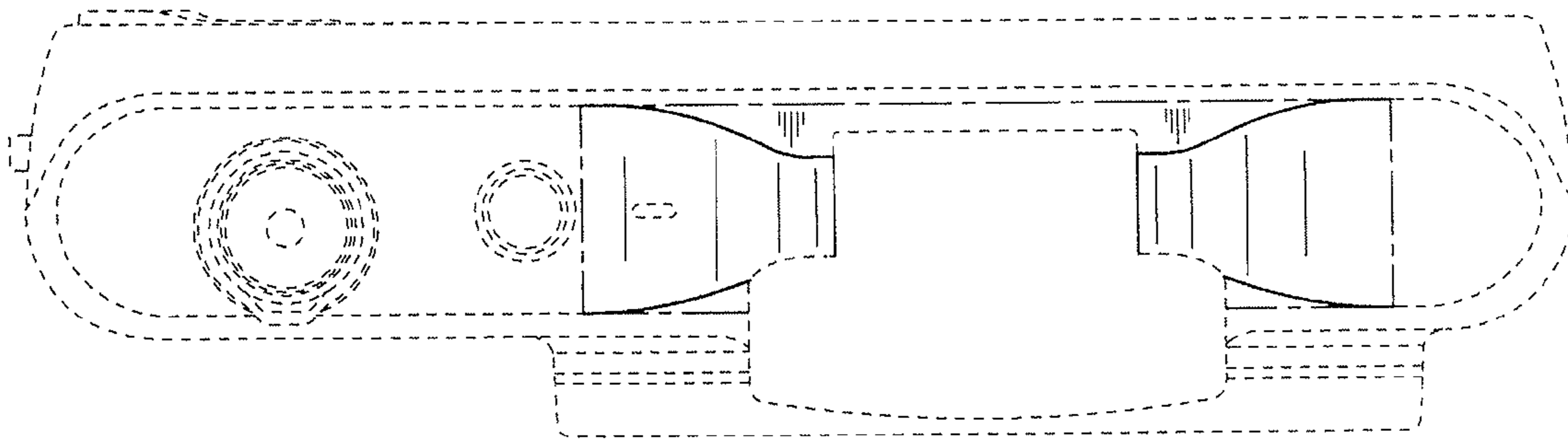


FIG.7

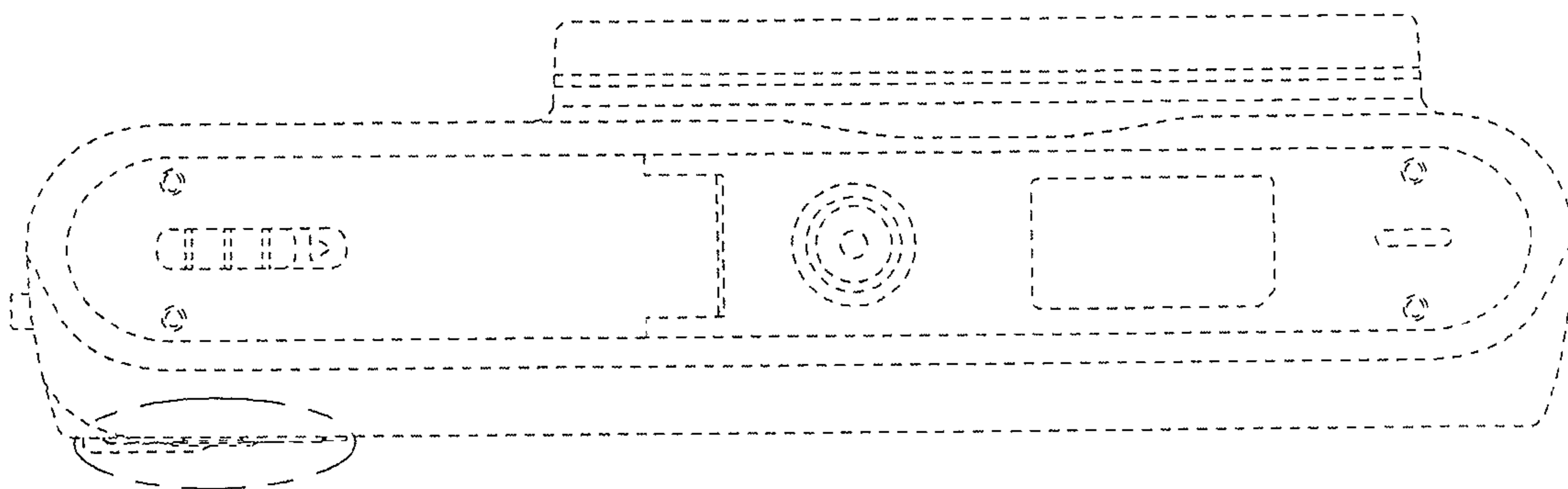


FIG.8

