



US00D741391S

(12) **United States Design Patent**
Sui

(10) **Patent No.:** **US D741,391 S**

(45) **Date of Patent:** **** Oct. 20, 2015**

(54) **COMPACT VIDEO CAMERA FOR PISTOL**

(71) Applicant: **Yongming Sui**, Ontario, CA (US)

(72) Inventor: **Yongming Sui**, Ontario, CA (US)

(73) Assignee: **Field Sport Inc.**, Ontario, CA (US)

(**) Term: **14 Years**

(21) Appl. No.: **29/500,133**

(22) Filed: **Aug. 21, 2014**

(51) **LOC (10) Cl.** **16-01**

(52) **U.S. Cl.**

USPC **D16/208**; D22/108

(58) **Field of Classification Search**

USPC D16/200, 202–205, 208, 218, 219, 235,
D16/242; D22/108–110; 250/214 VT, 574;
348/164, 360; 359/358, 819, 826–828;
396/529–532; 42/90, 99, 111–114, 146
CPC G03B 17/02; G03B 19/04; G03B 17/56;
G03B 17/04; G03B 15/03; G03B 17/14;
H04N 5/2251; H04N 5/2252; H04N 5/2253;
H04N 5/2254

See application file for complete search history.

(56) **References Cited**

U.S. PATENT DOCUMENTS

D318,313 S * 7/1991 Bechtel D22/110
D448,062 S * 9/2001 Criddle D22/110
D513,056 S * 12/2005 Ding D22/110
D513,633 S * 1/2006 Ding D22/110
D543,605 S * 5/2007 Cheng D22/110

D629,435 S * 12/2010 Barley D16/202
D654,551 S * 2/2012 Williams D22/107
D702,800 S * 4/2014 Speroni D22/108
D704,296 S * 5/2014 Cheng D22/109
8,713,844 B2 * 5/2014 Tuller, Jr. F41G 1/00
42/111
2012/0180370 A1 * 7/2012 McKinley F41G 1/02
42/146
2012/0240444 A1 * 9/2012 Russell F41C 27/00
42/90
2013/0180152 A1 * 7/2013 Speroni F41C 27/00
42/99

* cited by examiner

Primary Examiner — Adir Aronovich

Assistant Examiner — Ramzi Almatrahi

(74) *Attorney, Agent, or Firm* — Che-Yang Chen; Law Office of Michael Chen

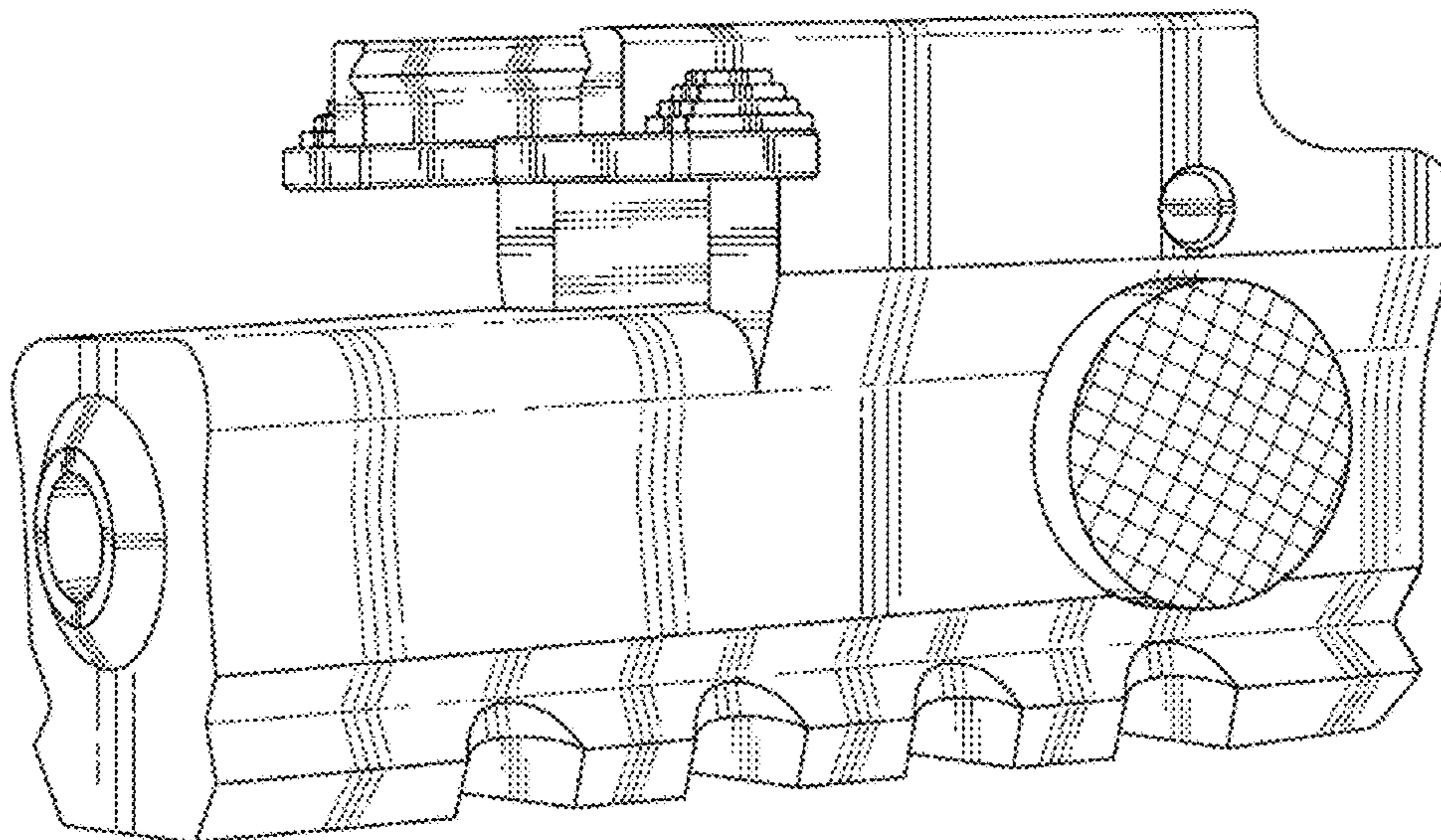
(57) **CLAIM**

The ornamental design for a compact video camera for pistol, as shown and described.

DESCRIPTION

FIG. 1 is a perspective view of a compact video camera for pistol showing my new design;
FIG. 2 is an enlarged rear elevational view thereof;
FIG. 3 is an enlarged front elevational view thereof;
FIG. 4 is a top plan view thereof;
FIG. 5 is a bottom plan view thereof;
FIG. 6 is a left side elevational view thereof; and,
FIG. 7 is a right side elevational view thereof.

1 Claim, 4 Drawing Sheets



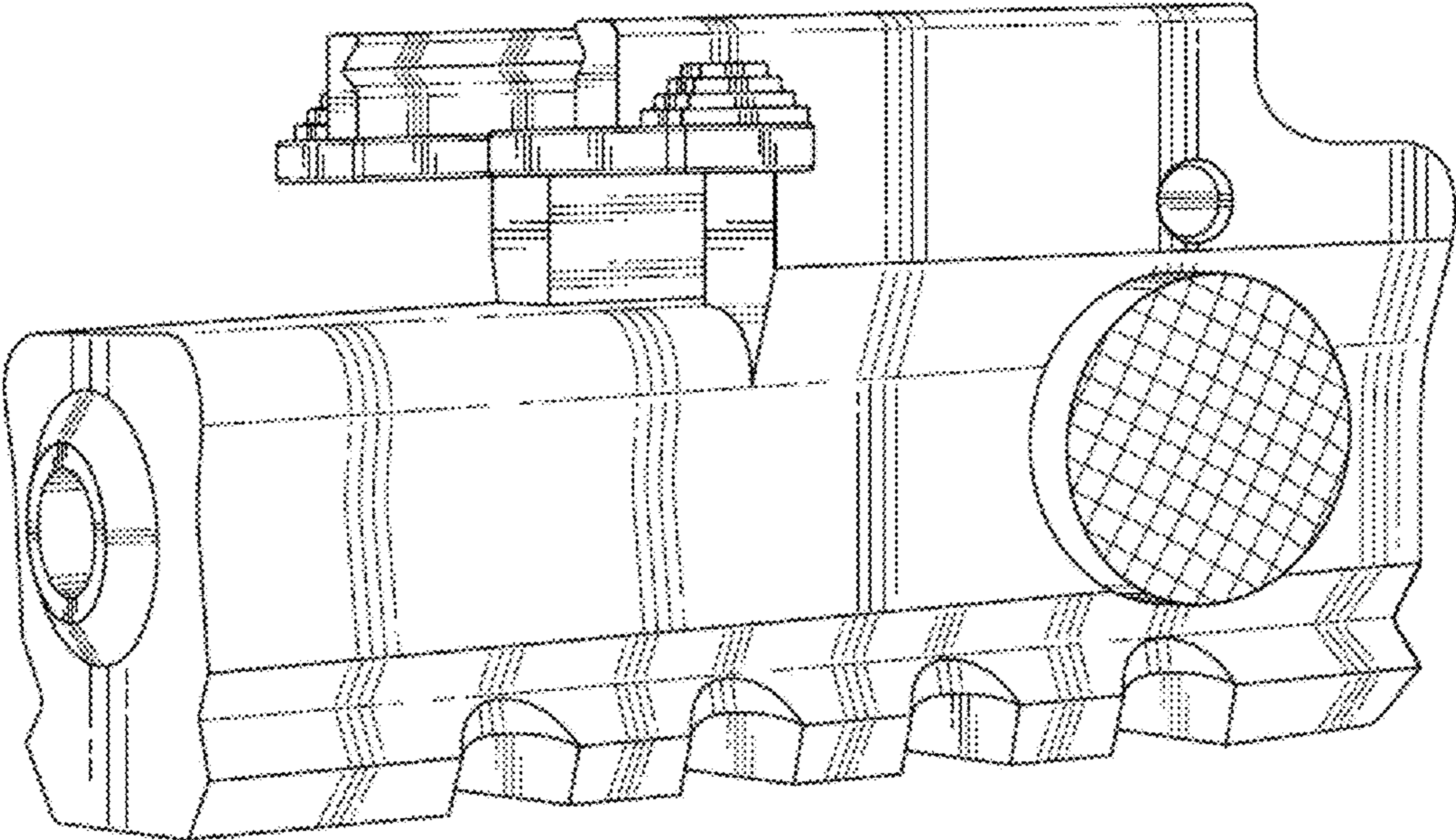


FIG. 1

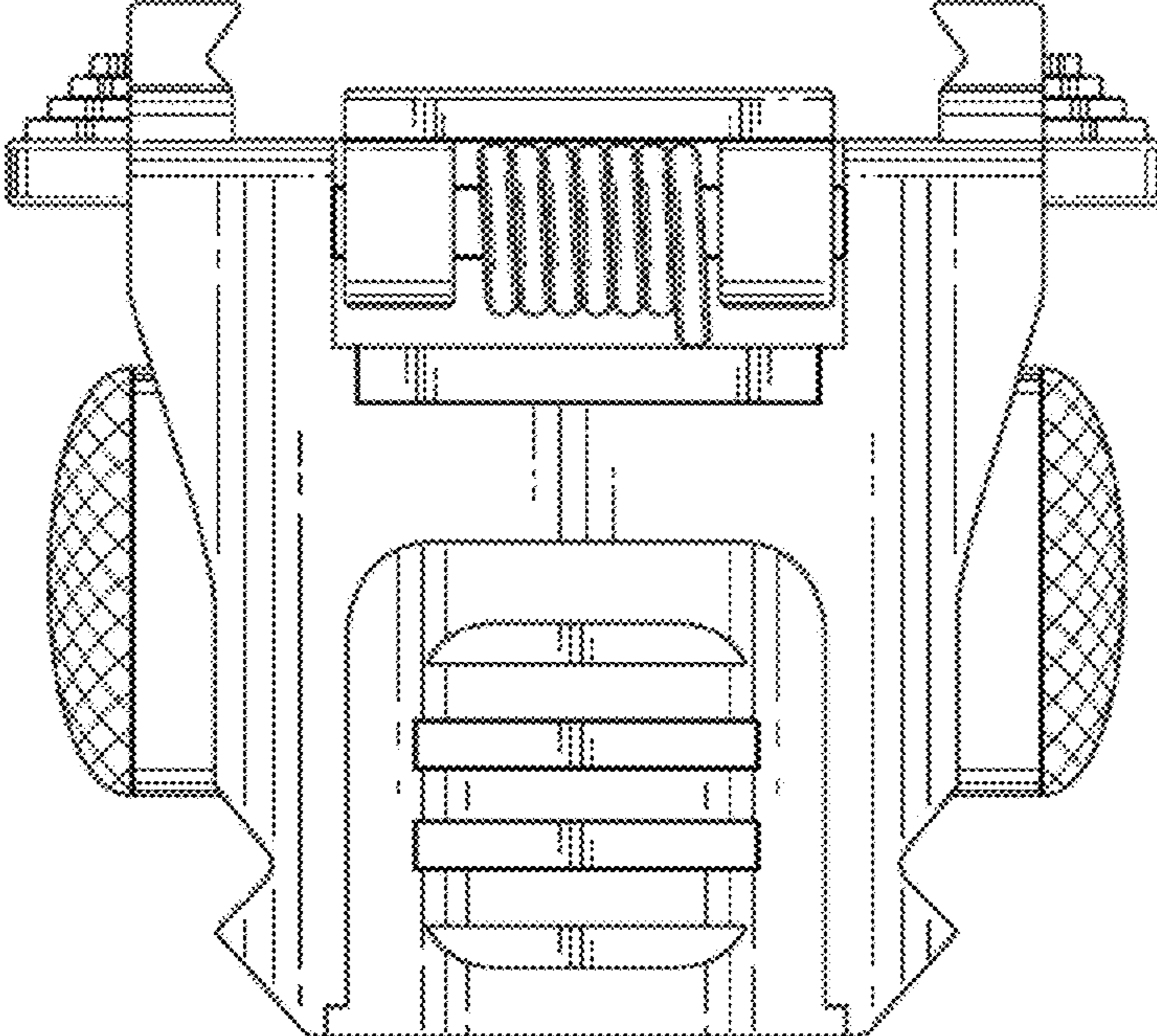


FIG. 2

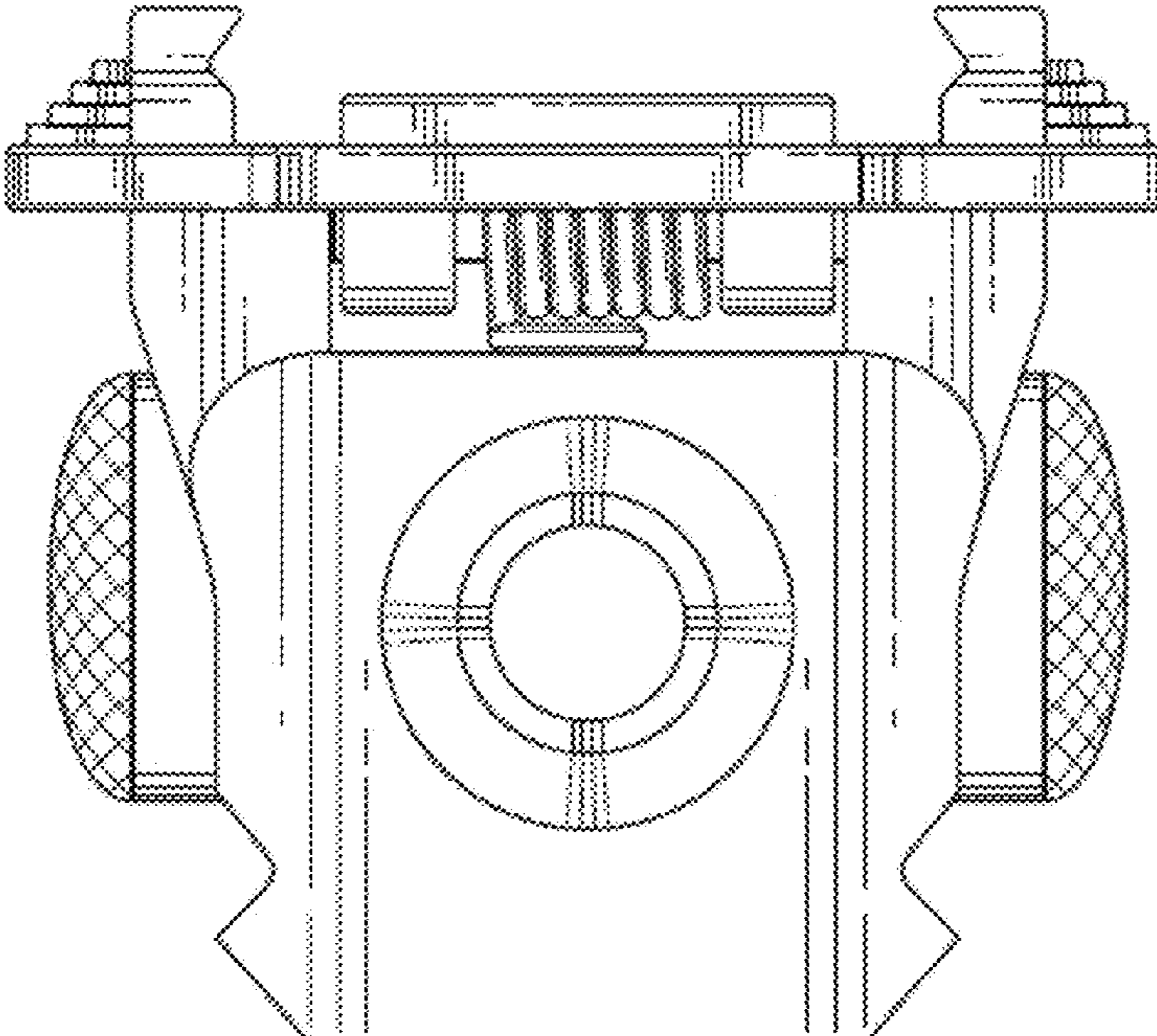


FIG. 3

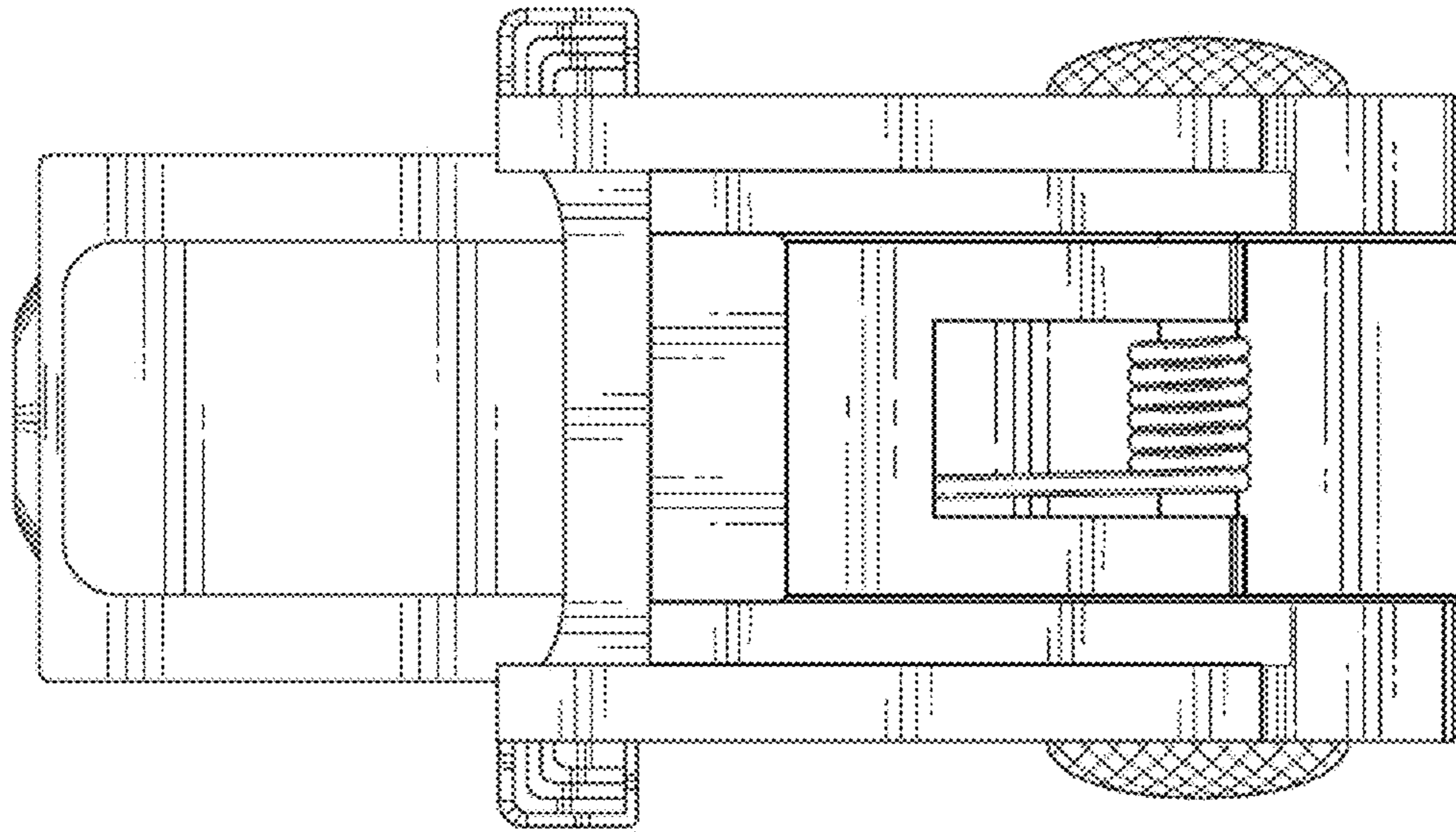


FIG. 4

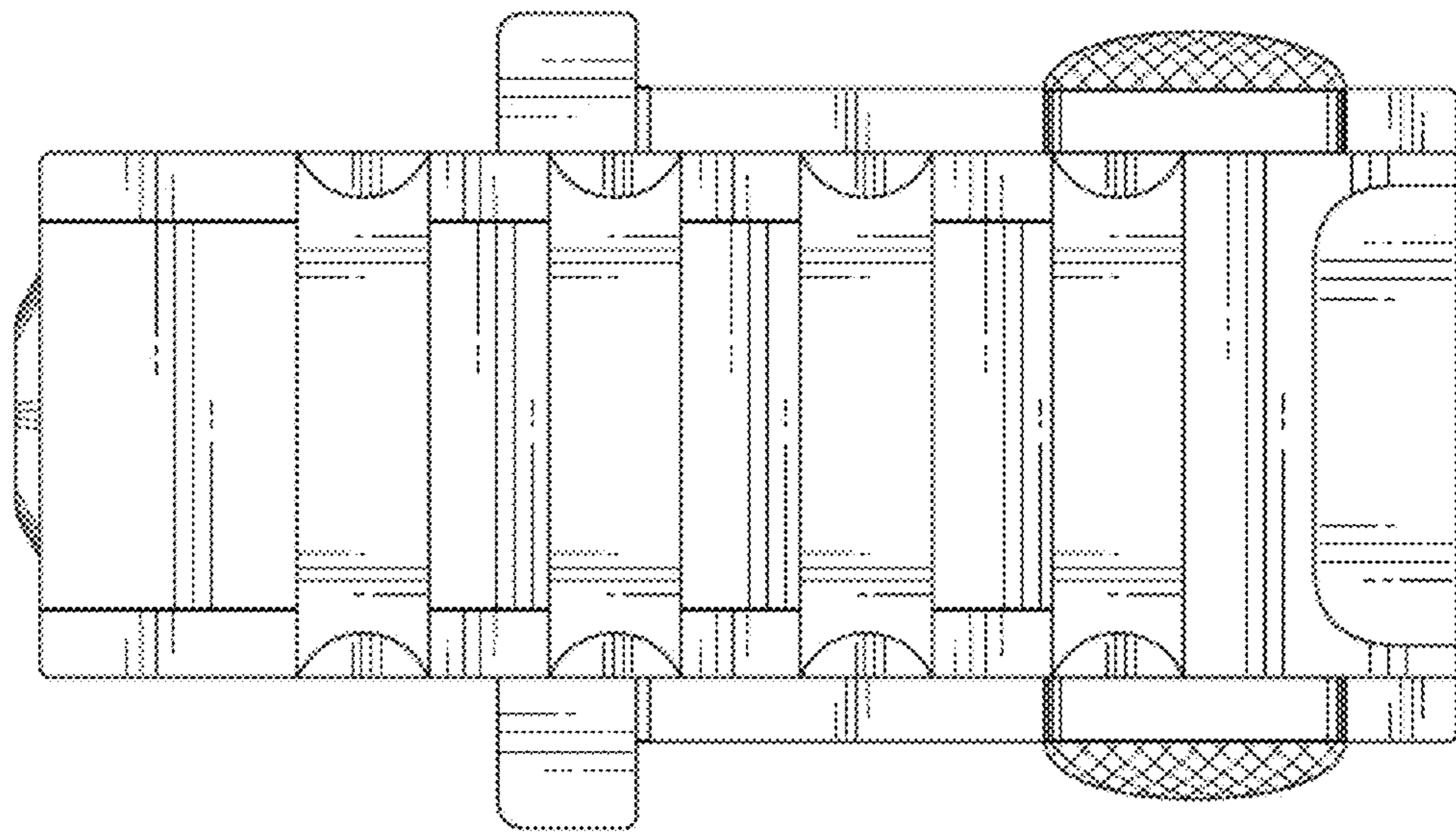


FIG. 5

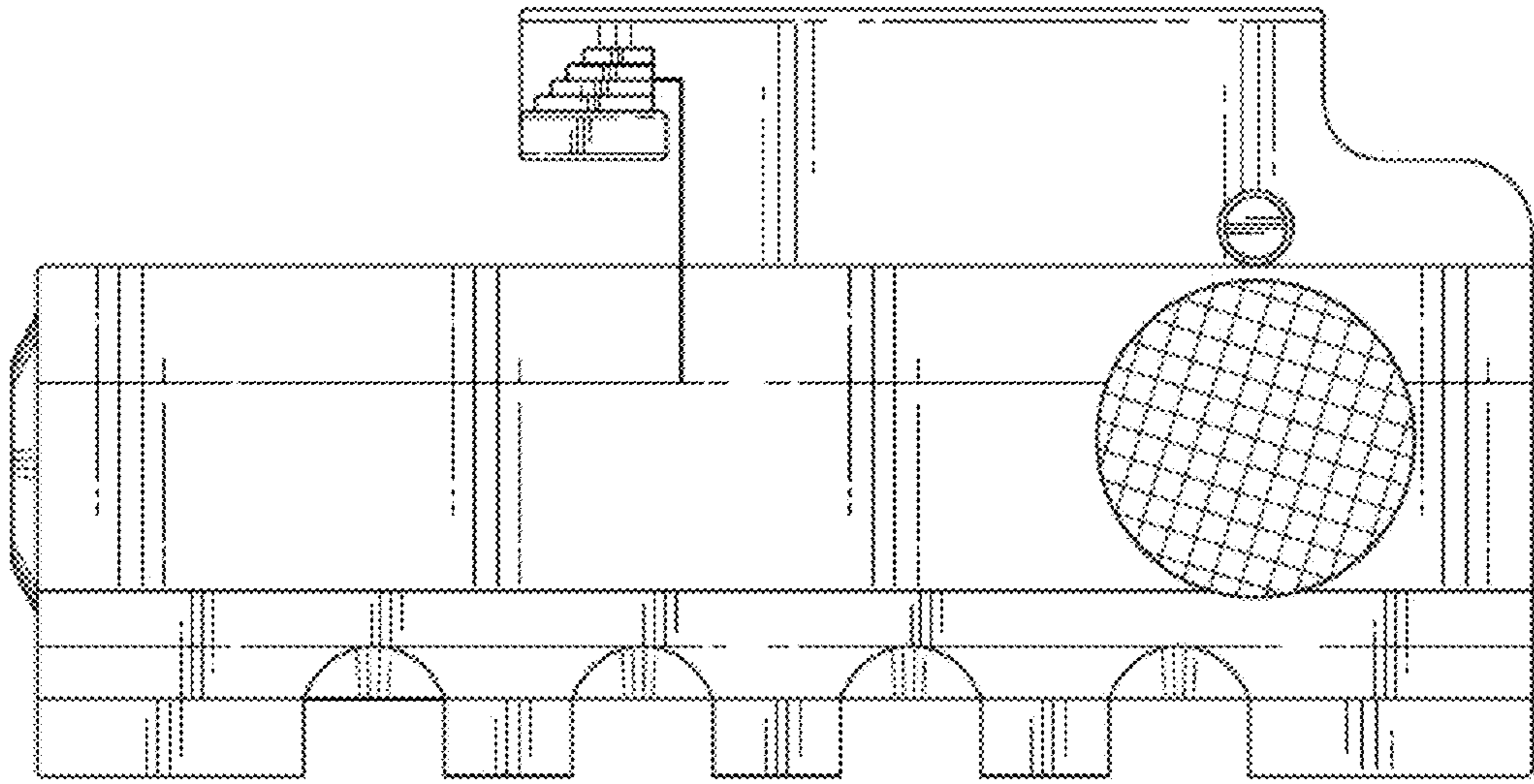


FIG. 6

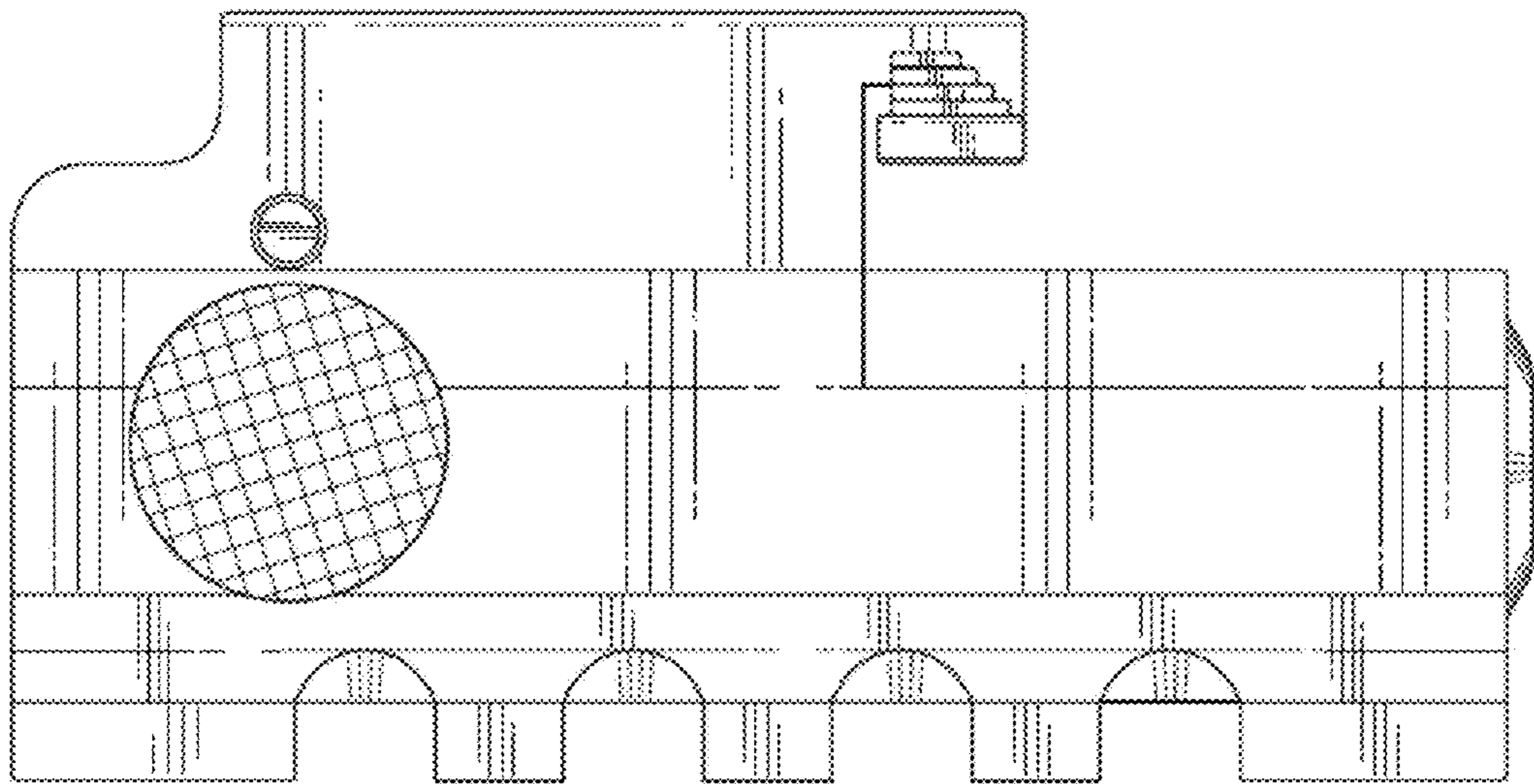


FIG. 7