



US00D741390S

(12) **United States Design Patent**  
**Mayeur**

(10) **Patent No.:** **US D741,390 S**  
(45) **Date of Patent:** **\*\* Oct. 20, 2015**

(54) **INFRARED CAMERA IN THE SHAPE OF A GUN**

(56)

**References Cited**

U.S. PATENT DOCUMENTS

(71) Applicant: **Chauvin-Arnoux**, Paris (FR)

(72) Inventor: **Jean-Christophe Mayeur**,  
Roissy-en-France (FR)

(73) Assignee: **Chauvin-Arnoux**, Paris (FR)

(\*\*) Term: **14 Years**

(21) Appl. No.: **29/499,629**

(22) Filed: **Aug. 18, 2014**

(30) **Foreign Application Priority Data**

Mar. 10, 2014 (EP) ..... 001405500-0001

(51) **LOC (10) Cl.** ..... **16-01**

(52) **U.S. Cl.**  
USPC ..... **D16/206**

(58) **Field of Classification Search**

USPC ..... D16/200, 202–206, 208, 218, 219, 242;  
348/164, 347, 373–376; 396/535,  
396/539–541; 250/330, 332  
CPC ..... G03B 15/03; G03B 17/02; G03B 17/04;  
G03B 17/56; G03B 19/04; H04N 5/2251;  
H04N 5/2252; H04N 5/2253; H04N 5/2254;  
H04N 2101/00; H04N 5/33; H04N 5/332

See application file for complete search history.

D466,540	S	*	12/2002	Lannstedt et al.	.....	D16/218
D585,927	S	*	2/2009	Sheard et al.	.....	D16/206
D599,392	S	*	9/2009	Hamrelius	.....	D16/206
D658,222	S	*	4/2012	Elrod et al.	.....	D16/206
D665,440	S	*	8/2012	Sigward	.....	D16/206
D677,298	S	*	3/2013	Hallgren	.....	D16/206
D710,424	S	*	8/2014	Hallgren	.....	D16/206
D723,605	S	*	3/2015	Palm	.....	D16/206
2004/0129881	A1	*	7/2004	Hamrelius et al.	.....	250/330
2009/0090864	A1	*	4/2009	Glatzmaier et al.	.....	250/330
2009/0102925	A1	*	4/2009	Sheard et al.	.....	348/164
2012/0314084	A1	*	12/2012	Lammert et al.	.....	348/164
2013/0188058	A1	*	7/2013	Nguyen et al.	.....	348/164

\* cited by examiner

*Primary Examiner* — Adir Aronovich

*Assistant Examiner* — Ramzi Almatrahi

(74) *Attorney, Agent, or Firm* — Baker & Hostetler LLP

(57) **CLAIM**

The ornamental design for an infrared camera in the shape of a gun, as shown and described.

**DESCRIPTION**

FIG. 1 is a rear perspective view of an infrared camera in the shape of a gun;

FIG. 2 is a rear elevation view thereof;

FIG. 3 is a front elevation view thereof;

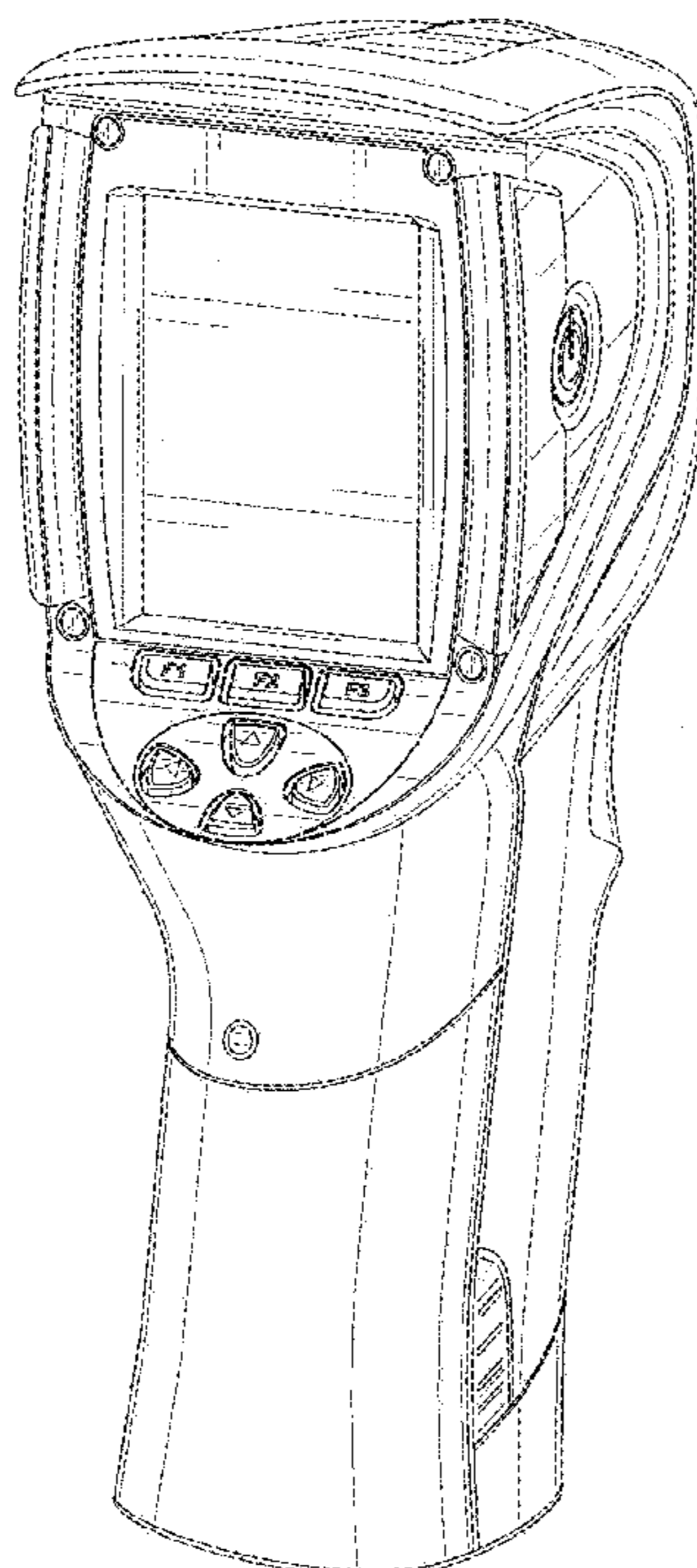
FIG. 4 is a left side elevation view thereof;

FIG. 5 is a right side elevation view thereof;

FIG. 6 is a top plan view thereof; and,

FIG. 7 is a bottom plan view thereof.

**1 Claim, 7 Drawing Sheets**



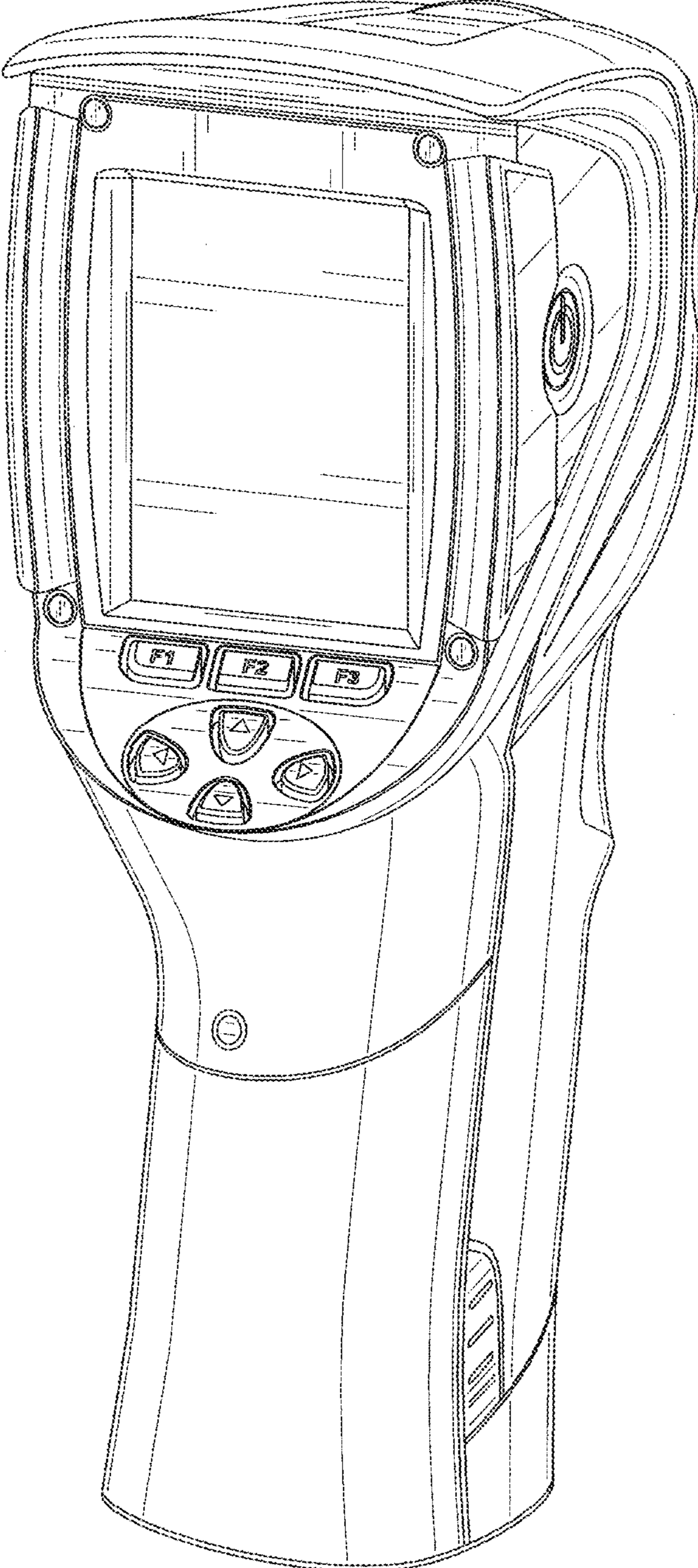


FIG. 1

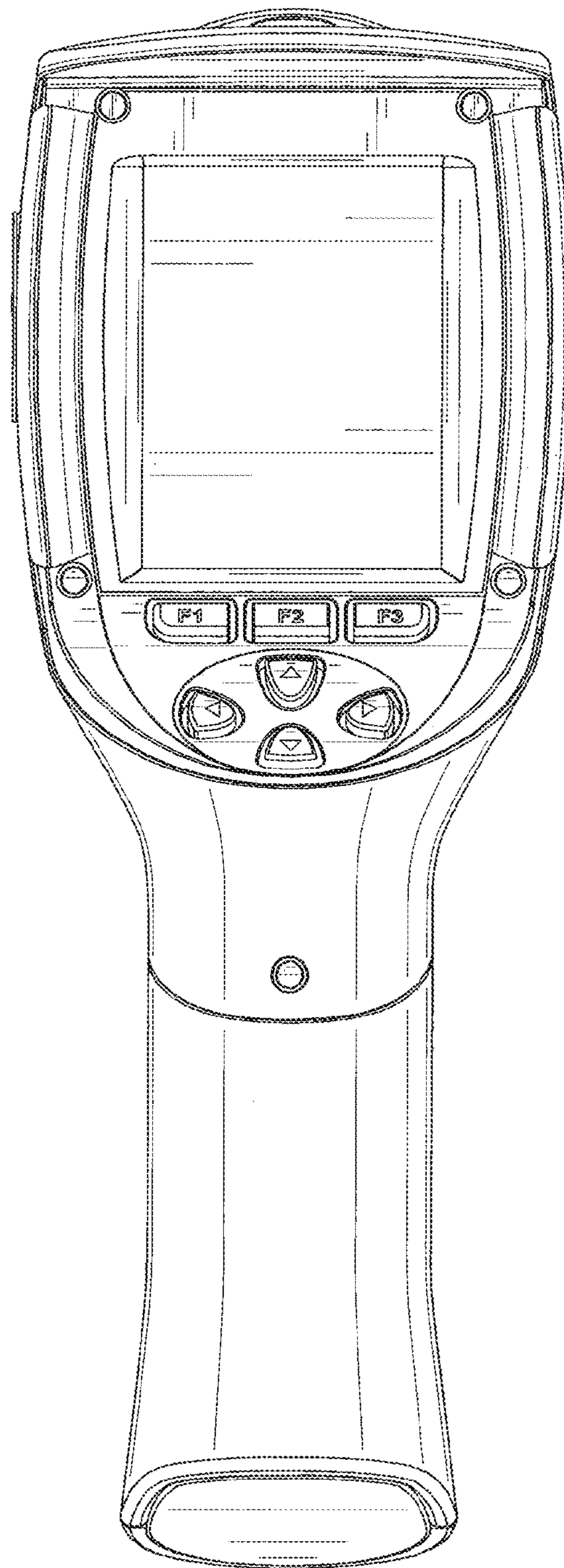


FIG. 2

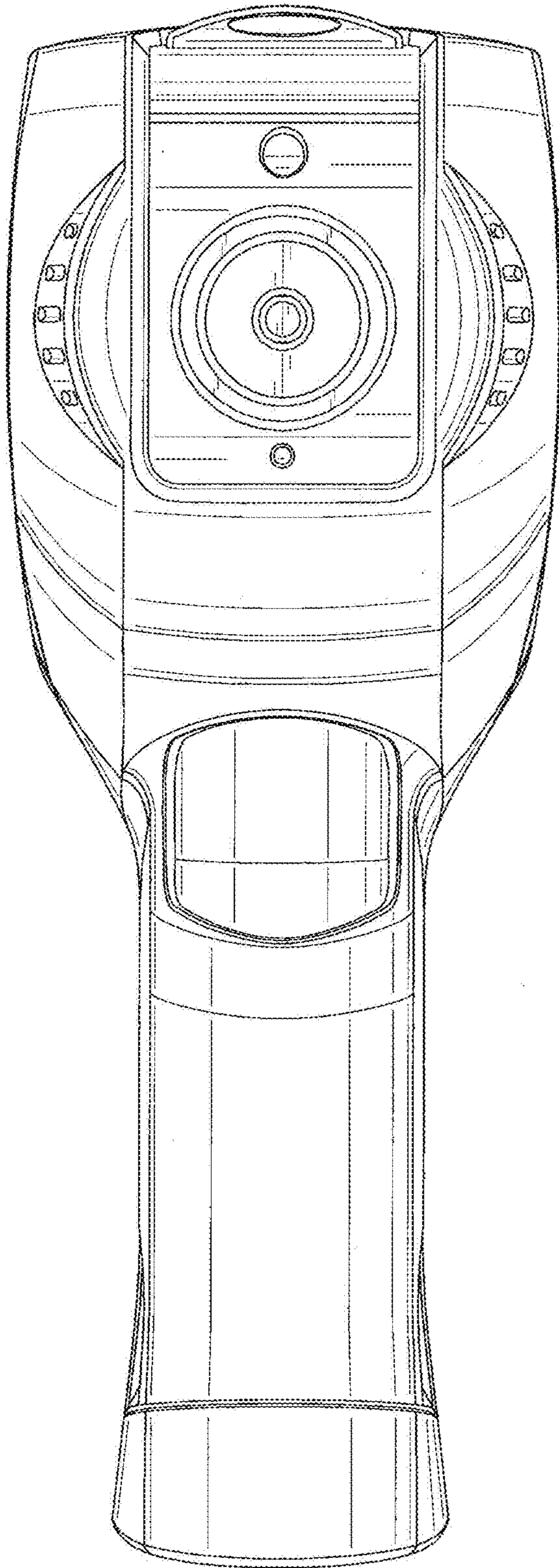


FIG. 3

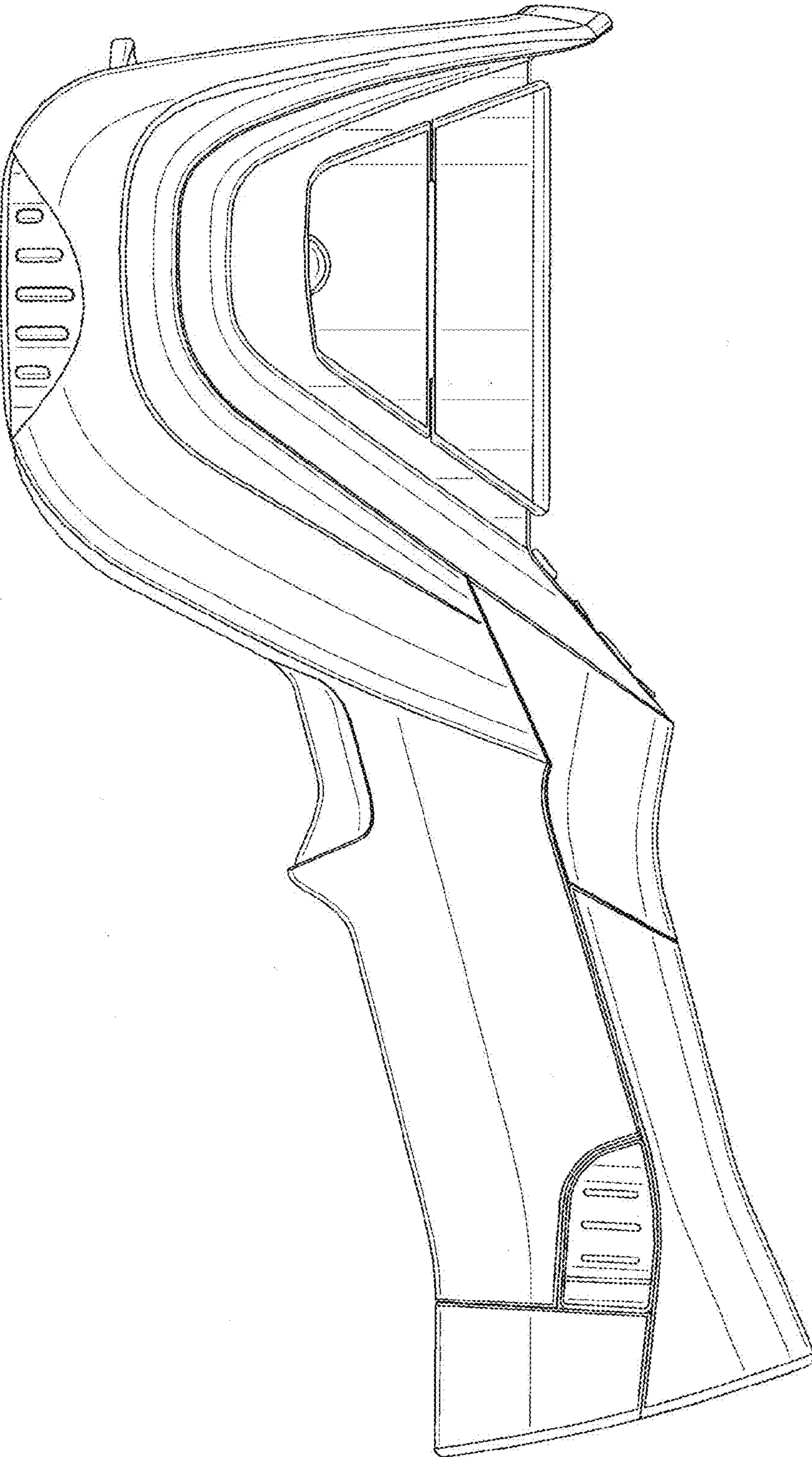


FIG. 4

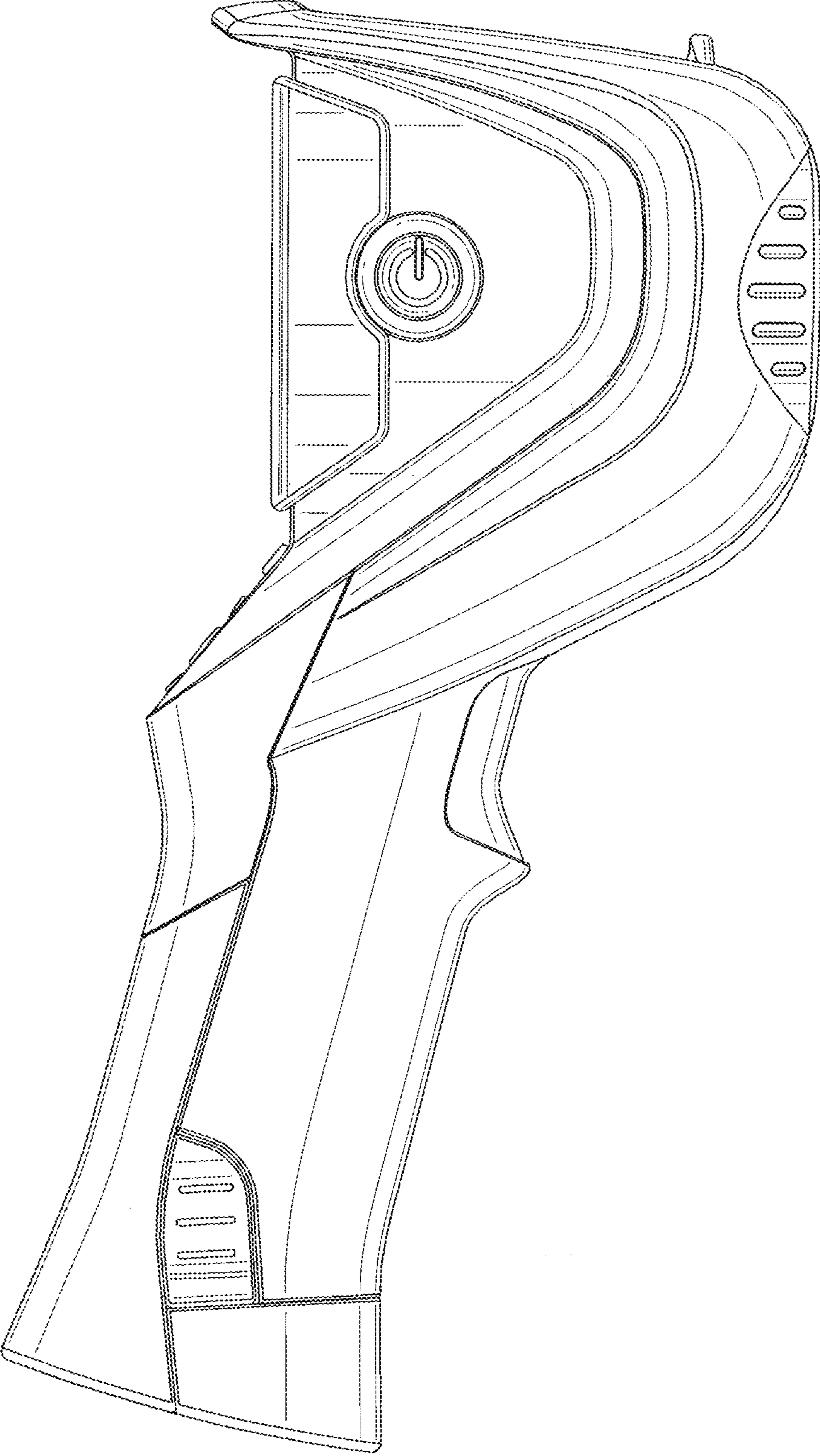


FIG. 5

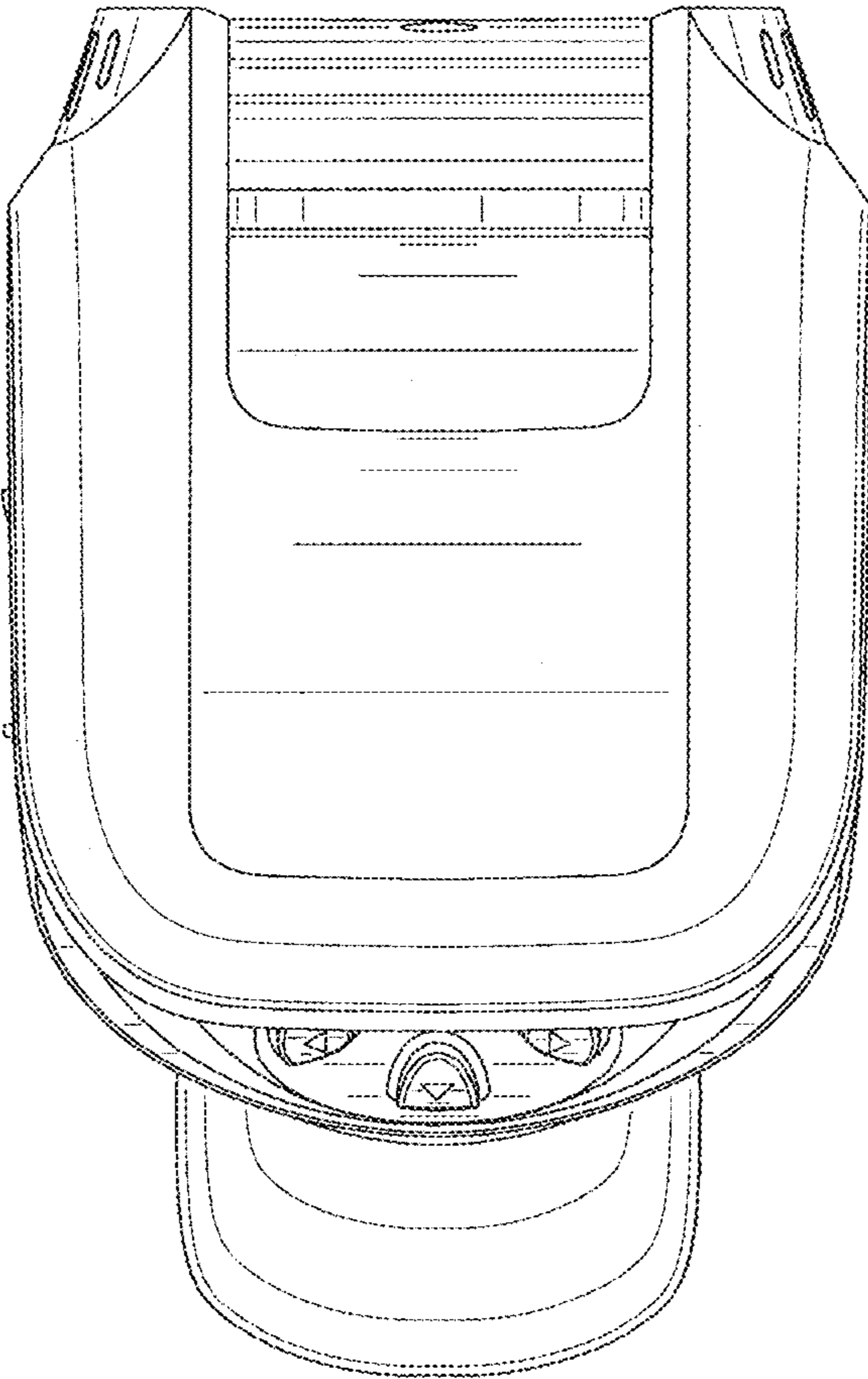


FIG. 6

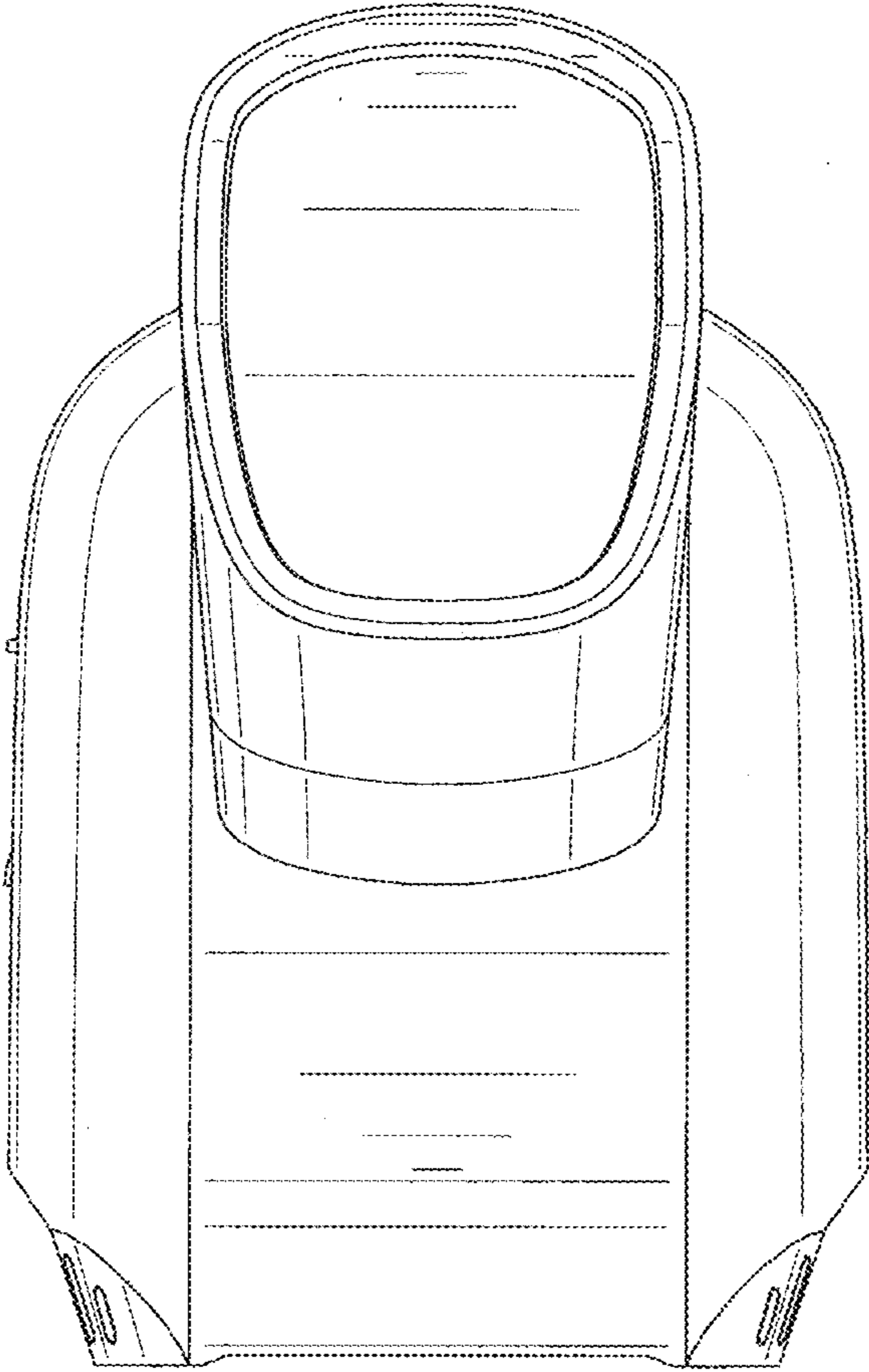


FIG. 7