



US00D741389S

(12) **United States Design Patent**
Park et al.

(10) **Patent No.:** **US D741,389 S**
(45) **Date of Patent:** **** Oct. 20, 2015**

(54) **SURVEILLANCE CAMERA**

(56) **References Cited**

(71) Applicant: **HANWHA TECHWIN CO., LTD.**,
Changwon (KR)
(72) Inventors: **Ho Jin Park**, Changwon-si (KR); **Hyun**
Kyu Park, Changwon-si (KR)
(73) Assignee: **Hanwha Techwin Co., Ltd.**,
Changwon-si (KR)

U.S. PATENT DOCUMENTS

D381,670 S * 7/1997 Priestman et al. D16/218
D517,585 S * 3/2006 Iino et al. D16/203
D520,548 S * 5/2006 Tsai D16/203
D542,319 S * 5/2007 Ishida et al. D16/203
D543,567 S * 5/2007 Kato et al. D16/203
D556,803 S * 12/2007 Ishida D16/203
D574,870 S * 8/2008 Takahashi D16/203
D626,984 S * 11/2010 Miyaji D16/203
D695,809 S * 12/2013 Katori et al. D16/203
D704,240 S * 5/2014 McBride et al. D16/203
D708,654 S * 7/2014 Tani D16/203
2007/0201862 A1 * 8/2007 Van Schaik et al. 396/427
2010/0245569 A1 * 9/2010 Hakoishi 348/143

(**) Term: **14 Years**

FOREIGN PATENT DOCUMENTS

(21) Appl. No.: **29/495,621**

KR 30-0658768 S 9/2012

(22) Filed: **Jul. 2, 2014**

* cited by examiner

(30) **Foreign Application Priority Data**

Jan. 3, 2014 (KR) 30-2014-0000413

(51) **LOC (10) Cl.** **16-01**

(52) **U.S. Cl.**
USPC **D16/203**

(58) **Field of Classification Search**
USPC D16/200, 202-208, 218, 219, 242;
348/143, 148, 151, 373-376; 396/419,
396/427, 535, 539-541; 248/176.1, 187.1
CPC G03B 17/02; G03B 19/04; G03B 17/56;
G03B 17/04; G03B 15/03; H04N 5/2251;
H04N 5/2252; H04N 5/2253; H04N 5/2254;
H04N 7/181; H04N 7/183; H04N 7/18;
G08B 13/1963; G08B 13/19619; G08B
13/19632

See application file for complete search history.

Primary Examiner — Adir Aronovich
Assistant Examiner — Ramzi Almatrahi
(74) *Attorney, Agent, or Firm* — Sughrue Mion, PLLC

(57) **CLAIM**
The ornamental design for a surveillance camera, as shown
and described.

DESCRIPTION

FIG. 1 is a perspective view of a surveillance camera;
FIG. 2 is a front elevational view of the surveillance camera;
FIG. 3 is a rear elevational view of the surveillance camera;
FIG. 4 is a left side elevational view of the surveillance
camera;
FIG. 5 is a right side elevational view of the surveillance
camera;
FIG. 6 is a top plan view of the surveillance camera; and,
FIG. 7 is a bottom plan view of the surveillance camera.

1 Claim, 7 Drawing Sheets

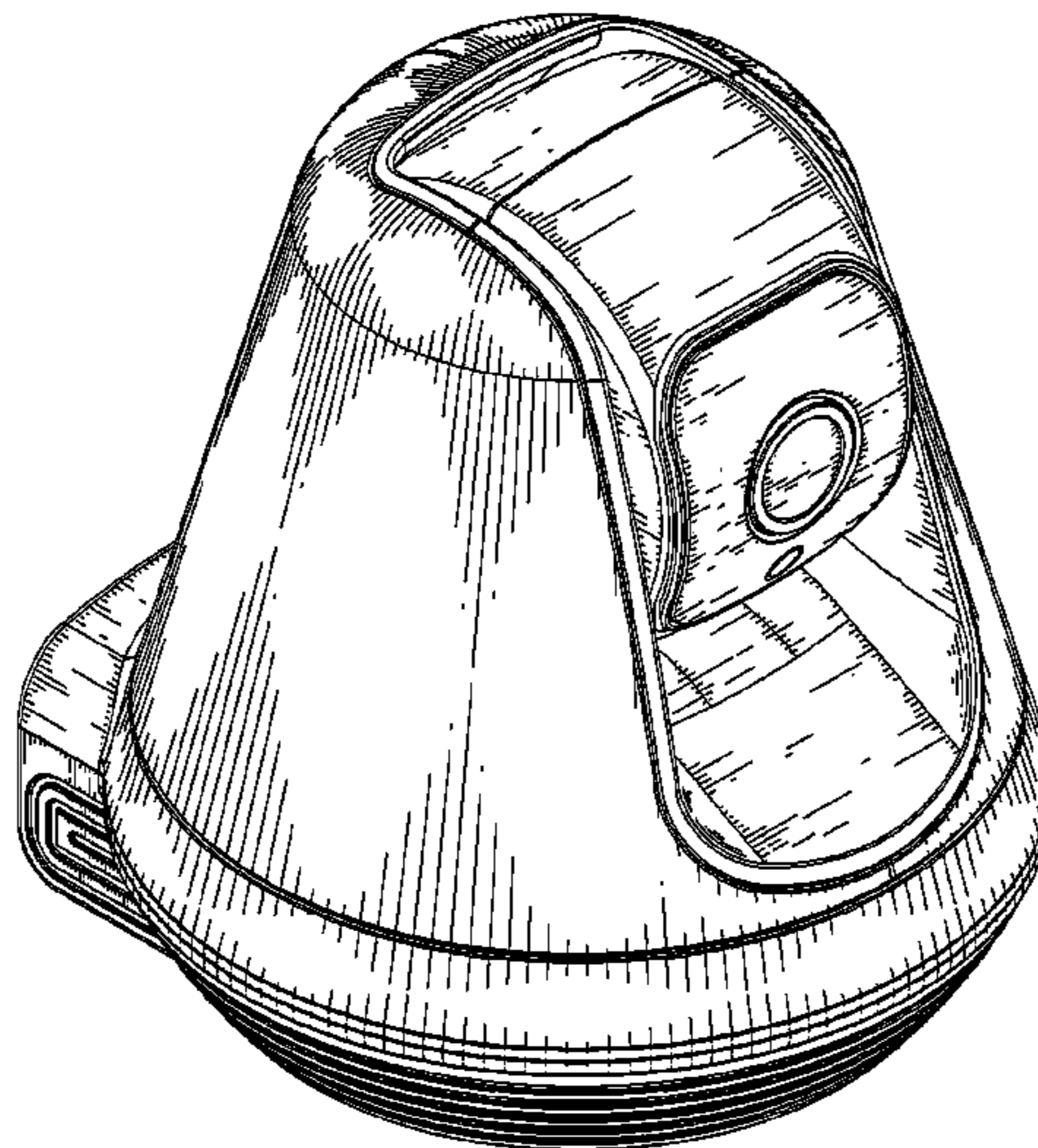


FIG. 1

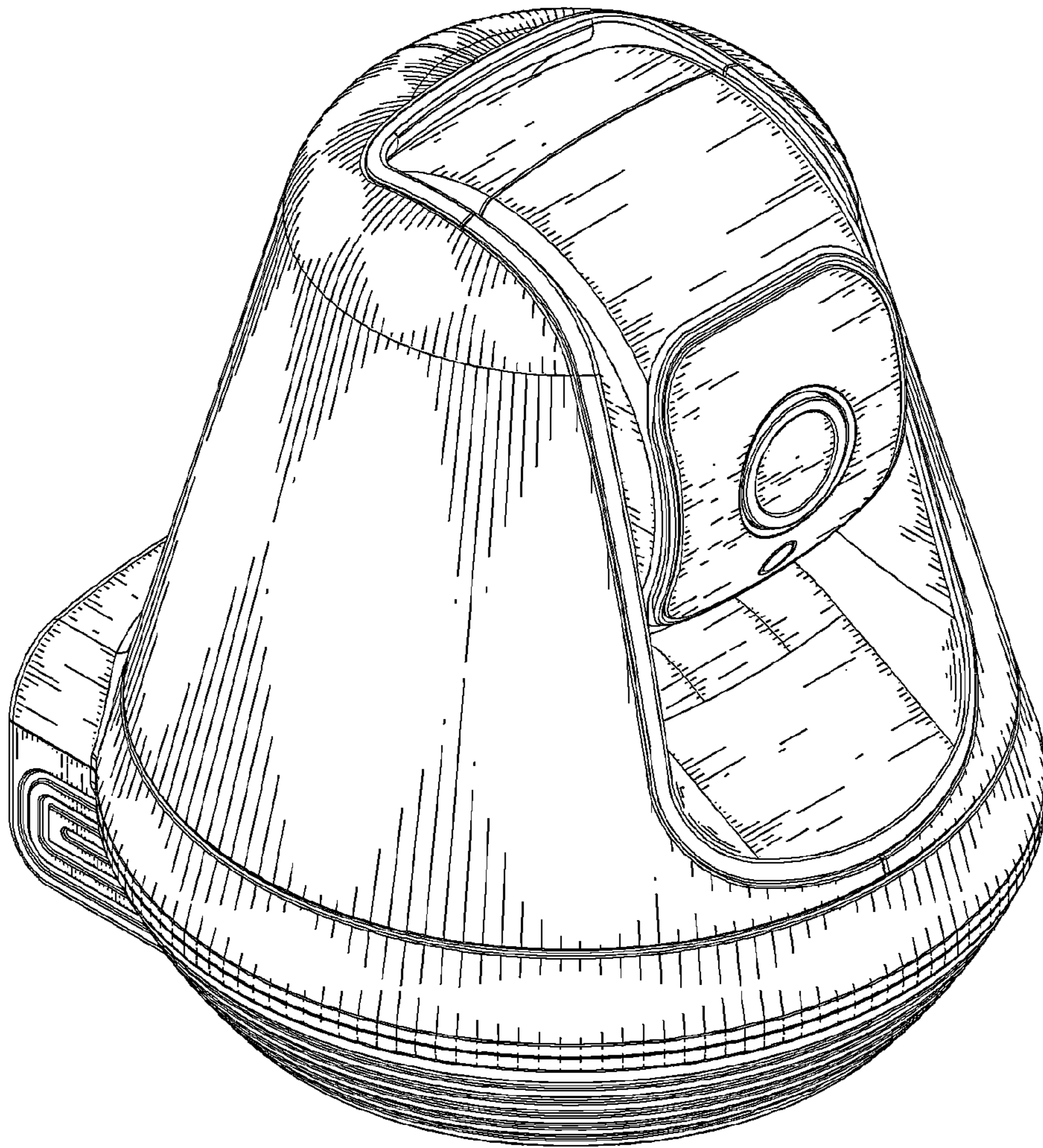


FIG. 2

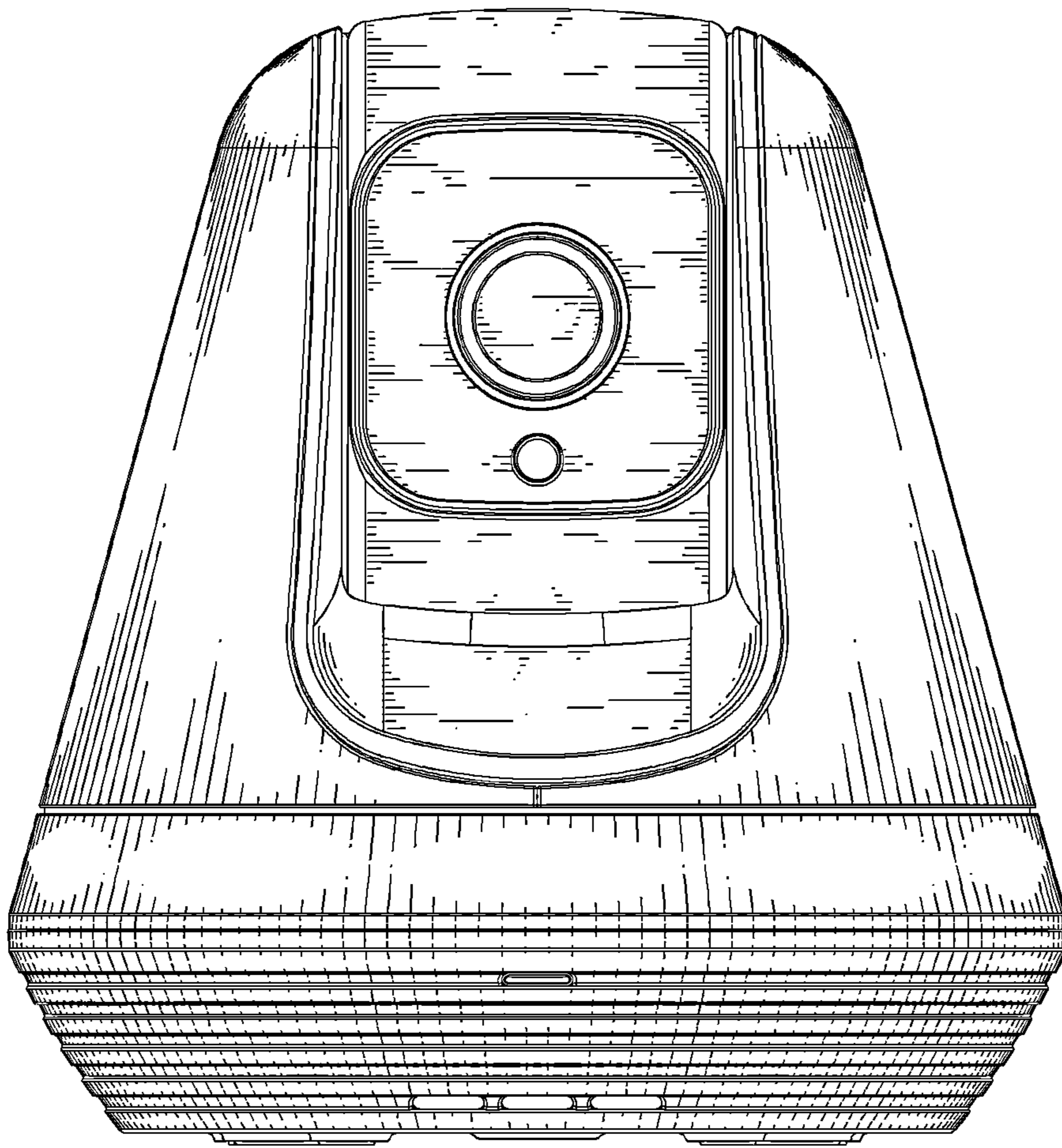


FIG. 3

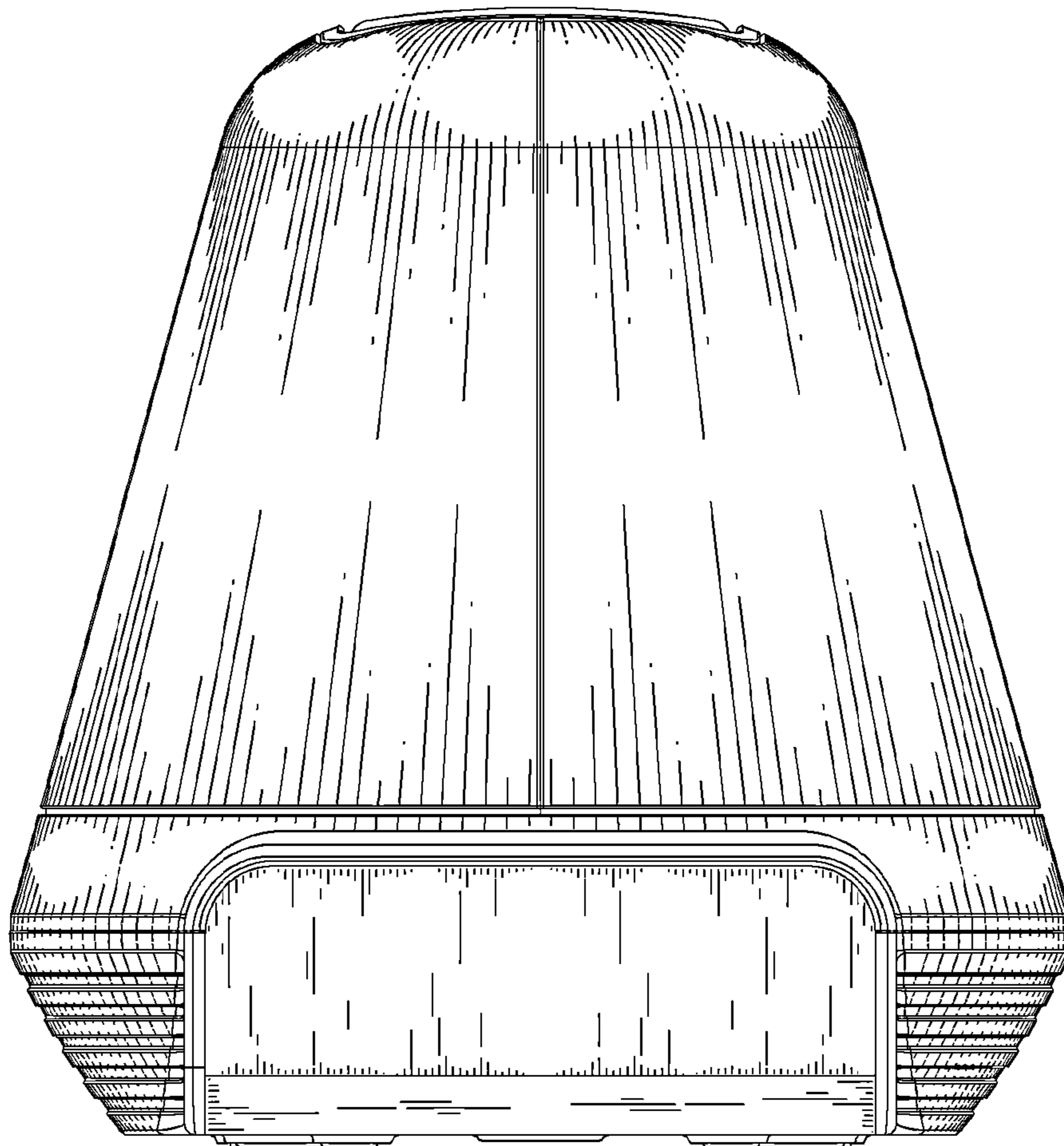


FIG. 4

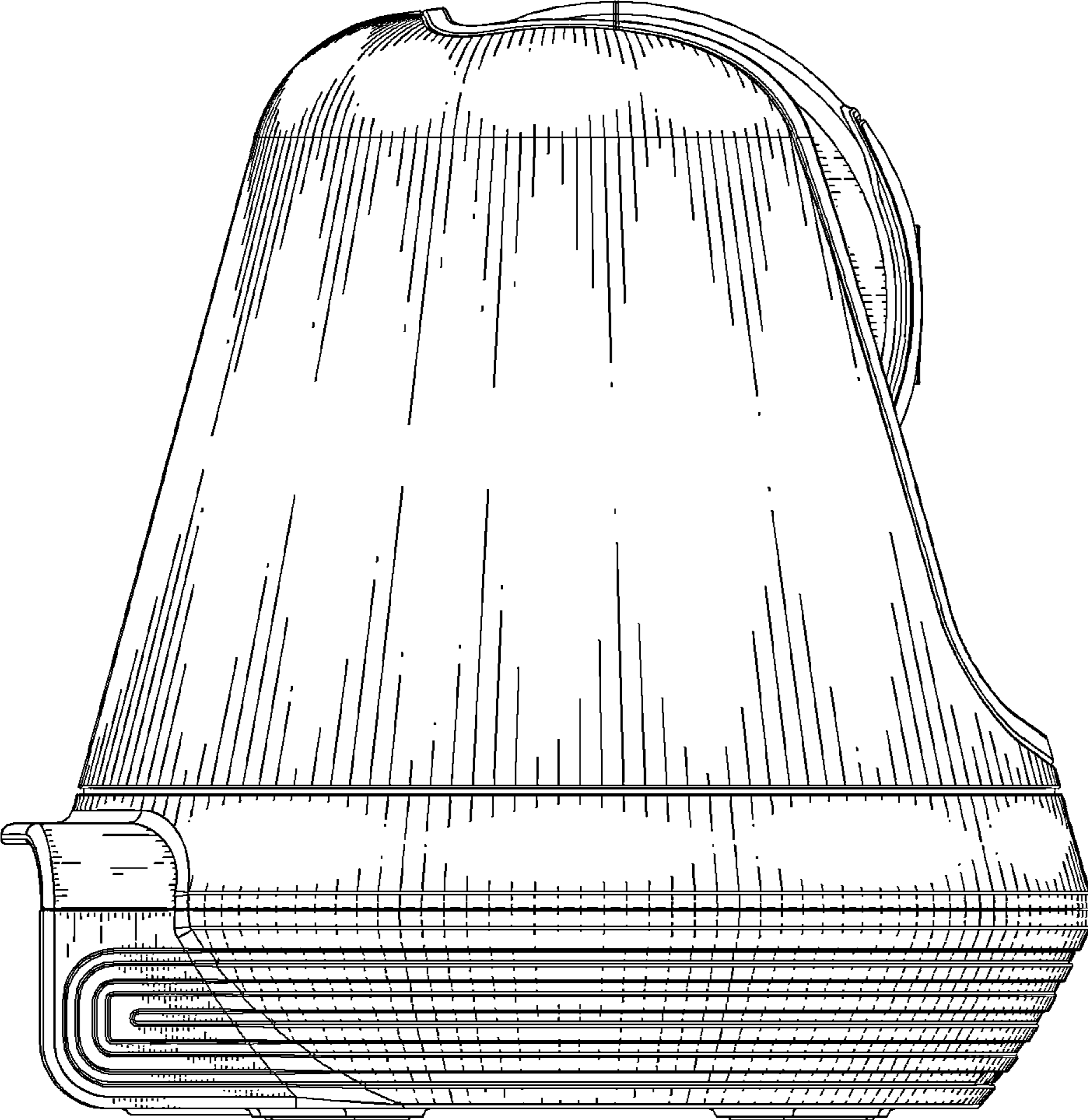


FIG. 5

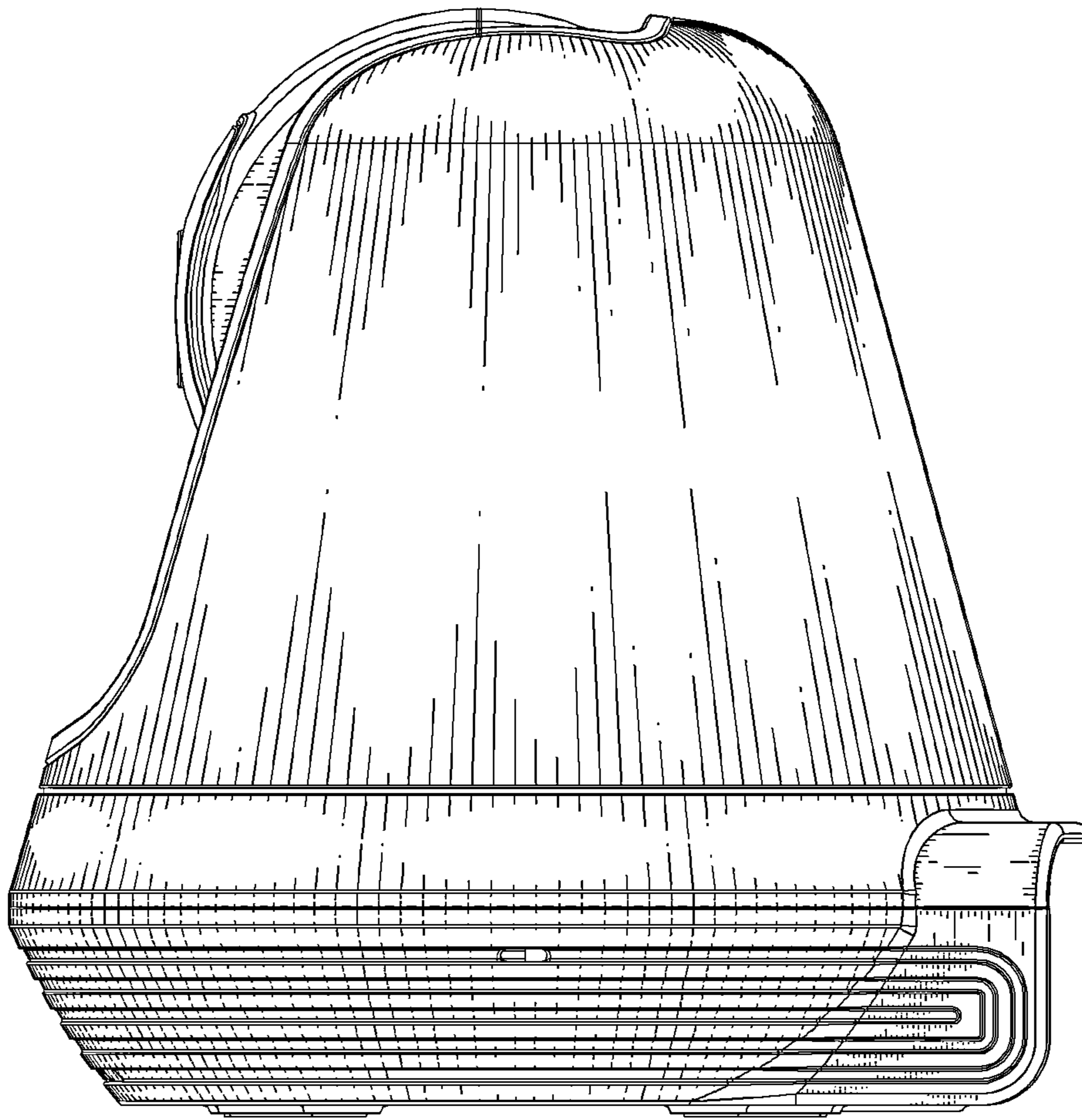


FIG. 6

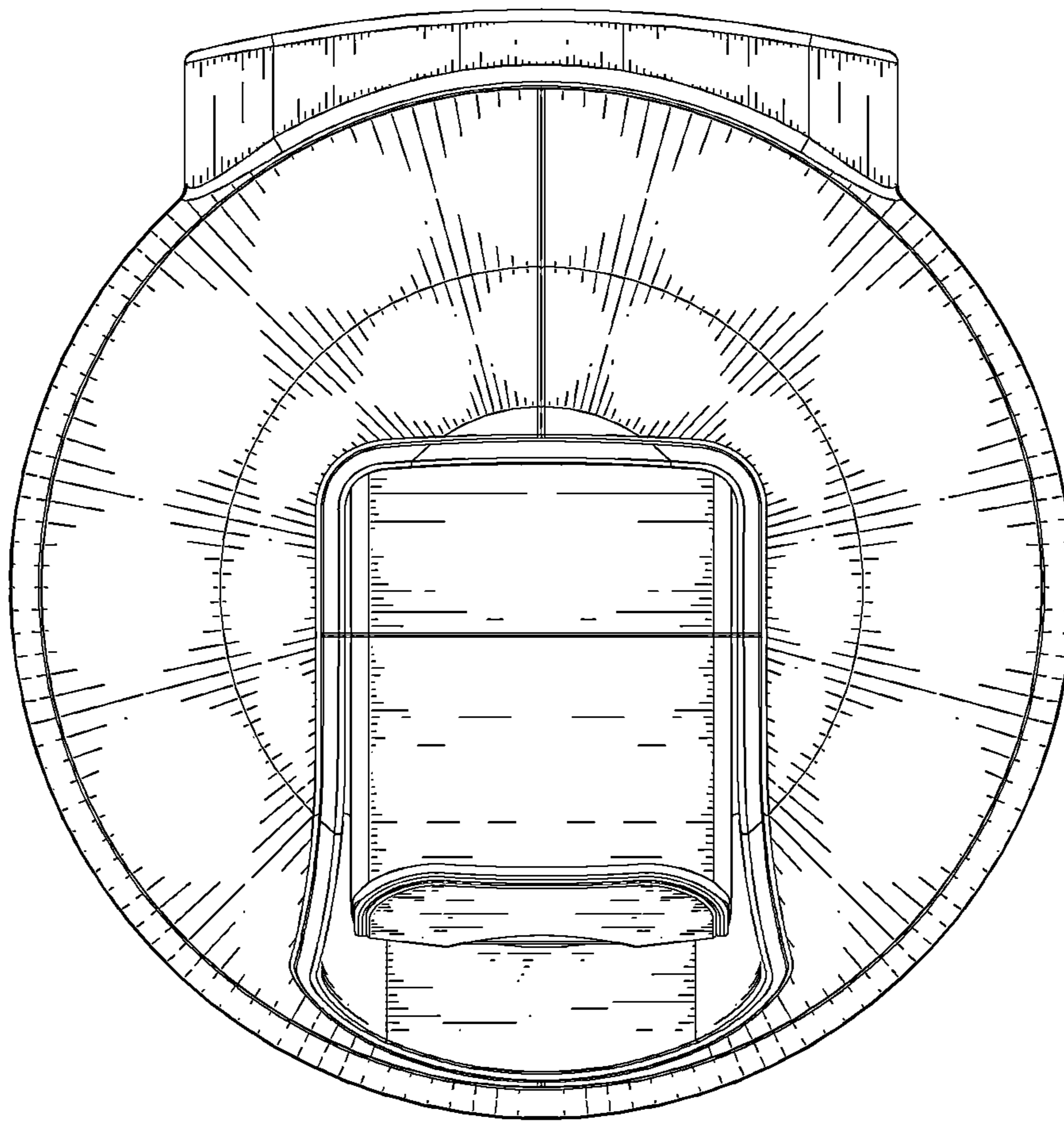


FIG. 7

