



US00D741385S

(12) **United States Design Patent**  
**Evans et al.**

(10) **Patent No.:** **US D741,385 S**  
(45) **Date of Patent:** **\*\* Oct. 20, 2015**

(54) **SIDE PLATE DESIGN FOR A PORTABLE WELDING SYSTEM**

(71) Applicant: **ESAB AB**, Gothenburg (SE)

(72) Inventors: **Daryll Scott Evans**, Winchester, VA (US); **Mark Lowther**, Warrington (GB); **Cristiano Magalhães Campos Ferreira**, Belo Horizonte (BR)

(73) Assignee: **The ESAB Group, Inc.**, Florence, SC (US)

(\*\*) Term: **14 Years**

(21) Appl. No.: **29/508,566**

(22) Filed: **Nov. 7, 2014**

(51) **LOC (10) Cl.** ..... **15-09**

(52) **U.S. Cl.**  
USPC ..... **D15/144**

(58) **Field of Classification Search**  
USPC ..... D8/29.1, 30; D15/144, 144.1, 144.2  
See application file for complete search history.

(56) **References Cited**

**U.S. PATENT DOCUMENTS**

D275,292 S *	8/1984	Bouman	.....	D15/144
D275,293 S *	8/1984	Bouman	.....	D15/144
D280,329 S *	8/1985	Bouman	.....	D15/144
D357,263 S *	4/1995	Soderholm	.....	D15/144.2
D357,927 S *	5/1995	Soderholm	.....	D15/144.1
D454,578 S *	3/2002	Armbruster	.....	D15/144
D467,257 S *	12/2002	Andersson	.....	D15/144
D489,741 S *	5/2004	Calco	.....	D15/144
D518,078 S *	3/2006	Persson	.....	D15/144.1
D520,038 S *	5/2006	Ljungfeldt	.....	D15/144.1
D527,402 S *	8/2006	Loch	.....	D15/144.2
D569,883 S *	5/2008	Wang	.....	D15/144

D569,884 S *	5/2008	Shu	.....	D15/144
D621,430 S *	8/2010	Christen	.....	D15/144
D623,205 S *	9/2010	Flattinger	.....	D15/144
D626,576 S *	11/2010	Gramatyka	.....	D15/144
D629,028 S *	12/2010	Johnson	.....	D15/144
D642,604 S *	8/2011	Rohrer	.....	D15/144
D652,436 S *	1/2012	Ostlund	.....	D15/144
D654,519 S *	2/2012	Wujczak	.....	D15/144
D654,521 S *	2/2012	Flubacher	.....	D15/144
D665,434 S *	8/2012	Mueller	.....	D15/144
D665,833 S *	8/2012	Raymond	.....	D15/144
D679,738 S *	4/2013	Segala	.....	D15/144
2004/0182845 A1 *	9/2004	Crisler, III	.....	B23K 9/1006 219/130.1
2009/0277882 A1 *	11/2009	Bornemann	.....	B23K 10/00 219/121.39
2014/0238965 A1 *	8/2014	Spisic	.....	B23K 9/1087 219/132

\* cited by examiner

*Primary Examiner* — Patricia Palasik

(74) *Attorney, Agent, or Firm* — Kacvinsky Daisak Bluni PLLC

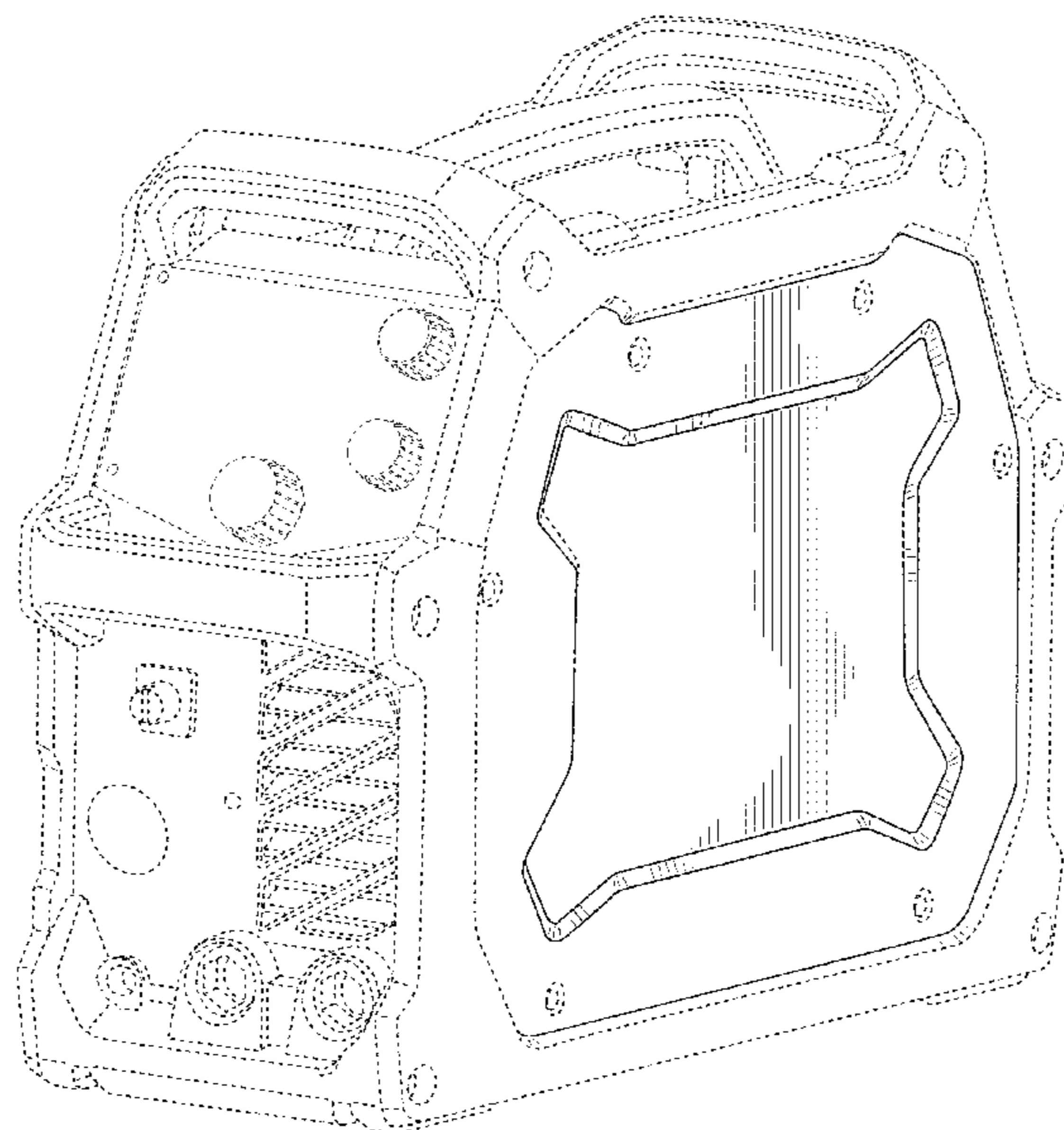
(57) **CLAIM**

The ornamental design for a side plate design for a portable welding system, substantially as shown and described.

**DESCRIPTION**

FIG. 1 is an isometric view of our new design;  
FIG. 2 is a first side view of the design of FIG. 1;  
FIG. 3 is a second side view of the design of FIG. 1;  
FIG. 4 is a top view of the design of FIG. 1;  
FIG. 5 is a bottom view of the design of FIG. 1;  
FIG. 6 is a front end view of the design of FIG. 1; and,  
FIG. 7 is a rear end view of the design of FIG. 1.  
The broken lines illustrate the environmental structure and form no part of the claimed design.

**1 Claim, 7 Drawing Sheets**



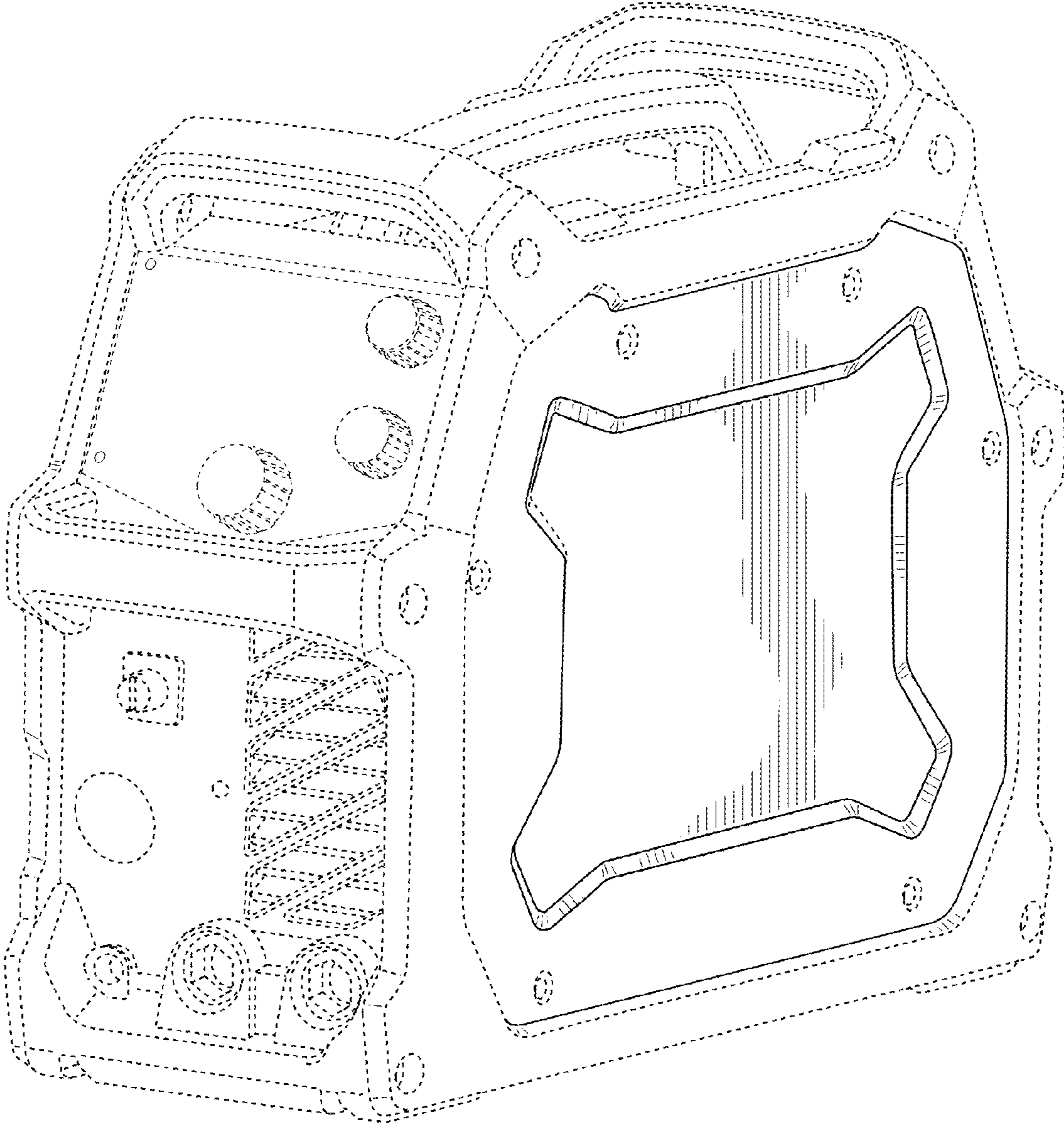


FIG. 1

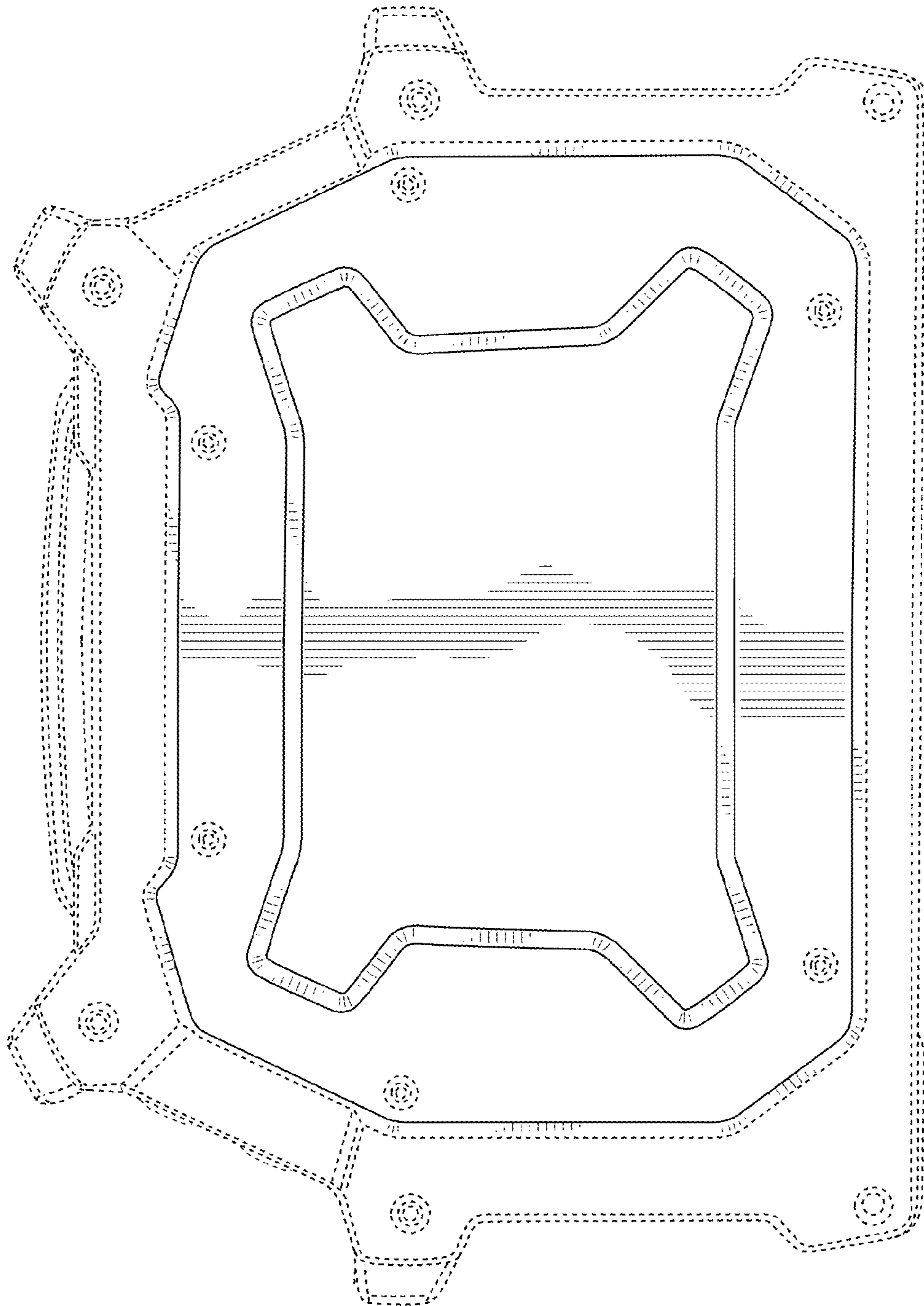


FIG. 2

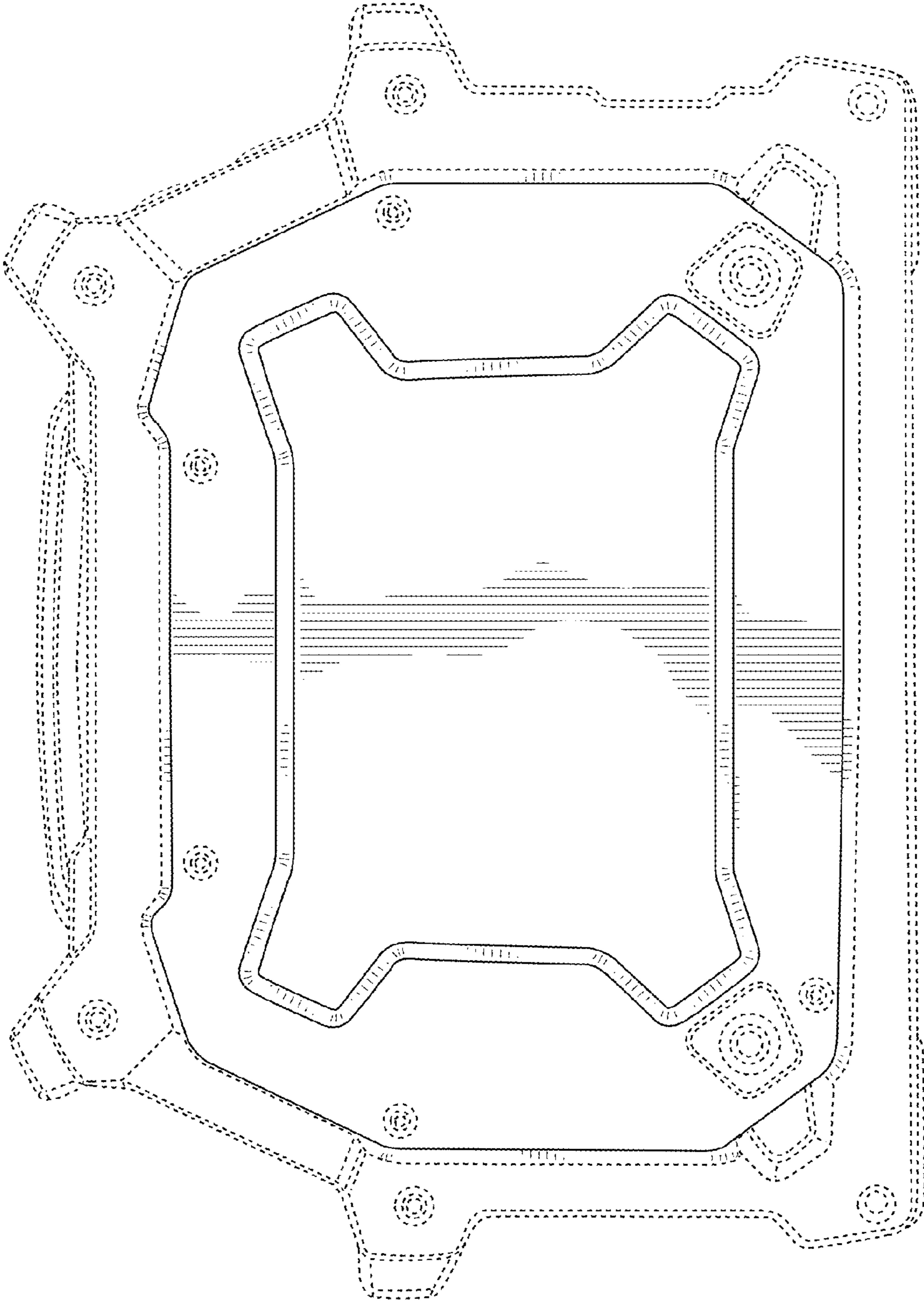


FIG. 3



FIG. 4

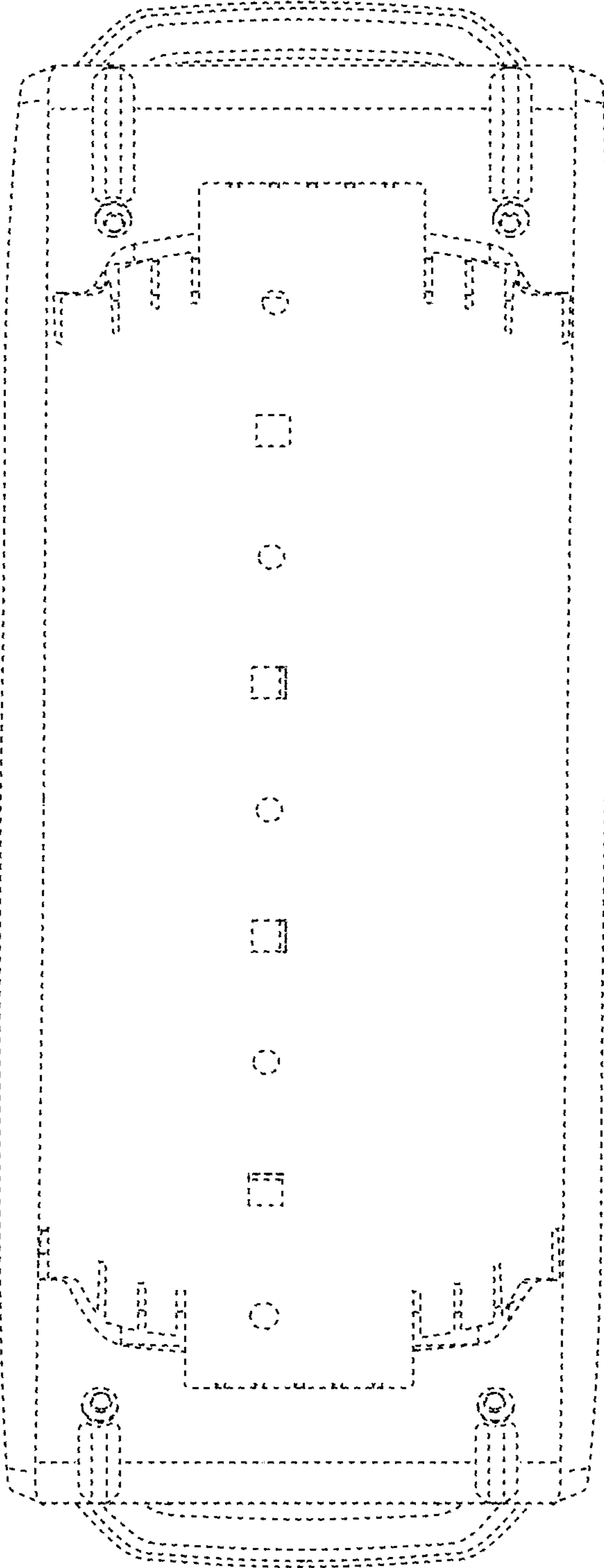


FIG. 5

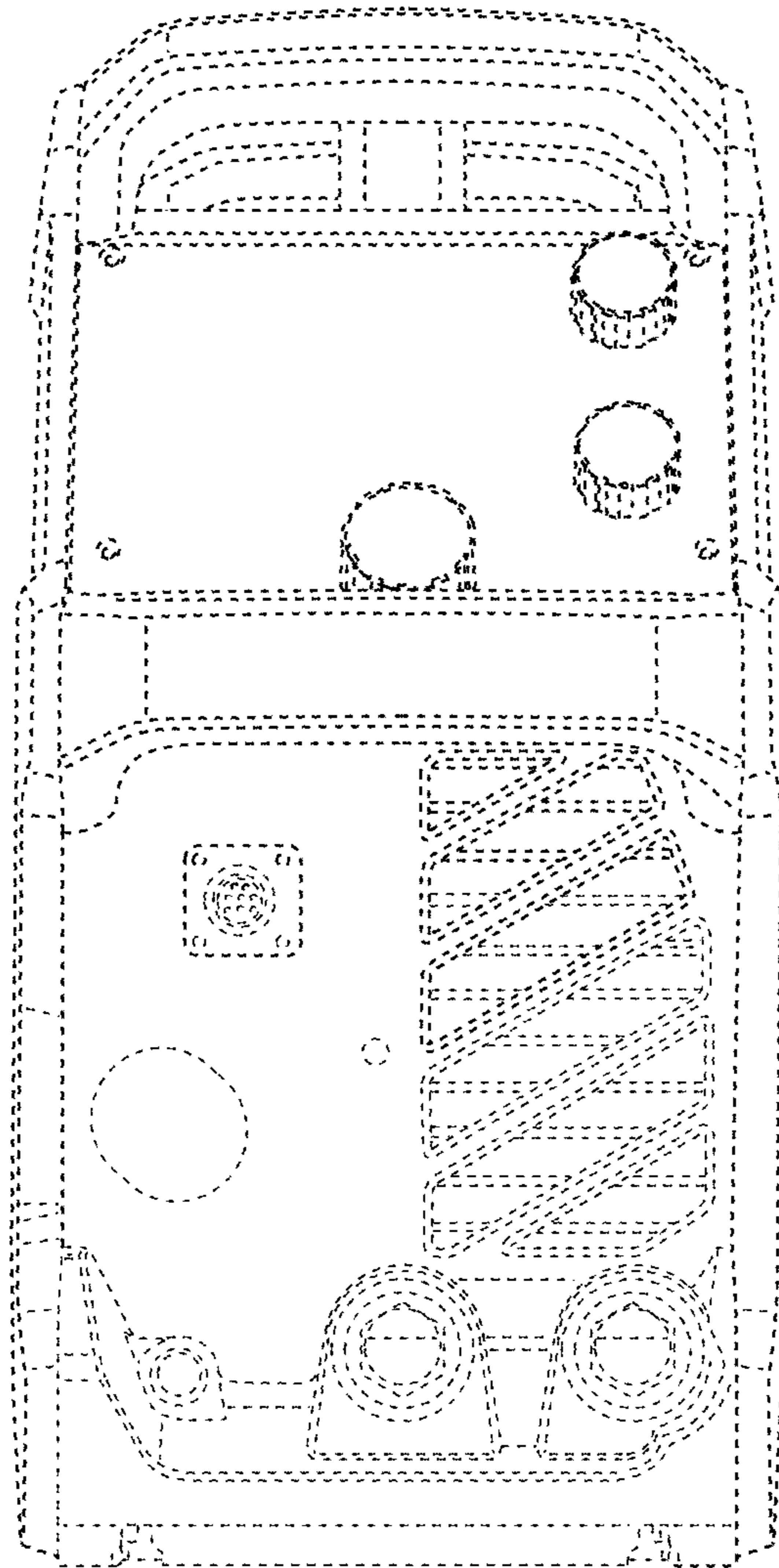
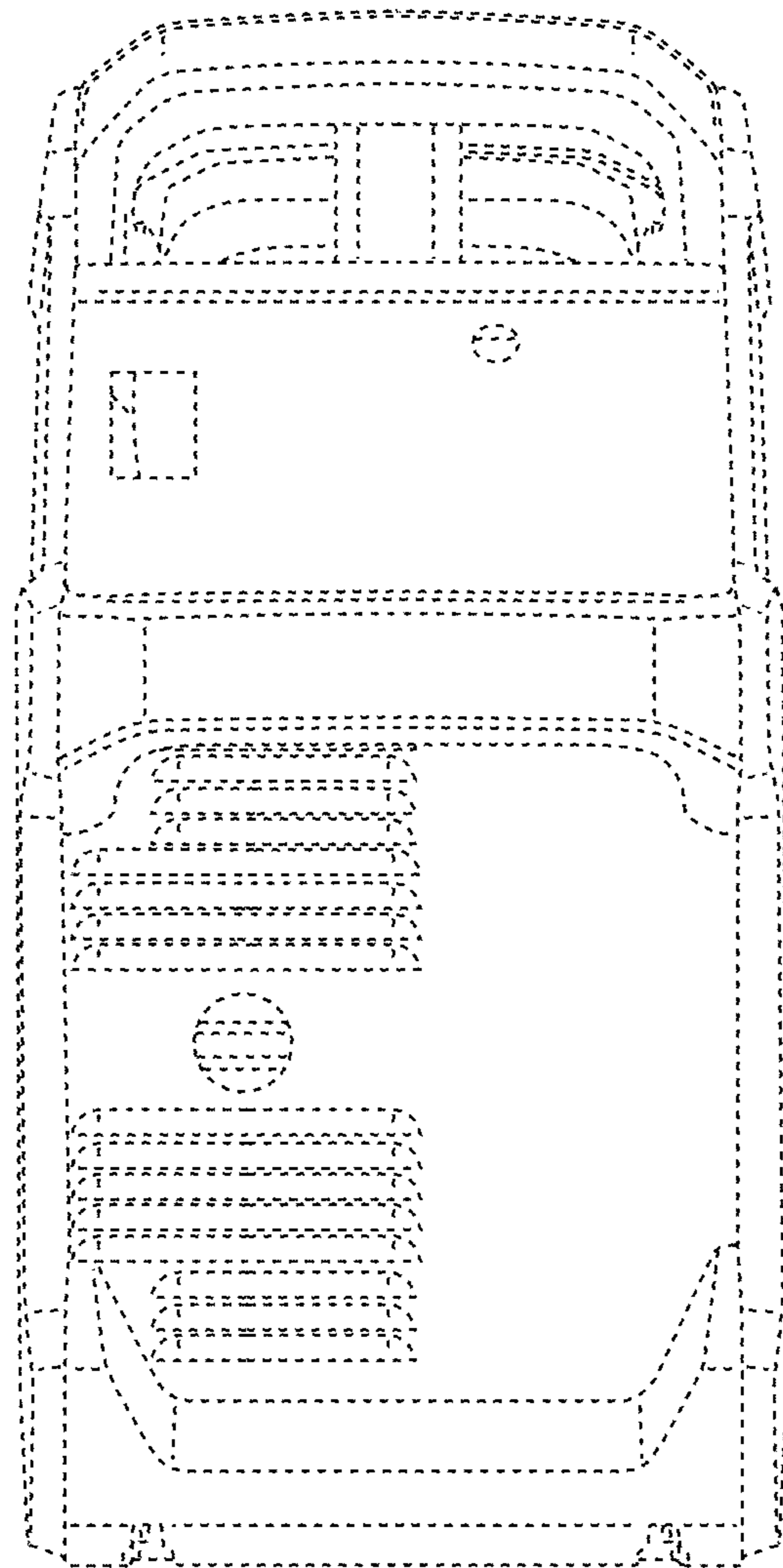


FIG. 6



**FIG. 7**