



US00D741382S

(12) **United States Design Patent**  
**Ogg et al.**

(10) **Patent No.:** **US D741,382 S**  
(45) **Date of Patent:** **\*\* Oct. 20, 2015**

(54) **REFRIGERATOR HAVING AIR CLEANER**

(56) **References Cited**

(71) Applicant: **LG Electronics Inc.**, Seoul (KR)

U.S. PATENT DOCUMENTS

(72) Inventors: **Anthony Ogg**, Fort Lee, NJ (US);  
**Jaesang Lee**, Ridgefield, NJ (US)

D648,013	S	*	11/2011	Baek et al.	.....	D23/351
D674,068	S	*	1/2013	Baek et al.	.....	D23/351
D676,119	S	*	2/2013	Baek et al.	.....	D23/351
D705,919	S	*	5/2014	Park et al.	.....	D23/364
D724,629	S	*	3/2015	Choi et al.	.....	D15/85
D726,233	S	*	4/2015	Cho et al.	.....	D15/86

(73) Assignee: **LG Electronics Inc.**, Seoul (KR)

(\*\*) Term: **14 Years**

\* cited by examiner

(21) Appl. No.: **29/500,914**

*Primary Examiner* — Daniel Bui

(22) Filed: **Aug. 29, 2014**

*Assistant Examiner* — Khawaja Anwar

(51) **LOC (10) Cl.** ..... **15-07**

(74) *Attorney, Agent, or Firm* — Morgan, Lewis & Bockius LLP

(52) **U.S. Cl.**  
USPC ..... **D15/89**

(57) **CLAIM**

(58) **Field of Classification Search**  
USPC ..... D15/79-91; D23/351, 364  
CPC ..... F25B 21/02; F25B 2321/02; F25B 1/005;  
F25B 2321/0252; F25B 1/00; F25B 1/10;  
F25B 21/04; F25B 2339/047; F25B 5/02;  
F25B 7/00; F25B 13/00; F25B 1/053; F25B  
2309/06; F25B 2321/021; F25B 2321/023;  
F25D 23/028; F25D 23/02; F25D 25/025;  
F25D 23/00; F25D 2323/021; F25D 11/00;  
F25D 2323/024; F25D 23/04; F25D 29/00;  
F25D 25/02; F25D 25/024; F25D 27/005;  
F25D 23/12; F25D 29/005; F25D 17/042;  
F25D 2325/021

The ornamental design for a refrigerator having air cleaner, as shown and described.

**DESCRIPTION**

FIG. 1 is a front, left side, perspective view of a refrigerator having air cleaner showing our new design;  
FIG. 2 is a front view thereof;  
FIG. 3 is a rear view thereof;  
FIG. 4 is a left side view thereof; and,  
FIG. 5 is a right side view thereof.  
The broken lines indicate unclaimed portion of the article that form no part of the claimed design.

See application file for complete search history.

**1 Claim, 5 Drawing Sheets**

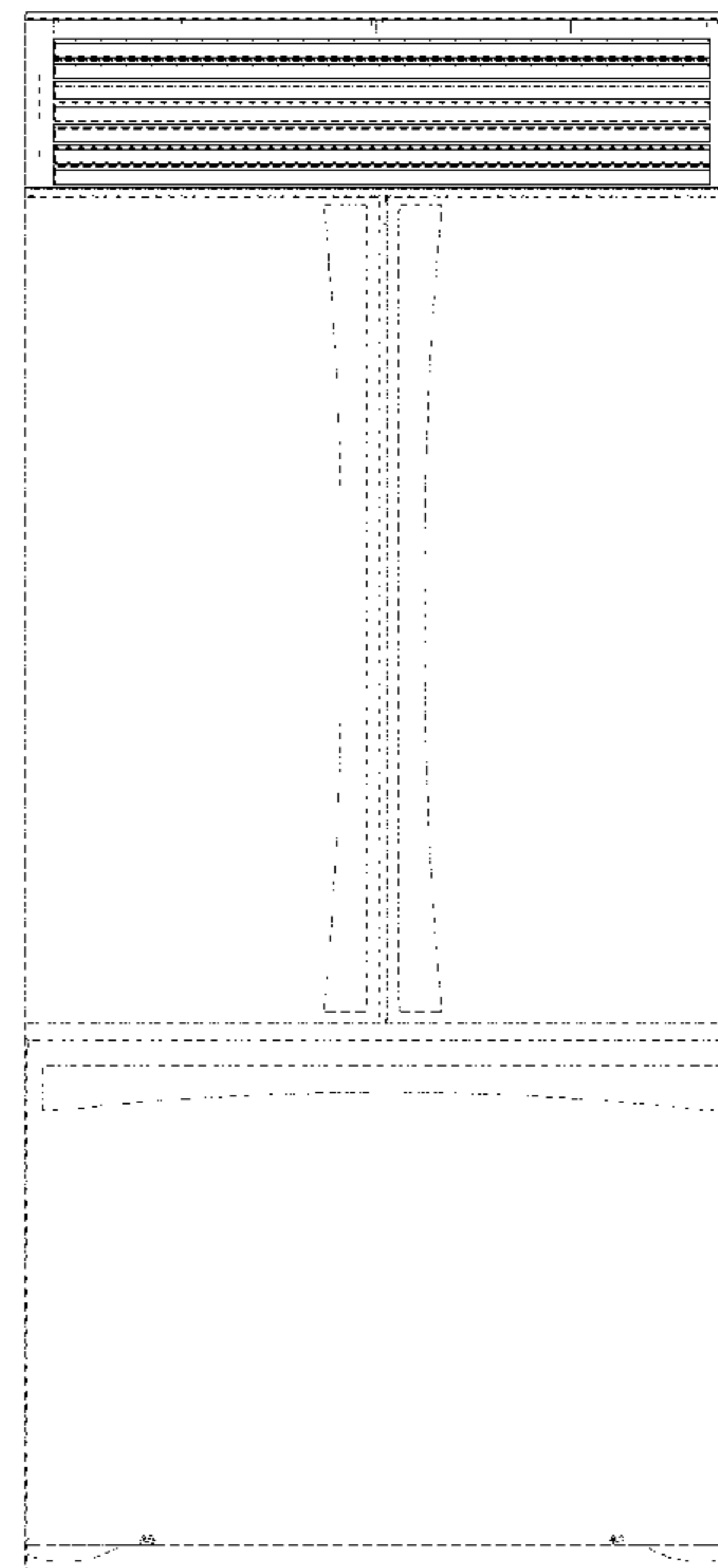
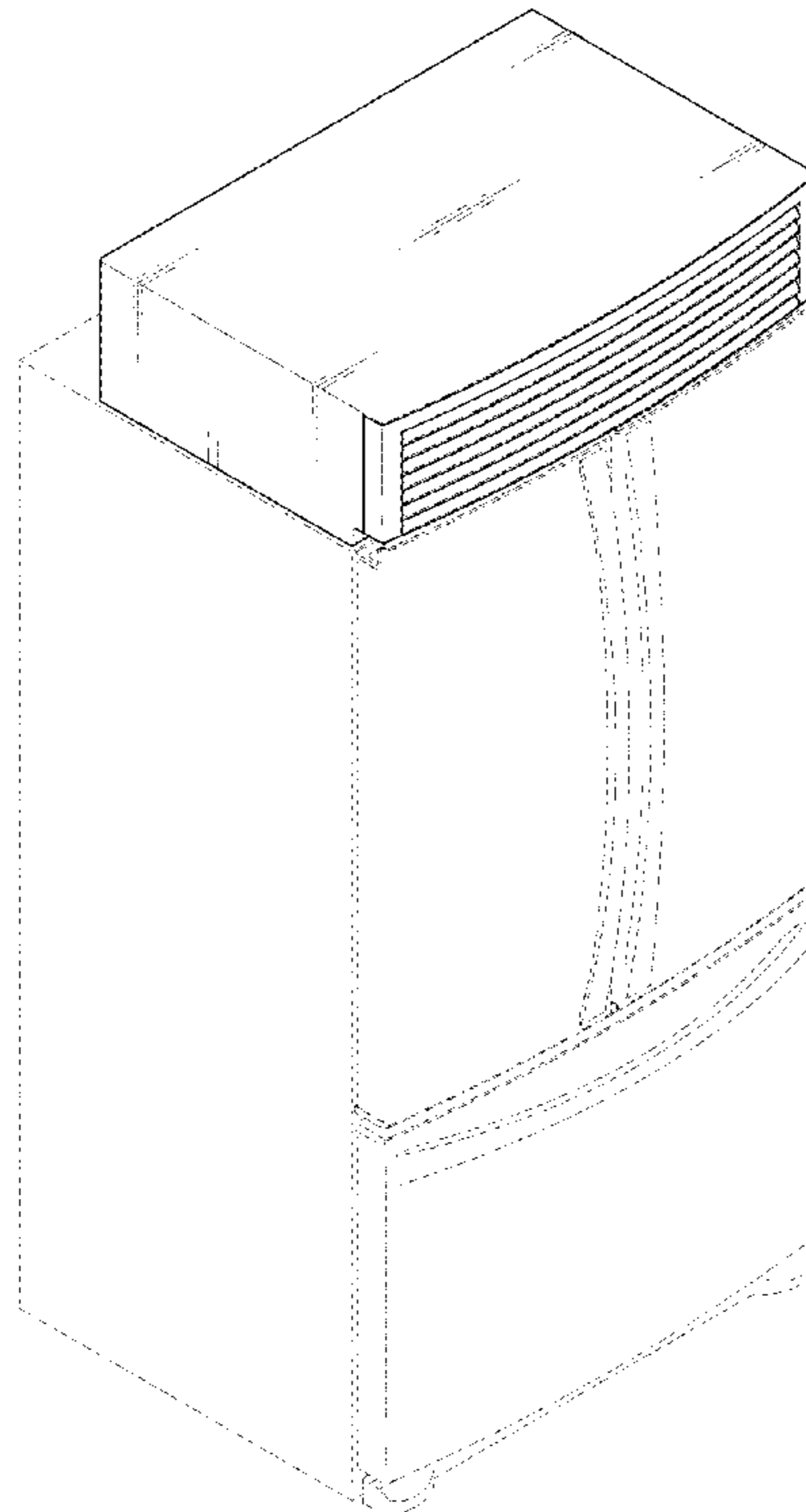


FIG. 1

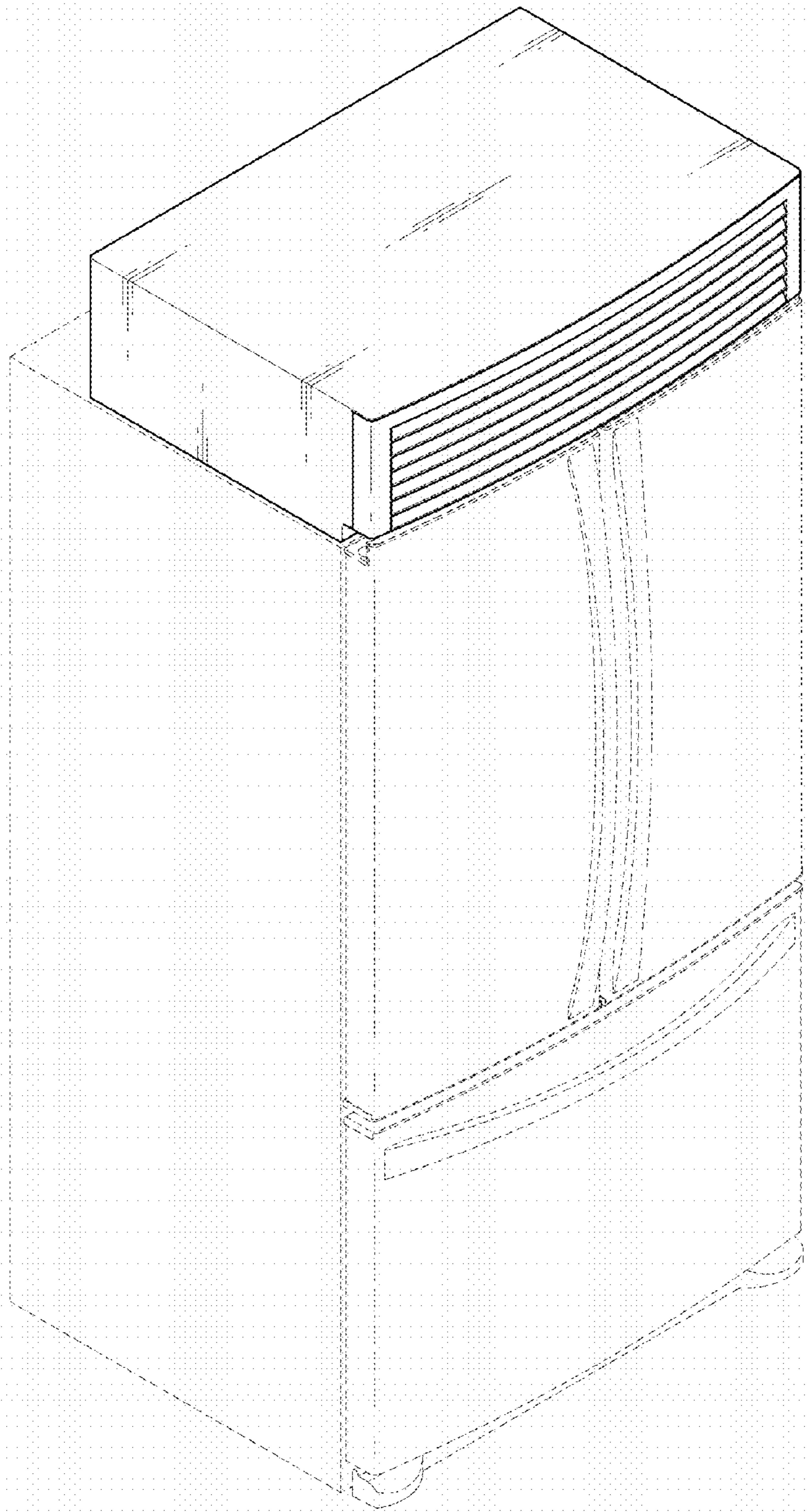


FIG. 2

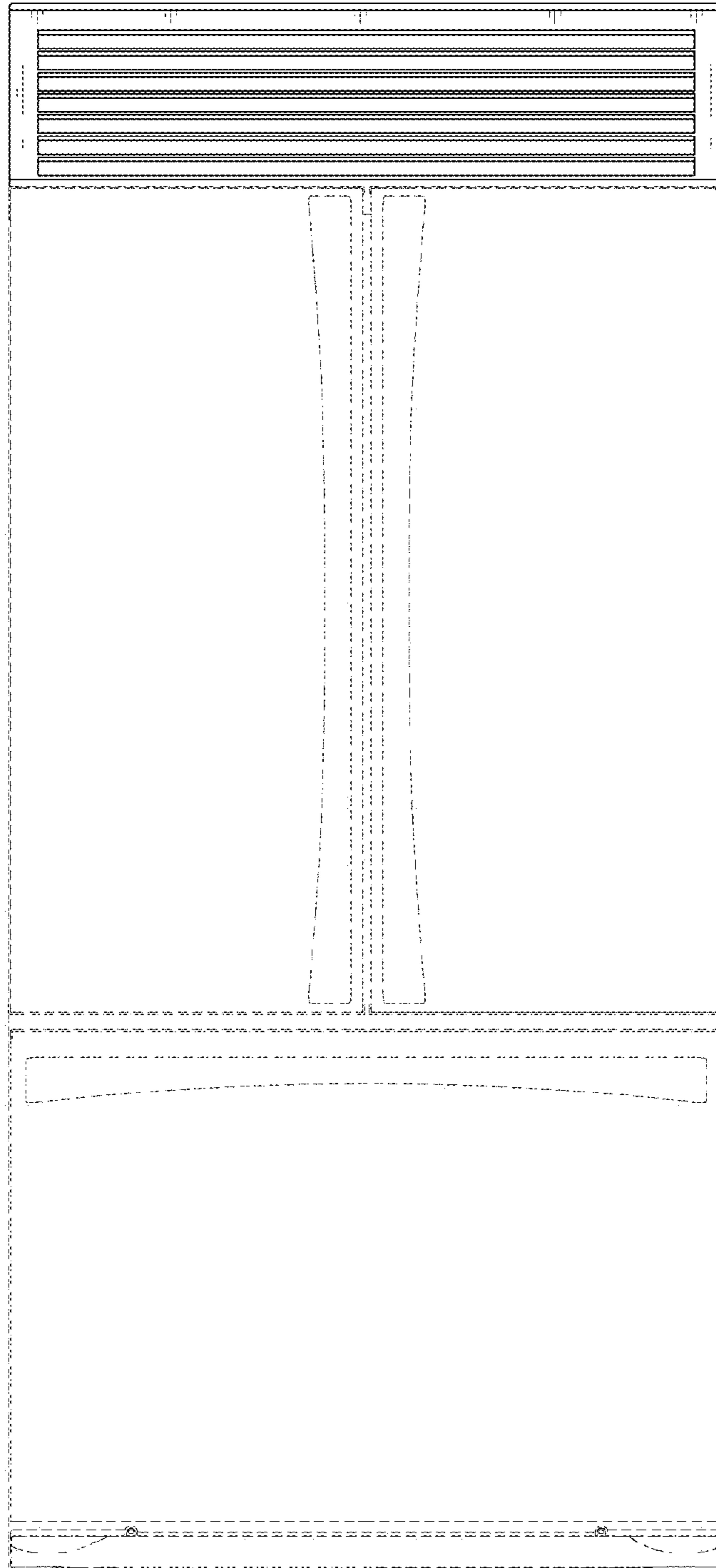


FIG. 3



FIG. 4

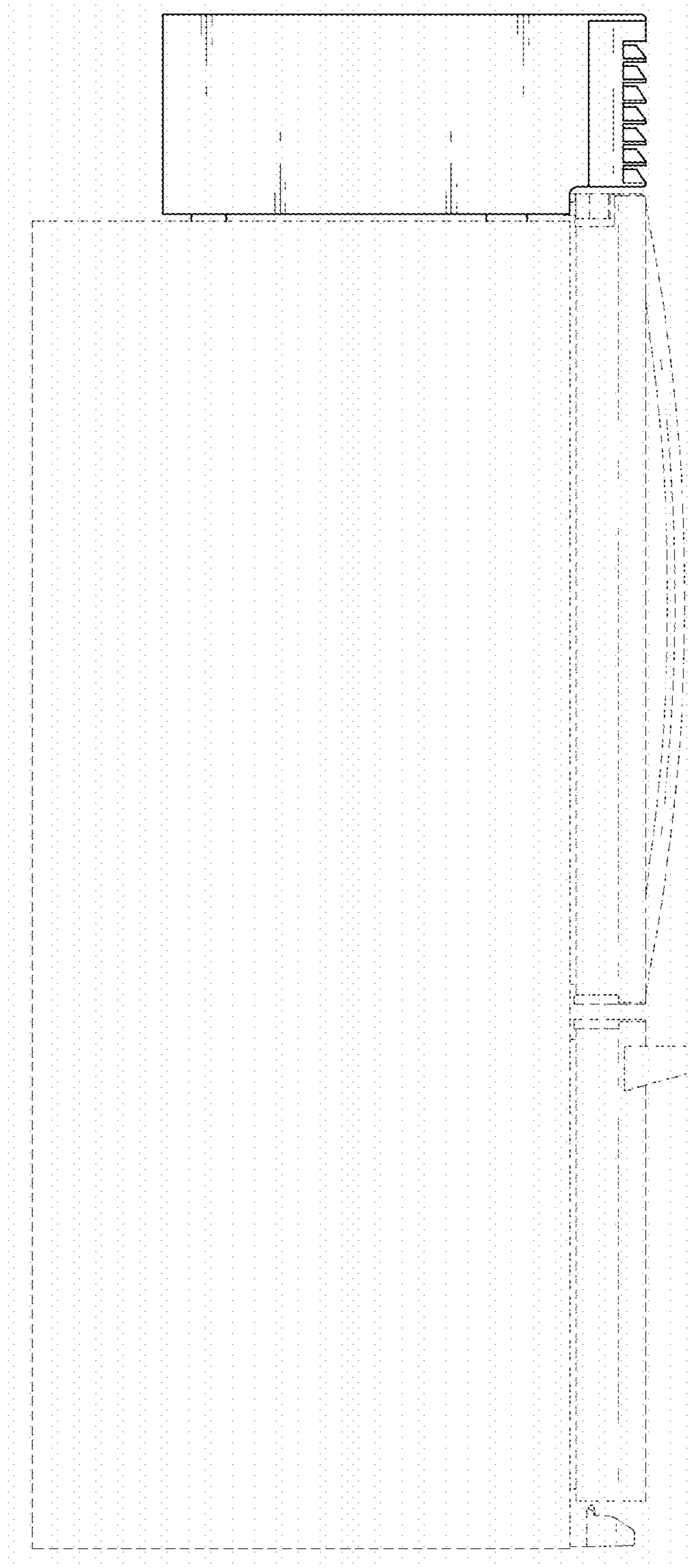


FIG. 5

