



US00D741379S

(12) **United States Design Patent**
Esarey

(10) **Patent No.:** **US D741,379 S**

(45) **Date of Patent:** **** Oct. 20, 2015**

(54) **SPHERICAL ICE CREAM MAKER**

(71) Applicant: **Industrial Revolution, Inc.**, Tukwila, WA (US)

(72) Inventor: **Graeme Esarey**, Seattle, WA (US)

(73) Assignee: **Industrial Revolution, Inc.**, Tukwila, WA (US)

(**) Term: **14 Years**

(21) Appl. No.: **29/485,105**

(22) Filed: **Mar. 14, 2014**

(51) **LOC (10) Cl.** **15-07**

(52) **U.S. Cl.**
USPC **D15/82**

(58) **Field of Classification Search**

USPC D15/79, 80, 81, 82, 89, 90
CPC F25B 21/02; F25B 2321/02; F25B 1/005;
F25B 2321/0252; F25B 1/00; F25B 1/10;
F25B 21/04; F25B 2339/047; F25B 5/02;
F25B 7/00; F25B 13/00; F25B 1/053; F25B
2309/06; F25B 2321/021; F25B 2321/023;
F25D 23/028; F25D 23/02; F25D 25/025;
F25D 23/00; F25D 2323/021; F25D 11/00;
F25D 2323/024; F25D 29/00; F25D 25/02;
F25D 25/024; F25D 27/005; F25D 23/12;
F25D 29/005; F25D 17/042; F25D 2325/021

See application file for complete search history.

(56) **References Cited**

U.S. PATENT DOCUMENTS

D394,441 S *	5/1998	Leverrier	D15/82
D617,352 S *	6/2010	Pryor et al.	D15/82
D681,073 S *	4/2013	Kilduff	D15/82
D711,932 S *	8/2014	Kilduff et al.	D15/82

* cited by examiner

Primary Examiner — Daniel Bui

Assistant Examiner — Khawaja Anwar

(74) *Attorney, Agent, or Firm* — DWC Law Firm, P.S.;
David Chen

(57) **CLAIM**

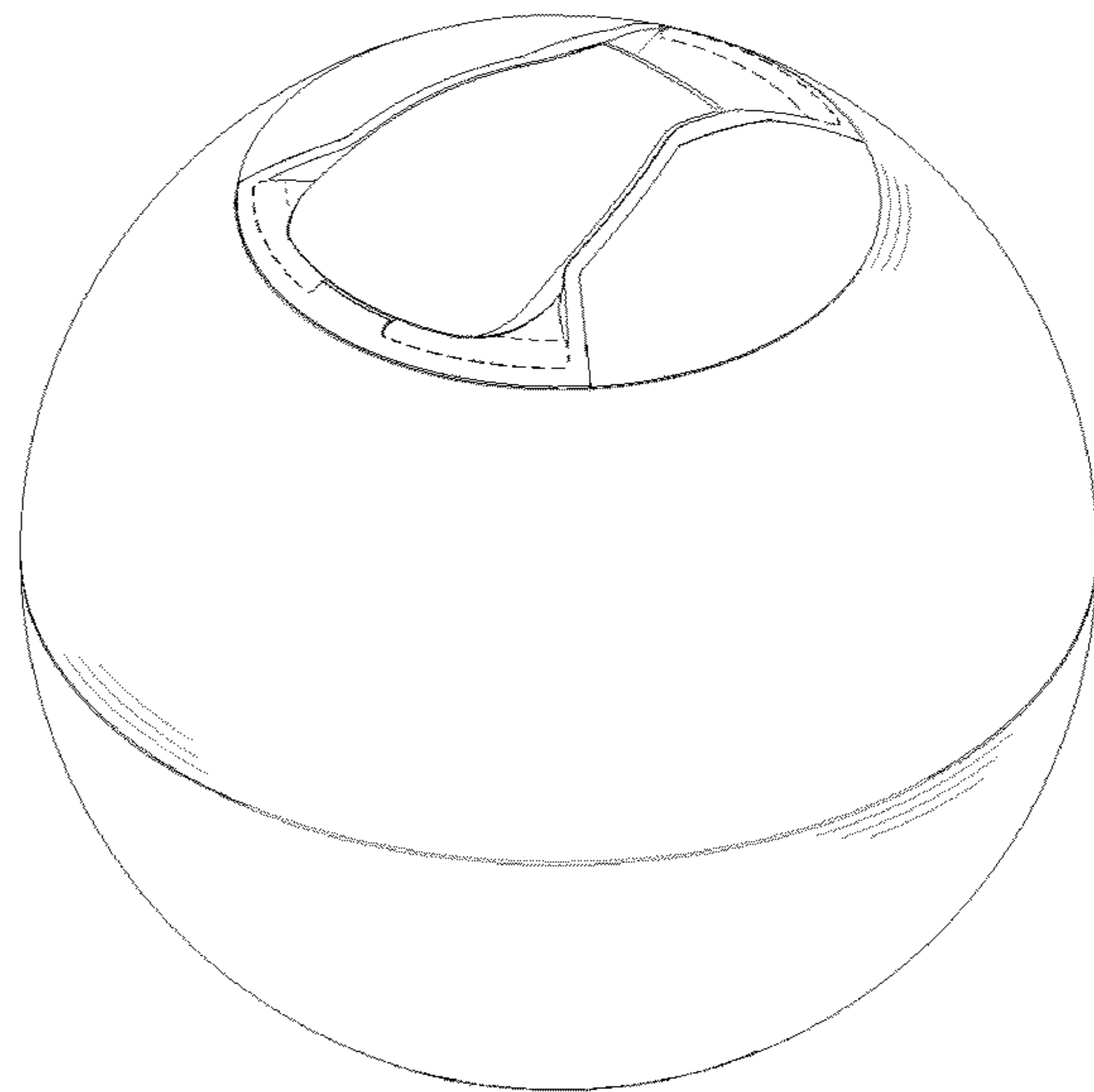
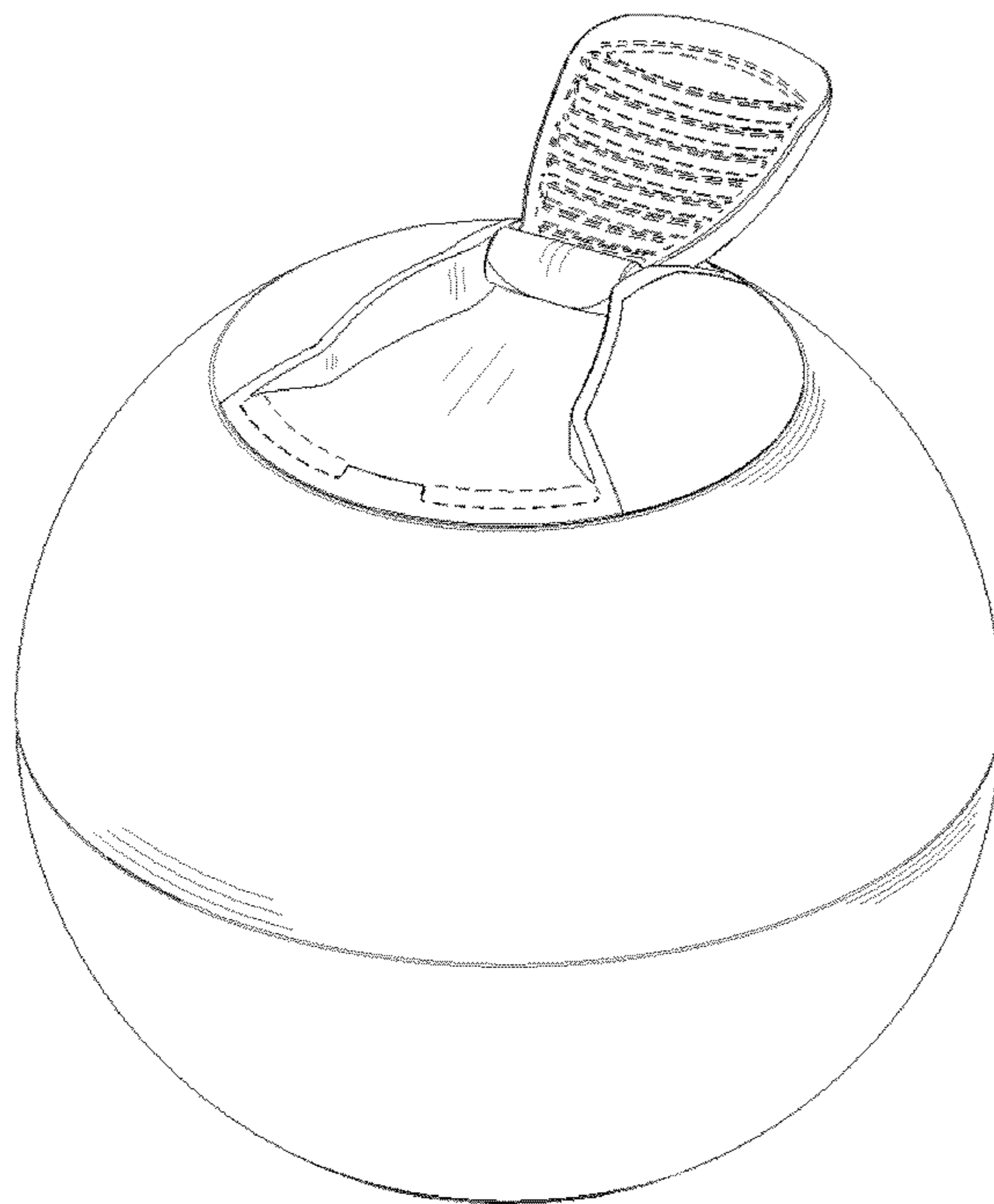
The ornamental design for a spherical ice cream maker, as shown and described.

DESCRIPTION

FIG. 1 is a perspective view of a spherical ice cream maker, in open position, showing my new design;
FIG. 2 is a perspective view thereof, in closed position;
FIG. 3 is a front elevation view thereof;
FIG. 4 is a back elevation view thereof;
FIG. 5 is a right side elevation view thereof;
FIG. 6 is a left side elevation view thereof;
FIG. 7 is a top plan view thereof; and,
FIG. 8 is a bottom plan view thereof.

The broken line in the figure drawings represents unclaimed environment only and forms no part of the claimed design.

1 Claim, 8 Drawing Sheets



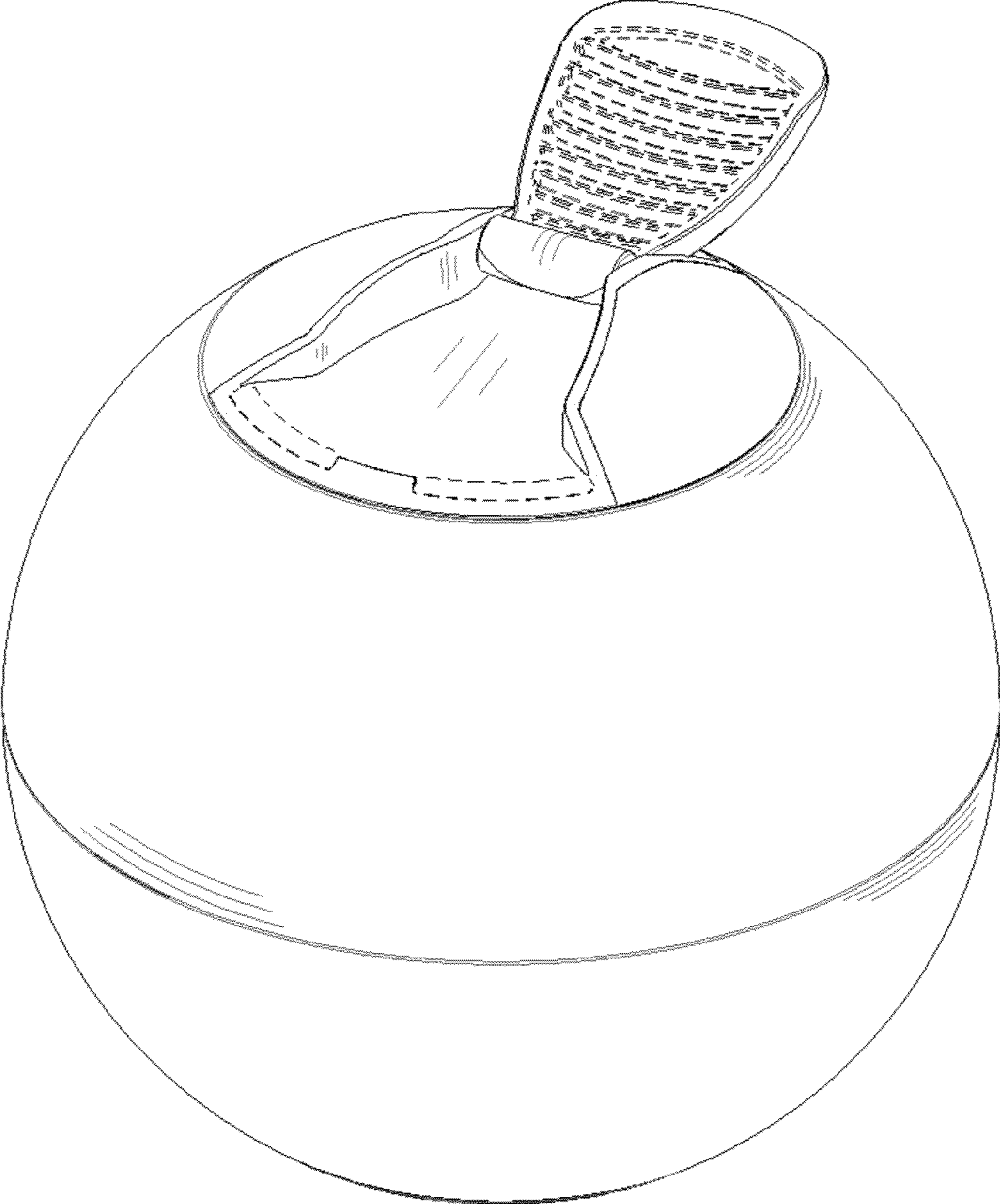


FIG. 1

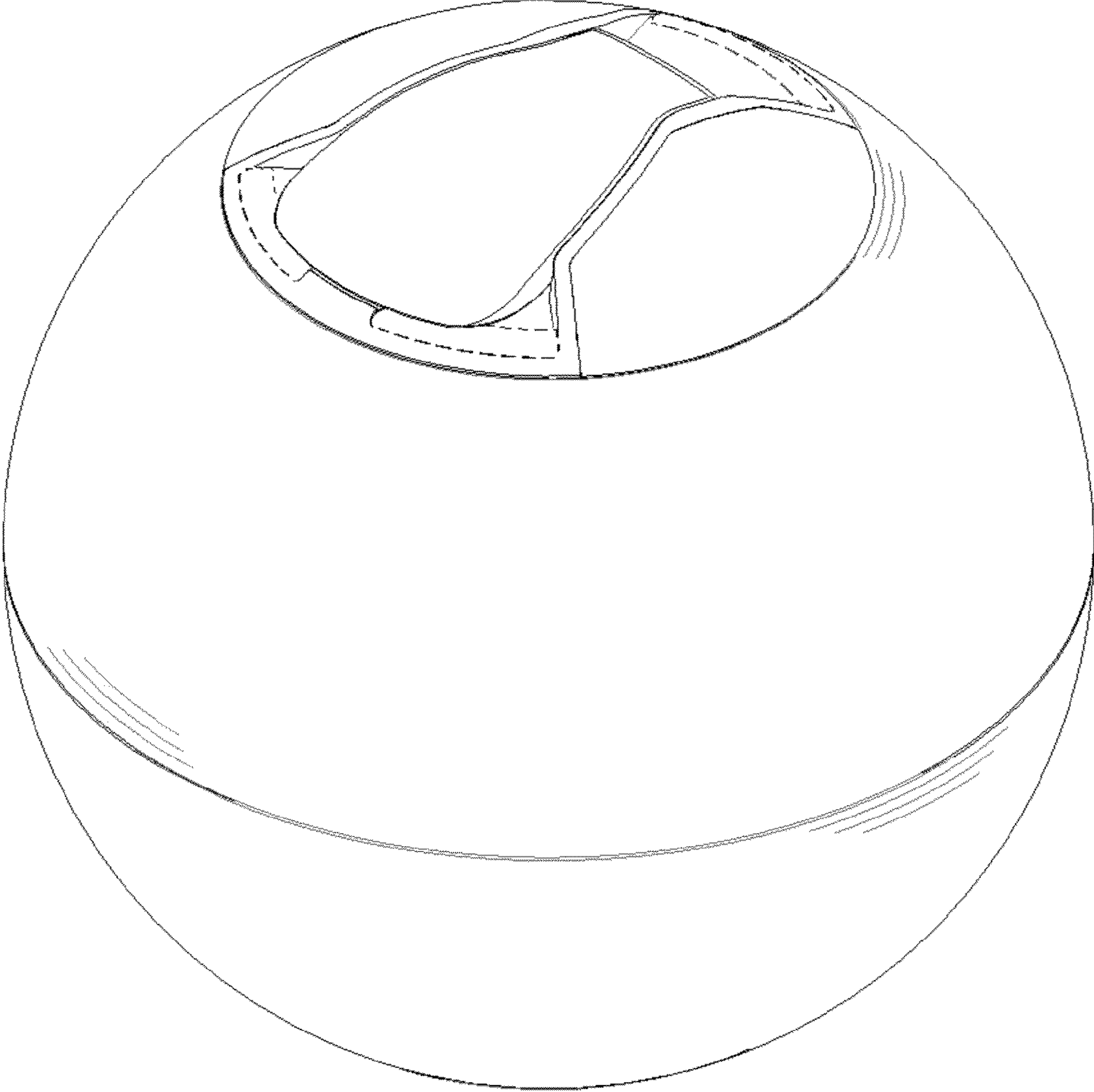


FIG. 2

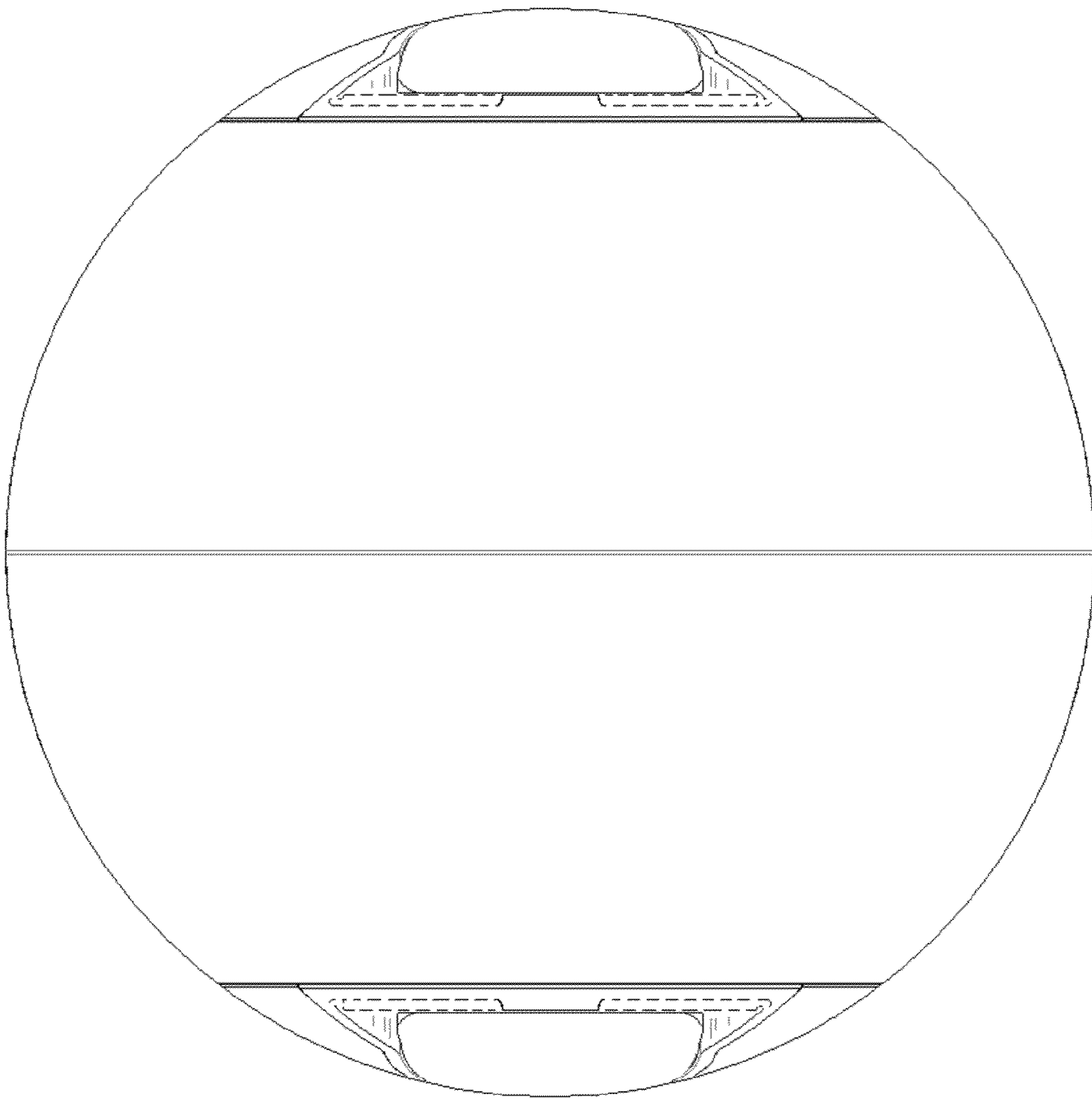


FIG. 3

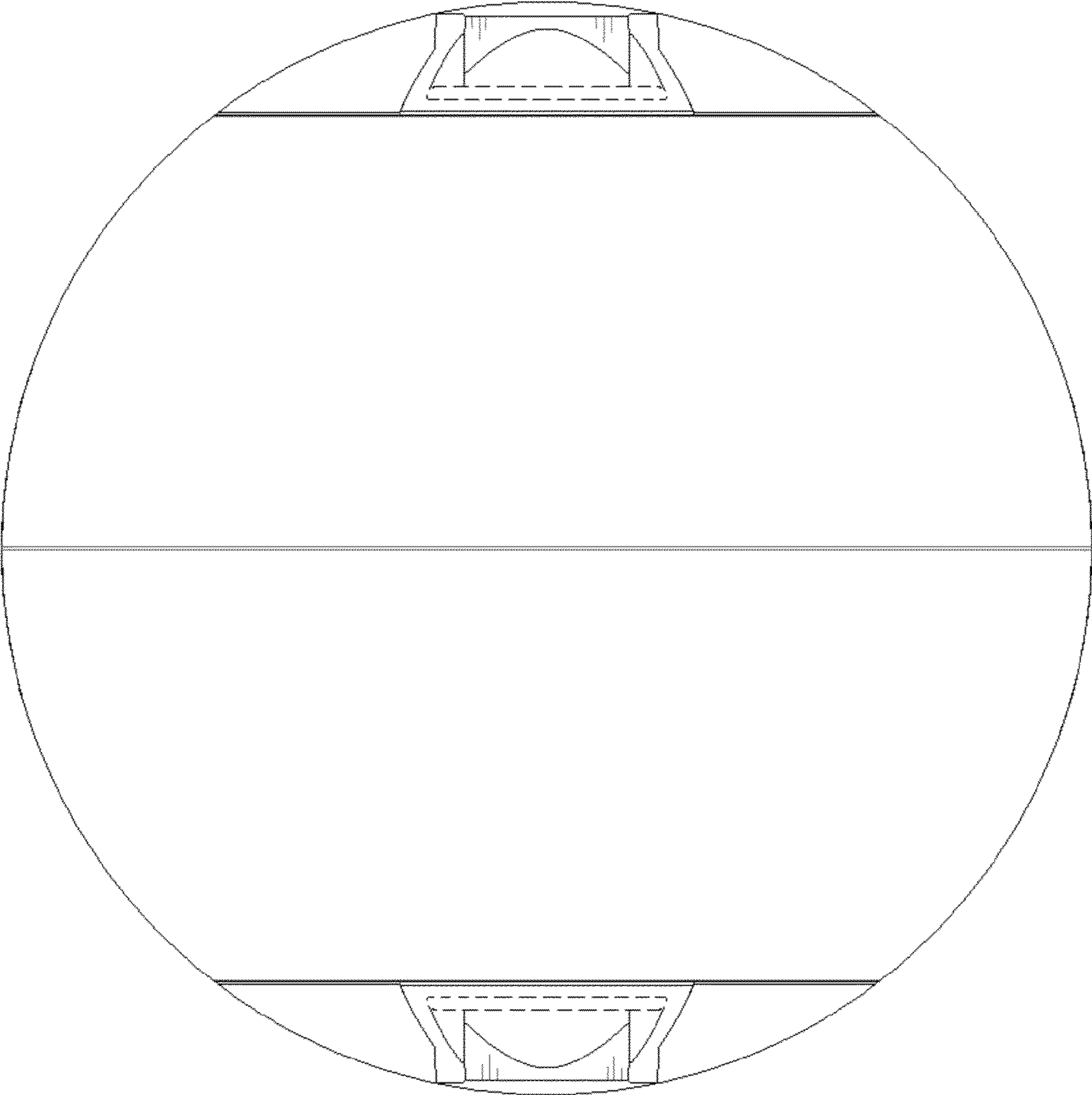


FIG. 4

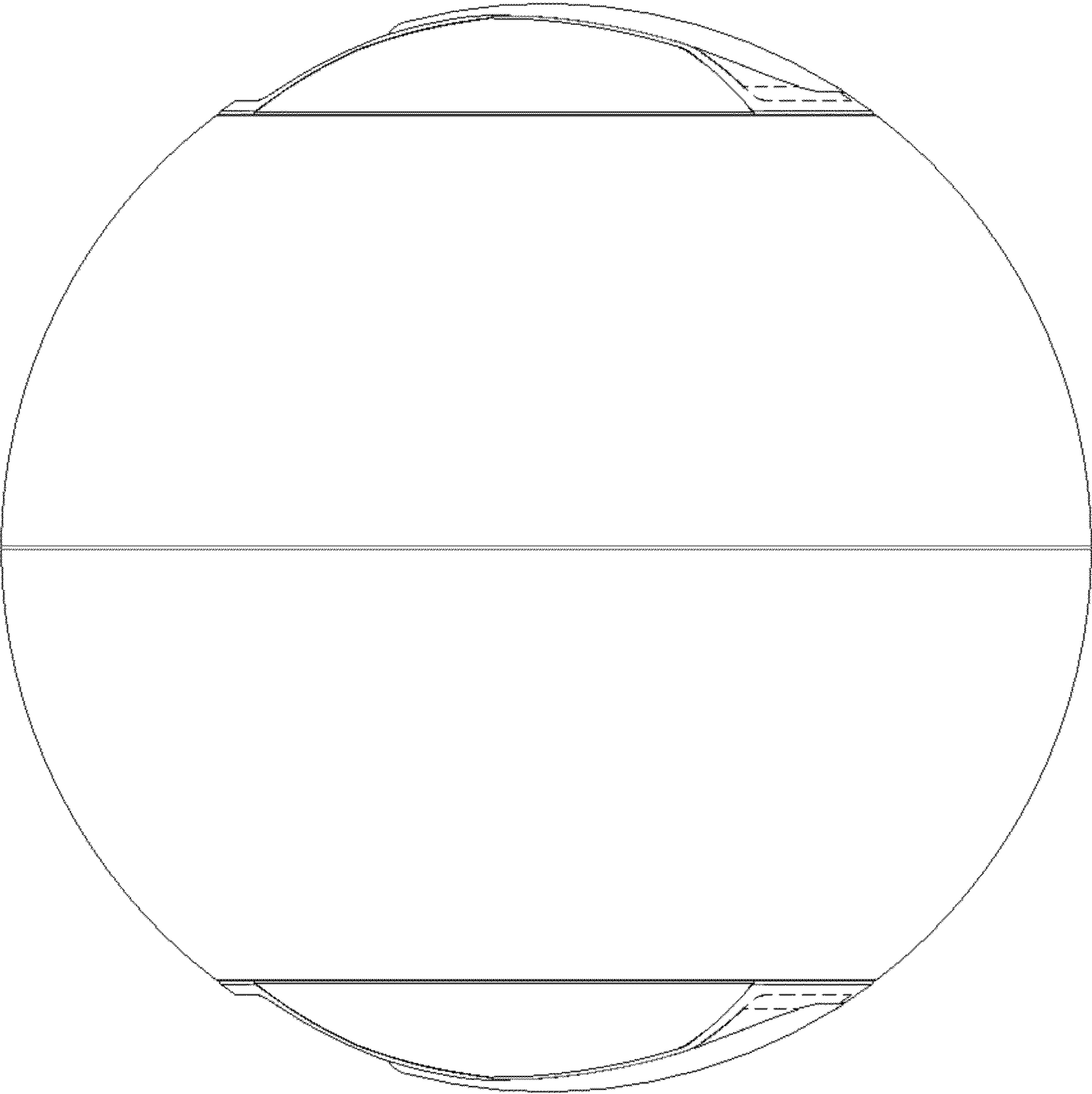


FIG. 5

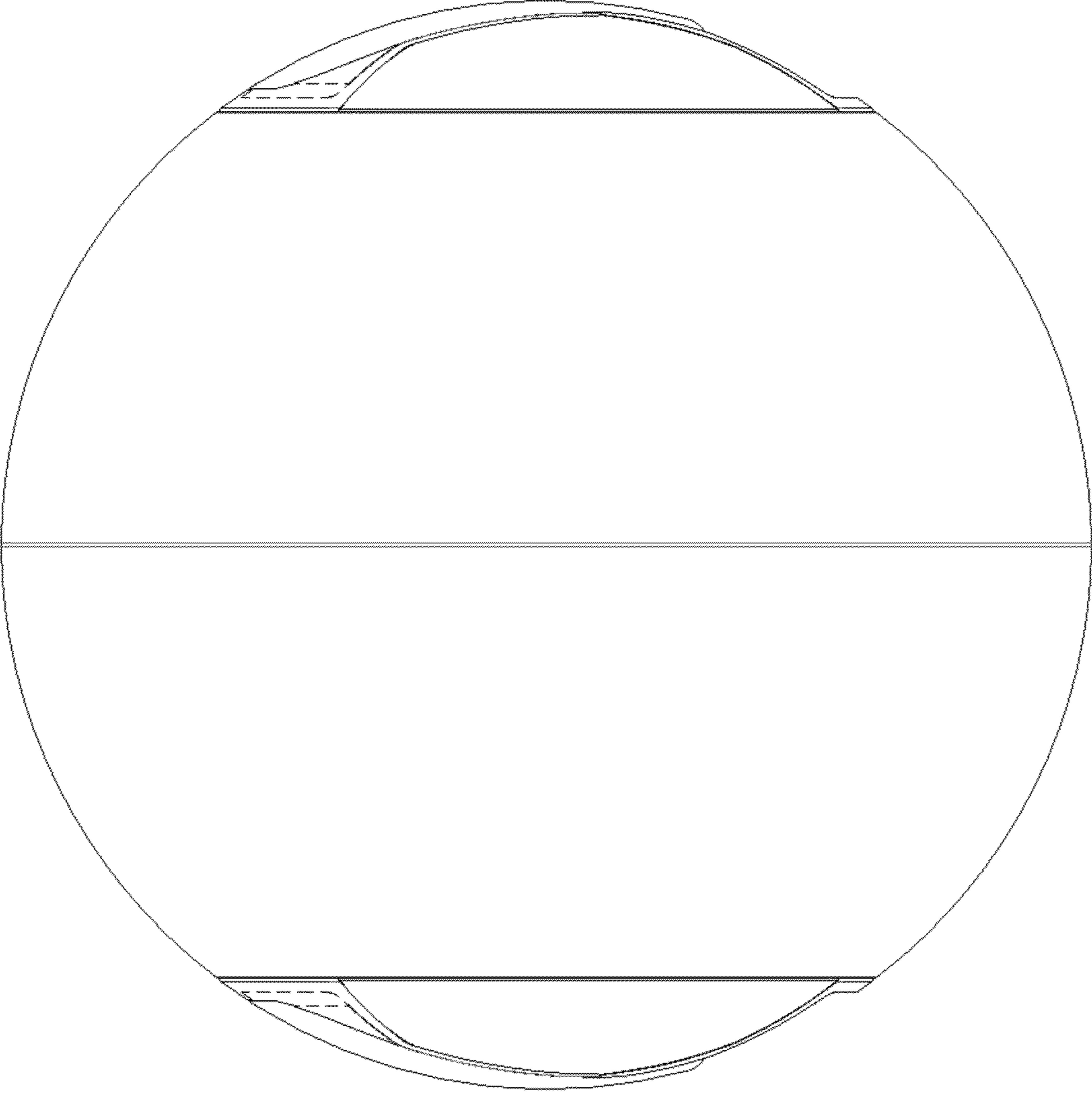


FIG. 6

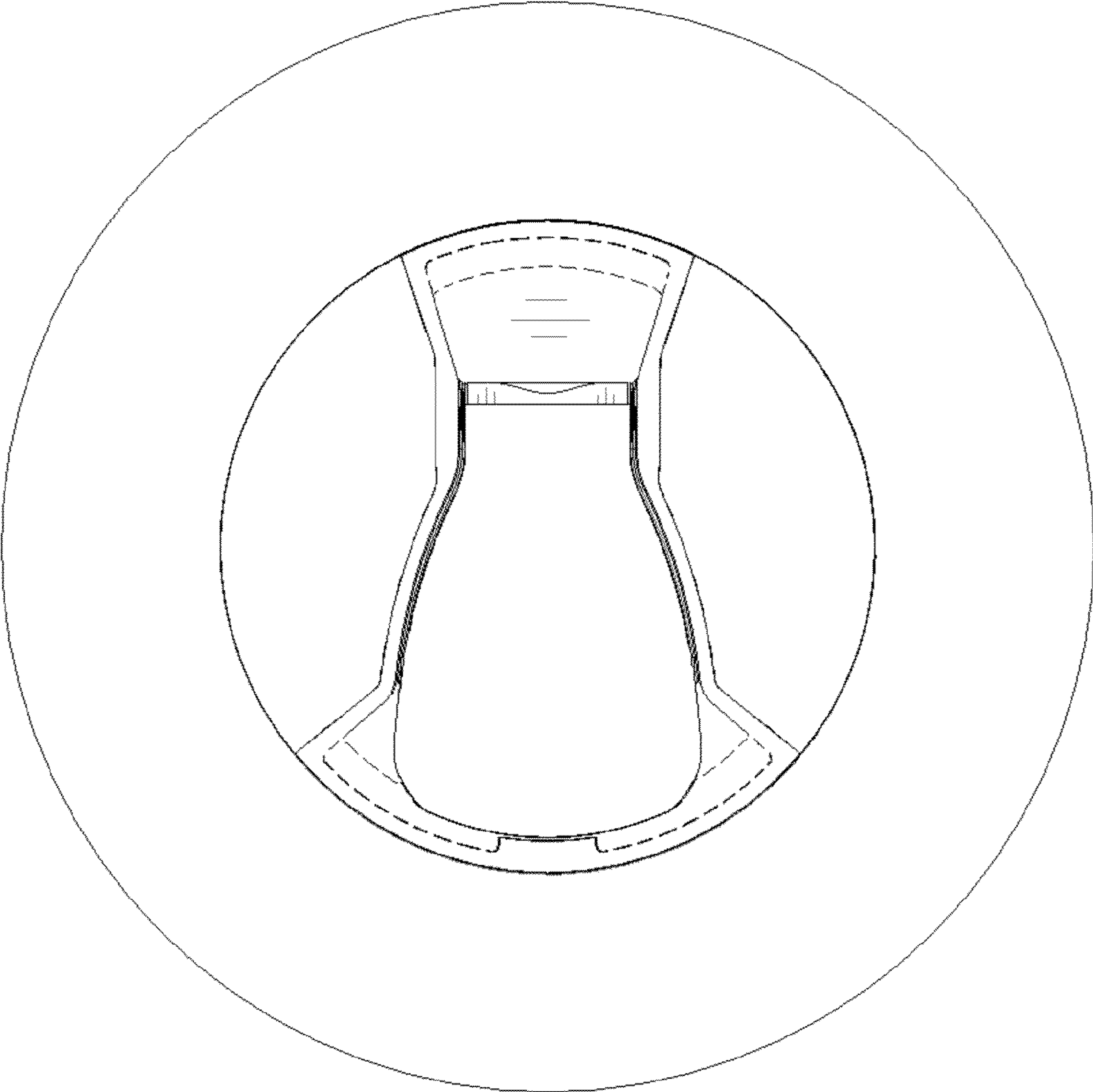


FIG. 7

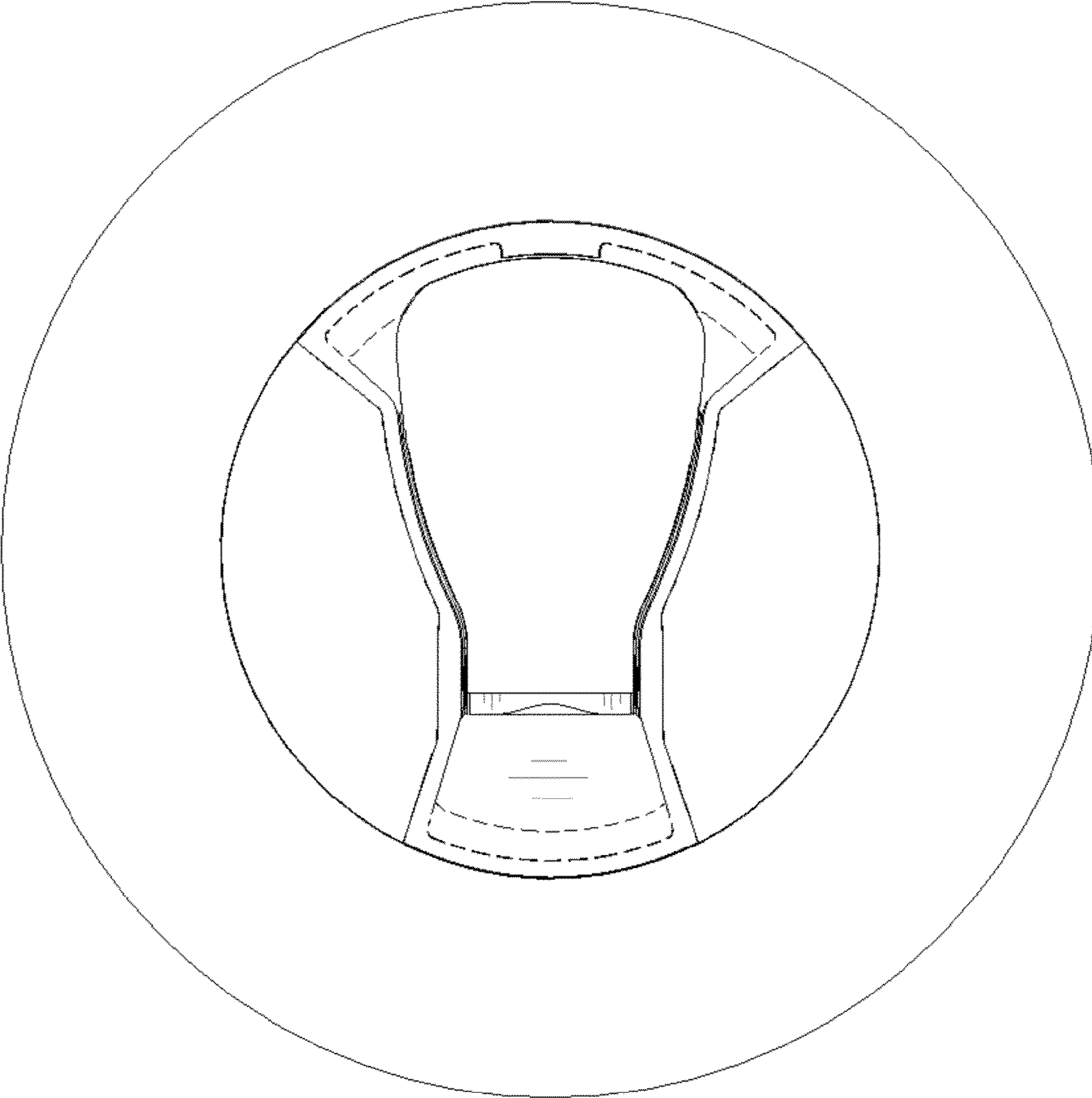


FIG. 8