

US00D741378S

(12) **United States Design Patent**
Yokoyama

(10) **Patent No.:** **US D741,378 S**

(45) **Date of Patent:** **** Oct. 20, 2015**

(54) **BOBBIN WITH THREAD HOLDING FUNCTION**

(71) Applicant: **JANOME SEWING MACHINE Co., Ltd.**, Tokyo (JP)

(72) Inventor: **Ushio Yokoyama**, Tokyo (JP)

(73) Assignee: **JANOME SEWING MACHINE CO., LTD.**, Tokyo (JP)

(**) Term: **14 Years**

(21) Appl. No.: **29/473,257**

(22) Filed: **Nov. 20, 2013**

(30) **Foreign Application Priority Data**

May 24, 2013 (JP) 2013-11390

(51) **LOC (10) Cl.** **15-07**

(52) **U.S. Cl.**
USPC **D15/72**

(58) **Field of Classification Search**
USPC D15/66, 72, 78; D3/18, 24, 25; D8/358, D8/359

CPC D05B 43/00; D05B 57/00; D05B 57/02;
D05B 57/04; D05B 57/06; D05B 57/08;
D05B 57/16; D05B 57/18; D05B 57/20;
D05B 57/22; D05B 57/24; D05B 57/26;
D05B 57/28; D05B 57/30; D05B 59/00;
D05B 59/02; D05B 59/04

See application file for complete search history.

(56) **References Cited**

U.S. PATENT DOCUMENTS

D436,520 S *	1/2001	Bulman	D8/358
D441,772 S *	5/2001	Polzer	D15/138
D545,561 S *	7/2007	Vandecasteele	D3/24
D563,207 S *	3/2008	Kawazoe	D8/358
D625,172 S *	10/2010	Pauwels	D8/358
2014/0346264 A1 *	11/2014	Yokoyama	242/118

* cited by examiner

Primary Examiner — Daniel Bui

Assistant Examiner — Khawaja Anwar

(74) *Attorney, Agent, or Firm* — McGinn IP Law Group, PLLC

(57) **CLAIM**

The ornamental design for a bobbin with thread holding function, as shown and described.

DESCRIPTION

FIG. 1 is a perspective view of the top, front and right side of a bobbin with thread holding function showing our new design;

FIG. 2 is a front view thereof;

FIG. 3 is a rear view thereof;

FIG. 4 is a right side view thereof;

FIG. 5 is a left side view thereof;

FIG. 6 is a top plan view thereof;

FIG. 7 is a bottom view thereof;

FIG. 8 is another top plan view thereof; and,

FIG. 9 is a sectional view taken along the dotted line 9-9 from FIG. 8.

A left side view is symmetric and same as a right side view.

1 Claim, 9 Drawing Sheets

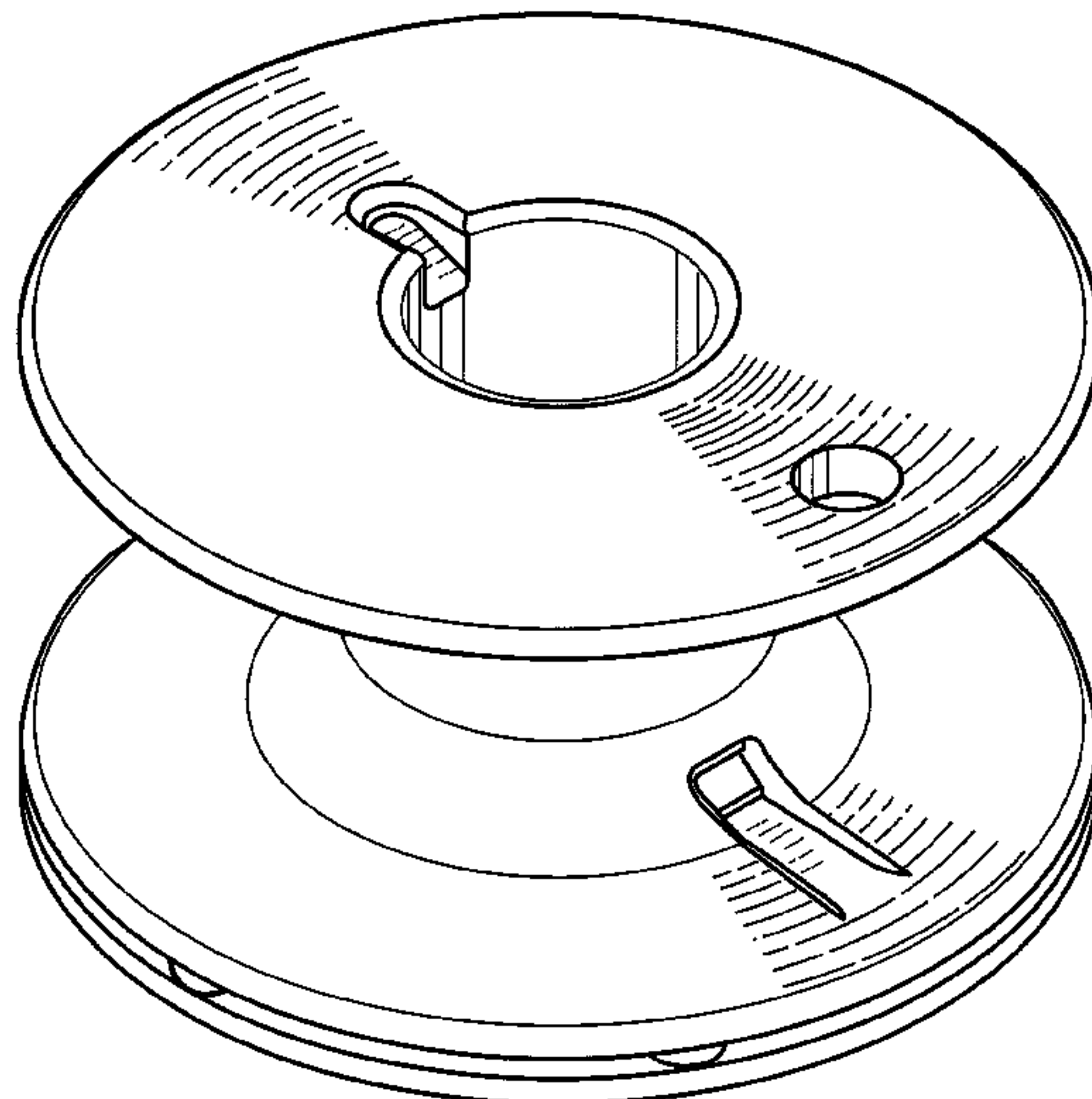


Fig. 1

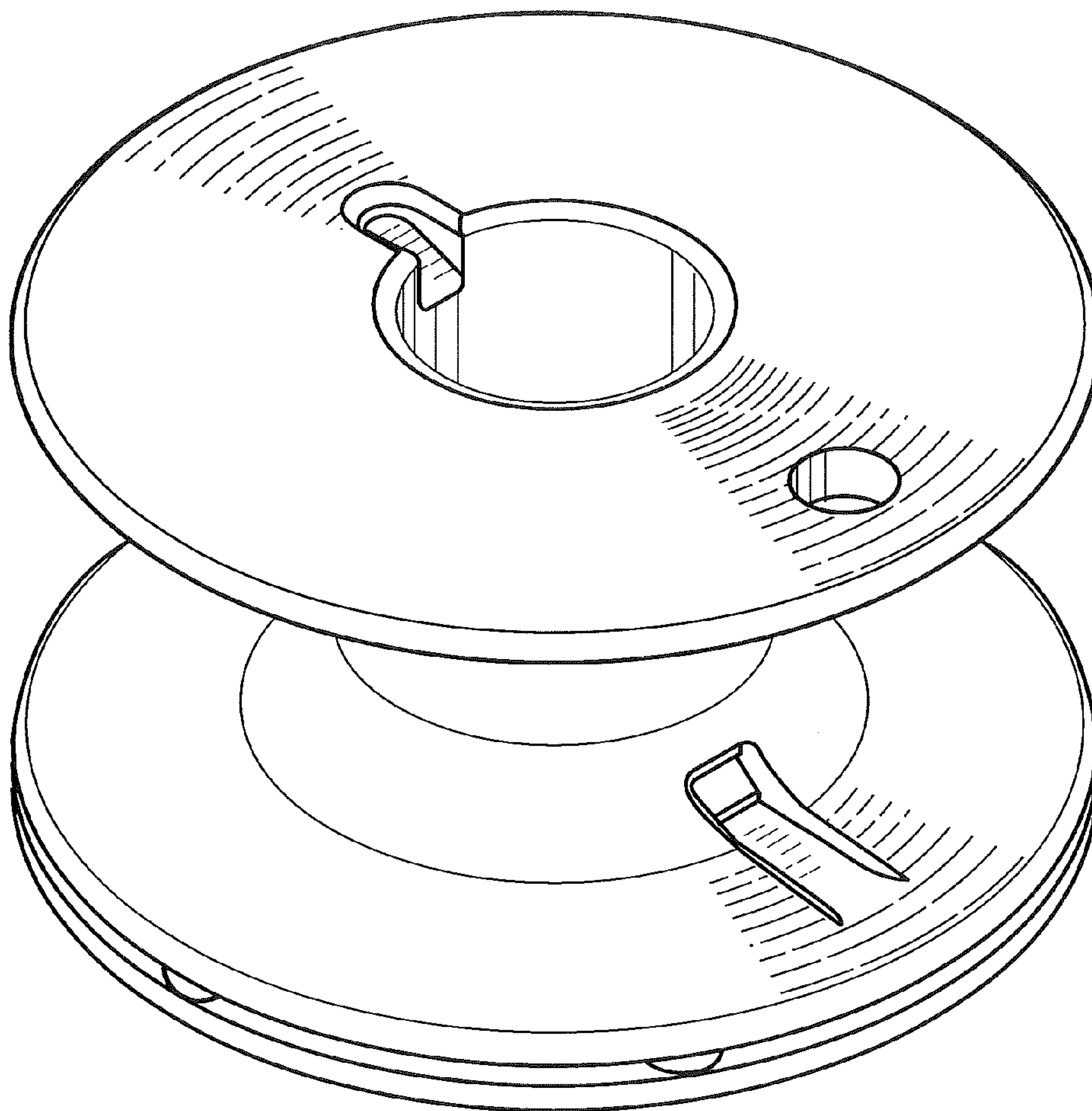


Fig. 2

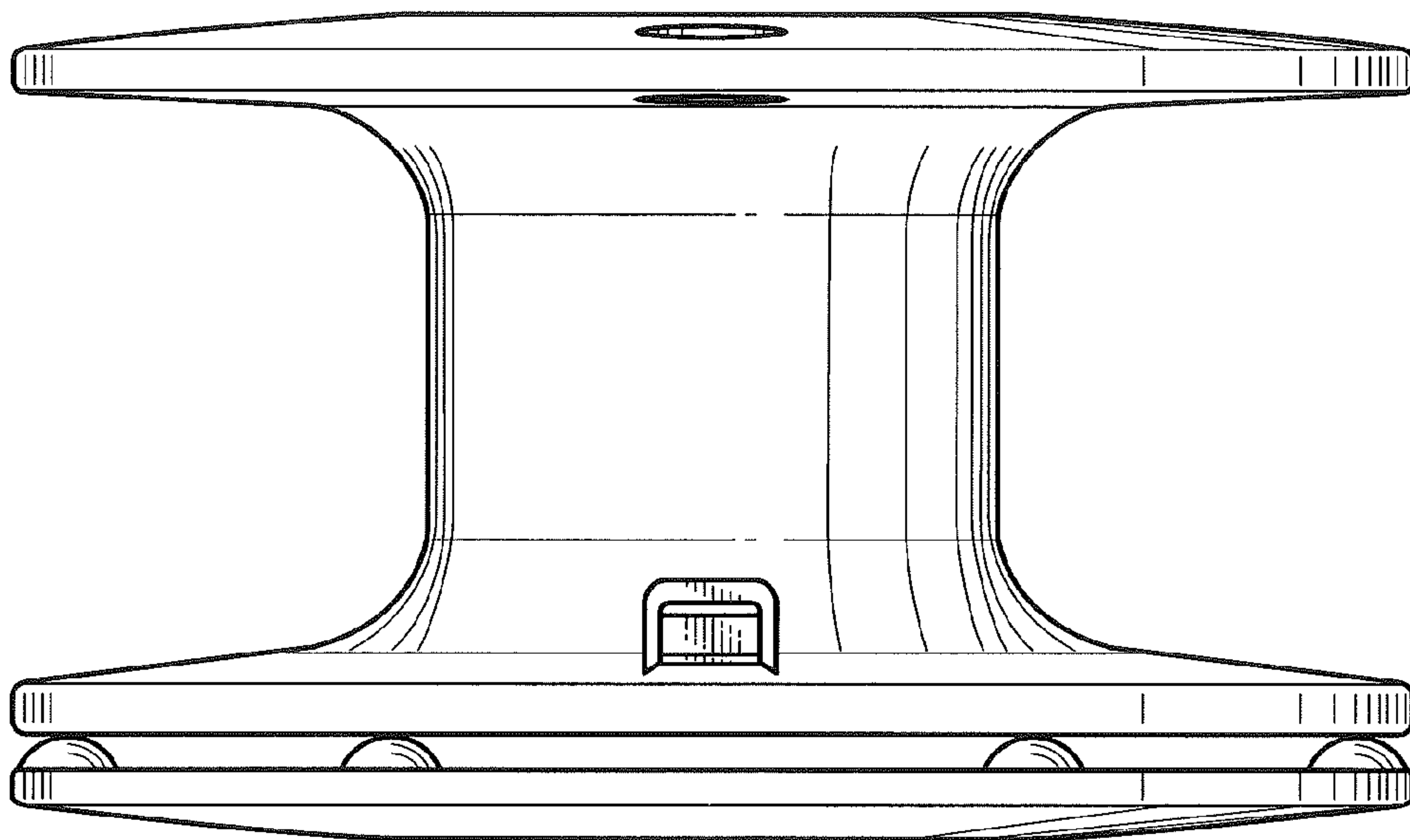


Fig. 3

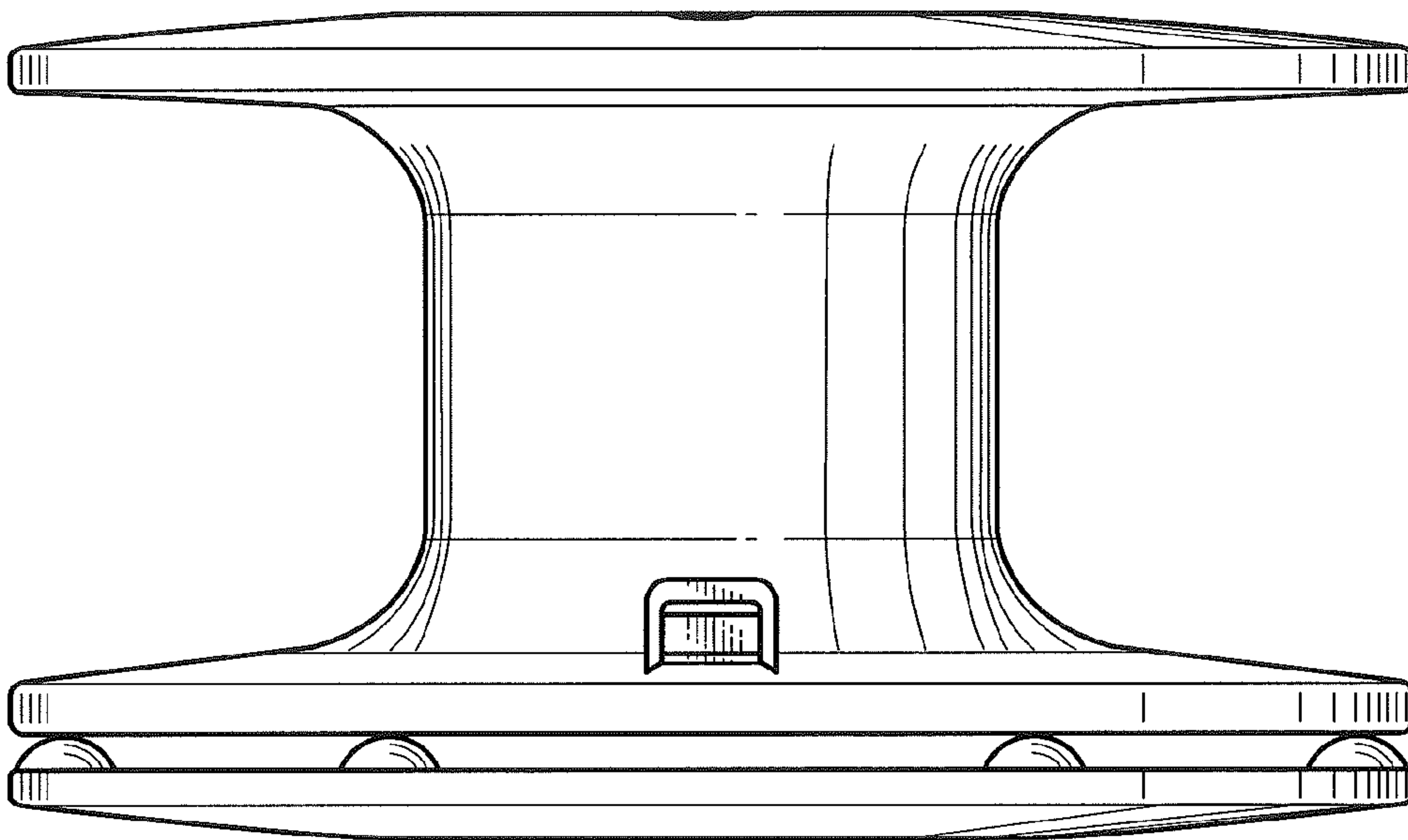


Fig. 4

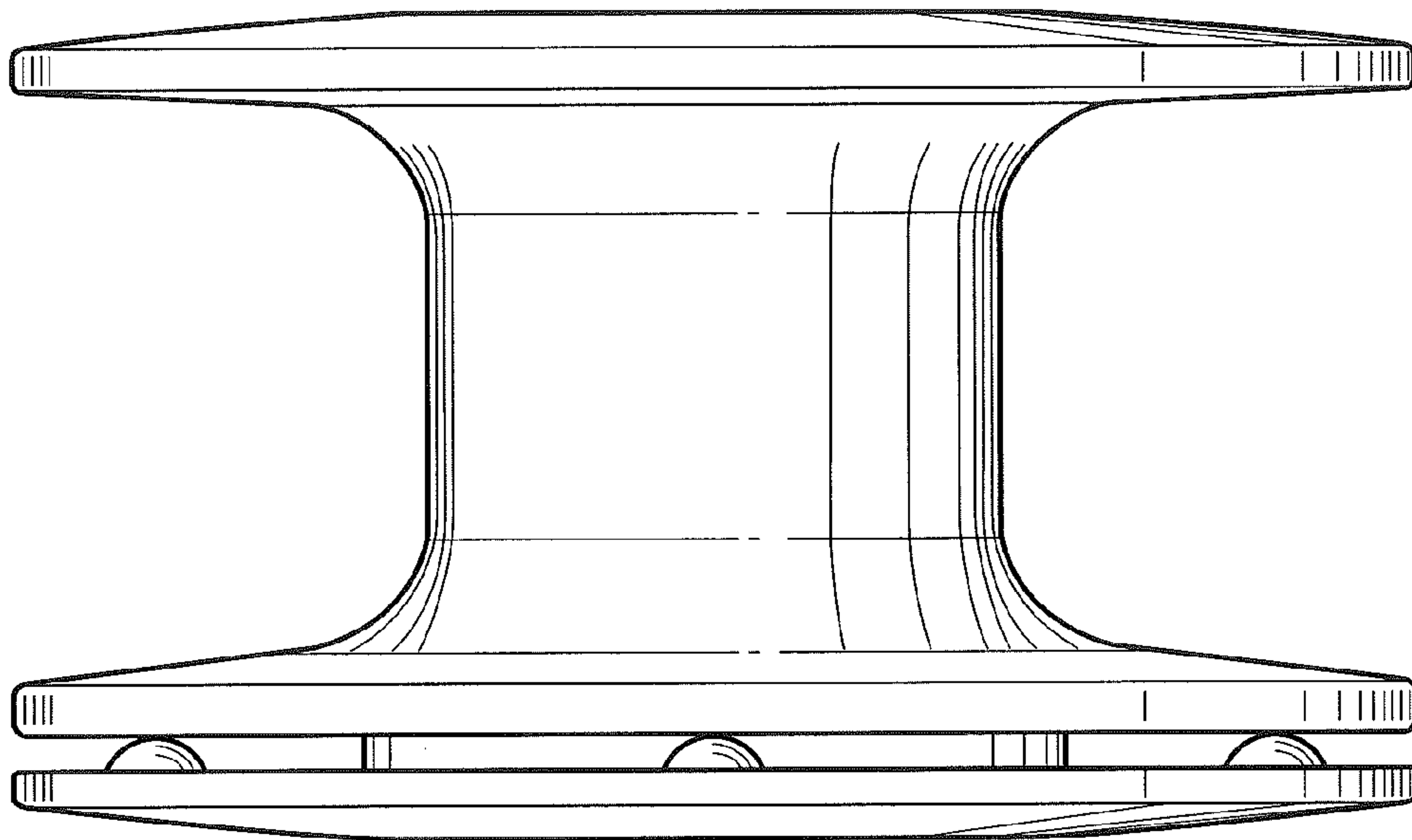


Fig. 5

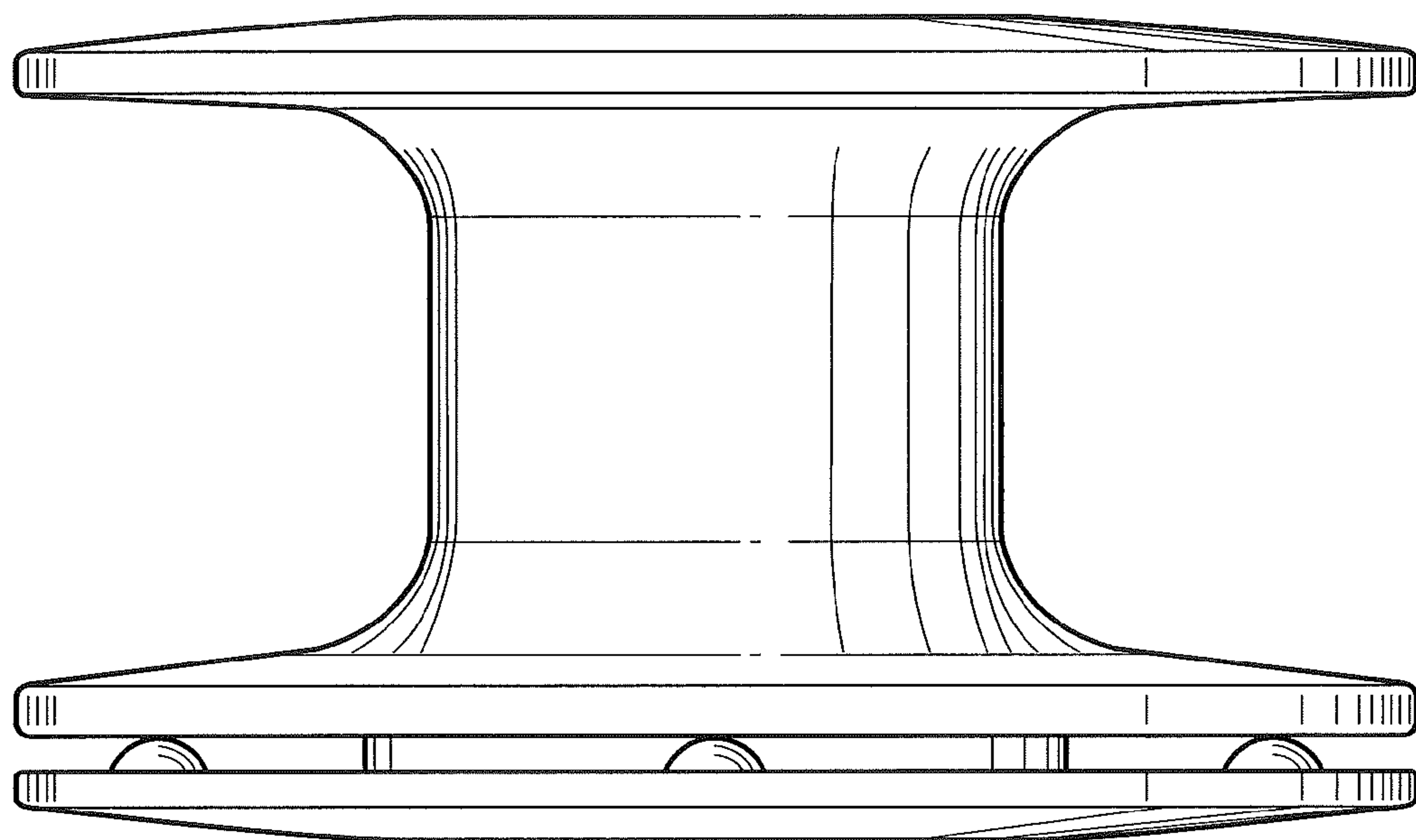


Fig. 6

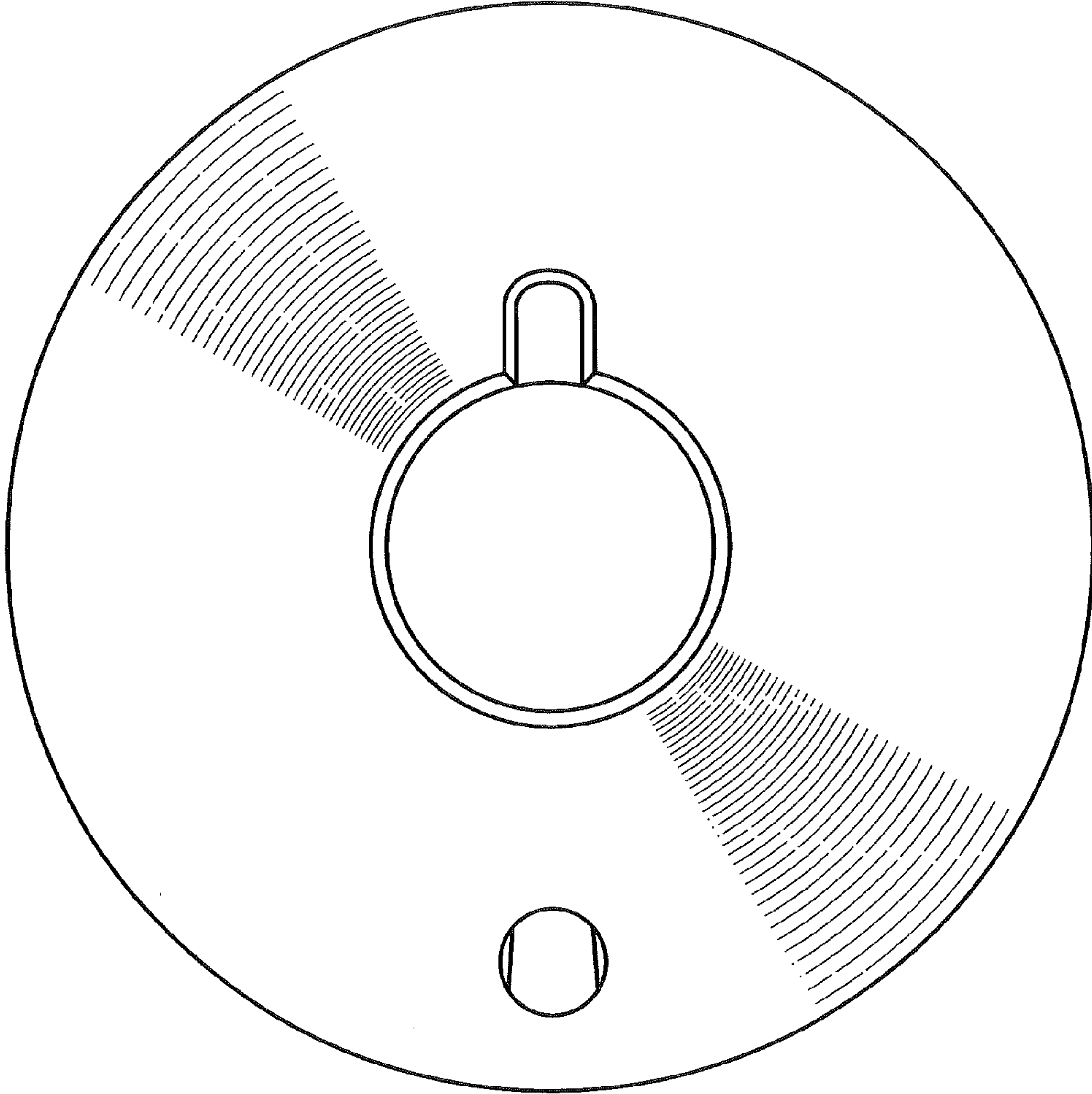
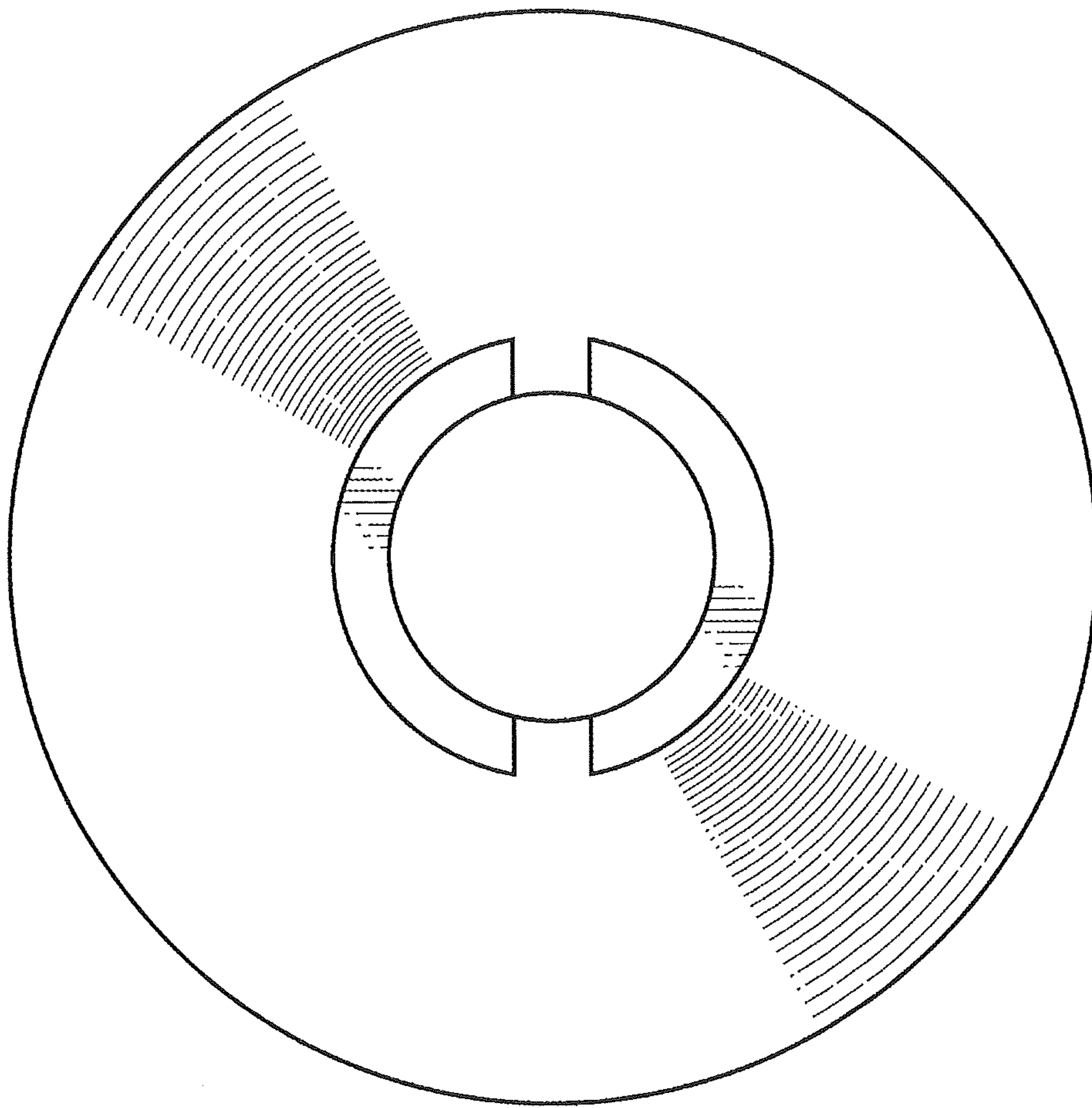


Fig. 7



F i g . 8

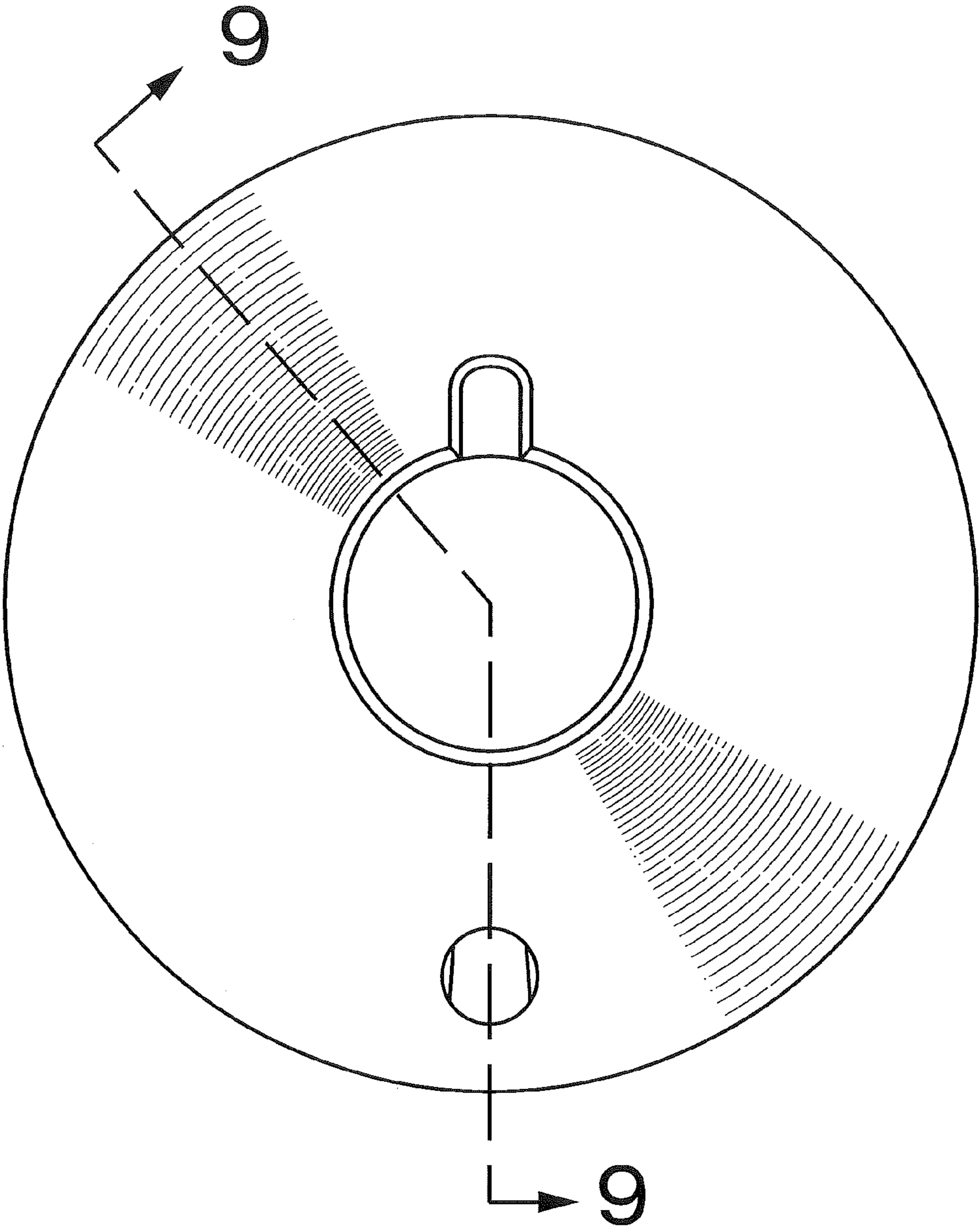


Fig. 9

