



US00D741375S

(12) **United States Design Patent**  
**Hooijmans**

(10) **Patent No.:** **US D741,375 S**  
(45) **Date of Patent:** **\*\* Oct. 20, 2015**

(54) **LIP FOR GROUND ENGAGING MACHINE IMPLEMENT**

(71) Applicant: **CATERPILLAR WORK TOOLS B.V.**,  
s-Hertogenbosch (NL)

(72) Inventor: **Willem Hooijmans**, Maasdriel (NL)

(73) Assignee: **Caterpillar Work Tools B. V.**,  
s-Hertogenbosch (NL)

(\*\*) Term: **14 Years**

(21) Appl. No.: **29/500,700**

(22) Filed: **Aug. 27, 2014**

(30) **Foreign Application Priority Data**

Feb. 28, 2014 (EM) ..... 002415661-0001

(51) **LOC (10) Cl.** ..... **15-03**

(52) **U.S. Cl.**  
USPC ..... **D15/28**

(58) **Field of Classification Search**

USPC ..... D15/11, 21, 28, 29, 32; 172/172, 701.2,  
172/701.3, 713, 719, 772.5, 770, 771;  
37/444, 446, 449, 452-456, 448, 903  
CPC ..... E02F 9/2833; E02F 9/2825; E02F 9/2883;  
E02F 9/2841; E02F 9/28; E02F 3/40; E21C  
35/183; Y10Y 403/7069; Y10Y 403/7018;  
Y10Y 403/587

See application file for complete search history.

(56) **References Cited**

**U.S. PATENT DOCUMENTS**

D251,431 S \* 3/1979 Klett et al. .... D15/28  
4,980,980 A \* 1/1991 Schadov et al. .... 37/452

D336,476 S \* 6/1993 Garman ..... D15/28  
5,515,625 A \* 5/1996 Keigley ..... 37/405  
5,709,043 A \* 1/1998 Jones et al. .... 37/458  
6,745,503 B1 \* 6/2004 Pallas Moreno et al. .... 37/452  
D567,825 S \* 4/2008 Clendenning et al. .... D15/29  
D567,826 S \* 4/2008 Clendenning et al. .... D15/29  
D567,827 S \* 4/2008 Clendenning et al. .... D15/29  
D576,644 S \* 9/2008 Clendenning et al. .... D15/29  
D706,307 S \* 6/2014 Renski et al. .... D15/28  
D707,264 S \* 6/2014 Renski et al. .... D15/29  
D727,367 S \* 4/2015 Renski et al. .... D15/28  
D727,369 S \* 4/2015 Renski et al. .... D15/29  
D728,635 S \* 5/2015 Kunz ..... D15/29

\* cited by examiner

*Primary Examiner* — Mark Goodwin

(74) *Attorney, Agent, or Firm* — Saidman DesignLaw Group, LLC

(57) **CLAIM**

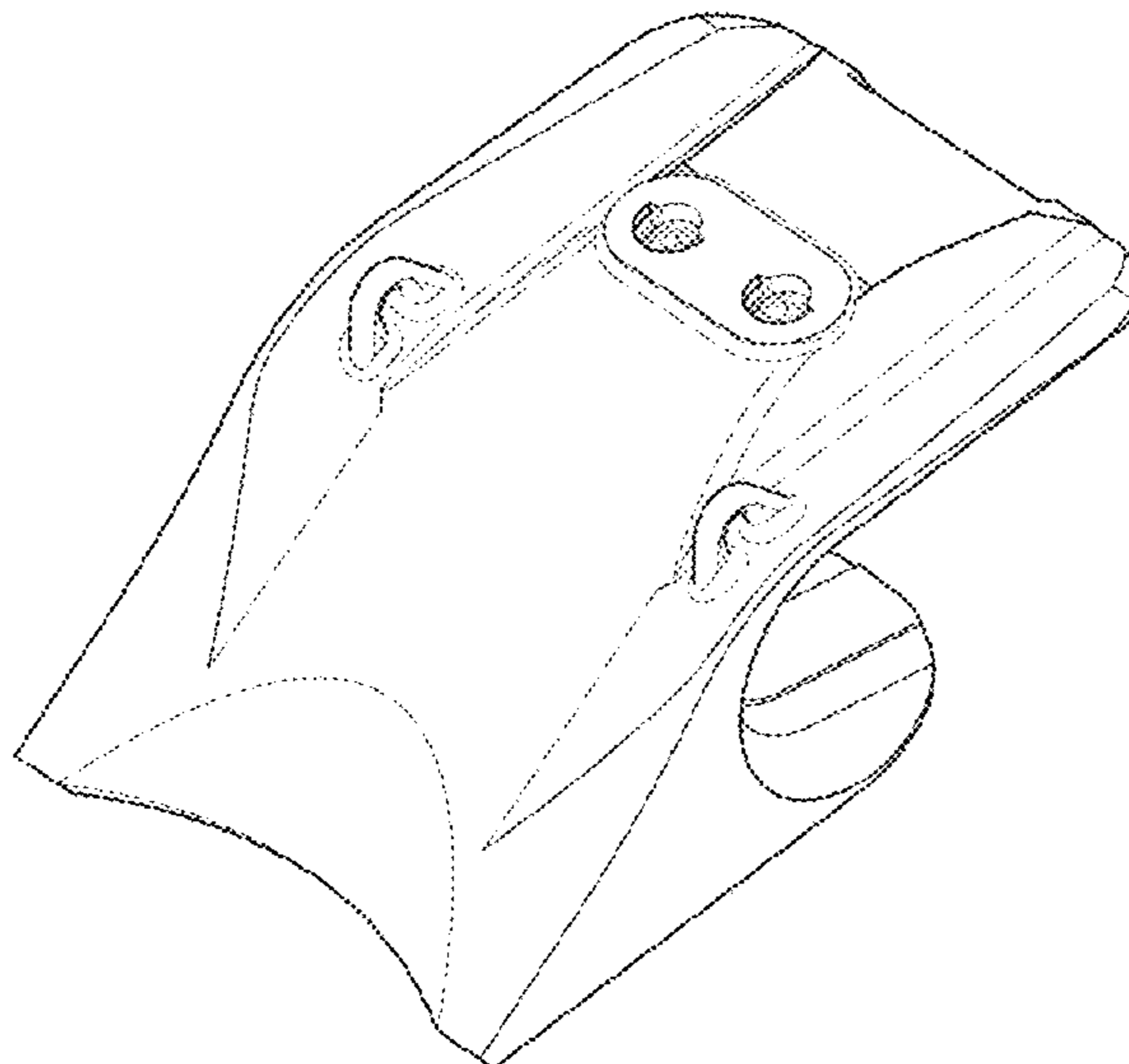
The ornamental design for a lip for ground engaging machine implement, as shown and described.

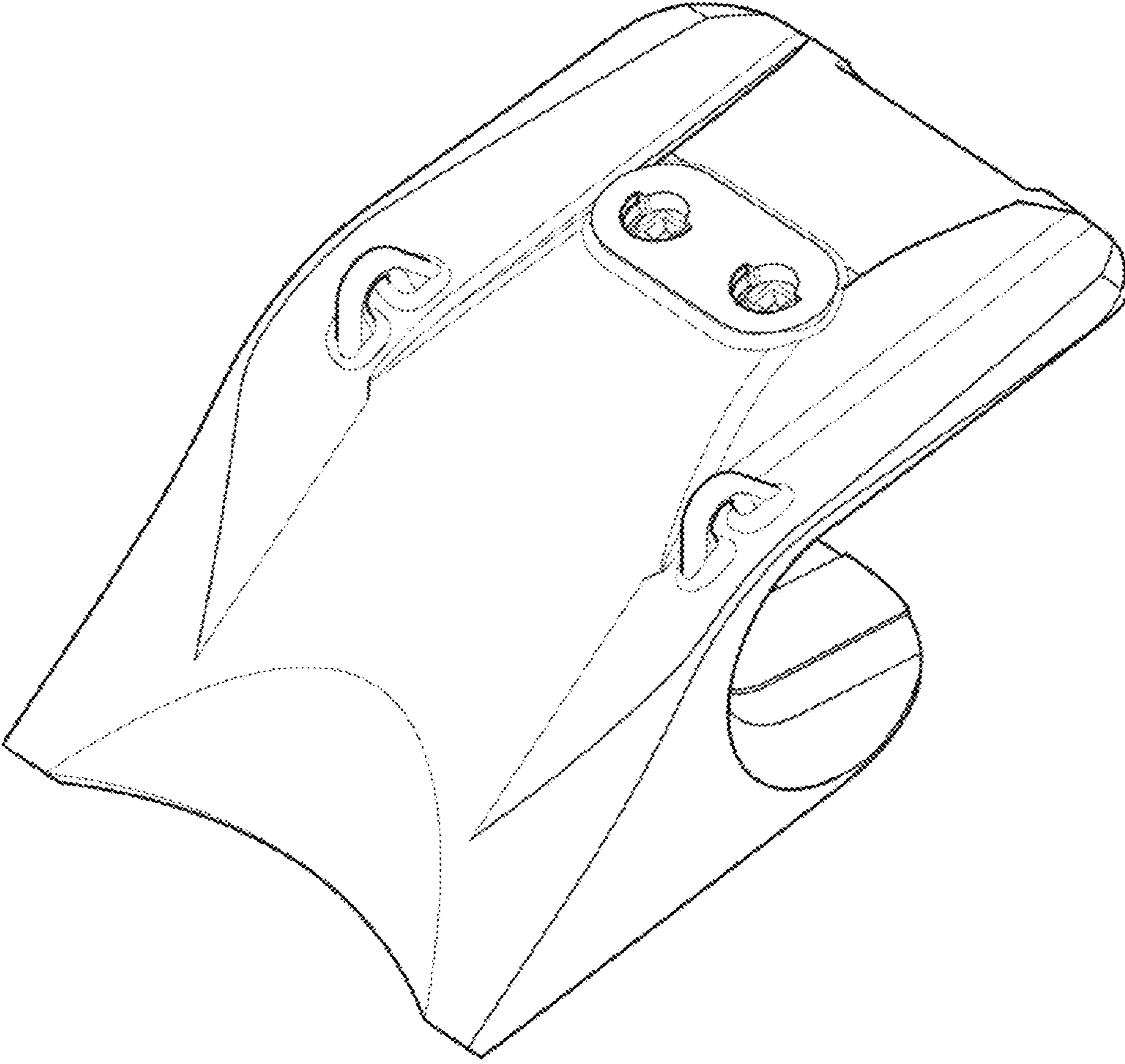
**DESCRIPTION**

FIG. 1 is a top perspective view of a lip for ground engaging machine implement showing my new design;  
FIG. 2 is a bottom perspective view thereof;  
FIG. 3 is a front view thereof;  
FIG. 4 is a rear view thereof;  
FIG. 5 is a left side view thereof, the right side view being a mirror image thereof;  
FIG. 6 is a top view thereof; and,  
FIG. 7 is a bottom view thereof.

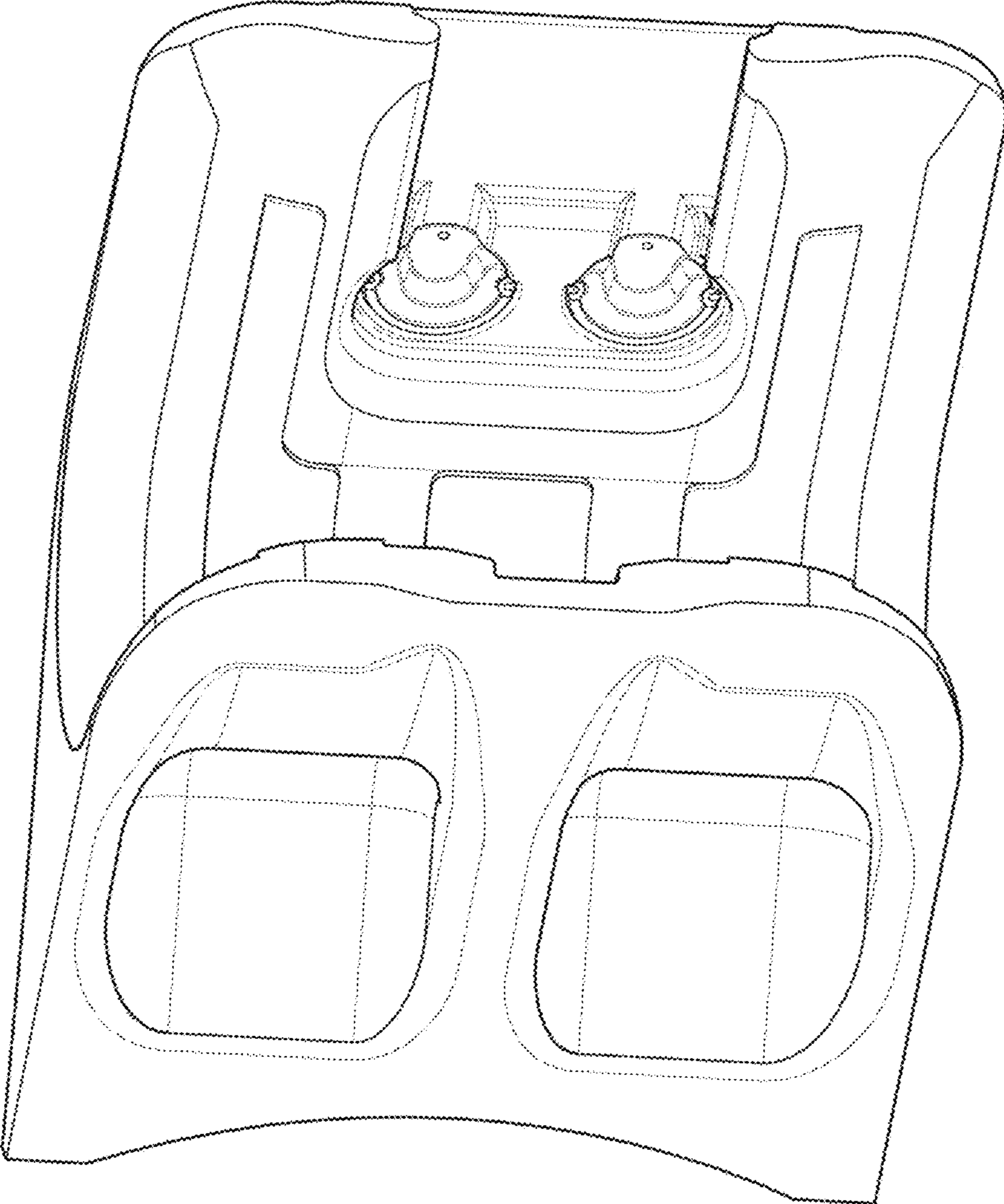
The drawings include CAD lines which represent contour, not surface ornamentation.

**1 Claim, 6 Drawing Sheets**

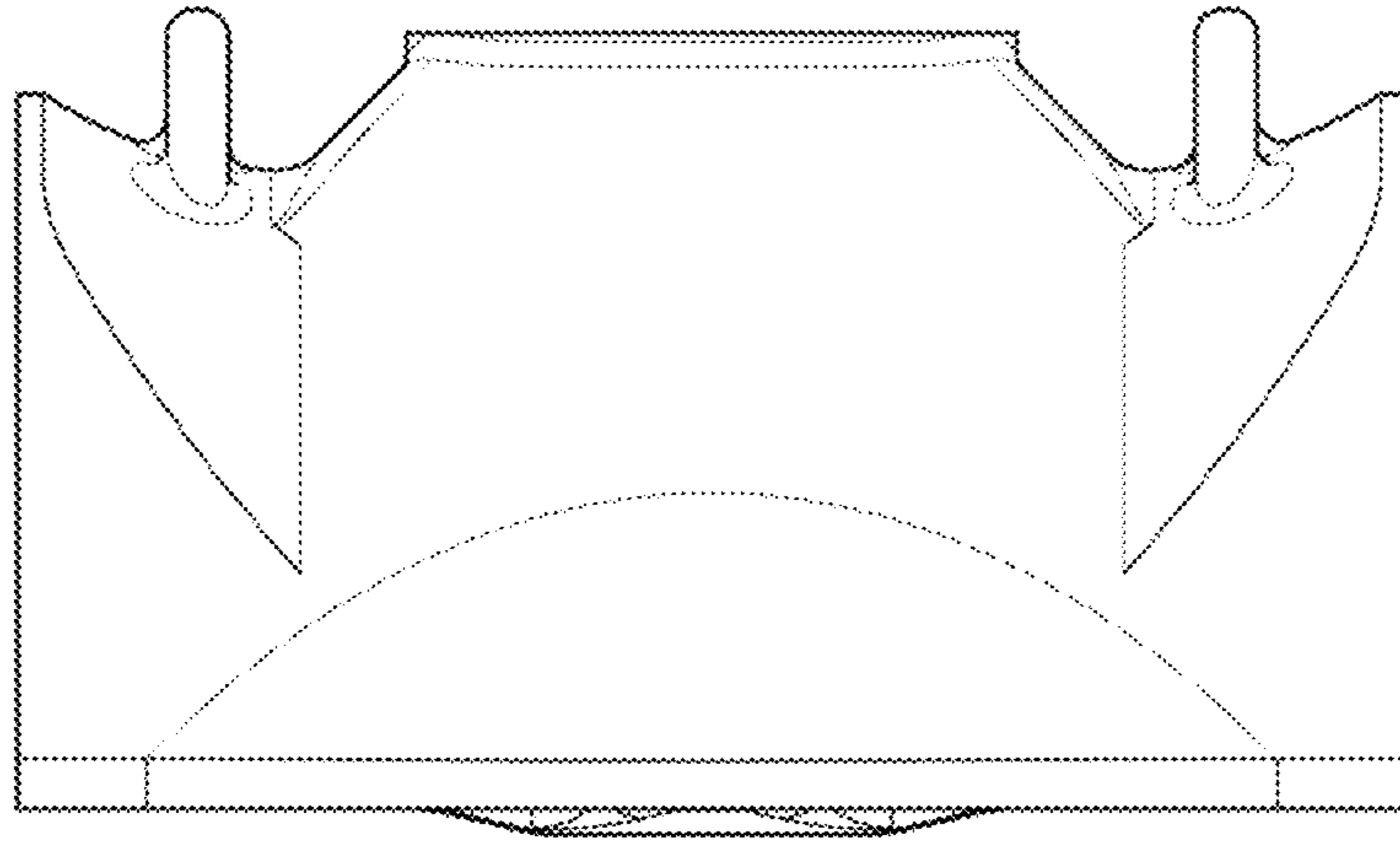




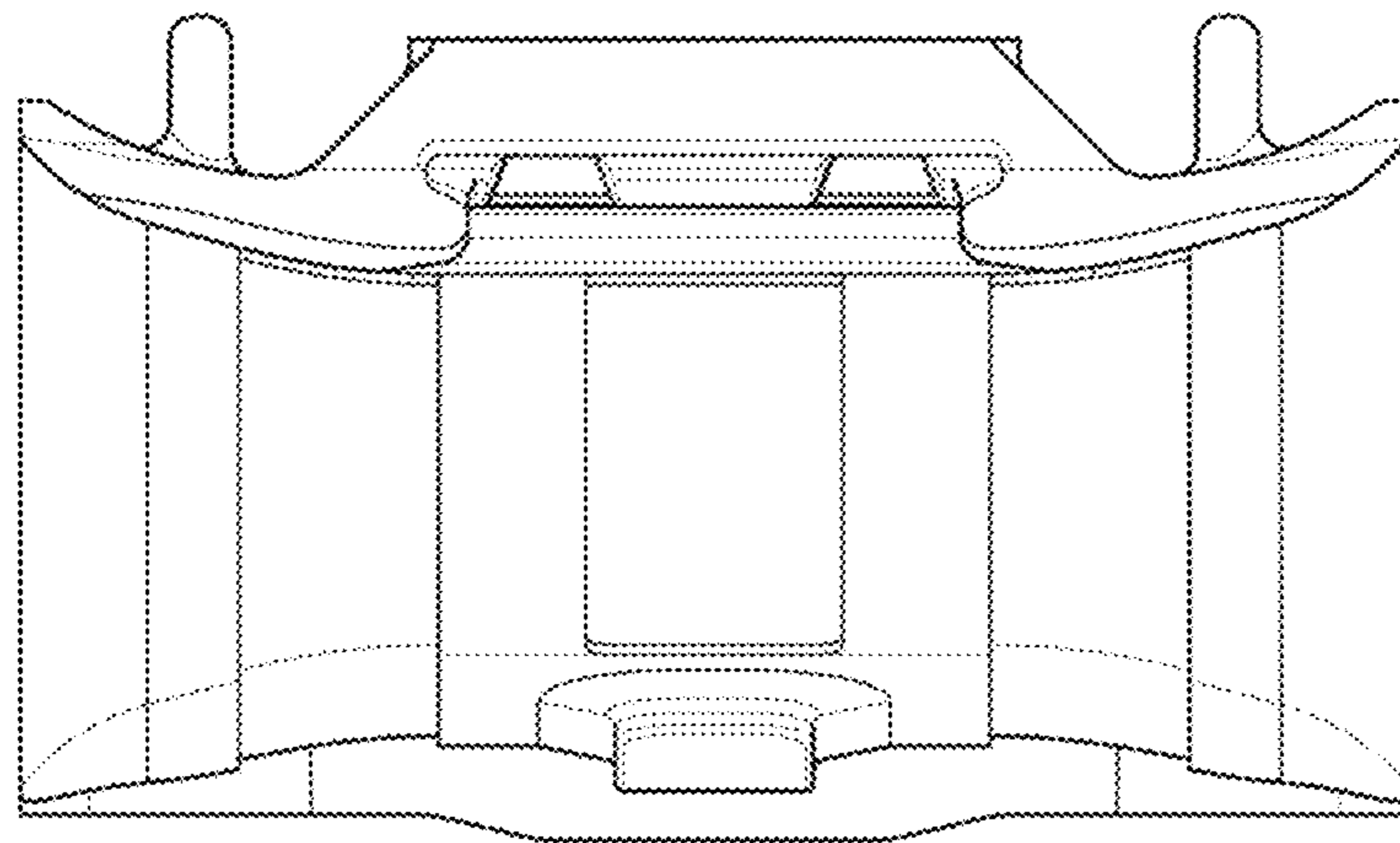
**Fig. 1**



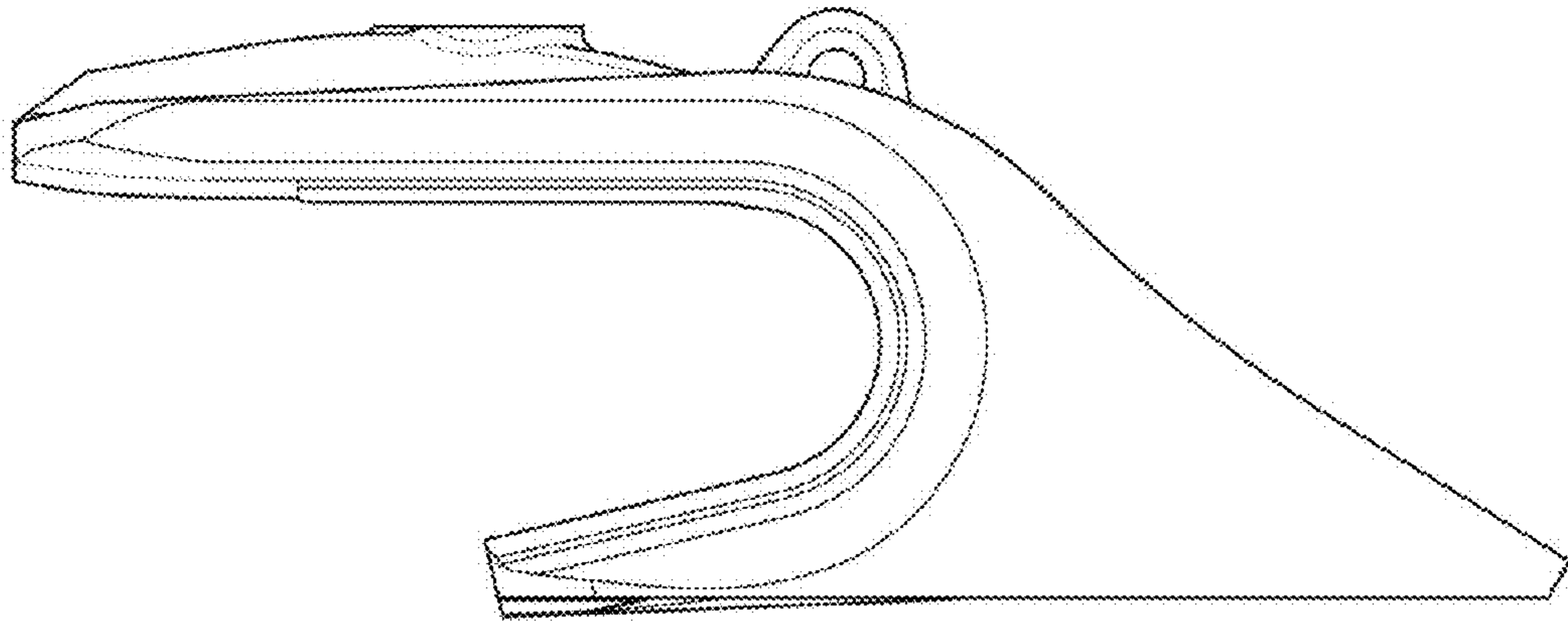
**Fig. 2**



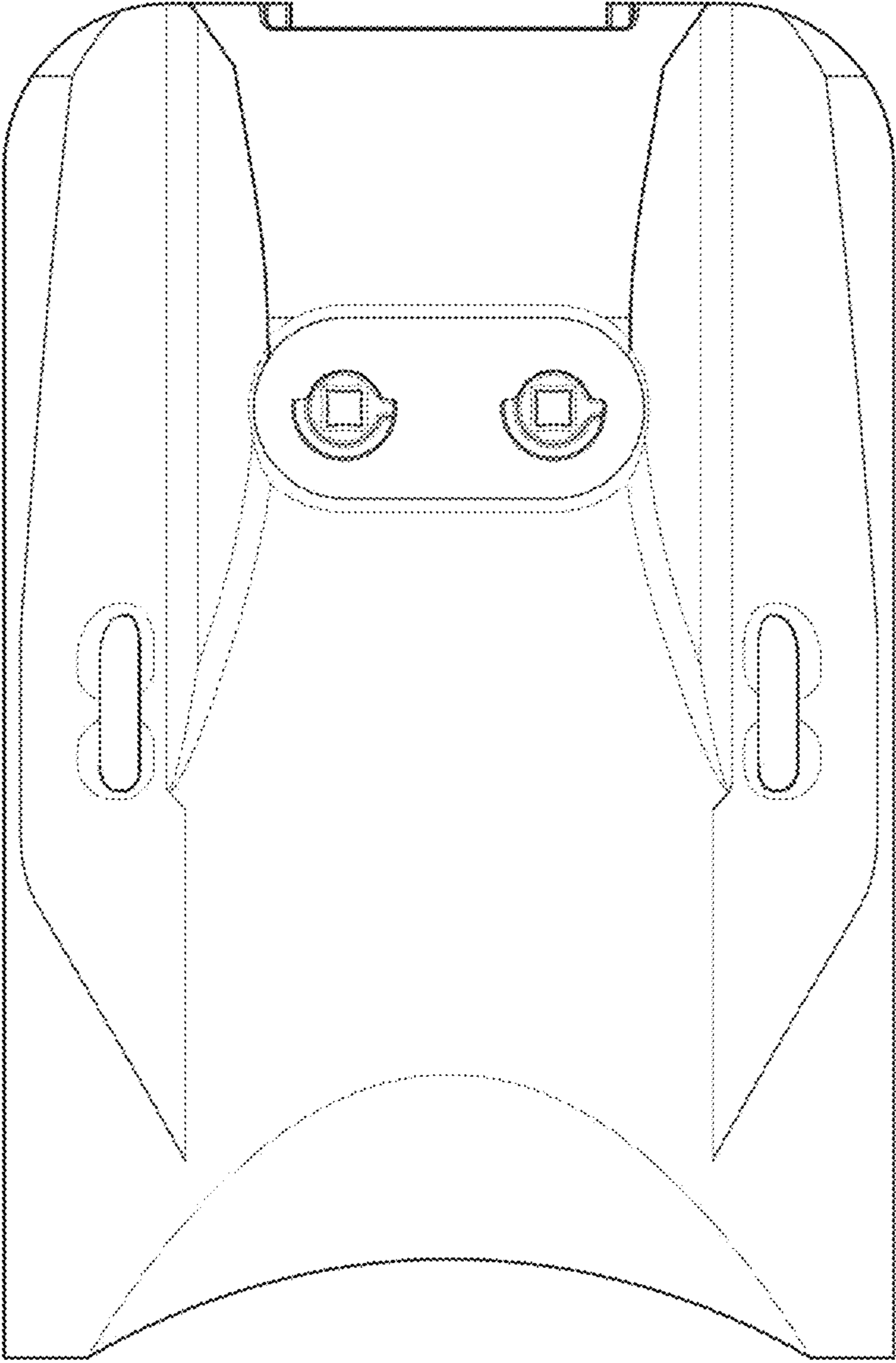
**Fig. 3**



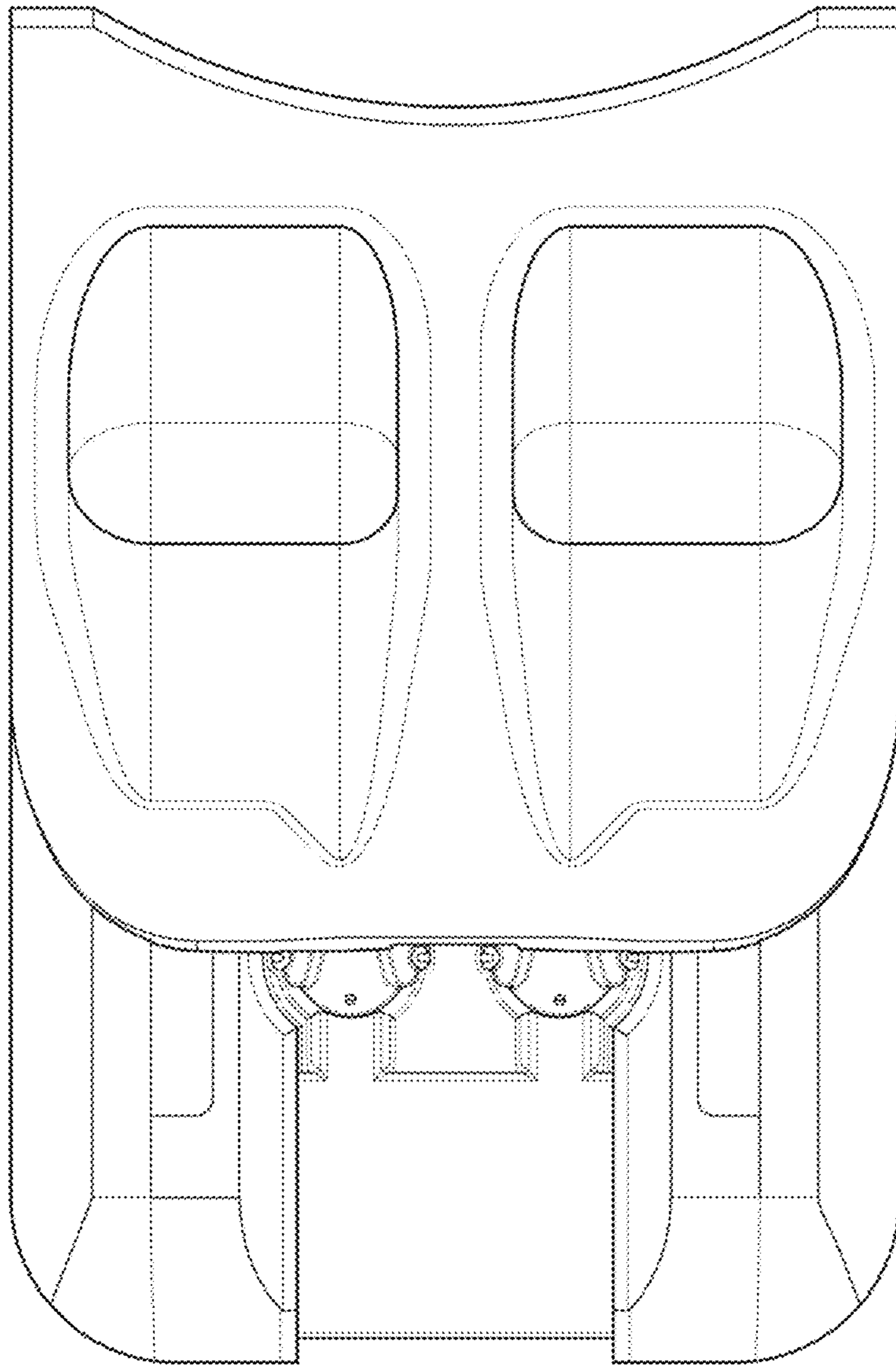
**Fig. 4**



**Fig. 5**



**Fig. 6**



**Fig. 7**