



US00D741372S

(12) **United States Design Patent**
Smith, Sr.

(10) **Patent No.:** **US D741,372 S**
(45) **Date of Patent:** **** Oct. 20, 2015**

(54) **PRODUCTION PACK HARNESS FEEDER
FERRULE DELIVERY UNIT**

(71) Applicant: **Jamie Warren Smith, Sr.**, Dunstable,
MA (US)

(72) Inventor: **Jamie Warren Smith, Sr.**, Dunstable,
MA (US)

(**) Term: **14 Years**

(21) Appl. No.: **29/522,973**

(22) Filed: **Apr. 6, 2015**

(51) **LOC (10) Cl.** **15-02**

(52) **U.S. Cl.**
USPC **D15/7**

(58) **Field of Classification Search**
USPC D15/7-9; D23/231, 232, 225;
417/410.1, 359, 415-416, 234, 321,
417/265, 405; 60/645, 651; 401/287
CPC .. B05C 17/0333; B05C 17/002; B01F 13/002
See application file for complete search history.

4,588,318 A * 5/1986 O'Brien B05C 17/0308
239/578
4,790,679 A * 12/1988 Murphy A46B 7/04
401/146
4,916,773 A 4/1990 McCoy
5,054,947 A 10/1991 Frank et al.
D398,614 S * 9/1998 Kartinen D15/7
5,904,434 A * 5/1999 Bekius A46B 11/063
401/282
D681,680 S * 5/2013 Galloway D15/9
D683,368 S * 5/2013 Galloway D15/9
8,845,222 B2 * 9/2014 Frank F04B 53/22
401/150
D723,065 S * 2/2015 Galloway D15/9
D723,066 S * 2/2015 Galloway D15/9
D726,770 S * 4/2015 Winiger D15/19

* cited by examiner

Primary Examiner — Ralf Seifert

(74) *Attorney, Agent, or Firm* — John H. Pearson, Jr., Esq.;
Walter F. Dawson, Esq.; Pearson & Pearson, LLC

(57) **CLAIM**

The ornamental design for the “production pack harness feeder ferrule delivery unit”, as shown and described.

DESCRIPTION

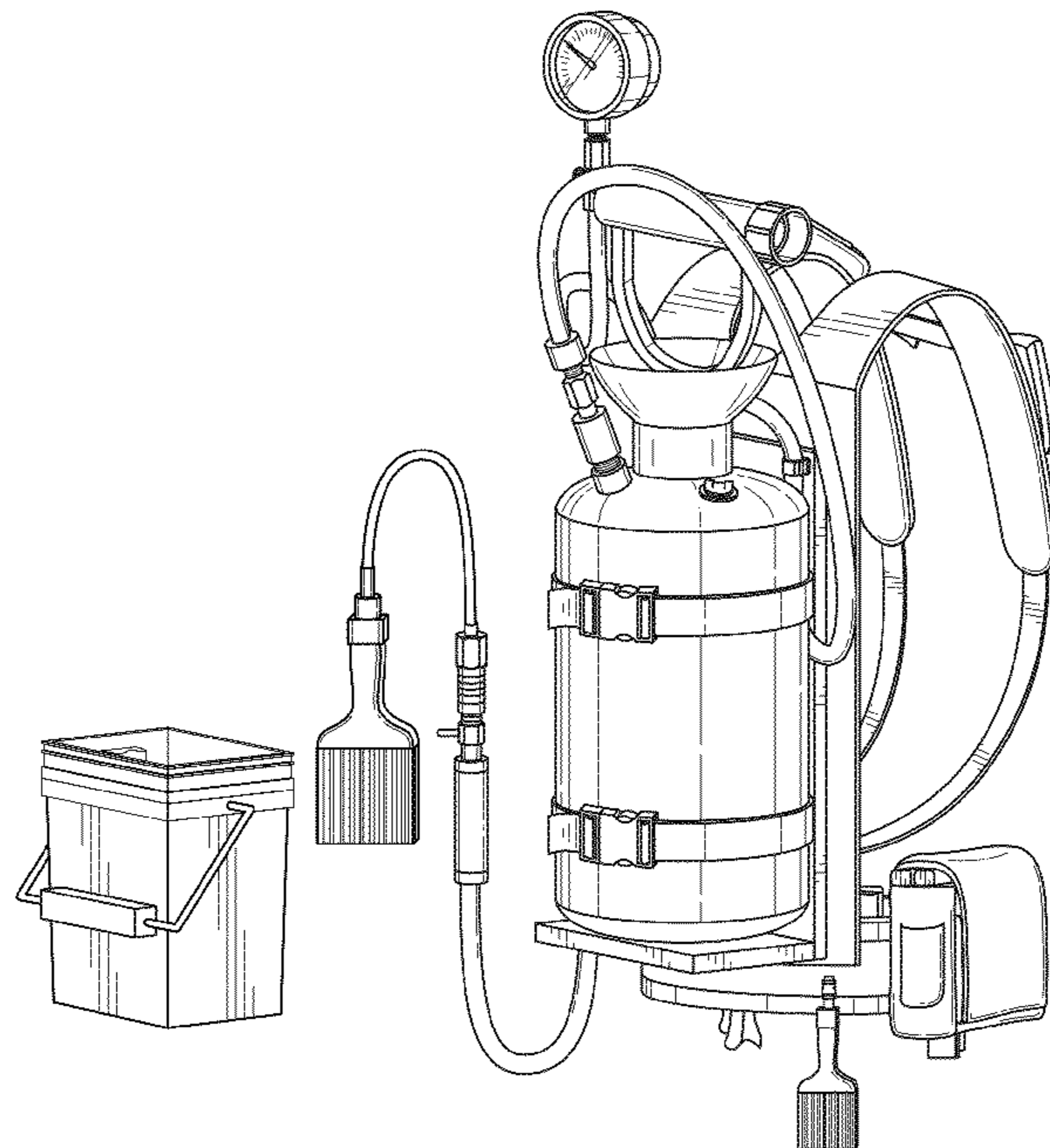
FIG. 1 is a rear elevational view of the “production pack harness feeder ferrule delivery unit”, thereof;
FIG. 2 is a front elevational view of the “production pack harness feeder ferrule delivery unit”, thereof;
FIG. 3 is a left side elevational view of the “production pack harness feeder ferrule delivery unit”, thereof;
FIG. 4 is a right elevational view of the “production pack harness feeder ferrule delivery unit”, thereof; and,
FIG. 5 is a front perspective view of the “production pack harness feeder ferrule delivery unit”, showing my new design.

(56) **References Cited**

U.S. PATENT DOCUMENTS

696,331 A	3/1902	Grill	
753,125 A	2/1904	Cooper	
823,458 A	6/1906	Abbott	
927,872 A	7/1909	Price	
1,254,429 A	1/1918	Parmeley	
2,275,765 A	3/1942	Hummert et al.	
2,341,881 A	2/1944	Rasch	
2,504,487 A	4/1950	Anson	
3,418,054 A *	12/1968	Kirch	A46B 11/063 401/188 R
3,960,294 A	6/1976	Bernard	

1 Claim, 5 Drawing Sheets



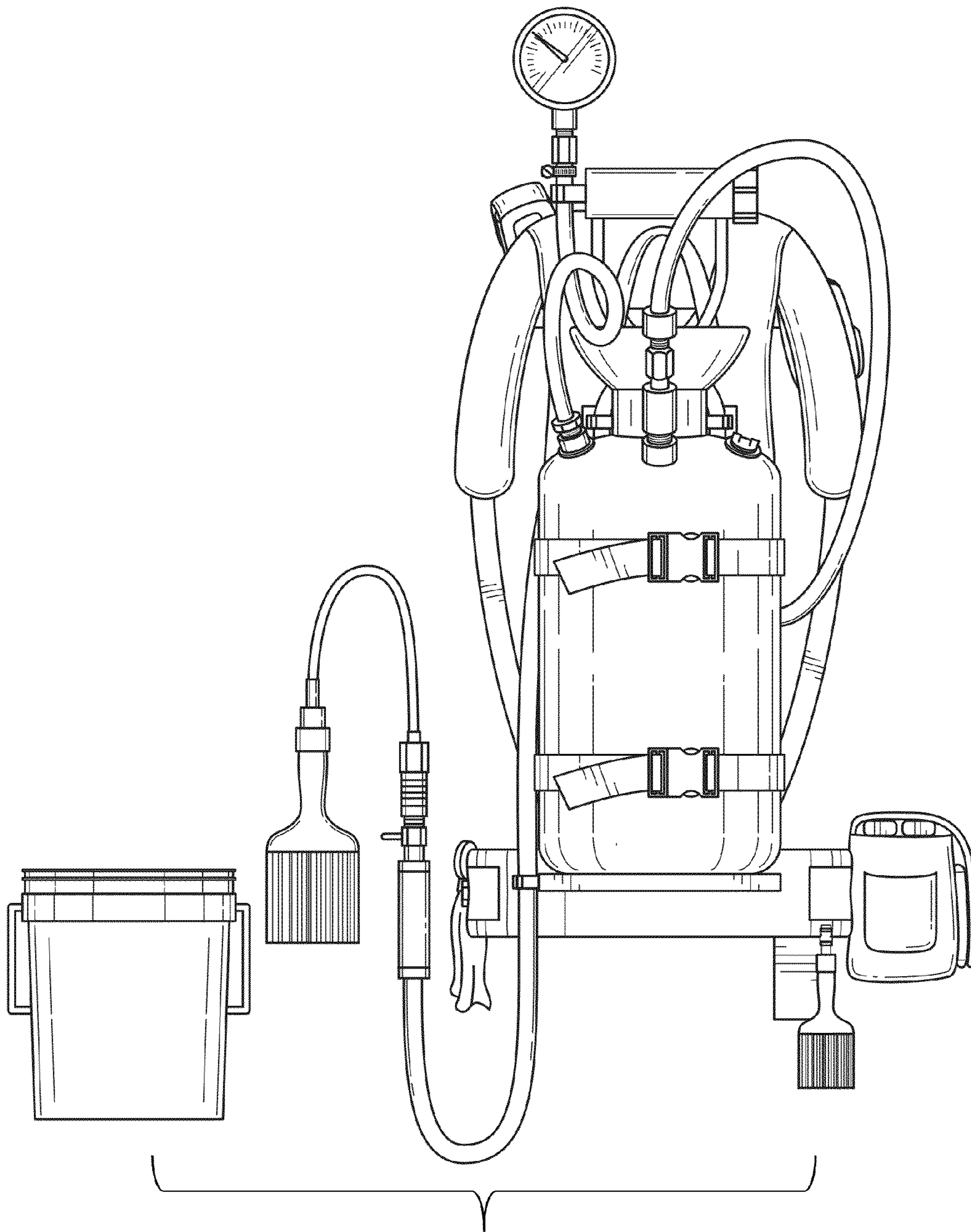


FIG. 1

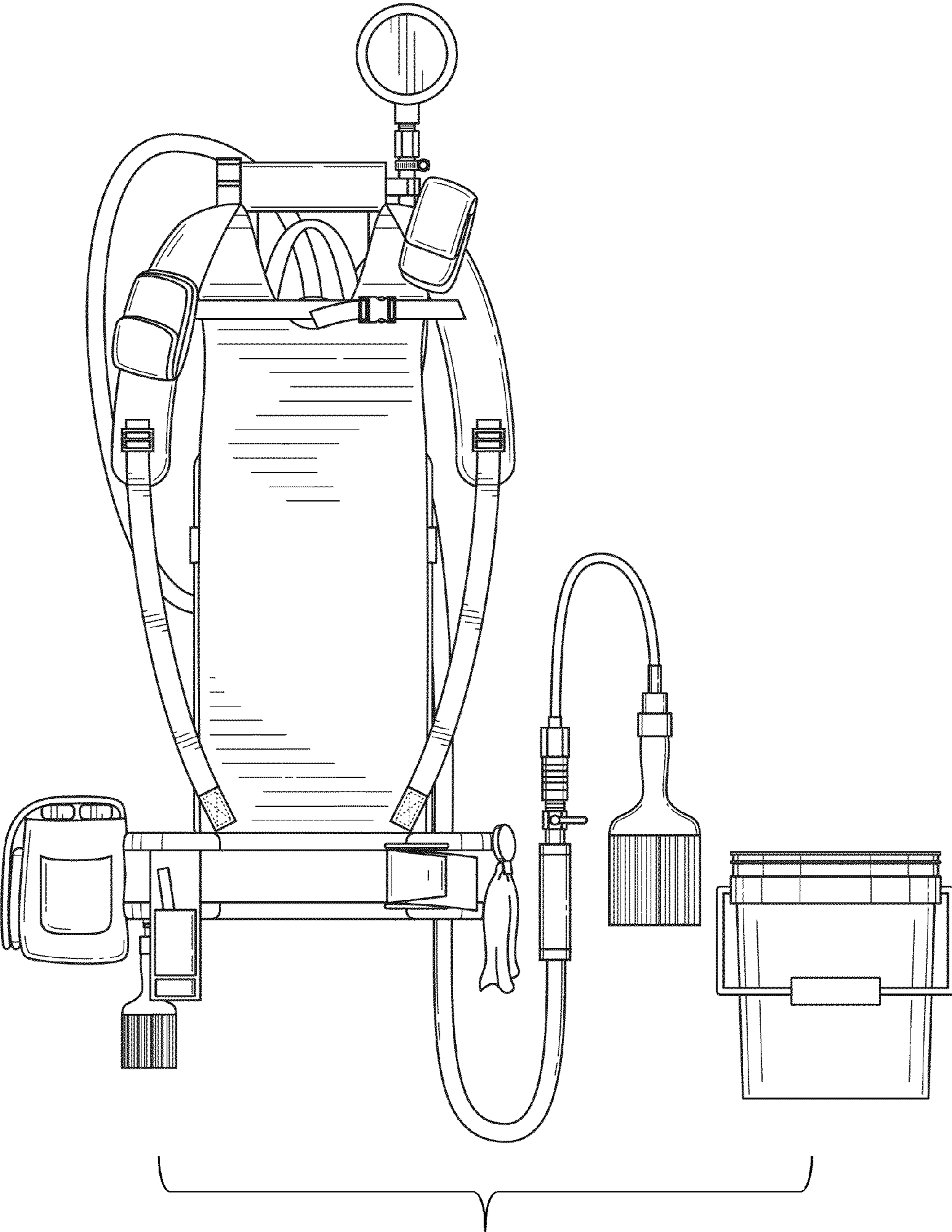


FIG. 2

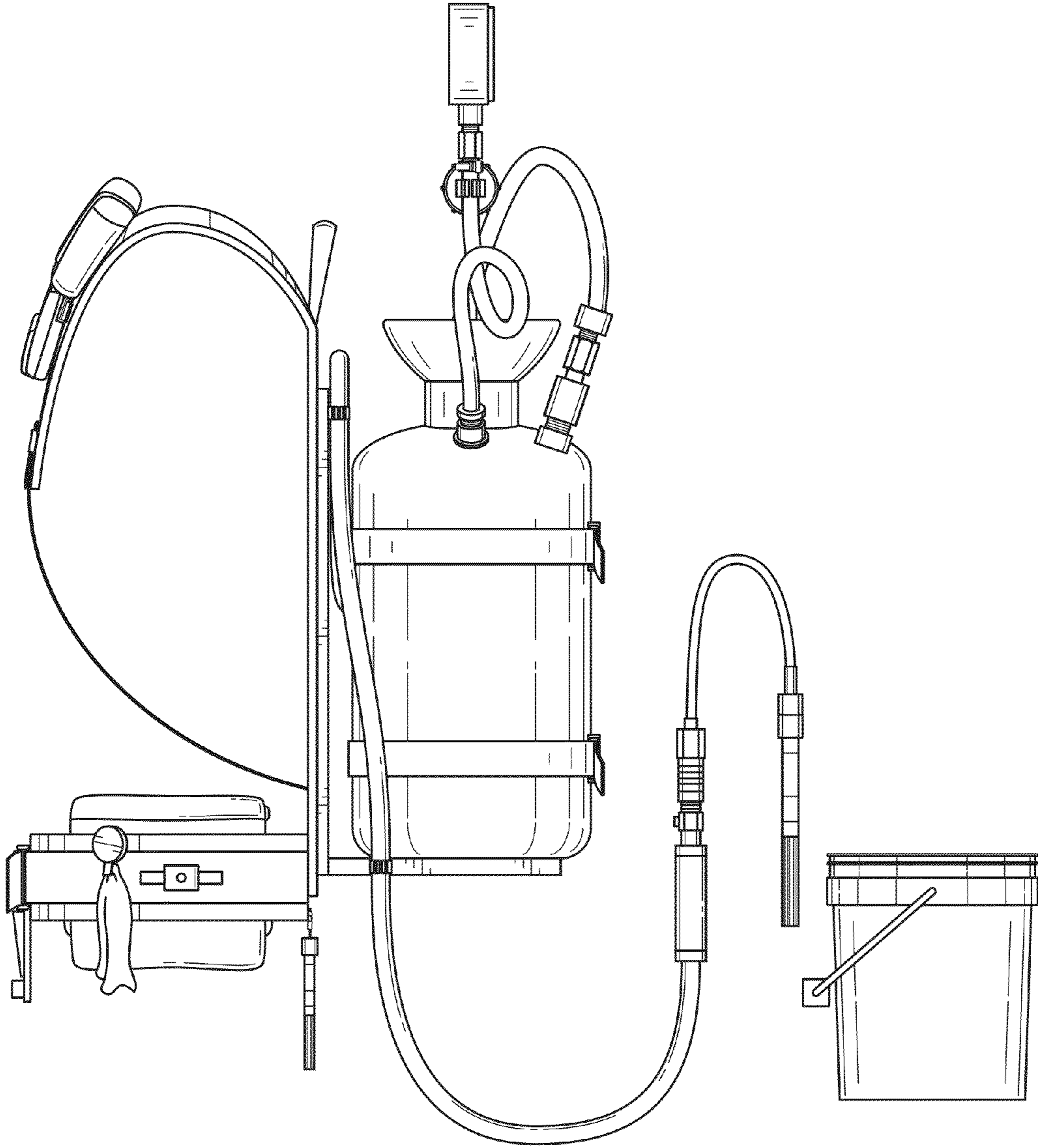


FIG. 3

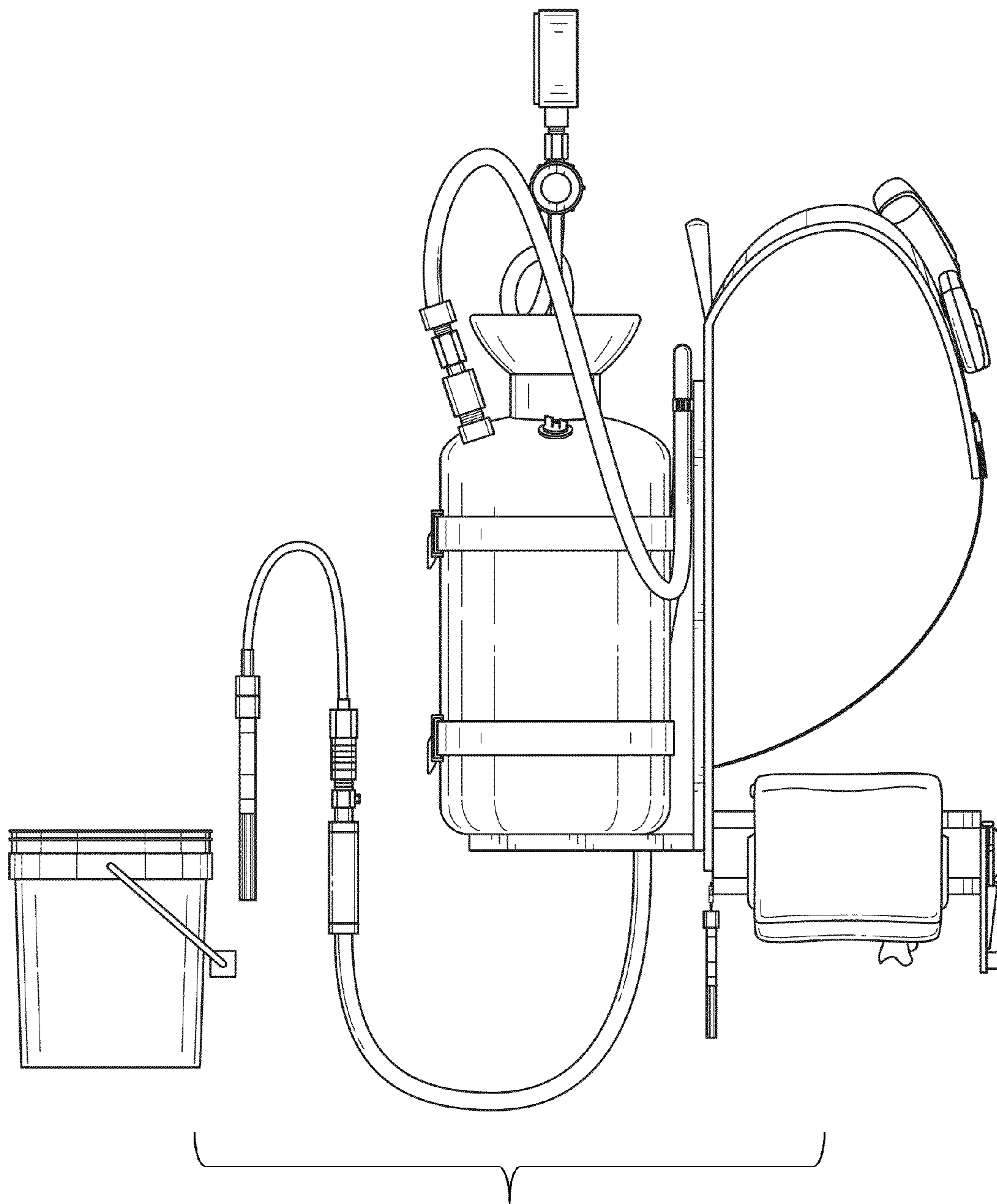


FIG. 4

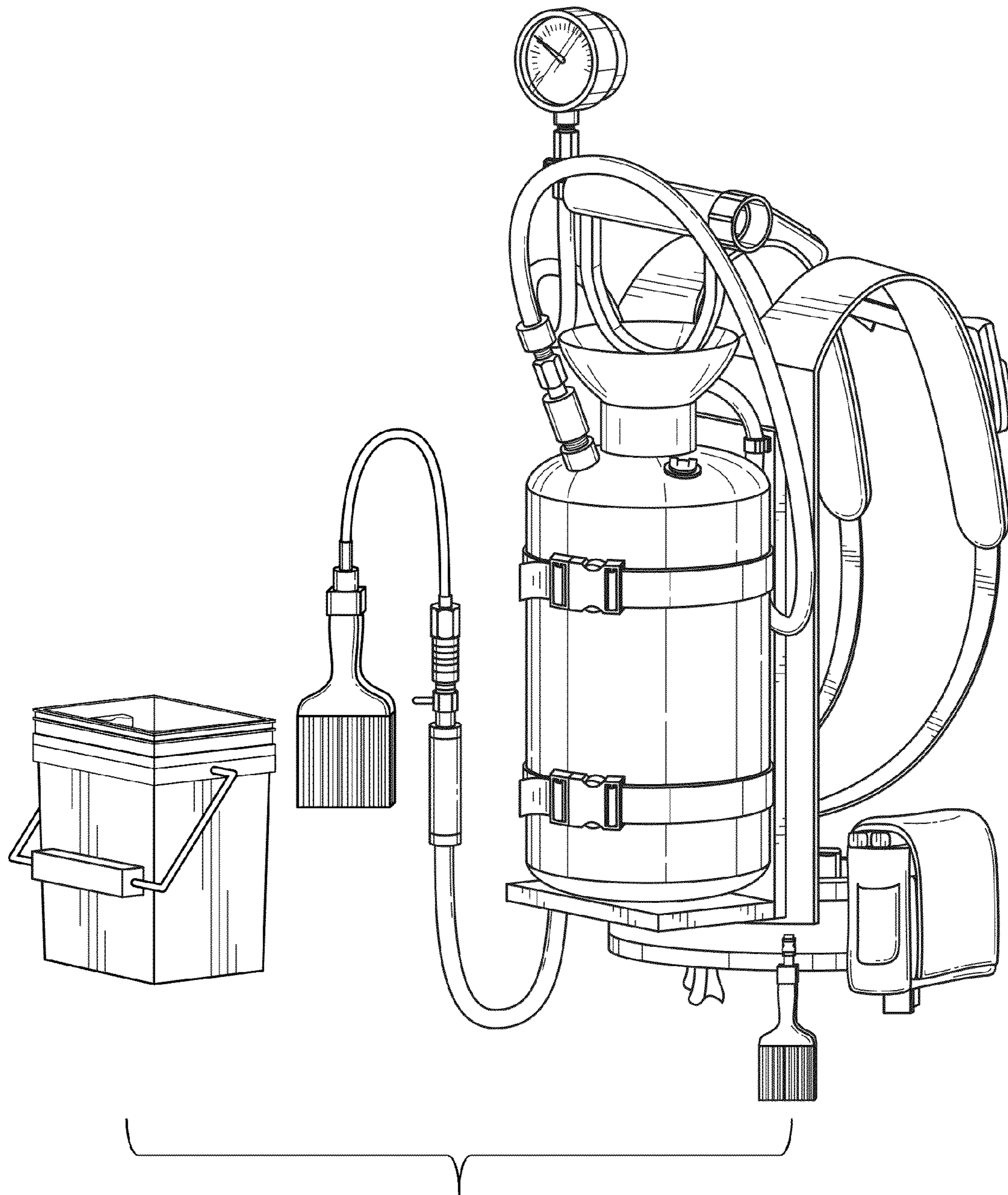


FIG. 5