



US00D741341S

(12) **United States Design Patent**
Lee et al.

(10) **Patent No.:** **US D741,341 S**
(45) **Date of Patent:** **** Oct. 20, 2015**

(54) **MULTIMEDIA TERMINAL WITH
TRANSITIONAL GRAPHICAL USER
INTERFACE**

(71) Applicant: **LG Electronics Inc.**, Seoul (KR)

(72) Inventors: **Kunho Lee**, Seoul (KR); **Myoungun
Kim**, Seoul (KR); **Jihye Min**, Seoul
(KR); **Yongdeok Lee**, Gyeonggi-do
(KR)

(73) Assignee: **LG Electronics Inc.**, Seoul (KR)

(**) Term: **14 Years**

(21) Appl. No.: **29/456,302**

(22) Filed: **May 30, 2013**

(30) **Foreign Application Priority Data**

Nov. 30, 2012 (KR) 30-2012-0057689

(51) **LOC (10) Cl.** **14-04**

(52) **U.S. Cl.**
USPC **D14/485**

(58) **Field of Classification Search**
USPC D14/485-495; 715/703, 715, 727, 763,
715/773, 776, 779, 839, 810, 811, 812, 813,
715/814, 815, 821, 825, 828, 833, 835, 836,
715/837, 838, 840, 846, 847, 864, 963, 974,
715/976, 977

CPC G06F 3/0482; G06F 8/34; G06F 3/04817;
G06F 3/048

See application file for complete search history.

(56) **References Cited**

U.S. PATENT DOCUMENTS

D607,895 S * 1/2010 Marashi D14/486
D621,849 S * 8/2010 Anzures et al. D14/488

D637,199 S * 5/2011 Brinda et al. D14/489
D652,842 S * 1/2012 Obama et al. D14/489
D671,556 S * 11/2012 Barnett et al. D14/487
D677,275 S * 3/2013 Wujcik et al. D14/492
D682,294 S * 5/2013 Kanalakakis et al. D14/487
D701,216 S * 3/2014 Noda et al. D14/485
D703,689 S * 4/2014 Kim et al. D14/486
D706,287 S * 6/2014 Kim et al. D14/487
2014/0223329 A1 * 8/2014 Falaki et al. 715/747
2014/0283142 A1 * 9/2014 Shepherd et al. 726/30
2014/0317546 A1 * 10/2014 Jacobson et al. 715/771

* cited by examiner

Primary Examiner — Angela J Lee

(74) *Attorney, Agent, or Firm* — Morgan, Lewis & Bockius
LLP

(57) **CLAIM**

The ornamental design for a multimedia terminal with transitional graphical user interface, as shown and described.

DESCRIPTION

FIG. 1 is a front perspective view of a multimedia terminal with transitional graphical user interface showing our new design in a first state of a dynamic image including a button image;

FIG. 2 is another front perspective view in a second state thereof;

FIG. 3 is another front perspective view in a third state thereof;

FIG. 4 is another front perspective view in a fourth state thereof; and,

FIG. 5 is another front perspective view in a fifth state thereof. The broken lines shown in the drawings are for illustrative purposes only and form no part of the claimed design.

The appearance of the transitional image sequentially transitions between the images shown in FIGS. 1-5. No ornamental aspects are associated with the process or period in which one image transitions to another image.

1 Claim, 5 Drawing Sheets

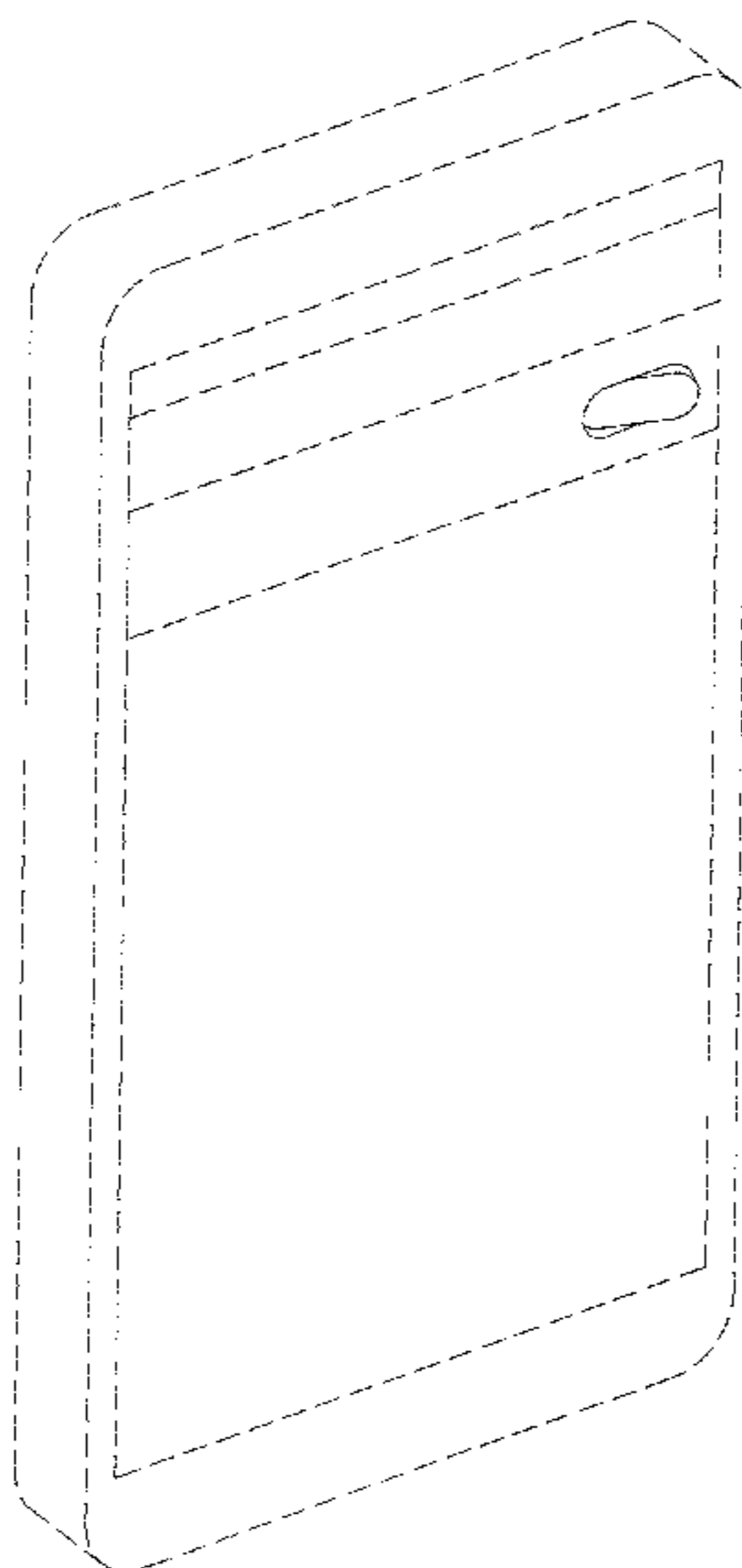


FIG. 1

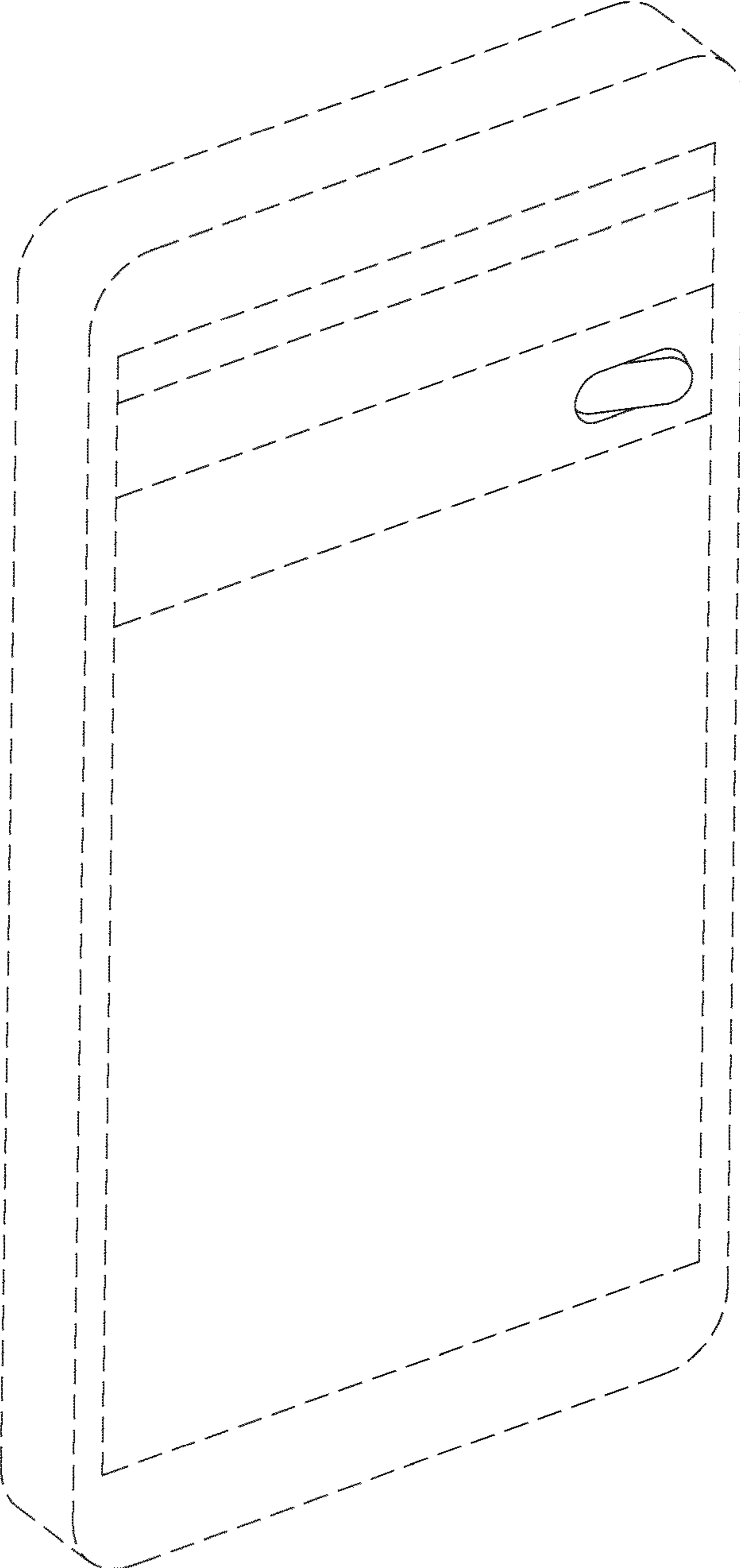


FIG. 2

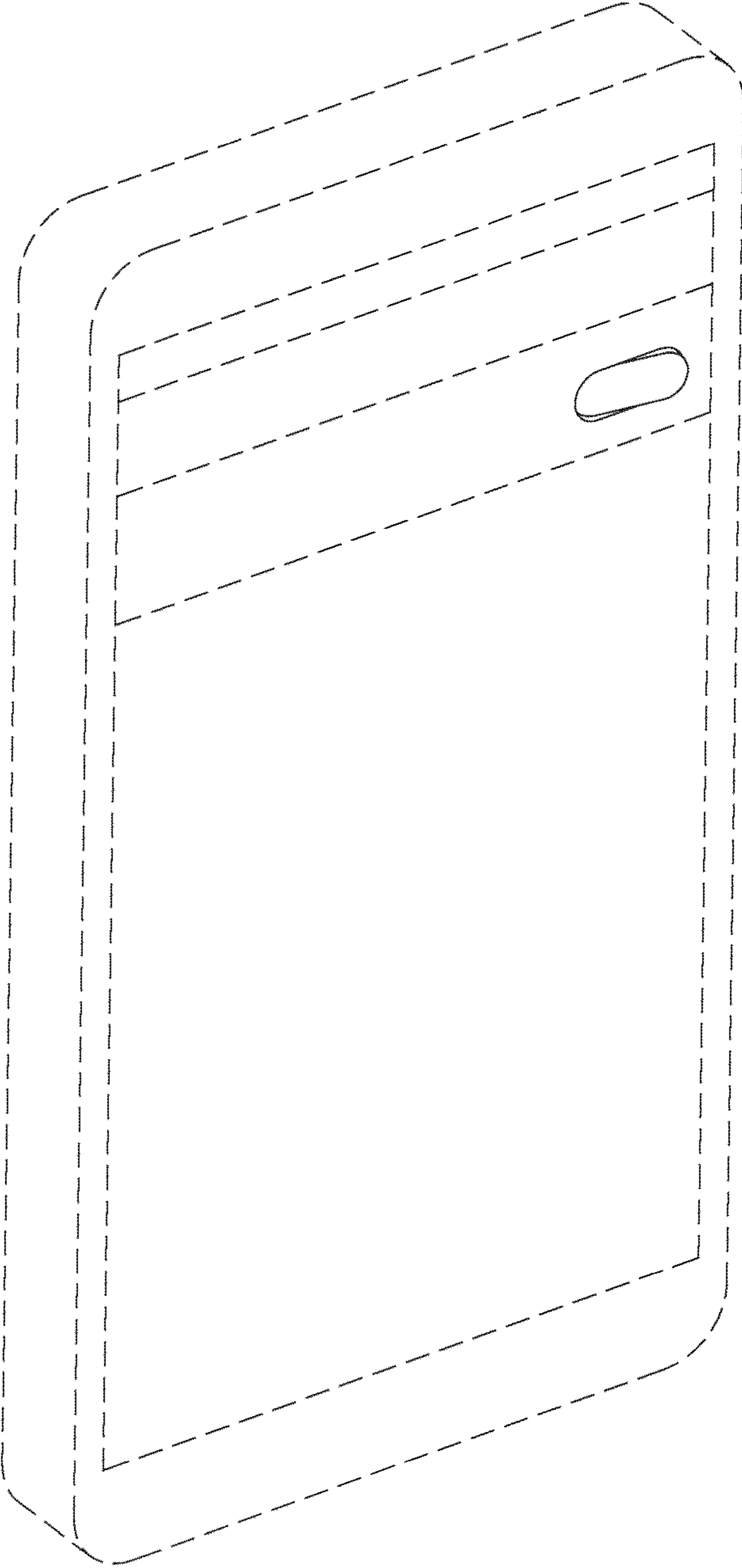


FIG. 3

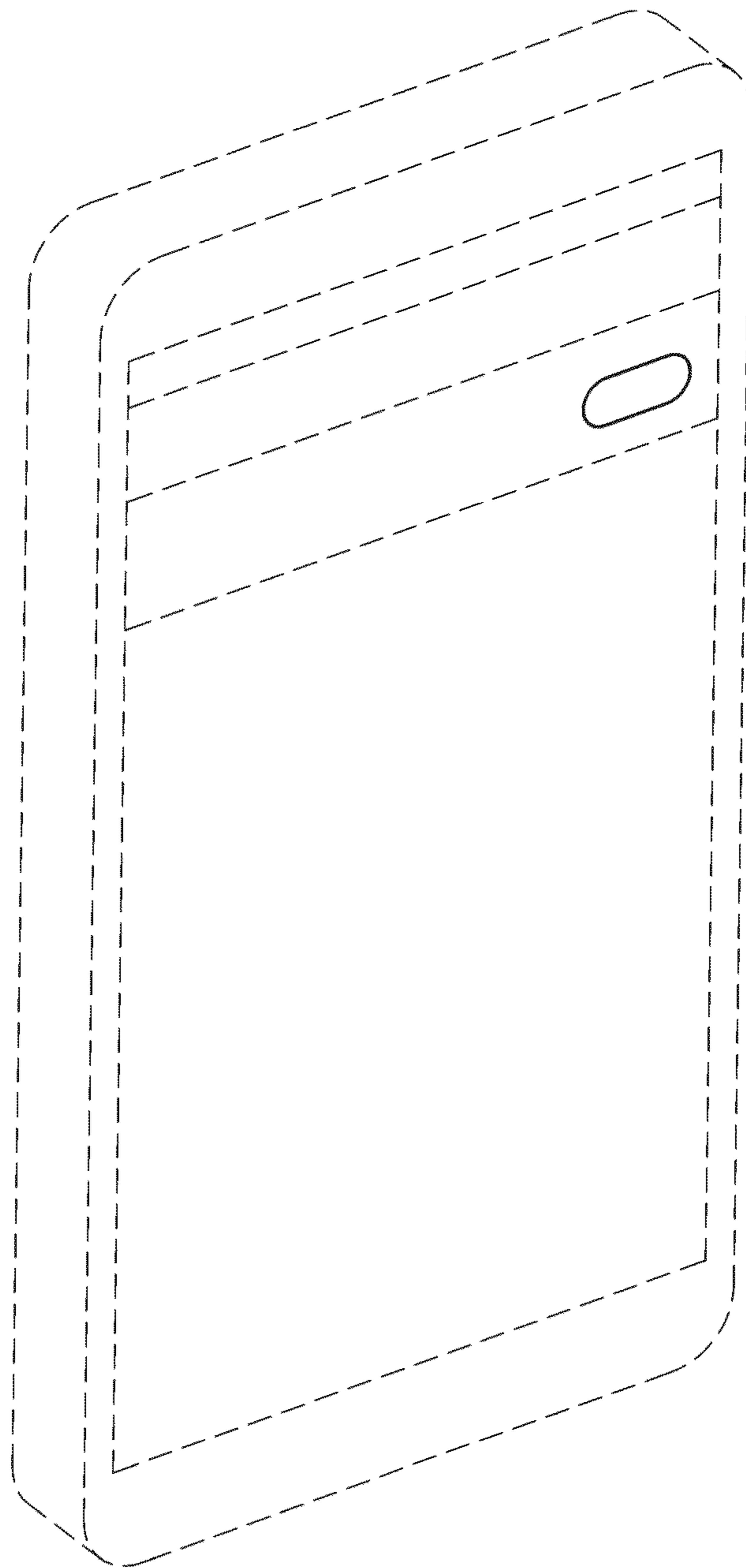


FIG. 4

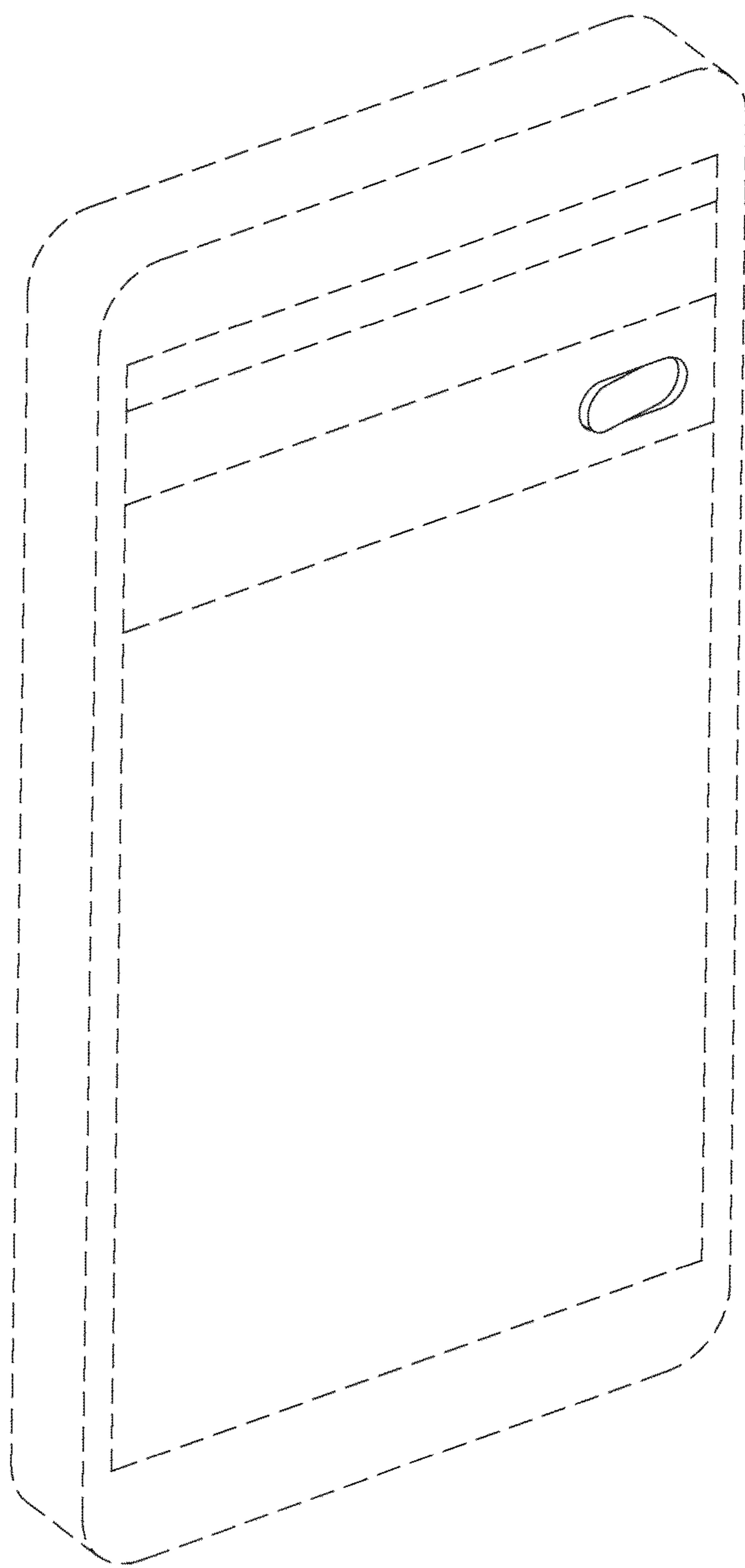


FIG. 5

