



US00D741338S

(12) **United States Design Patent**
Hoshikugi

(10) **Patent No.:** **US D741,338 S**

(45) **Date of Patent:** **** Oct. 20, 2015**

(54) **ROTARY DAMPER**

(75) Inventor: **Hiroyuki Hoshikugi**, Tokyo (JP)

(73) Assignee: **SUGATSUNE KOGYO CO., LTD.**,
Tokyo (JP)

(**) Term: **14 Years**

(21) Appl. No.: **29/431,268**

(22) Filed: **Sep. 5, 2012**

(30) **Foreign Application Priority Data**

Mar. 5, 2012 (JP) 2012-004921

(51) **LOC (10) Cl.** **14-99**

(52) **U.S. Cl.**
USPC **D14/483**

(58) **Field of Classification Search**
USPC D14/483, 299, 496, 474, 475, 477,
D14/480.5, 480.6; D8/323, 499; 464/180;
D15/143, 147, 199; 188/262, 290, 371,
188/378; 360/137, 220, 221.1, 230
CPC F16F 9/145; F16F 9/12
See application file for complete search history.

(56) **References Cited**

U.S. PATENT DOCUMENTS

D199,454 S * 10/1964 Bradbury D15/143
D364,084 S * 11/1995 Yaich D8/356

D420,688 S * 2/2000 Ichihara D15/143
D458,937 S * 6/2002 Myszka et al. D14/483
D559,248 S * 1/2008 Heshes et al. D14/480.5
D627,216 S * 11/2010 Fulginiti D8/499
D670,298 S * 11/2012 Shimozaki D14/483
D695,788 S * 12/2013 Wilkinson D15/7
2005/0006189 A1 * 1/2005 Kanno et al. 188/290
2014/0217663 A1 * 8/2014 Willems 267/196

* cited by examiner

Primary Examiner — Robert M Spear

Assistant Examiner — Kendra L Hamilton

(74) *Attorney, Agent, or Firm* — Osha Liang LLP

(57) **CLAIM**

The ornamental design for a rotary damper, as shown and described.

DESCRIPTION

FIG. 1 is a front and side perspective view of a rotary damper;
FIG. 2 is a front elevational view thereof;
FIG. 3 is a rear view thereof;
FIG. 4 is a left side view thereof, the right side view being
mirror image thereof;
FIG. 5 is a top plan view thereof, the bottom view being
mirror image thereof; and,
FIG. 6 is a sectional view, taken in the direction of line 6-6 of
FIG. 2.

1 Claim, 5 Drawing Sheets

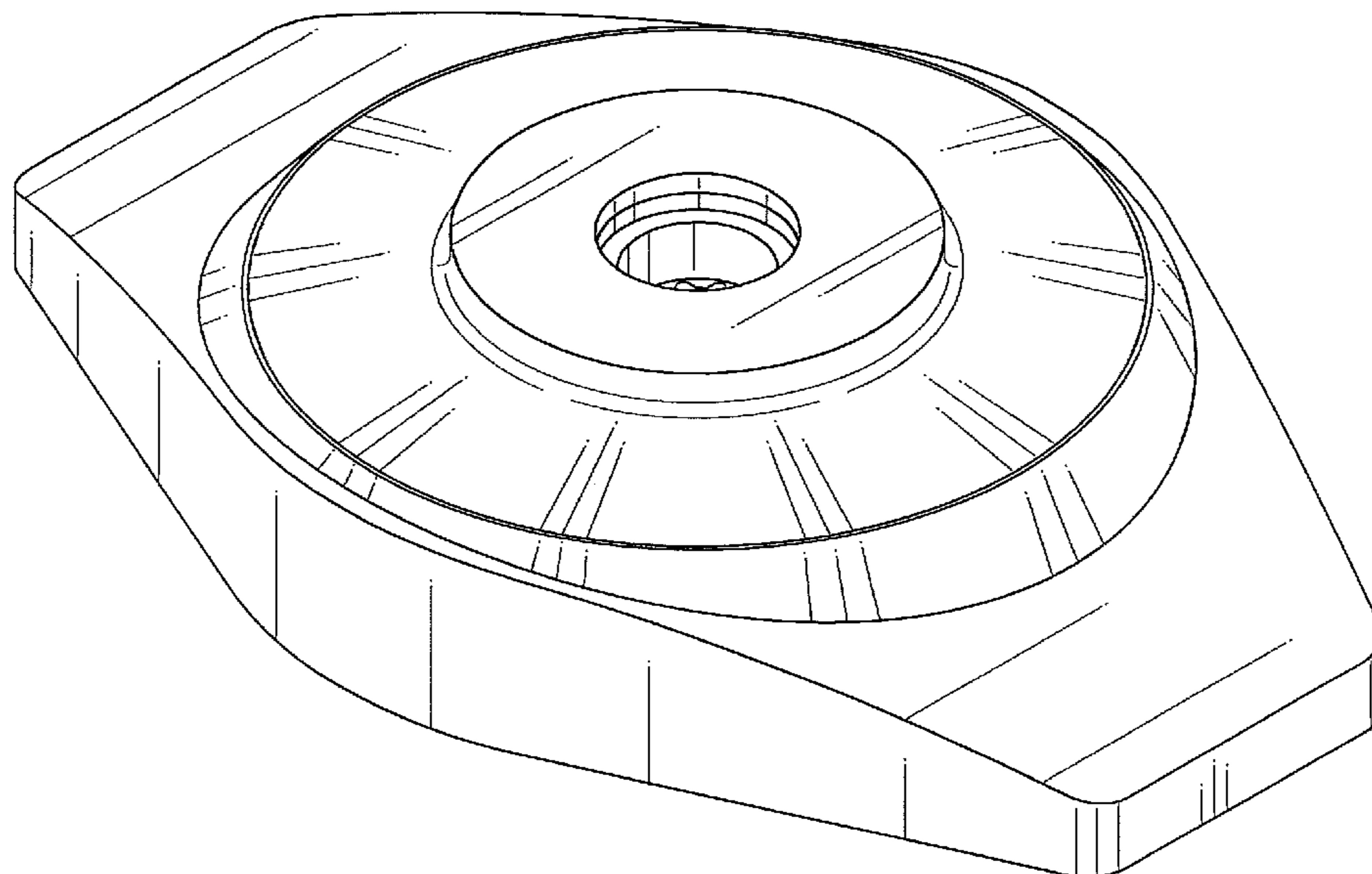


Fig. 1

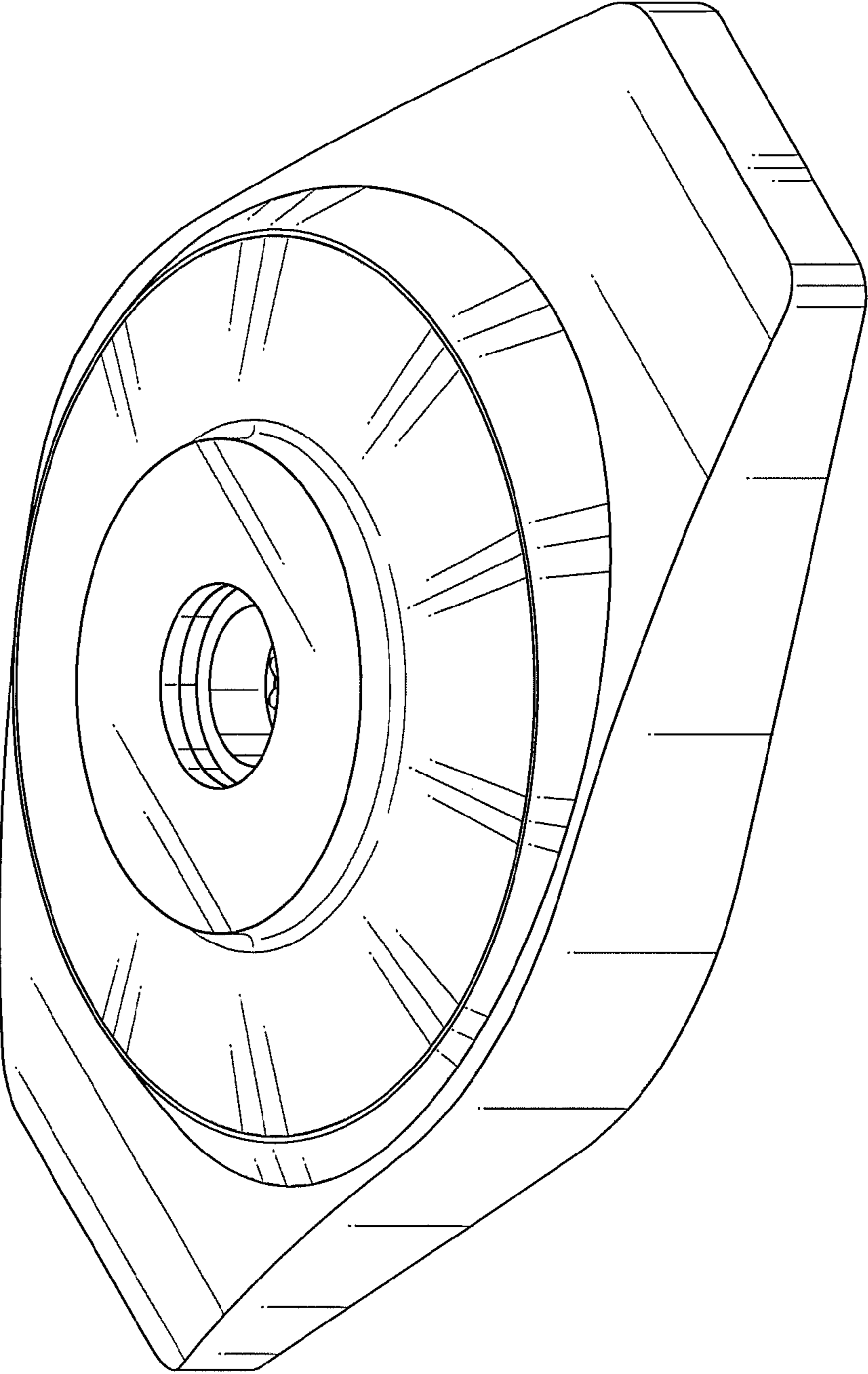


Fig. 2

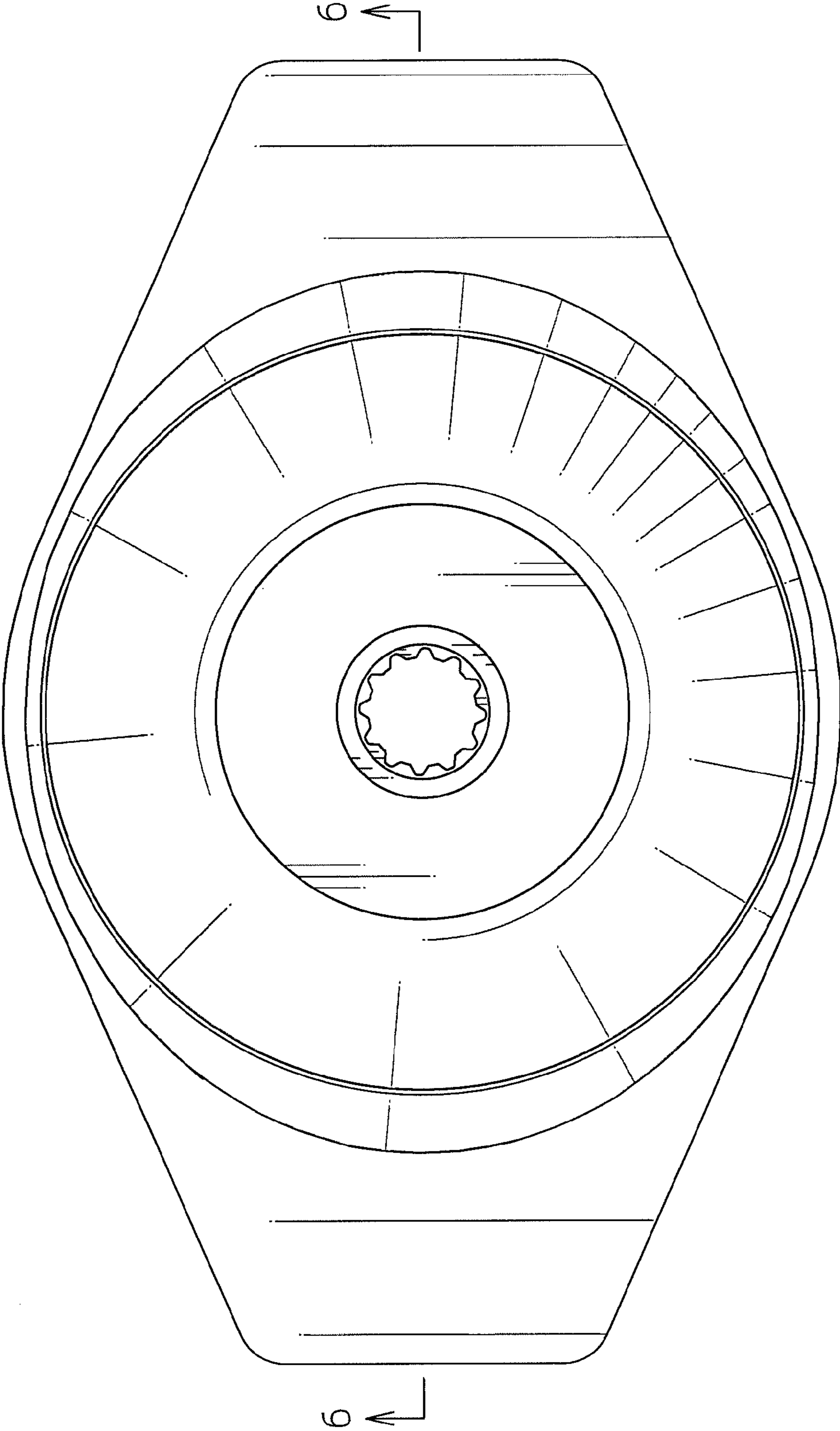
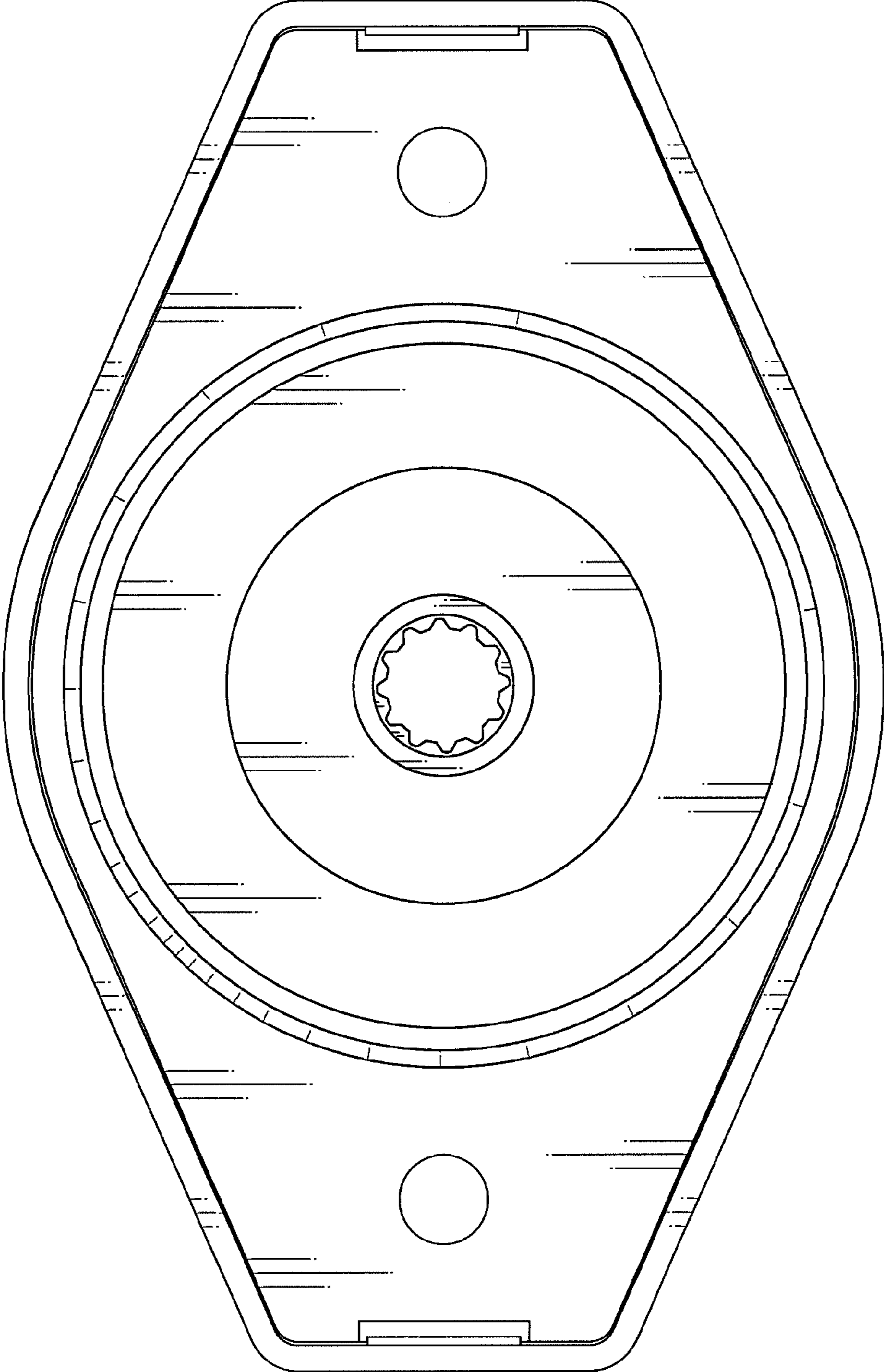


Fig. 3



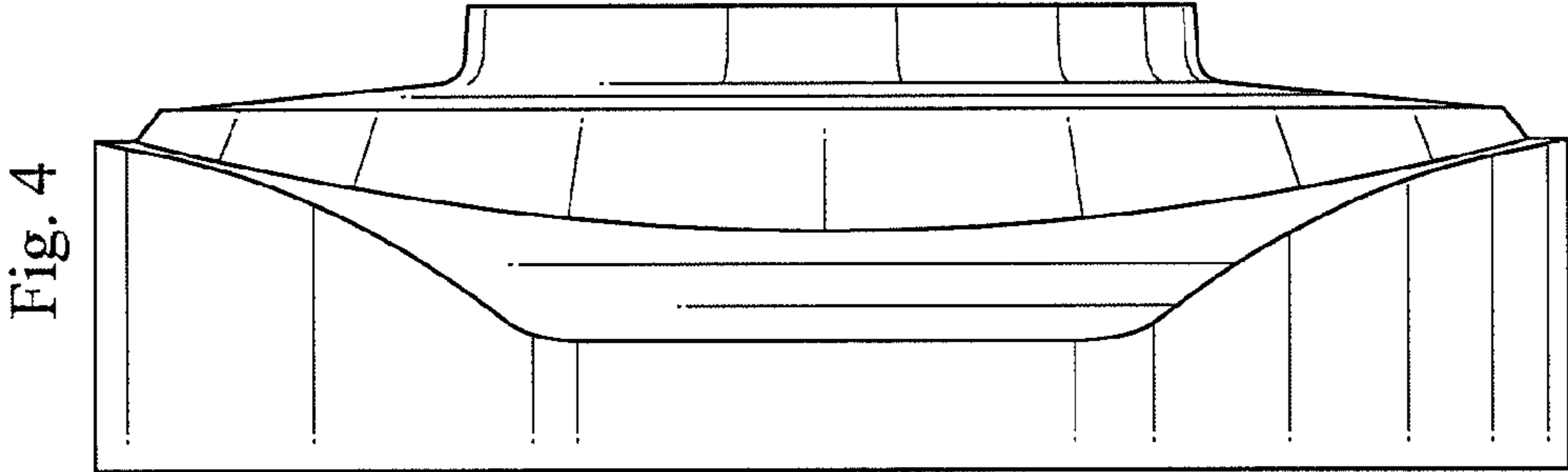


Fig. 4

Fig. 5

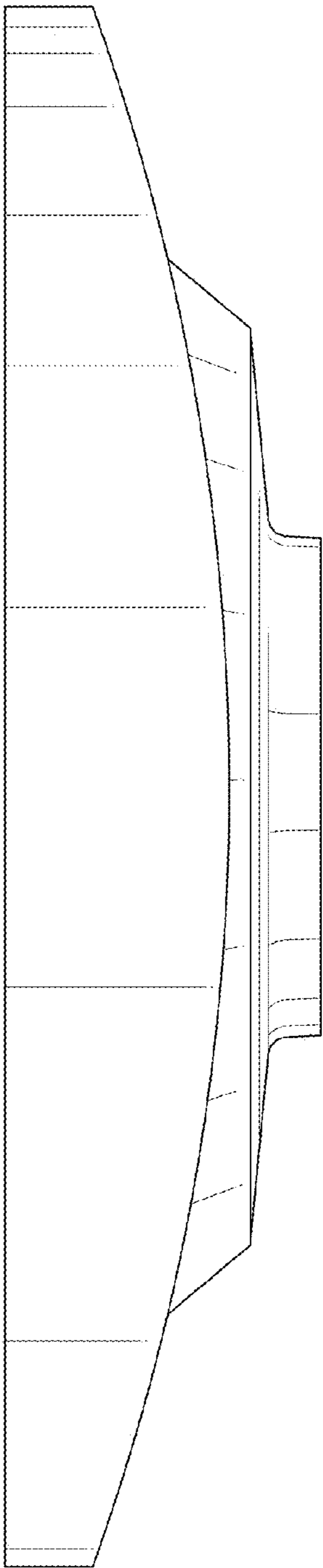


Fig. 6

