



US00D741337S

(12) **United States Design Patent**  
**Seoc**

(10) **Patent No.:** **US D741,337 S**  
(45) **Date of Patent:** **\*\* Oct. 20, 2015**

(54) **PC**

(71) Applicant: **Samsung Electronics Co., Ltd.**,  
Suwon-si, Gyeonggi-do (KR)

(72) Inventor: **Ho-Young Seoc**, Yongin-si (KR)

(73) Assignee: **SAMSUNG ELECTRONICS CO., LTD.** (KR)

(\*\*) Term: **14 Years**

(21) Appl. No.: **29/459,797**

(22) Filed: **Jul. 3, 2013**

(30) **Foreign Application Priority Data**

Jan. 8, 2013 (KR) ..... 30-2013-0001160

(51) **LOC (10) CL.** ..... **08-07**

(52) **U.S. CL.**  
USPC ..... **D14/451**

(58) **Field of Classification Search**

USPC ..... D14/371-382, 125-129, 336, 337,  
D14/447-452, 492, 335, 239, 457, 439-441,  
D14/432, 251-253; D8/313-317, 349, 354,  
D8/363, 373, 376, 380; 348/180, 184, 325,  
348/739, 825; D12/407, 415; D3/218  
CPC ..... G06F 3/0412; G06F 3/016; G06F 3/0488;  
G06F 3/011; G06F 3/038; G06F 3/03543;  
G06F 3/0338; G06F 3/0202; G06F 3/0219;  
G06F 3/0213; G06F 1/1616; G06F 3/023;  
G06F 3/04883; G02F 1/13338; G02F 1/1313;  
G02F 1/1333; G02F 1/135; G02F 1/132;  
G02F 1/133308; G02F 1/134309; G02F  
1/13718; G09G 3/3648; G06K 15/1252;  
B41J 2/465; G03F 7/70291; G02B 27/0172;  
G02B 5/30; G02B 2027/0118; G02B 27/0101;  
F16M 13/02; F16M 13/00; F16M 11/10;  
F16M 11/04; F16M 2200/08; F16M 11/2021;  
A47B 21/0314; A47B 88/044; A47B  
2021/0335; H02G 3/126; F16B 47/00; F16B  
47/006; A47G 1/17; A47K 2201/00

See application file for complete search history.

(56) **References Cited**

U.S. PATENT DOCUMENTS

3,500,973 A \* 3/1970 Bush ..... 16/114.1  
D352,280 S \* 11/1994 Calco ..... D14/390

(Continued)

*Primary Examiner* — Deanna L Pratt

*Assistant Examiner* — Katie Mroczka

(74) *Attorney, Agent, or Firm* — Cantor Colburn LLP

(57) **CLAIM**

I claim, the ornamental design for a PC, as shown and described.

**DESCRIPTION**

FIG. 1 is a front perspective view of a PC showing our new design;

FIG. 2 is a front view of thereof;

FIG. 3 is a rear view of thereof;

FIG. 4 is a left side view of thereof;

FIG. 5 is a right side view of thereof;

FIG. 6 is a top plan view of thereof;

FIG. 7 is a bottom plan view of thereof;

FIG. 8 is rear perspective view of thereof;

FIG. 9 is an additional front perspective view thereof, with a portion of a stand of the PC in an open position;

FIG. 10 is an additional front view thereof, with a portion of a stand of the PC in an open position;

FIG. 11 is an additional rear view thereof, with a portion of a stand of the PC in an open position;

FIG. 12 is an additional left side view thereof, with a portion of a stand of the PC in an open position;

FIG. 13 is an additional right side view thereof, with a portion of a stand of the PC in an open position;

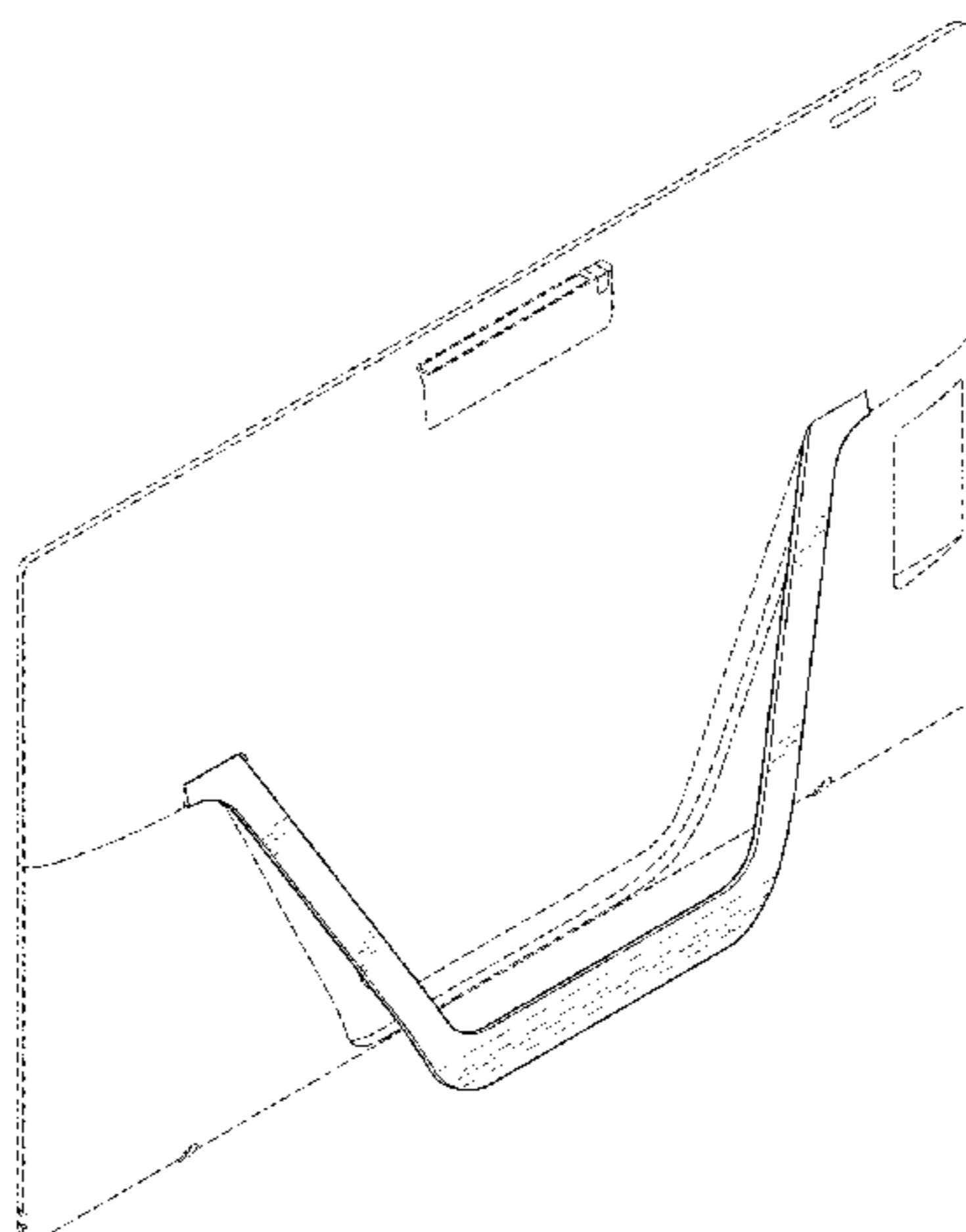
FIG. 14 is an additional top plan view thereof, with a portion of a stand of the PC in an open position;

FIG. 15 is an additional bottom plan view thereof, with a portion of a stand of the PC in an open position; and,

FIG. 16 is a rear perspective view thereof, with a portion of a stand of the PC in an open position.

The broken lines illustrating portions of the PC are for environmental purpose only and form no part of the claimed design.

**1 Claim, 16 Drawing Sheets**



(56)

**References Cited**

U.S. PATENT DOCUMENTS

D457,351 S *	5/2002	Zerman et al. ....	D6/462	D578,372 S *	10/2008	James et al. ....	D8/316
D491,943 S *	6/2004	Whitehorn et al. ....	D14/375	D606,071 S *	12/2009	Wu et al. ....	D14/336
D542,117 S *	5/2007	Fields .....	D8/316	D684,981 S *	6/2013	Chang et al. ....	D14/451
D569,704 S *	5/2008	Ricereto .....	D8/315	D718,604 S *	12/2014	Boo et al. ....	D8/315
				D719,008 S *	12/2014	Han .....	D8/315
				8,922,995 B2 *	12/2014	Su .....	361/679.59
				8,950,725 B2 *	2/2015	Huang et al. ....	248/558

\* cited by examiner

FIG. 1

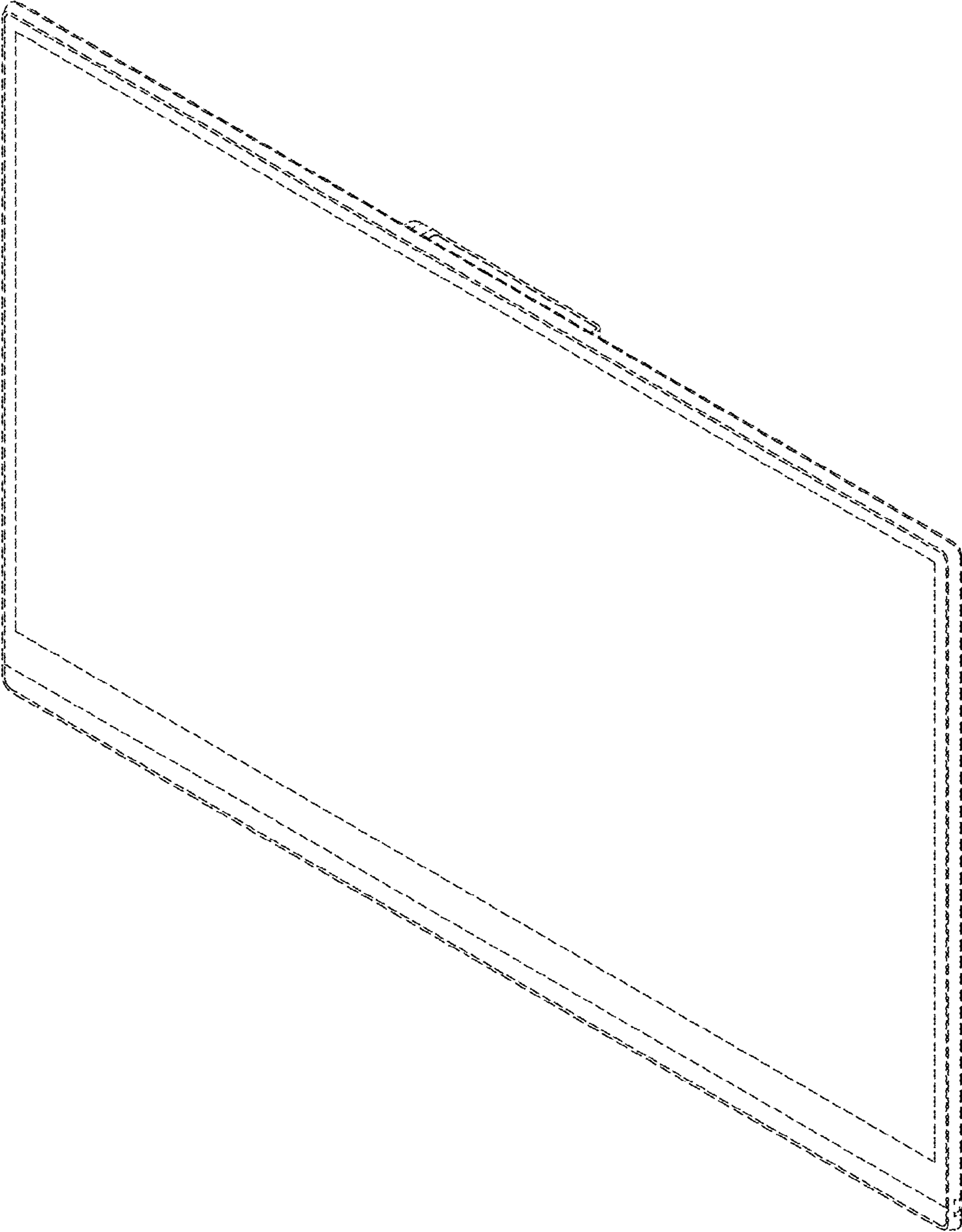


FIG. 2



FIG. 3

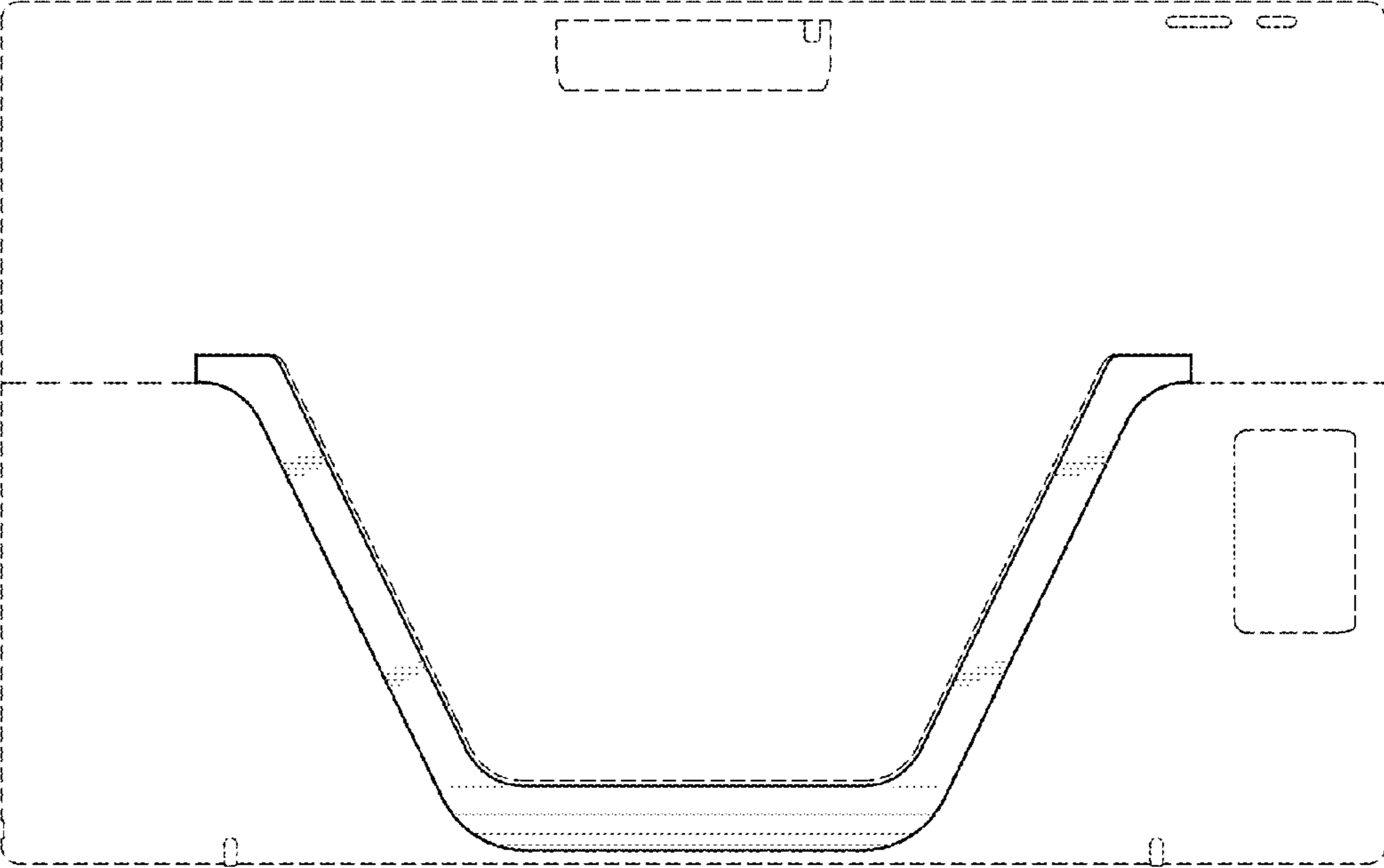


FIG. 4



FIG. 5



FIG. 6

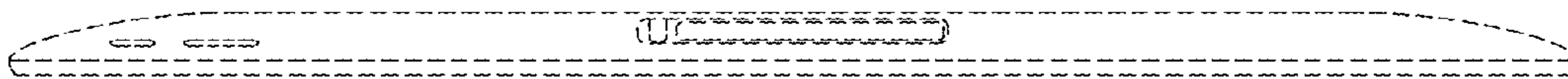




FIG. 7

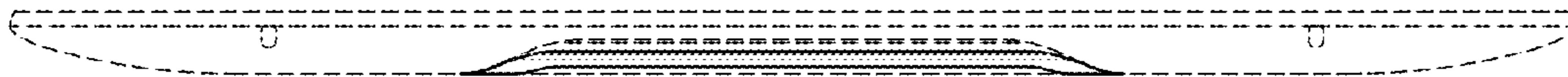


FIG. 8

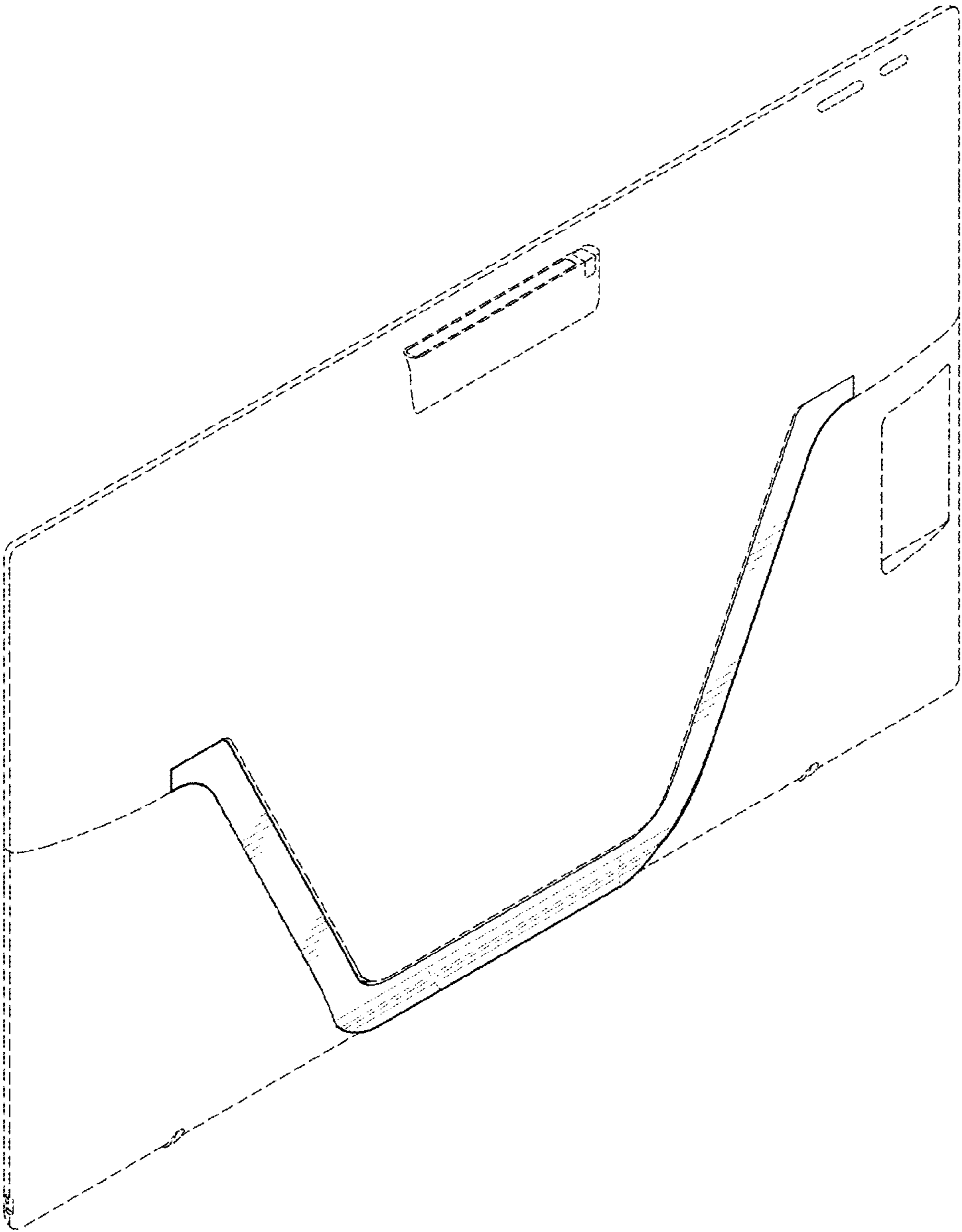


FIG. 9

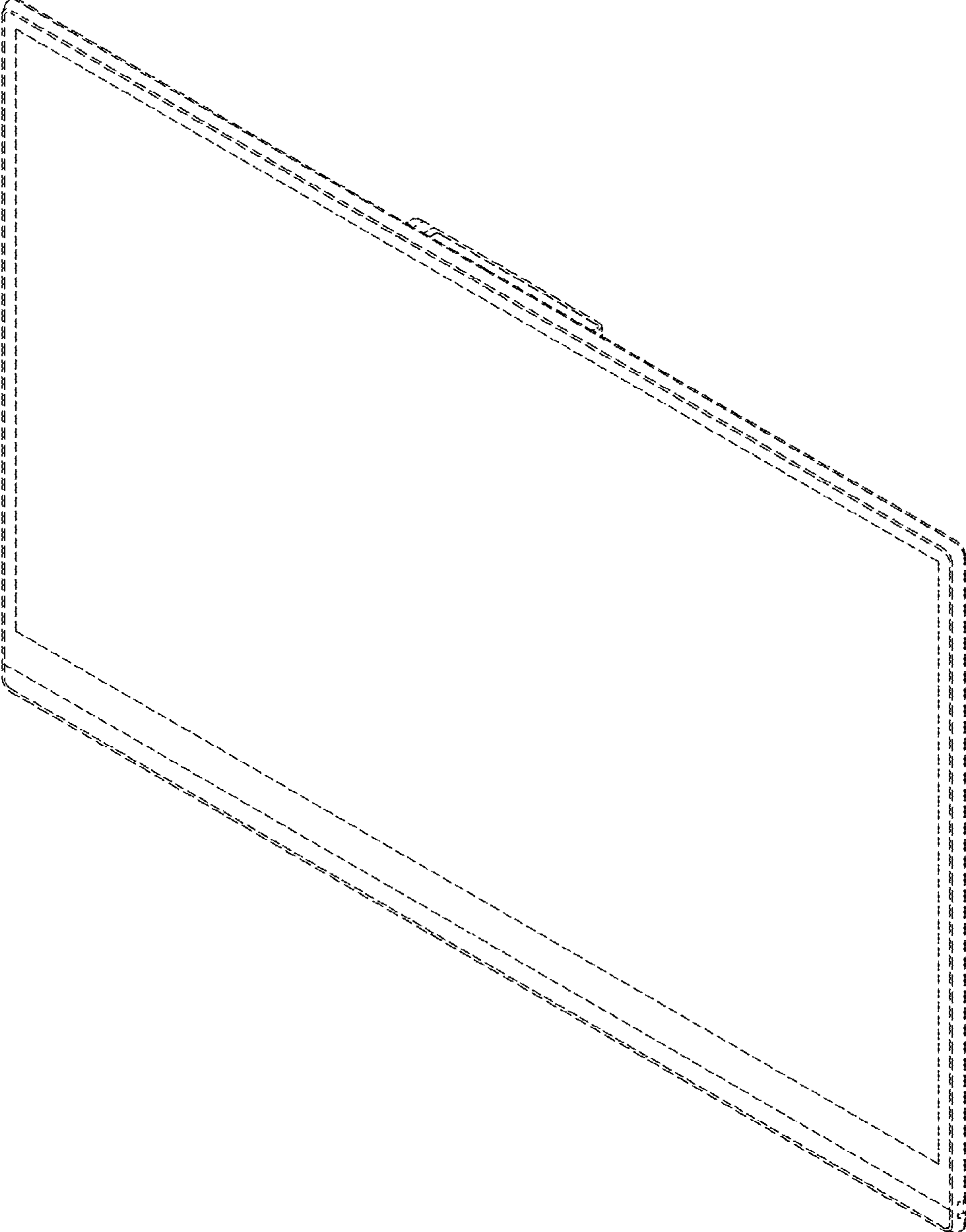


FIG. 10

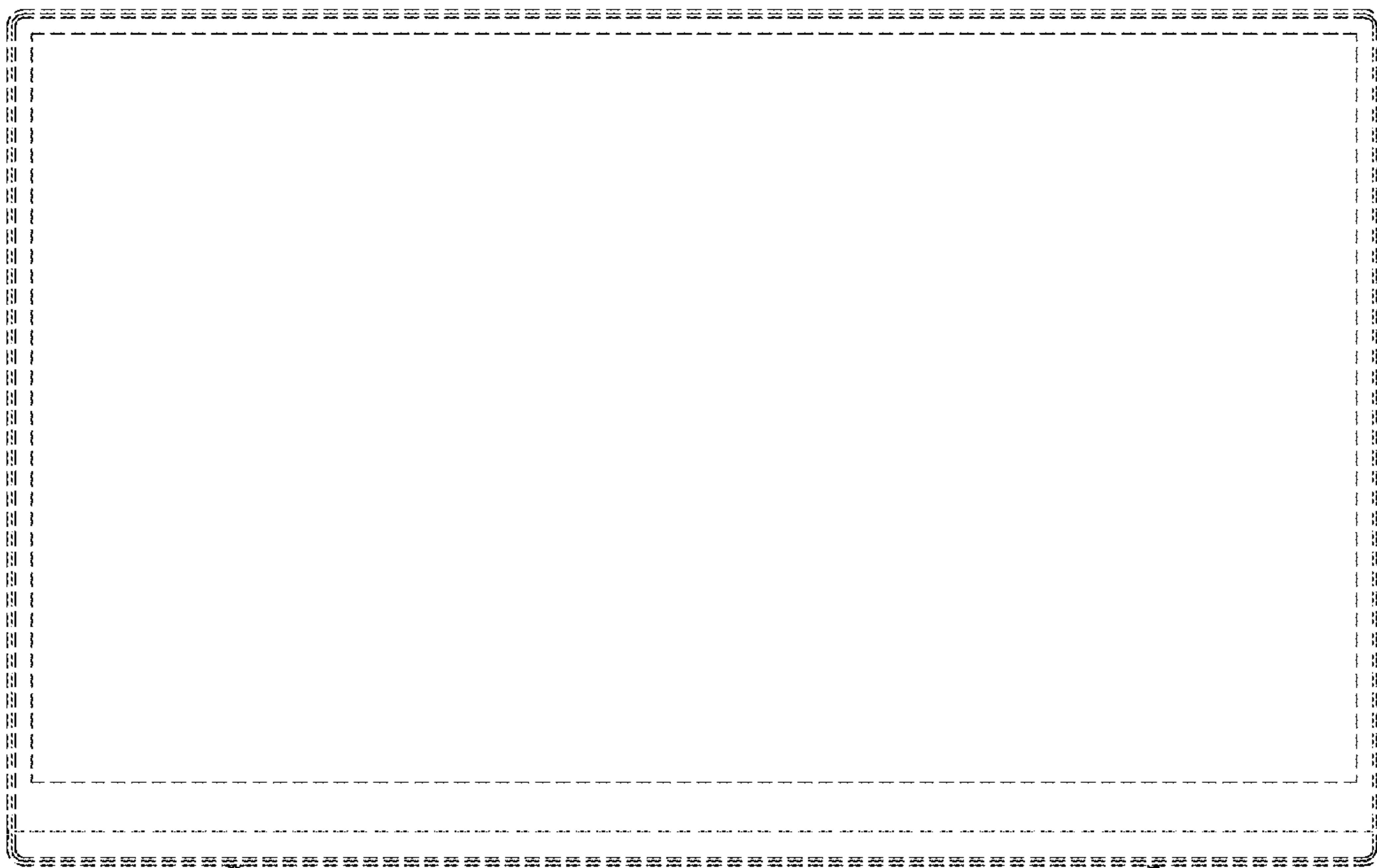


FIG. 11

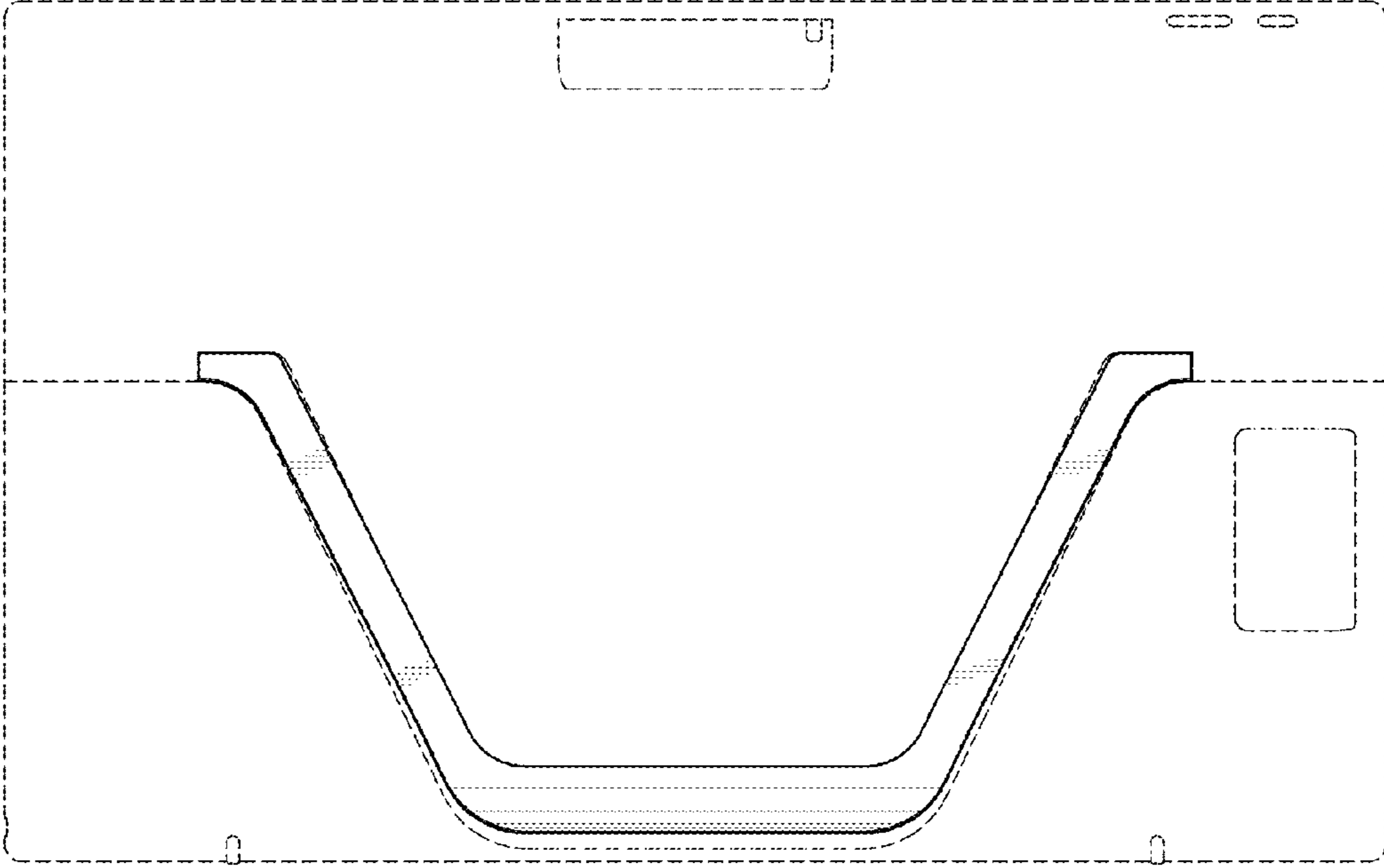


FIG. 12



FIG. 13

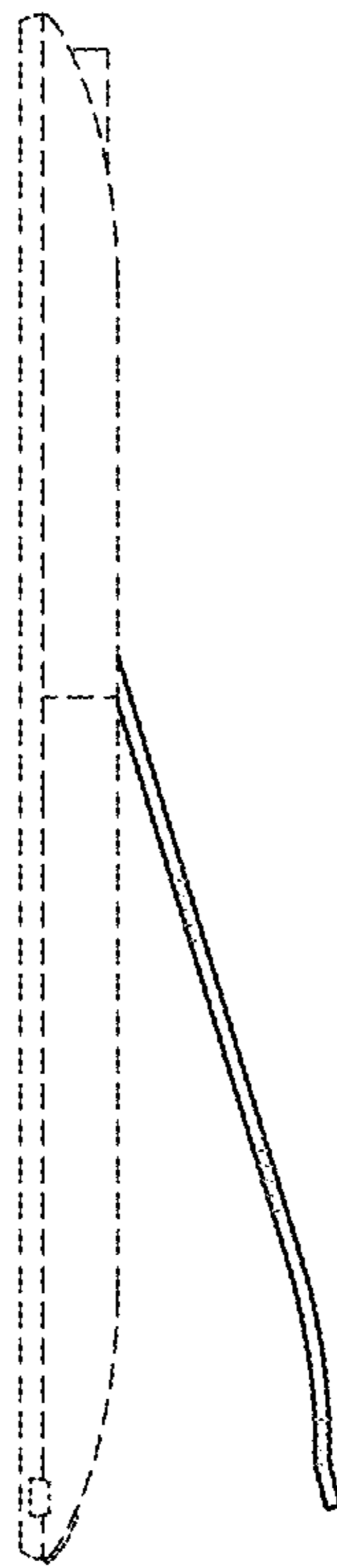


FIG. 14

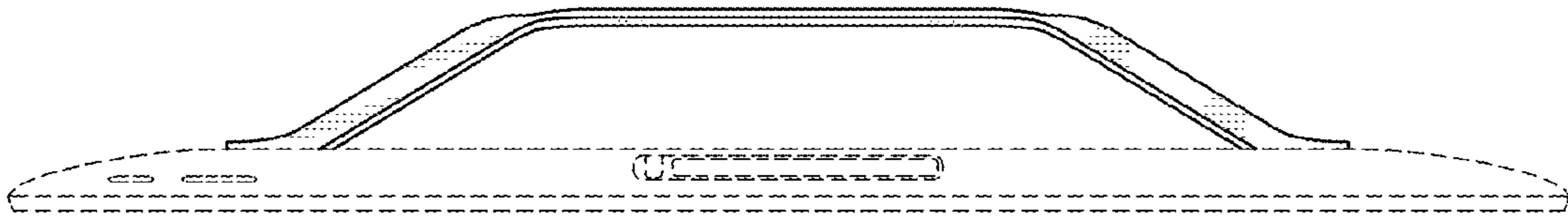




FIG. 15

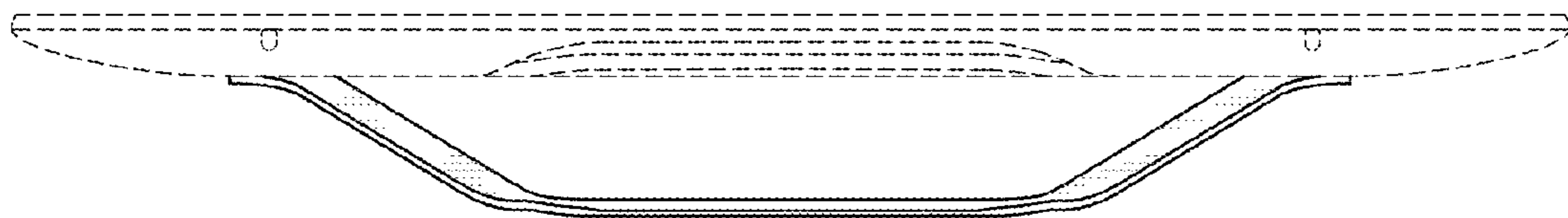


FIG. 16

